

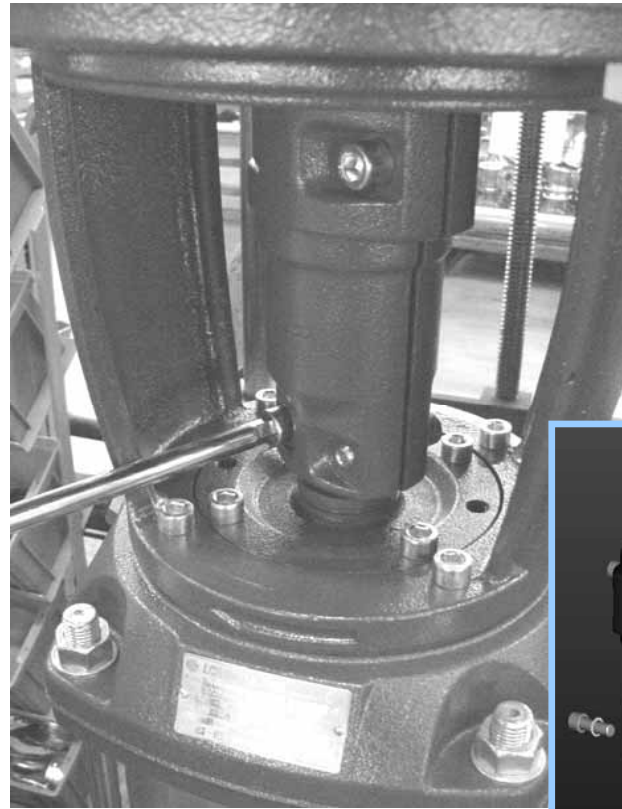
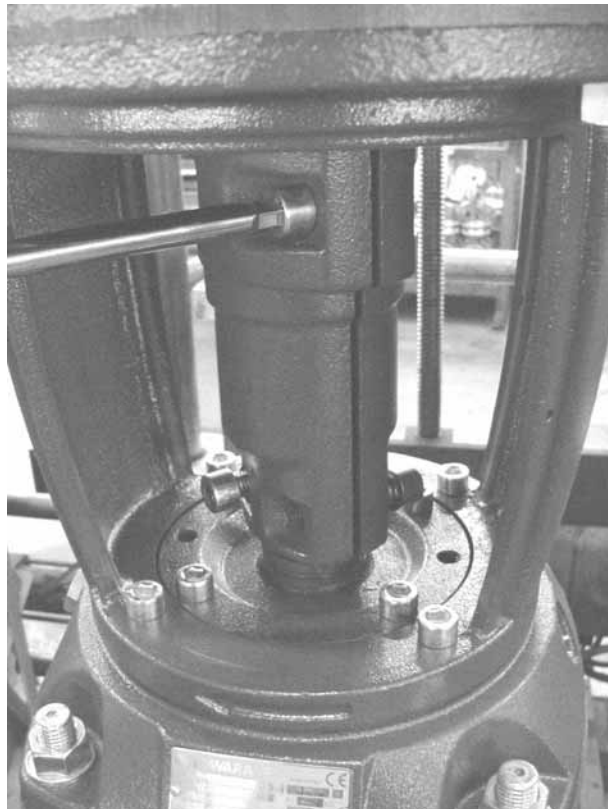
***High - lights***

**SV 33-92 series service**  
***Mechanical seal replacement***

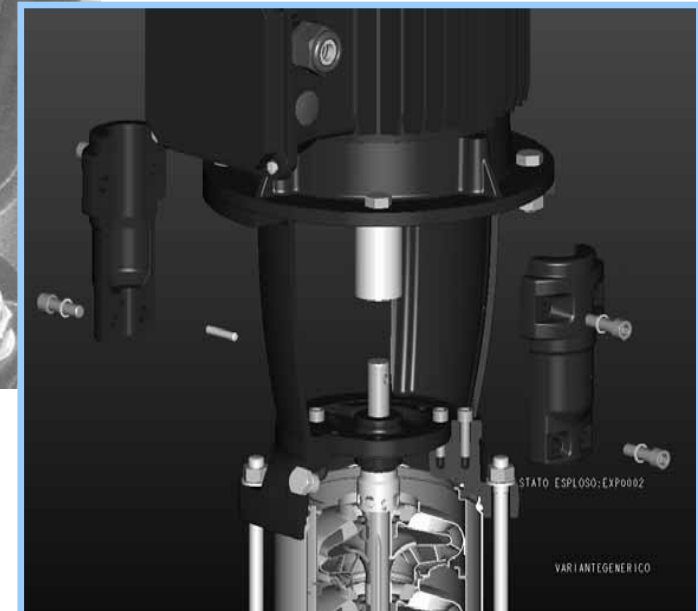
**NOTE:** to replace the mechanical seal is not necessary to remove the motor from the pump

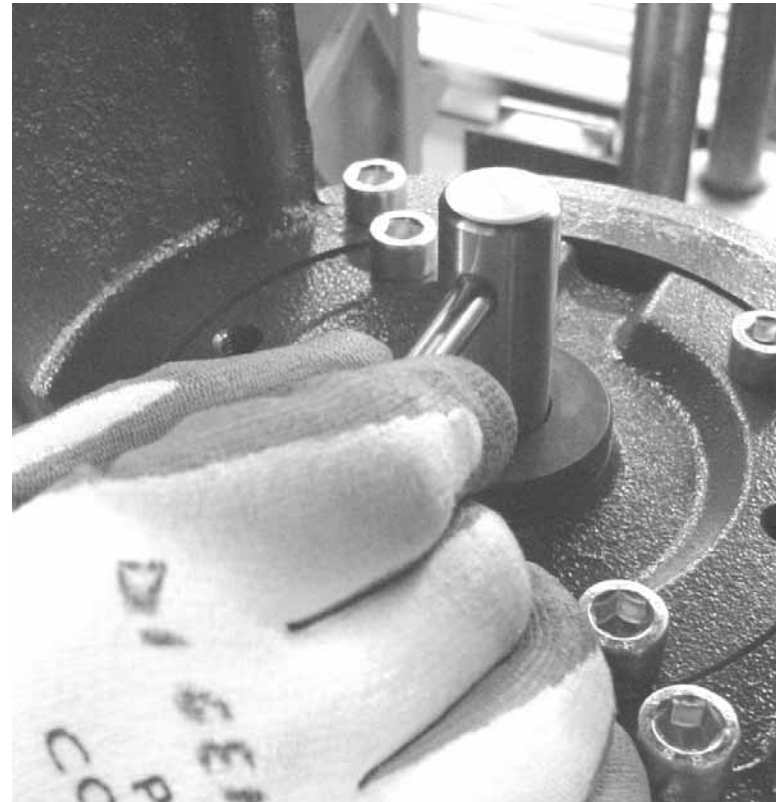


**Removal of coupling guard**

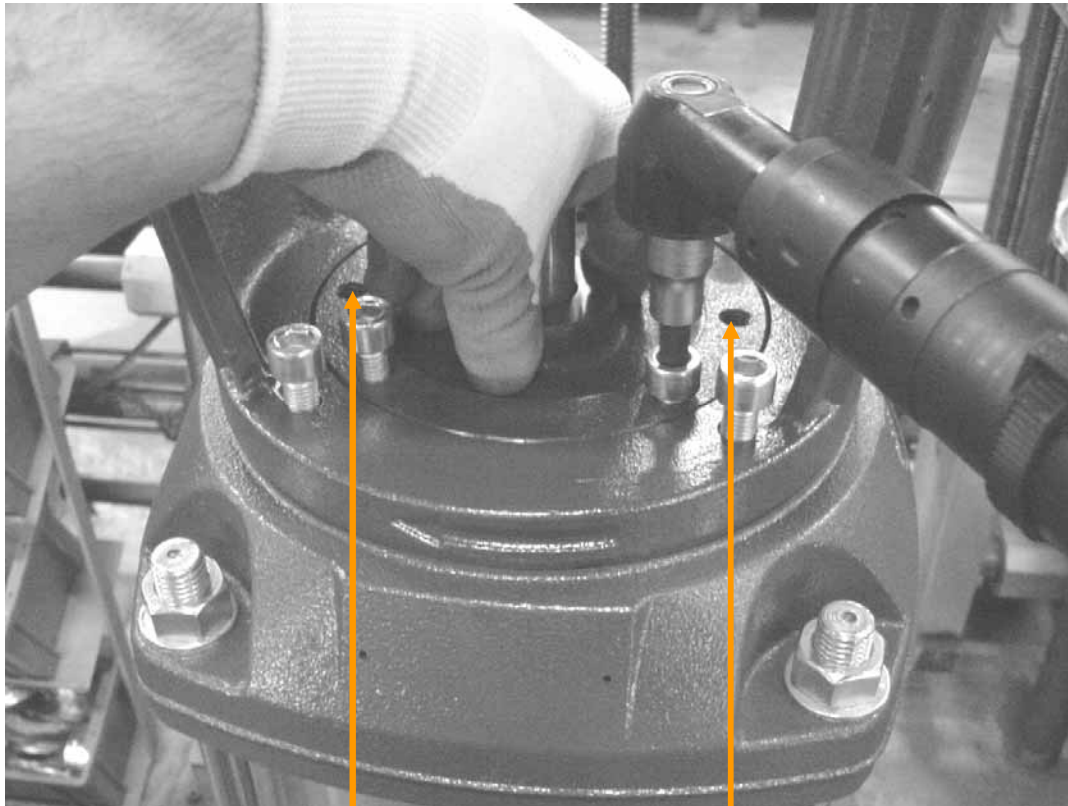


**Removal of coupling**



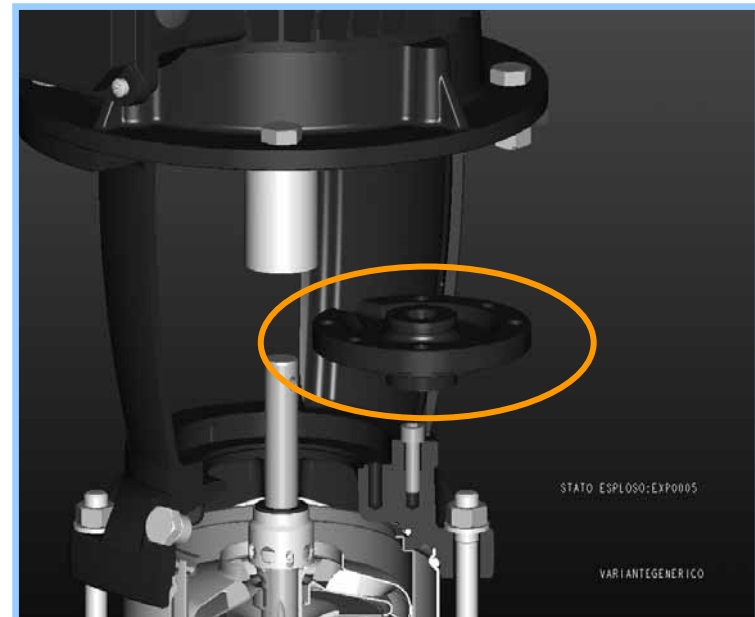


**Removal of coupling and pin**

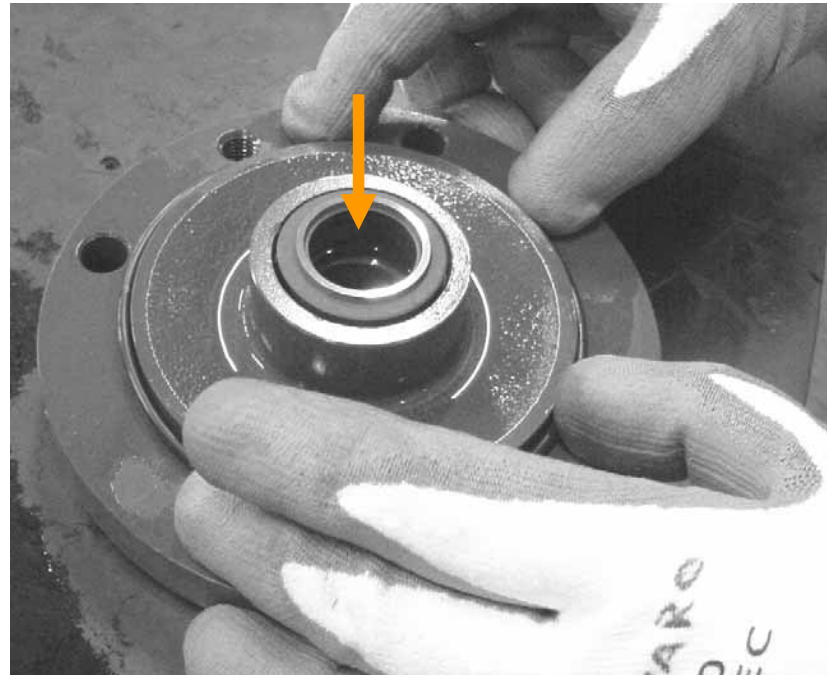


Additional holes for extractor

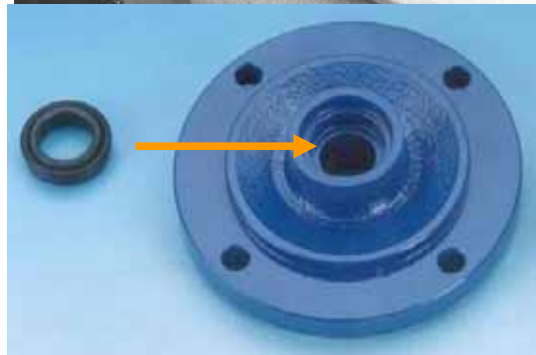
## Removal of seal housing disc







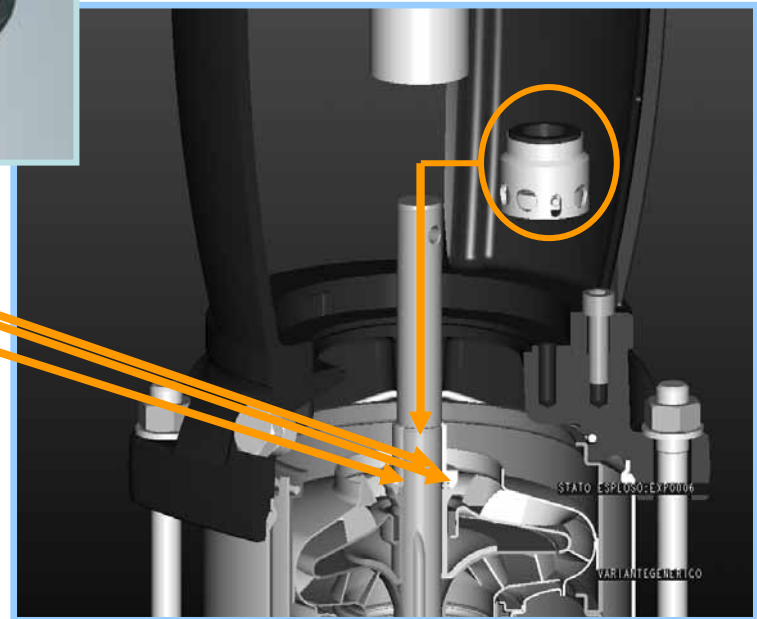
**Replacement of stationary part of mechanical seal**





**Drive pins**

**Drive holes**

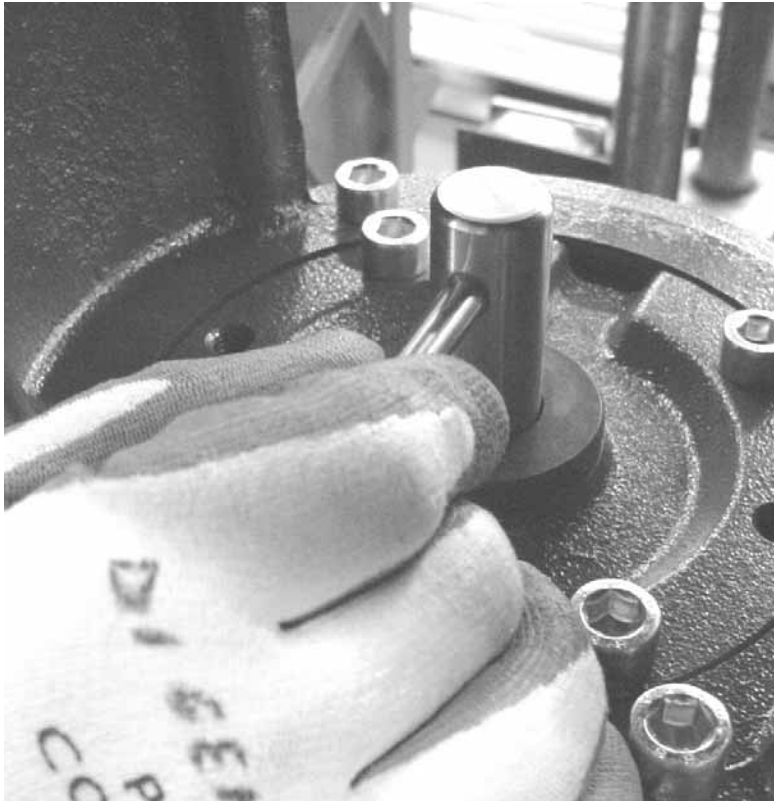


**Replacement of rotational part  
of mechanical seal (no tools in this operation)**  
Be careful to insert correctly the 3 driving pins  
in the corresponding holes in the shaft spacer



**Seal housing disc installation**  
**Cross-tightening required.**

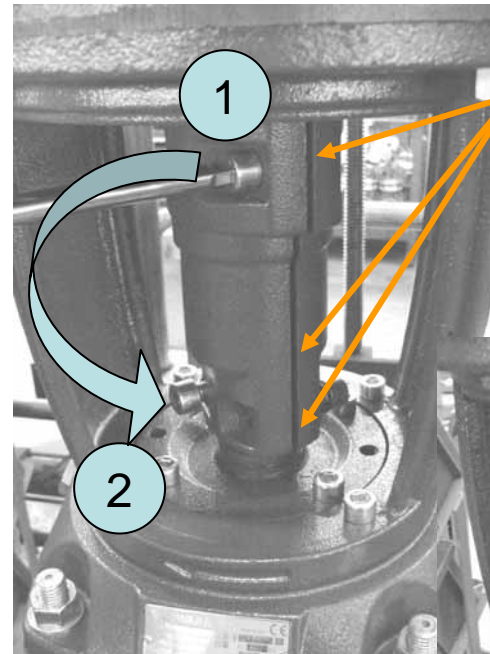
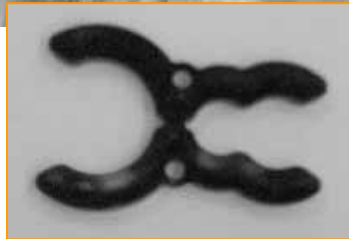




**Pin and coupling installation**

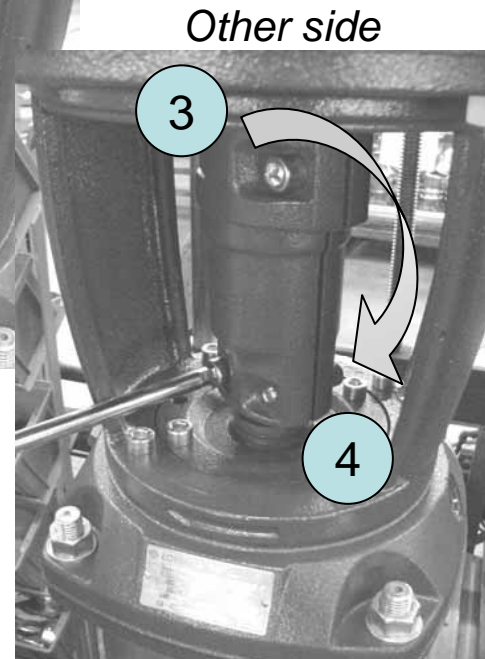


**Coupling positioning  
– 5mm spacer** →



**Coupling tightening.  
Cross-tightening  
required.**

**Keep gap equal**



*Other side*



**Coupling guard installation**