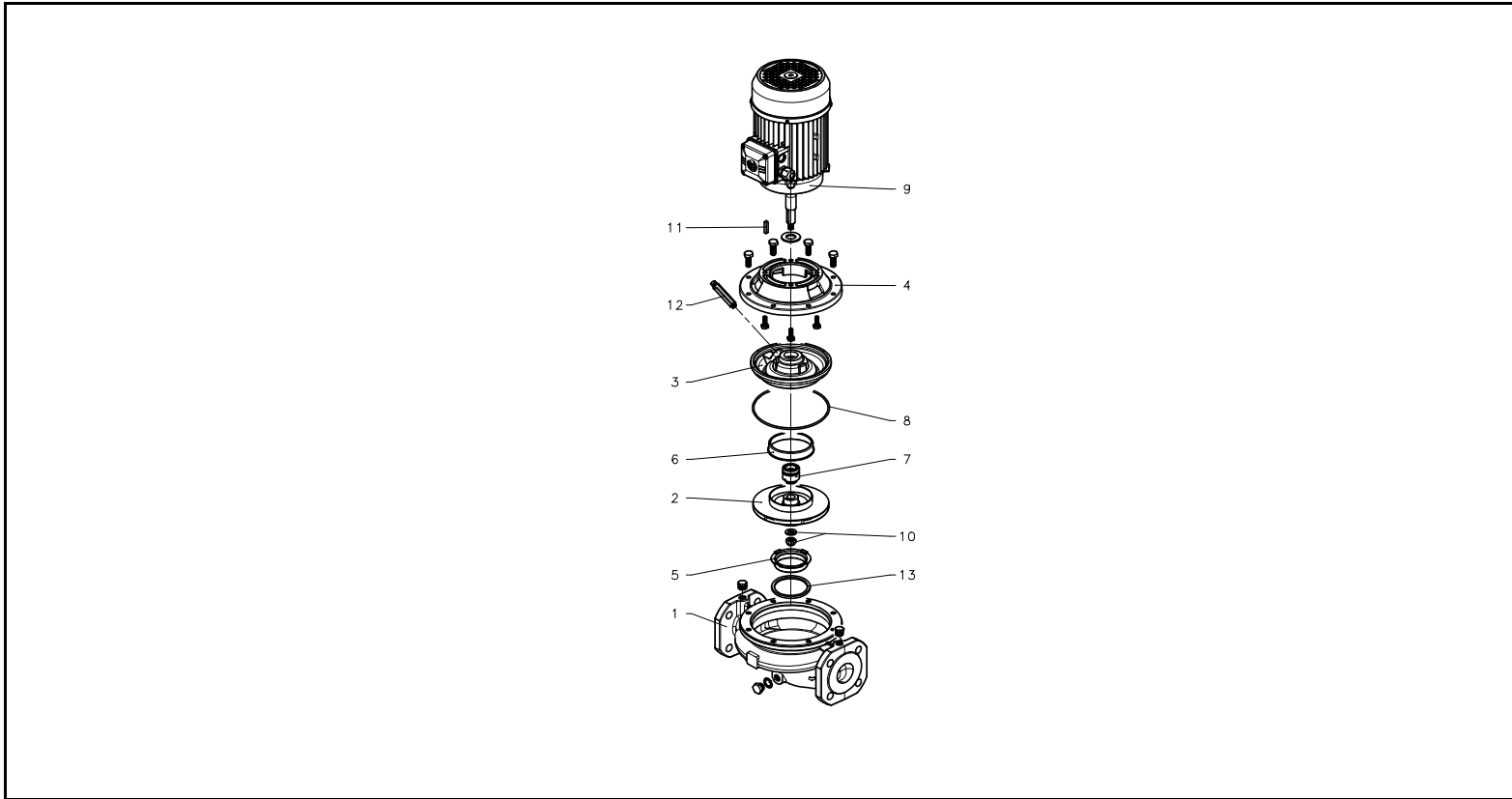


xylem

FCE 65 Serie-Series 60 Hz



 **LOWARA**

Item N.	Descrizione - Description	Q.tà Q.ty	Codice - Code								
			FCE65-125/306	FCE65-125/406	FCE65-160/556	FCE65-160/756	FCE65-200/926	FCE65-200/1106	FCE65-250/1506	FCE65-250/1856	FCE65-250/2206
			102250290 3.0 kW	102250300 4.0 kW	102250310 5.5 kW	102250320 7.5 kW	102250330 9.2 kW	102250340 11.0 kW	102250350 15.0 kW	102250360 18.5 kW	102250370 22.0 kW
1	Corpo pompa/rasam./tappi - Pump body/wear ring/plugs	1	151350300				151350320				
* 2	Girante - Impeller	1	150785080	150785120	150785180	150785250	150785300	150785450	150785570	150785590	150785630
3	Disco portatenuta-C/rasam. - Seal housing-C/wear ring	1	160150221		150150051		150150071		150150091		
4	Lanterna - Adaptor	1	161453131	161453141			161452881		161452841		
* 5	Rasamento - Wear ring	1	168601511								
* 6	Controrasamento - Counterwear ring	1	-				465020201				
* 7	Tenuta meccanica - Mechanical seal	1	002232204				002232801				
* 8	OR - OR	1	002221777				002221788				
** 9	Motore completo - Entire motor	1	130647063	130647105	130647137	130647143	130647253	130647263	130647303	130647313	130647323
	Tipo - Type		LM90B14/S2/330	LM112RB14S2/340	LM112B14S2/355	LM112B14S2/375	LM132B14S2/392	LM132B14S2/3110	LM160B14S3/3150	LM160B14S3/3185	LM160B14S3/3220
10	Dado fissaggio girante - Impeller lock nut	1	002633002				002633004				
	Rondella - Washer	1	002635072				002635074				
11	Linguetta - Key	1	002650361				002650392				
12	Valvola di sfiato - Air bleed valve	1	159300050								
13	Anello distanziale - Spacer ring	1	168601560								

\* Parti di ricambio consigliate - Recommended spare parts

Ed. 18-04-2003