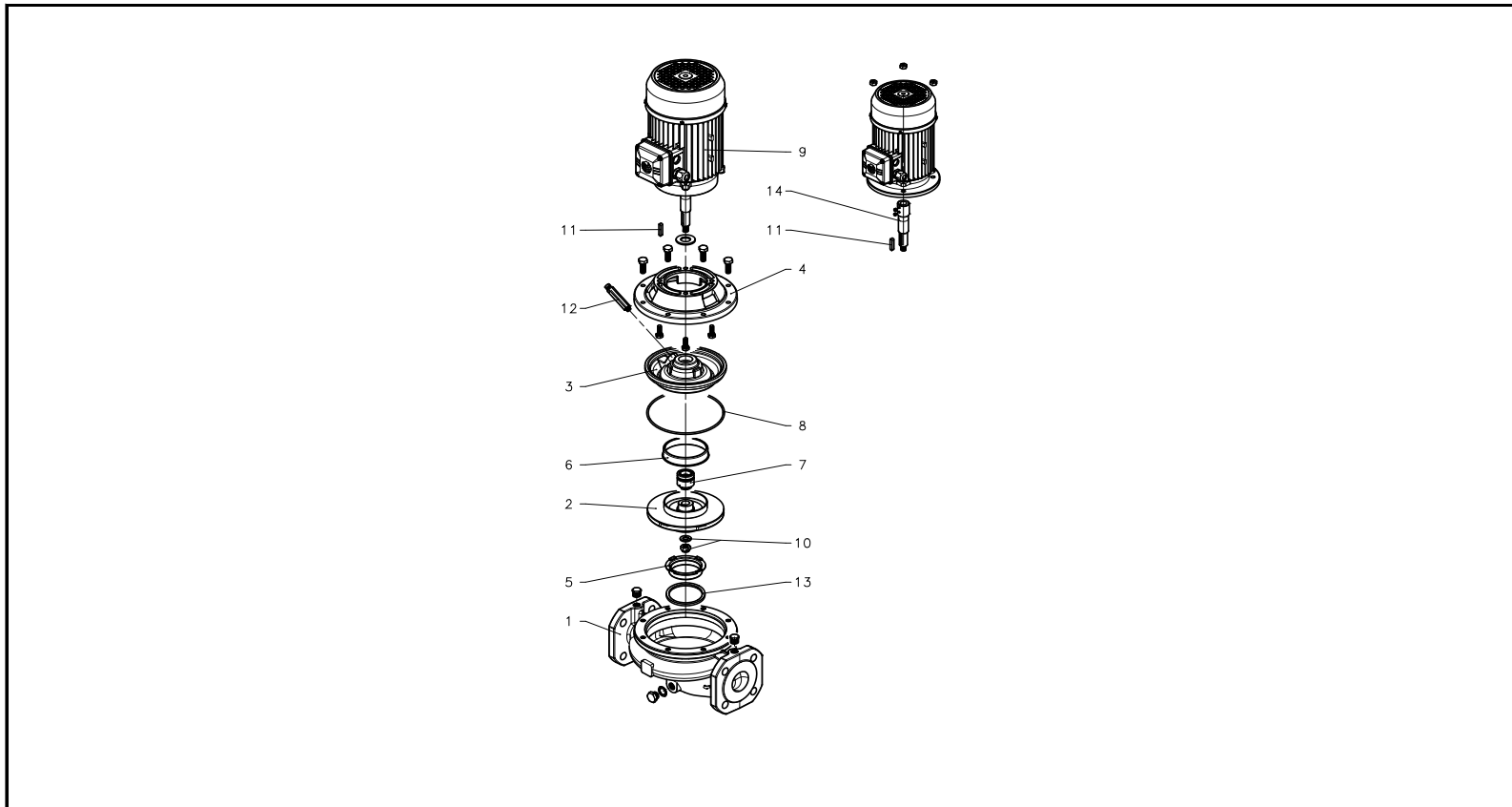


xylem

FCE4 Serie-Series 60 Hz



 **LOWARA**

P. 175/A - 179/A

Item N.	Descrizione - Description	Q.tà Q.ty	Codice - Code							
			FCE440-125/026/A	FCE440-160/026/A	FCE440-160/036/A	FCE440-200/056/A	FCE440-200/076/C	FCE440-250/116/P	FCE440-250/156/P	
			107471610	107471620	107471630	107471640	104393300	101215100	101215110	
			0.25 kW	0.25 kW	0.37 kW	0.55 kW	0.75 kW	1.10 kW	1.50 kW	
1	Corpo pompa/Rasam./Tappi - Pump body/Wear ring/Plugs	1	151350220				151350240			
* 2	Girante - Impeller	1	150783100	150783200	150783300	150783450	150783550	150783650	150783700	
3	Disco portatenuta-C/Rasam. - Seal housing-C/Wear ring	1	160150201	150150041			150150071			
4	Lanterna - Adaptor	1	161430521				161452881			
* 5	Rasamento - Wear ring	1	168601491							
* 6	Controrasamento - Counterwear ring	1	-	465020201						
* 7	Tenuta meccanica - Mechanical seal	1	002232204							
* 8	OR - OR	1	002221774				002221788			
** 9	Motore completo - Entire motor	1	107230620	107230680	107230830	107241533	50005PS00	50006PS00		
	Tipo - Type		SM471B5/302	SM471B5/304	SM490RB5S2/305	LLM490RB5S2/307 IE2	PLM490B5S2/311 IE2	PLM490B5S2/315 IE2		
10	Dado fissaggio girante - Impeller lock nut	1 + 1	002633002							
	Rondella - Washer		002635072							
11	Linguetta - Key	1	002650361							
12	Valvola di sfiato - Air bleed valve	1	159300050							
13	Anello distanziale - Spacer ring	1	168601540							
14	Giunto - Coupling	1	167600600							

* Parti di ricambio consigliate - Recommended spare parts

Ed. 14-05-2014 -A

Item N.	Descrizione Description	Q.tà Q.ty	Codice - Code							
			FCE450-125/026/A	FCE450-125/036/A	FCE450-160/056/A	FCE450-200/076/C	FCE450-200/116/P	FCE450-250-/156/P	FCE450-250/226/P	
			107471670	107471680	107471690	104393320	101215210	101215240	101215250	
			0.25 kW	0.37 kW	0.56 kW	0.75 kW	1.1 kW	1.5 kW	2.2 kW	
1	Corpo pompa/Rasam./Tappi - Pump body/Wear ring/Plugs	1	151350260				151350280			
* 2	Girante - Impeller	1	150784050	150784130	150784200	150784300	150784400	150784710	150784783	
3	Disco portatenuta-C/Rasam. - Seal housing-C/Wear ring	1	160150201	150150041		150150071			150150091	
4	Lanterna - Adaptor	1	161430521		161430511	161452881			161452841	
* 5	Rasamento - Wear ring	1	168601500							
* 6	Controrasamento - Counterwear ring	1	-	465020201						
* 7	Tenuta meccanica - Mechanical seal	1	002232204							002232801
* 8	OR - OR	1	002221774				002221788			
** 9	Motore completo - Entire motor	1	107230620	107230680	107230830	107241533	50005PS00	50006PS00	50010PT00	
	Tipo - Type		SM471B5/302	SM471B5/304	SM490RB5S2/305	LLM490RB5S2/307 IE2	PLM490B5S2/311 IE2	PLM490B5S2/315 IE2	PLM4100B5S3/322 IE2	
10	Dado fissaggio girante - Impeller lock nut	1	002633002							002633004
	Rondella - Washer	1	002635072							002635074
11	Linguetta - Key	1	002650361							002650392
12	Valvola di sfiato - Air bleed valve	1	159300050							
13	Anello distanziale - Spacer ring	1	168601550			168601590		168601550		
14	Giunto - Coupling	1	167600600							

* Parti di ricambio consigliate Recommended spare parts

Ed. 14-05-2014 -A

Item N.	Descrizione - Description	Q.tà Q.ty	Codice - Code							
			FCE465-125/036/A	FCE465-125/056/A	FCE465-160/076/C	FCE465-160/116/P	FCE465-200/156/P	FCE465-250/226/P	FCE465-250/306/P	
			107471720	107471730	104393340	101215320	101215340	101215360	101215370	
			0.37 kW	0.55 kW	0.75 kW	1.1 kW	1.5 kW	2.2 kW	3.0 kW	
1	Corpo pompa/Rasam./Tappi - Pump body/Wear ring/Plugs	1	151350300				151350320			
* 2	Girante - Impeller	1	150785080	150785120	150785180	150785250	150785350	150785590	150785700	
3	Disco portatenuta-C/Rasam. - Seal housing-C/Wear ring	1	160150221		150150051		150150071	150150091		
4	Lanterna - Adaptor	1	161453141	161453151			161452881	161452841		
* 5	Rasamento - Wear ring	1	168601511							
* 6	Controrasamento - Counterwear ring	1	-			465020201				
* 7	Tenuta meccanica - Mechanical seal	1	002232204					002232801		
* 8	OR - OR	1	002221777				002221788			
** 9	Motore completo - Entire motor	1	107230680	107230830	107241533	50005PS00	50006PS00	50010PT00	50011PT00	
	Tipe - Type		SM471B5/304	SM490RB5S2/305	LLM490RB5S2/307 IE2	PLM490B5S2/311 IE2	PLM490B5S2/315 IE2	PLM4100B5S3/322 IE2	PLM4100B5S3/330 IE2	
10	Dado fissaggio girante - Impeller lock nut	1	002633002					002633004		
	Rondella - Washer	1	002635072					002635074		
11	Linguetta - Key	1	002650361					002650392		
12	Valvola di sfiato - Air bleed valve	1	159300050							
13	Anello distanziale - Spacer ring	1	168601560							
14	Giunto - Coupling	1	167600600	-						

* Parti di ricambio consigliate - Recommended spare parts

Ed. 14-05-2014 -A

Item N.	Descrizione - Description	Q.tà Q.ty	Codice - Code						
			FCE4 80-125/076/C 104393360	FCE4 80-125/116/P 101215420	FCE4 80-200/156/P 101215480	FCE4 80-200/226/P 101215490	FCE4 80-200/306/P 101215500	FCE4 80-250/406/P 104402540	FCE4 80-250/556/P 104402550
			FCBE4 80-200/156/P 101446500	FCBE4 80-200/226/P 101446510	FCBE4 80-200/306/P 101446520	FCBE4 80-250/406/P 104402760	FCBE4 80-250/556/P 104402770		
			0.75 kW	1.1 kW	1.5 kW	2.2 kW	3.0 kW	4.0 kW	5.5 kW
1	Corpo pompa/Rasam./Tappi - Pump body/Wear ring/Plugs	1	151350340			151350360			
* 2	Girante - Impeller	1	150786030	150786100	160751468	160751620	160751500	160751571	160751540
	Girante - Impeller, Bronzo - Bronze		-	-	160720440	160720490	160720510	160720570	160720580
3	Disco portatenuta-C/Rasam. - Seal housing-C/Wear ring	1	160150221			150150081			
4	Lanterna - Adaptor	1	161453151			161452841			161452881
* 5	Rasamento - Wear ring	1	168601521			168601580			
* 6	Controrasamento - Counterwear ring	1	-			168601270			
* 7	Tenuta meccanica - Mechanical seal	1	002232204			002232801			
* 8	OR - OR	1	002221777			002221788			
** 9	Motore completo - Entire motor	1	107241533	50005PS00	50006PS00	50010PT00	50011PT00	50015PT00	50020PP00
	Tipo - Type		LLM490RB5S2/307 IE2	PLM490B5S2/311 IE2	PLM490B5S2/315 IE2	PLM4100B5S3/322 IE2	PLM4100B5S3/330 IE2	PLM4112B5S3/340 IE2	PLM4132B14S3/355 IE2
10	Dado fissaggio girante - Impeller lock nut	1	002633002			002633004			
	Rondella - Washer	1	002635072			002635074			
11	Linguetta - Key	1	002650361			002650392			
12	Valvola di sfiato - Air bleed valve	1	159300050						
13	Anello distanziale - Spacer ring	1	-						
14	Giunto - Coupling	1	-						

* Parti di ricambio consigliate - Recommended spare parts

Ed. 14-05-2014 -A

Item N.	Descrizione - Description	Q.tà Q.ty	Codice - Code						
			FCE4100-160/156/P	FCE4100-200/226/P	FCE4100-200/306/P	FCE4100-250/406/P	FCE4100-250/556/P	FCE4100-250/756/P	
			101215560	101215580	101215590	104402560	104402570	104402580	
			FCBE4100-160/156/P	FCBE4100-200/226/P	FCBE4100-200/306/P	FCBE4100-250/406/P	FCBE4100-250/556/P	FCBE4100-250/756/P	
			101446550	101446560	101446570	104402780	104402790	104402800	
			1.5 kW	2.2 kW	3.0 kW	4.0 kW	5.5 kW	7.5 kW	
1	Corpo pompa-rasam.-tappi - Pump body-wear ring-plugs	1	151350380	151350400					
* 2	Girante - Impeller	1	160751255	160751250	160751282	160751690	160751670	160751315	
	Girante - Impeller, Bronzo - Bronze		160720650	160720680	160720740	160720810	160720840	160720860	
3	Disco portatenuta-C/rasamento - Seal housing-C/wear ring	1	150150061	150150081			150150101		
4	Lanternina - Adaptor	1	161453151	161452841			161452881		
* 5	Rasamento - Wear ring	1	168601270						
* 6	Controrasamento - Counterwear ring	1	168601270						
* 7	Tenuta meccanica - Mechanical seal	1	002232801				002233301		
* 8	OR - OR	1	002221777	002221788					
** 9	Motore completo - Entire motor	1	50006PS00	53010PT00	53011PT00	50015PT00	50020PJ00	50021PJ00	
	Tipo - Type		PLM490B5S2/315 IE2	PLM4100B5S3/322 IE2	PLM4100B5S3/330 IE2	PLM4112B5S3/340 IE2	PLM4132B14S4/355 IE	PLM4132B14S4/375 IE2	
10	Dado fissaggio girante - Impeller lock nut	1	002633004				002633006		
	Rondella - Washer	1	002635074				002635076		
11	Linguetta - Key	1	002650392				002650391		
12	Valvola di sfiato - Air bleed valve	1	159300050						
13	Anello distanziale - Spacer ring	1	-						
14	Giunto - Coupling	1	-						

* Parti di ricambio consigliate - Recommended spare parts

Ed. 14-05-2014 -A