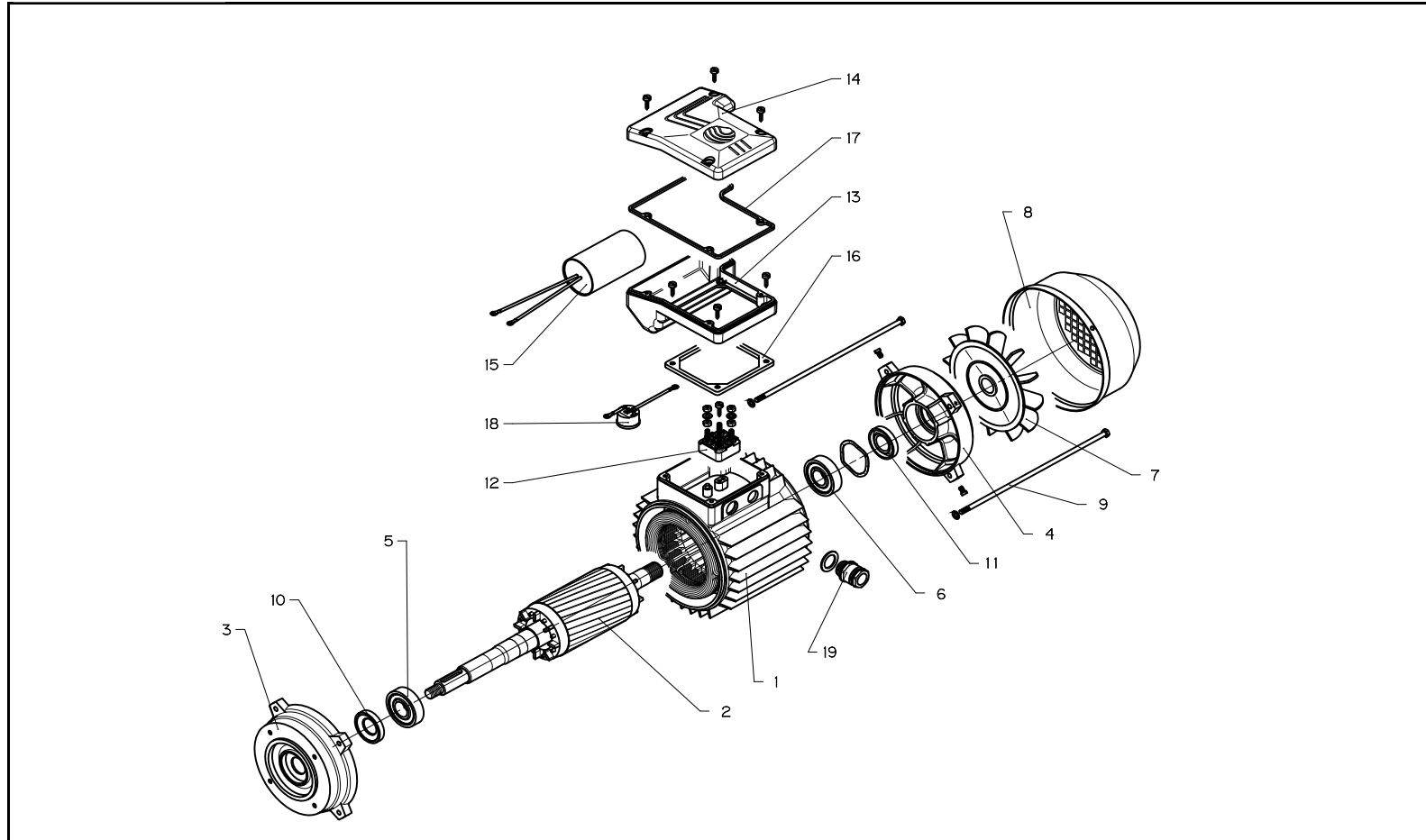


xylem

MOTORI B14 TRIFASE 2 POLI GRAND. < 132 - FCE/FHE/SHE
THREE PHASE B14 MOTORS 2 POLE SIZE < 132 - FCE/FHE/SHE



 **LOWARA**

- 252/A -

MOT_E_2P_3Ph_P(7-75)_6_Jan00_EdA.xls