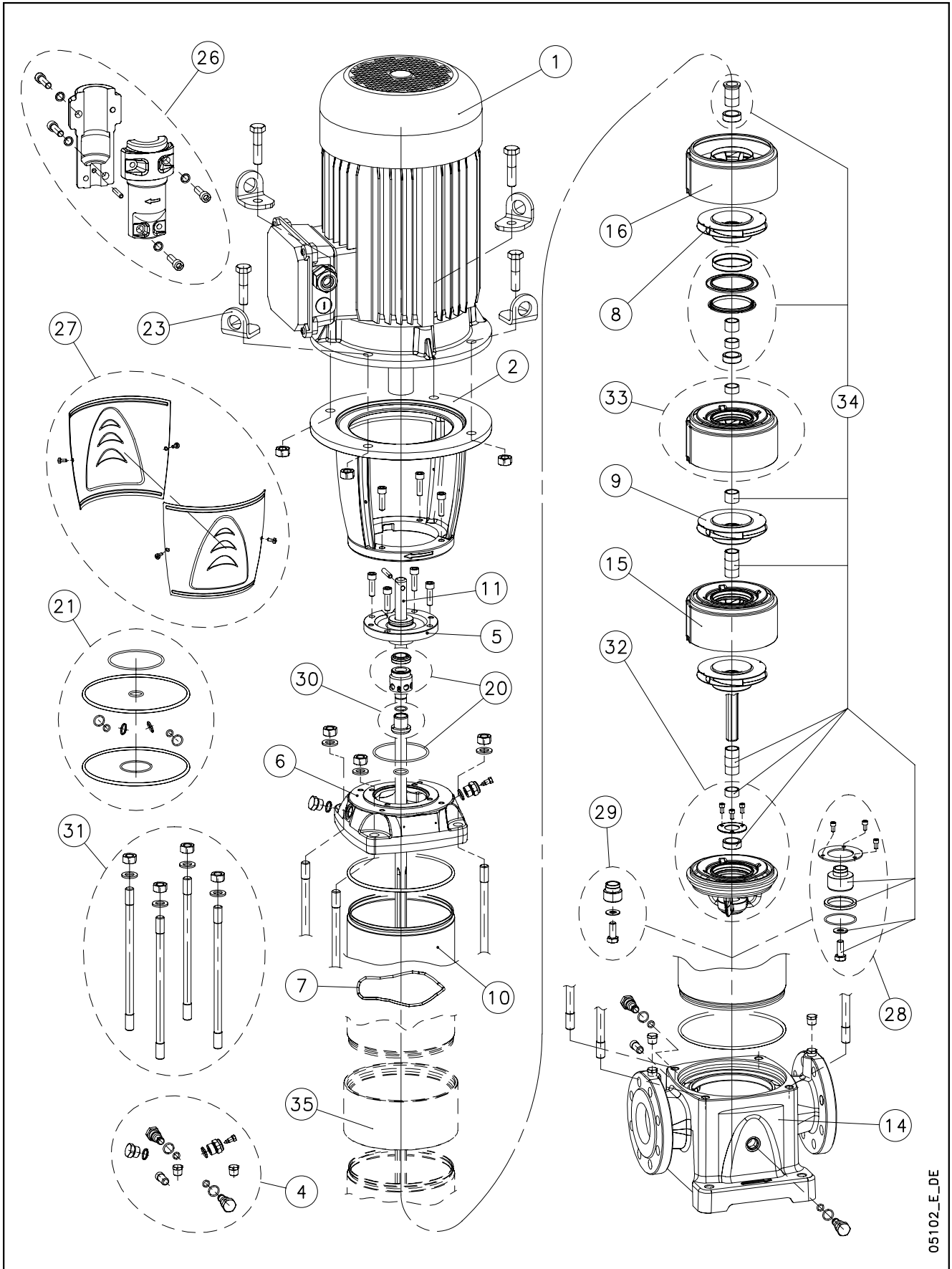


33, 46, 66, 92 SV



05102_E_DE

Lowara, Flygt and Vogel Pumpen are a trademark of Xylem Inc. or one of its subsidiaries. Goulds is a registered trademark of Goulds Pumps, Inc. and is used under license.

N.	Descrizione It	Description en	Description fr	Beschreibung de	Descripción es	Descrição pt
1	Motore	Motor	Moteur	Motor	Motor	Motor
2	Lanterna	Adaptor	Lanterne	Motorlaterne	Adaptador	Adaptador
4	Tappi	Plugs	Bouchons	Stopfen	Tapones	Tampões
5	Disco porta tenuta	Seal housing plate	Disque de support garniture	Dichtungsdeckel	Disco de alojamiento sello	Disco porta-vedante
6	Testata superiore	Upper head	Tête supérieure	Oberer kopf	Cabezal superior	Cabeça superior
7	Molla	Spring	Ressort	Feder	Muelle	Mola
8	Girante ridotta	Reduced impeller	Roue réduite	Laufrad, reduzierter Durchmesser	Rodete, reducido	Impulsor reduzido
9	Girante piena	Full impeller	Roue pleine	Laufrad, voller Durchmesser	Rodete, completo	Impulsor completo
10	Camicia	Sleeve	Chemise	Gehäuse	Camisa	Camisa
11	Albero	Shaft	Arbre	Welle	Árbol	Veio
14	Corpo pompa	Pump body	Corps de pompe	Pumpengehäuse	Caja bomba	Corpo da bomba
15	Diffusore boccola carbone	Diffuser carbon bush	Diffuseur douille carbone	Diffuser und Büchse, Kohle	Difusor casquillo carbón	Difusor bucha carvão
16	Diffusore finale	Last stage diffuser	Diffuseur dernier étage	Enddiffusor	Difusor final	Difusor final
20	Kit tenuta mecc. + OR	Mechanical seal + OR kit	Kit garniture mec. + joints toriques	Gleitringdichtung + O-Ring [Satz]	Kit sello mec. + junta tórica	Kit vedante mec. + OR
21	Kit guarnizioni OR	O ring kit	Kit joints toriques	Dichtungssatz	Kit juntas tóricas	Kit guarnições OR
23	Anello sollevamento	Lifting ring	Anneau de levage	Huböse	Anillo de elevación	Anel de suspensão
26	Kit coppia di semigiunti	Pair of half coupling kit	Kit paire de demi-manchons	Kupplung [Satz]	Kit par de semijuntas	Kit par de semi-juntas
27	Kit protezione giunto	Coupling guard kit	Kit protection manchon	Kupplungsschutz [Satz]	Kit protección junta	Kit proteção junta
28	Kit tamburo reggipinta	Thrust drum kit	Kit tambour butée	Drucklagerscheibe [Satz]	Kit tambor de empuje	Kit tambor de impulso
29	Kit bloccaggio giranti	Impeller locking kit	Kit blocage roues	Laufrad Halt [Satz]	Kit bloqueo rodetes	Kit bloqueio impulsores
30	Kit bussola tenuta	Bush seal kit	Kit douille garniture	ringdichtungsarretierung und mitneh	Kit casquillo sello	kit bucha vedante
31	Kit tiranti	Tie rods kit	Kit tirants	Zugstangen [Satz]	Kit tirantes	Kit tirantes
32	Kit supporto boccola Widia	Support tungsten bush kit	Kit support douille Widia	Widia Halterung [Satz]	Kit soporte casquillo Widia	Kit suporte com tungstênio bucha
33	Kit diffusore boccola Widia	Diffuser tungsten bush kit	Kit diffuseur douille Widia	Diffusor mit Widia Büchse [Satz]	Kit difusor casquillo Widia	Kit difusor com tungstênio bucha
34	Kit parti di usura	Wear parts kit	Kit parties d'usure	Verschleißteile [Satz]	Kit piezas de desgaste	Kit peças desgastáveis
35	Anello per camicie	Sleeve ring	Anneau pour chemises	Ringhülse	Anillo para camisas	Anel para camisas
N.	Beschrijving nl	Περιγραφή el	Açıklama tr	Kuvau fi	Описание ru	Opis pl
1	Motor	Πλήρης κινητήρας	Motor	Moottori	Двигатель	Silnik
2	Lantaarnstuk	Μπρακέτο	Adaptör	Sovitin	Крестовина	Piasta
4	Pluggen	Σετ πατών	Tapalar	Tulpat	Пробки	Zatyczki
5	Dichtingssteunplaat	Δίσκος μηχανικού στυπιοθλίπτη	Sızdırmazlık elemanı diski	Tiivisteenn kannatuslevy	Пластина держателя прокладки	Tarcza uszczelki
6	Bovenste kop	Κεφαλή αντλίας	Üst kafa	Yläkansi	Верхняя головка	Głowica górna
7	Veer	Έλασμα	Yay	Jousi	Пружина	Sprężyna
8	Waaier met verkleinde diameter	Πτερόγιο μειωμένης διαμέτρου	Küçük boylu pompa rotoru	Pieni juoksupyörä	Уменьшенное рабочее колесо	Wirnik niepełny
9	Volle waaier	Πτερόγιο πλήρους διαμέτρου	Tam boylu pompa rotoru	Täydellinen juoksupyörä	Полное рабочее колесо	Wirnik pełny
10	Mantel	Κέλυφος	Gömlek	Muhvi	Муфта	Plaszcz
11	As	Άξονας	Mil	Akseli	Вал	Wał
14	Pomphuis	Σώμα αντλίας	Pompa gövdesi	Pumpun runko	Корпус насоса	Korpus pompy
15	Diffusor koollager	Πτερόγιο εκτροπής με κουζινέτο	Karbon burçlu difüzör	Diffusori ja hiiliholkki	Диффузор втулки угля	Dyfuzor tulejki węgla
16	Diffusor laatste trap	Τελευταίο πτερόγιο εκτροπής	Son difüzör	Loppuvaiheen diffuusori	Конечный диффузор	Dyfuzor końcowy
20	Set mech. asafdichting + O-ring	Μηχανικός στυπιοθλίπτης και ροδέλες στεγανοποίησης	Mekanik salmastra kiti + O-Ring	Mek. tiiviste + O-rengassarja	Комплект мех.прокладки + OR	Zestaw uszcz. mech. + OR
21	Set O-ringafdichtingen	Σετ ροδέλες στεγανοποίησης	O-Ring kiti	O-rengassarja	Комплект кольцевых прокладок OR	Zestaw uszczelkek OR
23	Hijs ring	Άρση δαχτυλίδι	Cihaz kaldırma	Nostorengas	Подъемные кольца	Pierścień podnoszenia
26	Set koppelingshelften	Σετ σταθερού συνδέσμου	Çift yarım manşon kiti	Liitinsarja	Комплект пары полумуфт	Zestaw pary półzłączy
27	Set koppelingsbescherming	Καλύμματα προστασίας σταθερού συνδέσμου	Manşon koruma kiti	Liitoksen suojuussarja	Комплект защиты муфт	Zestaw ochronny złącza
28	Set druklagertrommel	Σετ ωστικού εμβόλου	Basinc yatağı tambur kiti	Rumpusarja	Комплект упорного барабана	Testaw bębna łożyska oporowego
29	Set waaierblokkeringen	Σετ ασφάλισης πτερυγίων	Pompa rotorlarını sabitleme kiti	Juoksupyörien kiinnityssarja	Комплект блокировки раб. колес	Zestaw blokujący wirniki
30	Set afdichtingsbus	Σετ κουζινέτου μηχανικού στυπιοθλίπτη	Sızdırmazlık elemanı burcu kiti	Holkki ja tiiviste	Комплект втулки уплотнения	Zestaw busoli uszczel.
31	Set trekstangen	Σετ ράβδων σύνδεσης	Gergi çubuğu kiti	Vetotankosarja	Комплект тяг	Zestaw napinaczy
32	Set Widia steunbus	Σετ κάτω κουζινέτου	Tungsten burçlu mesnedi kiti	Kannatin ja kovametalliholkki	Комплект опоры втулки Widia	Zestaw wspornika tulejki Wolfram
33	Set Widia diffusorbus	Σετ πτερυγίου εκτροπής με κουζινέτο και δακτύλιο τριβής	Tungsten burçlu difüzör kiti	Diffusori ja kovametalliholkki	Комплект диффузора втулки Widia	Zestaw dyfuzora tulejki Wolfram
34	Set slijtonderdelen	Σετ δακτύλιων τριβής	Aşınma parçaları kiti	Kulumisiosien sarja	Комплект изнашиваемых частей	Zestaw części podł. zużyciu
35	Ring voor mantels	Σύνδεσμος κελύφων	Gömlek halkası	Muhvirengas	Кольцо муфты	Pierścień do płaszczy

Production date > Feb08

SV33F/P 2 Pole 60 Hz

ELP 2 P, 3 ~										
F - Version 3 ~ >	SV3301/1F/P	SV3301F/P	SV3302/2F/P	SV3302/1F/P	SV3302F/P	SV3303/2F/P	SV3303/1F/P	SV3303F/P	SV3304/2F/P	SV3304/1F/P
	101580011	101580021	101580031	101580041	101580051	101580061	101580071	101580081	101580091	101580101
	SV3304F/P	SV3305/2F/P	SV3305/1F/P	SV3305F/P	SV3306/2F/P	SV3306/1F	SV3306F	SV3307/2F	SV3307/1F	SV3307F
3 ~ >	101580111	101580121	101580131	101580141	101580151	102710161	102710171	102710181	102710191	102710201
3 ~ >	SV3308/2F	SV3308/1F	SV3308F							
	102710211	102710221	102710231							
Motor power kW >	3,0	5,5	5,5	7,5	11,0	11,0	11,0	15,0	15,0	15,0
	18,5	18,5	22,0	22,0	22,0	30,0	30,0	30,0	30,0	37,0
	37,0	37,0	37,0							
Stages Number	1	1	2	2	2	3	3	3	4	4
	4	5	5	5	6	6	6	7	7	7
	8	8	8							

Single Unit and Kit

10	Stages >	1	2	3	4	5	6	7	8	
	Sleeve STD	166441881	166441891	166441901	166441911	166441921	166441931	166441941		304SS, PN 25
	Sleeve OPTION	156408600	156408610	156408620	156408630	156408640	156408650	156408660	156408670	316SS, PN 40
11	Shaft	165045621	165045631	165045641	165045651	165045661	165045671	165045681	165045691	431SS
31	Tie rods kit SVF	KL22AAC	KL22AAD	KL22AAE	KL22AAF	KL22AAG	KL22AAH	KL22AAK	KL22AAL	

Mech seal Kit

*20	Materials ->	Q1BEGG	Q1Q1EGG	Q1BVGG	Q1Q1VGG	Q1CTGG	Q1Q1TGG	STD -> Q1BEGG - OR EPDM
	Mech seal D22 + OR	KL01AC0	KL01AC1	KL01AC2	KL01AC3	KL01AC5	KL01AC6	

Wear parts, pump body

	->SV3304	SV3304	->SV3309
drum, impeller stop	1 bearing	1 bearing	2 bearing
impeller locking	no drum	drum	drum
* 34 Wear Parts Kit	KL35AA9	KL35ABW	KL35ABB
14 Pump body	PN16	151351000	-
	PN25-40	-	151351020
28 Drum	EPDM	-	KL41AAA
	FPM	-	KL41AAD
	FEP	-	KL41AAS
29 Impeller locking		KL41AAG	-

Common, Single Unit and Kit

4	Plugs	EPDM	KL34AAF	
		FPM	KL34AAG	
		FEP	KL34AAH	
5	Seal housing plate		160150260	
6	Upper head		161453740	
7	Spring		169100190	
8	Reduced impeller		150702820	
9	Full impeller		150702740	For example. SV3303/2 = 3 Stages = 3 Impellers: 2 Imp. Reduced, 1 Imp. Full
15	Diffuser carbon bush		152801801	304SS
16	Last stage diffuser		152801731	304SS
*21	OR	EPDM	KL02AAA	
		FPM	KL02AAD	
		FEP	KL02AA7	
30	Bush seal		KL41AAH	
32	Support tungsten bush SVF		KL16AAA	
*33	Diffuser tungsten bush		KL05AC6	From SV3305/2, incl.

Motor, Coupling, Adaptor

**1	kW >	3,0	5,5	7,5	11,0	15,0	18,5	22,0	30,0	37,0
	Motor 2P, 3 ~>	50002RF00	50013RE00	50017RB00	50019RE00	50024RB00	50025RB00	50026RE00	23064644G	23064645L
2	Adaptor	161453620	161453640	161453640	161453660	161453660	161453660	161453660	161453680	161453680
23	Lifting bracket		161441050	161441050	161441060	161441060	161441060	161441060	161441070	161441070
26	Coupling	KL10AAB	KL10AAC	KL10AAC	KL10AAD	KL10AAD	KL10AAD	KL10AAE	KL10AAF	KL10AAF
27	Coupling guard	KL33AAA	KL33AAB	KL33AAB	KL33AAC	KL33AAC	KL33AAC	KL33AAC	KL33AAC	KL33AAC

- * Recommended spare parts
- * Motor spare parts: see motor lists

SV33F/P 4 Pole 60 Hz

Production date > Feb08

ELP 4 P, 3 ~										
F - Version 3 ~ >	SV3302F4/P	SV3303F4/P	SV3304F4/P	SV3305F4/P	SV3306F4/P	SV3307F4/P	SV3308F4/P	SV3309F4/P	SV3310F4/P	SV3311F4/P
	101580551	101580581	101580611	101580641	101580671	101580701	101580731	101580761	101580791	101580821
	SV3312F4/P	SV3313F4/P								
3 ~ >	101580851	101580881								
Motor power kW >	1,1	1,5	2,2	3,0	3,0	4,0	5,5	5,5	5,5	7,5
Stages number	2	3	4	5	6	7	8	9	10	11
	12	13								

Single Unit and Kit

10	Stages >	2	3	4	5	6	7	8	9	10	11
		12	13								
	Sleeve STD PN 25	166441891	166441901	166441911	166441921	166441931	166441941	166441951	166441961	166441971	KL13AAD
	304SS / kit 316SS	KL13AAE	KL13AAF	Note. Double Sleeve Kit Without Sleeve Ring (item 35)							
	Sleeve OPTION	156408610	156408620	156408630	156408640	156408650	156408660	156408670	156408680	156408690	KL13AAA
	PN 40, 316SS	KL13AAB	KL13AAC	Note. Double Sleeve Kit Without Sleeve Ring (item 35)							
11	Shaft	165045631	165045641	165045651	165045661	165045671	165045681	165045691	165045701	165045711	165045721
	431SS	165045731	165045741								
31	Tie rods kit SVF	KL22AAD	KL22AAE	KL22AAF	KL22AAG	KL22AAH	KL22AAK	KL22AAL	KL22AAM	KL22AAN	KL22AAP
		KL22AAQ	KL22AAR								

Mech seal Kit

*20	Materials ->	Q1BEGG	Q1Q1EGG	Q1BVGG	Q1Q1VGG	Q1CTGG	Q1Q1TGG	STD -> Q1BEGG - OR EPDM
	Mech seal D22 + OR	KL01AC0	KL01AC1	KL01AC2	KL01AC3	KL01AC5	KL01AC6	

Wear parts, pump body
impeller stop, impeller locking

->SV3304	->SV3309	->SV3313
1 bearing no drum	2 bearing no drum	3 bearing no drum

* 34	Wear Parts Kit	KL35AA9	KL35ABA	KL35ABC
14	Pump body PN16	151351000	151351000	151351000
29	Impeller locking	KL41AAG	KL41AAG	KL41AAG

Common, Single Unit and Kit

4	Plugs	EPDM	KL34AAF	
		FPM	KL34AAG	
		FEP	KL34AAH	
5	Seal housing plate		160150260	
6	Upper head		161453740	
7	Spring		169100190	
8	Reduced impeller		150702820	
9	Full impeller		150702840	For example. SV3303 4 = 3 Stages = 3 Impellers: 3 Imp. Full, No Imp. Reduced 4P
15	Diffuser carbon bush		152801801	304SS
16	Last stage diffuser		152801731	304SS
*21	OR	EPDM	KL02AAA	Single-Double Sleeve
		FPM	KL02AAD	
	OR	FEP	KL02AA7	Single Sleeve
		FPM	KL02AAE	
	OR	FEP	KL02AA8	Double Sleeve
30	Bush seal		KL41AAH	
32	Support tungsten bush SVF		KL16AAA	
*33	Diffuser tungsten bush		KL05AC6	From SV3305 included
35	Sleeve ring		168601900	For 11-12-13 Stages Pumps
	Diffuser box empty		152801960	SV33-46 2-4 pole

Motor, Coupling, Adaptor

**1		kW >	1,1	1,5	2,2	3,0	4,0	5,5	7,5
		Motor 4P, 3~ ->	50005RD00	50006RD00	50010RD00	50011RD00	50015RD00	50020RB00	50021RB00
2	Adaptor		161453600	161453600	161453620	161453620	161453620	161453640	161453640
23	Lifting bracket							161441050	161441050
26	Coupling		KL10AAA	KL10AAA	KL10AAB	KL10AAB	KL10AAB	KL10AAC	KL10AAC
27	Coupling guard		KL33AAA	KL33AAA	KL33AAA	KL33AAA	KL33AAA	KL33AAB	KL33AAB

Pump stack, EPDM

Stages >	1	2	3	4	5	6	7	8	9	10
	11	12	13	Articles with production To be Defined, at Feb. 2007						

- * Recommended spare parts
- * Motor spare parts: see motor lists

SV46F/P 2 Pole 60 Hz

Production date > Feb08

ELP 2 P, 3 ~										
F - Version 3 ~ >	SV4601/1F/P	SV4601F/P	SV4602/2F/P	SV4602/1F/P	SV4602F/P	SV4603/2F/P	SV4603/1F/P	SV4603F/P	SV4604/2F/P	SV4604/1F
	101582011	101582021	101582031	101582041	101582051	101582071	101582081	101582091	101582111	102712121
3 ~ >	SV4604F	SV4605/2F	SV4605/1F	SV4605F	SV4606/2F	SV4606/1F	SV4606F	SV4607/2F	SV4607/1F	SV4607F
	102712131	102712151	102712161	102712171	102712191	102712201	102712211	102712231	102712241	102712251
Motor power kW >	5.5	7.5	11.0	11.0	15.0	18.5	18.5	18.5	22.0	30.0
	30.0	30.0	30.0	30.0	37.0	37.0	37.0	45.0	45.0	45.0
Stages number	1	1	2	2	2	3	3	3	4	4
	4	5	5	5	6	6	6	7	7	7

Single Unit and Kit

10	Stages >	1	2	3	4	5	6	7	
	Sleeve STD	166441881	166441891	166441901	166441911	166441921	166441931	166441941	304SS, PN 25
	Sleeve OPTION	156408600	156408610	156408620	156408630	156408640	156408650	156408660	316SS, PN 40
11	Shaft	165045621	165045631	165045641	165045651	165045661	165045671	165045681	431SS
31	Tie rods kit SVF	KL22AAC	KL22AAD	KL22AAE	KL22AAF	KL22AAG	KL22AAH	KL22AAK	

Mechanical seal kit

*20	Materials ->	Q1BEGG	Q1Q1EGG	Q1BVG	Q1Q1VGG	Q1CTGG	Q1Q1TGG	STD -> Q1BEGG - OR EPDM
	Mech. seal D22 + OR	KL01AC0	KL01AC1	KL01AC2	KL01AC3	KL01AC5	KL01AC6	

Wear parts, pump body

		->SV4603	->SV4604	->SV4609
drum, impeller stop, impeller locking		1 bearing no drum	1 bearing drum	2 bearing drum
*34	Wear Parts Kit	KL35ABE	KL35ABX	KL35ABG
14	Pump body	PN16	151351040	-
		PN16-40	-	151351060
28	Drum	EPDM	KL41AAB	KL41AAB
		FPM	KL41AAE	KL41AAE
		FEP	KL41AAT	KL41AAT
29	Impeller locking	KL41AAG	-	-

Common, Single Unit and Kit

4	Plugs	EPDM	KL34AAF	
		FPM	KL34AAG	
		FEP	KL34AAH	
5	Seal housing plate	160150260		
6	Upper head	161453740		
7	Spring	169100190		
8	Reduced impeller	150702830		
9	Full impeller	150702750	Example. SV4603/2 = 3 Stages = 3 Impellers: 2 Imp. Reduced, 1 Imp. Full	
15	Diffuser carbon bush	152801811	304SS	
16	Last stage diffuser	152801731	304SS	
*21	OR	EPDM	KL02AAA	
		FPM	KL02AAD	
		FEP	KL02AA7	
30	Bush seal	KL41AAH		
32	Support tungsten bush SVF	KL16AAB		
*33	Diffuser tungsten bush	KL05AC7	From SV4605/2, included	

Motor, Single Unit and Kit

**1	Mot. power, kW	5.5	7.5	11.0	15.0	18.5	22.0	30.0	37.0	45.0
	Motor 2P, 3~>	50013RE00	50017RB00	50019RE00	50024RB00	50025RB00	50026RE00	23064644G	23064645L	23064646B
2	Adaptor	161453640	161453640	161453660	161453660	161453660	161453660	161453680	161453680	161453700
23	Lifting bracket	161441050	161441050	161441060	161441060	161441060	161441060	161441070	161441070	161441070
26	Coupling	KL10AAC	KL10AAC	KL10AAD	KL10AAD	KL10AAD	KL10AAE	KL10AAF	KL10AAF	KL10AAF
27	Coupling guard	KL33AAB	KL33AAB	KL33AAC	KL33AAC	KL33AAC	KL33AAC	KL33AAC	KL33AAC	KL33AAC

* Recommended spare parts

* Motor spare parts: see motor lists

Production date > Feb08

SV46F/P 4 Pole 60 Hz

ELP 1 P, 3 ~										
F - Version 3 ~>	SV4602F4/P	SV4603F4/P	SV4604F4/P	SV4605F4/P	SV4606F4/P	SV4607F4/P	SV4608F4/P	SV4609F4/P	SV4610F4/P	SV1611F4
	101582551	101582581	101582611	101582641	101582671	101582701	101582731	101582761	101582791	102712821
3 ~>	SV4612F4	SV4613F4								
	102712851	102712881								
Motor power kW >	1,5	2,2	3,0	4,0	5,5	5,5	7,5	7,5	7,5	11,0
Stages number >	2	3	4	5	6	7	8	9	10	11
	12	13								

Single Unit and Kit

10	Stages >	2	3	4	5	6	7	8	9	10	11
		12	13								
	Sleeve STD PN25 304SS /kit 316SS	166441891	166441901	166441911	166441921	166441931	166441941	166441951	166441961	166441971	KL13AAD
		KL13AAE	KL13AAF	Note. Double Sleeve Kit Without Sleeve Ring (item 35)							
	Sleeve OPTION PN 40, 316SS	156408610	156408620	156408630	156408640	156408650	156408660	156408670	156408680	156408690	KL13AAA
		KL13AAB	KL13AAC	Note. Double Sleeve Kit Without Sleeve Ring (item 35)							
11	Shaft 431SS	165045631	165045641	165045651	165045661	165045671	165045681	165045691	165045701	165045711	165045721
31	Tie rods kit SVF	KL22AAD	KL22AAE	KL22AAF	KL22AAG	KL22AAH	KL22AAK	KL22AAL	KL22AAM	KL22AAN	KL22AAP
		KL22AAQ	KL22AAR								

Mechanical seal kit

*20	Materials ->	Q1BEGG	Q1Q1EGG	Q1BVG	Q1Q1VGG	Q1CTGG	Q1Q1TGG	STD -> Q1BEGG - OR EPDM
	Mech. seal D22 + OR	KL01AC0	KL01AC1	KL01AC2	KL01AC3	KL01AC5	KL01AC6	

Wear parts, pump body

		->SV4604	->SV4609	->SV4613
impeller stop, impeller locking		1 bearing no drum	2 bearing no drum	3 bearing no drum
*34	Wear Parts Kit	KL35ABE	KL35ABF	KL35ABH
14	Pump body PN16	151351060	151351060	151351060
29	Impeller locking	KL41AAG	KL41AAG	KL41AAG

Common, Single Unit and Kit

4	Plugs	EPDM	KL34AAF	
		FPM	KL34AAG	
		FEP	KL34AAH	
5	Seal housing plate		160150260	
6	Upper head		161453740	
7	Spring		169100190	
8	Reduced impeller		150702830	
9	Full impeller		150702750	For example, SV4603_4 = 3 STages = 3 Impellers: No Imp. Reduced, 3 Imp. Full, 4P
15	Diffuser carbon bush		152801811	304SS
16	Last stage diffuser		152801731	304SS
*21	OR	EPDM	KL02AAA	Single-Double Sleeve
	OR	FPM	KL02AAD	
		FEP	KL02AA7	Single Sleeve
	OR	FPM	KL02AAE	
		FEP	KL02AA8	Double Sleeve
30	Bush seal		KL41AAH	
32	Support tungsten bush SVF		KL16AAB	
*33	Diffuser tungsten bush		KL05AC7	From SV4605, included
35	Sleeve ring		168601900	For 11-12-13 STages Double Sleeve Pumps
	Diffuser box empty		152801960	SV33-46 2-4 pole

Motor, Single Unit and Kit

**1	Mot. power, kW	1,5	2,2	3,0	4,0	5,5	7,5	11,0
	Motor 2P ->	50006RD00	50010RD00	50011RD00	50015RD00	50020RB00	50021RB00	23064674B
2	Adaptor	161453600	161453620	161453620	161453620	161453640	161453640	161453660
23	Lifting bracket					161441050	161441050	161441060
26	Coupling	KL10AAA	KL10AAB	KL10AAB	KL10AAB	KL10AAC	KL10AAC	KL10AAD
27	Coupling guard	KL33AAA	KL33AAA	KL33AAA	KL33AAA	KL33AAB	KL33AAB	KL33AAC

Pump stack, EPDM

Stages >	1	2	3	4	5	6	7	8	9	10
	11	12	13	Articles with production To be Defined, at Feb. 2007						

* Recommended spares

* Motor spares: see motor lists

SV33-92F_6_P_Feb08_EdC

SV66F/P 2 Pole 60Hz

Production date > Feb08

ELP 2 P, 3 ~										
F - Version 3 ~>	SV6601/1F/P	SV6601F/P	SV6602/2F/P	SV6602/1F/P	SV6602F/P	SV6603/2F/P	SV6603/1F	SV6603F	SV6604/2F	SV6604/1F
	101584011	101584021	101584031	101584041	101584051	101584061	102714071	102714081	102714091	102714101
	SV6604F	SV6605/2F	SV6605/1F	SV6605						
3 ~>	102714111	102714121	102714131	102714141						
Motor power kW >	7.5	11.0	15.0	18.5	18.5	22.0	30.0	30.0	37.0	37.0
	37.0	45.0	45.0	45.0						
Stages number	1	1	2	2	2	3	3	3	4	4
	4	5	5							

Single Unit and Kit

10	Stages >	1	2	3	4	5	
	Sleeve STD	166442081	166442091	166442101	166442111	166442121	304SS, PN 25
	Sleeve OPTION	156408750	156408760	156408770	156408780	156408790	316SS, PN 40
11	Shaft	165045781	165045791	165045801	165045811	165045821	431SS
31	Tie rods kit SVF	KL22AA5	KL22AA6	KL22AA7	KL22AA8	KL22AAH	

Mechanical seal Kit

*20	Materials ->	Q1BEGG	Q1Q1EGG	Q1BVGG	Q1Q1VGG	Q1CTGG	Q1Q1TGG	STD -> Q1BEGG - OR EPDM
	Mech. seal D22 + OR	KL01AC0	KL01AC1	KL01AC2	KL01AC3	KL01AC5	KL01AC6	

Wear parts, pump body drum, impeller stop, impeller locking

		->SV6602	->SV6603	->SV6606
		1 bearing no drum	1 bearing drum	2 bearing drum
*34	Wear Parts kit	KL35ABL	KL35ABY	KL35ABN
14	Pump body	PN16	151351080	151351100
		PN25	-	-
28	Drum	EPDM	-	KL41AAC
		FPM	-	KL41AAF
		FEP	-	KL41AAU
29	Impeller locking	KL41AAG	-	-

Common, Single Unit and Kit

4	Plugs	EPDM	KL34AAF	
		FPM	KL34AAG	
		FEP	KL34AAH	
5	Seal housing plate	160150260		
6	Upper head	161453760		
7	Spring	169100210		
8	Reduced impeller	150702840		
9	Full impeller	150702760		Example. SV6603/2 = 3 Stages = 3 Impellers: 2 Imp. Reduced, 1 Imp. Full
15	Diffuser carbon bush	152801821	304SS	
16	Last stage diffuser	152801751	304SS	
*21	OR	EPDM	KL02AAC	
		FPM	KL02AAF	
		FEP	KL02AA9	
30	Bush seal	KL41AAH		
32	Support tungsten bush SVF	KL16AAC		
*33	Diffuser tungsten bush	KL05AC8		From SV6604/2, included

Motor, Coupling, Motor Adaptor

**1	kW >	7.5	11.0	15.0	18.5	22.0	30.0	37.0	45.0
	Motor 2P, 3~ >	50017RB00	50019RE00	50024RB00	50025RB00	50026RE00	23064644G	23064645L	23064646B
2	Adaptor	161453640	161453660	161453660	161453660	161453660	161453680	161453680	161453700
23	Lifting bracket	161441050	161441060	161441060	161441060	161441060	161441070	161441070	161441070
26	Coupling	KL10AAC	KL10AAD	KL10AAD	KL10AAD	KL10AAE	KL10AAF	KL10AAF	KL10AAF
27	Coupling guard	KL33AAB	KL33AAC	KL33AAC	KL33AAC	KL33AAC	KL33AAC	KL33AAC	KL33AAC

* Recommended spare parts

* Motor spare parts: see motor lists

SV33-92F_6_P_Feb08_EdC

Production date > Feb08

SV66F/P 4 Pole 60Hz

ELP 4 P, 3 ~								
F - Version 3 ~>	SV6601F4/P	SV6602F4/P	SV6603F4/P	SV6604F4/P	SV6605F4/P	SV6606F4/P	SV6607F4	SV6608F4
	101584521	101584551	101584581	101584611	101584641	101584671	102714701	102714731
Mot. power, kW ->	1,5	3,0	4,0	5,5	7,5	7,5	11,0	11,0
Stages number	1	2	3	4	5	6	7	8

Single Unit and Kit

10	Stages >	1	2	3	4	5	6	7	8	
	Sleeve STD	166442081	166442091	166442101	166442111	166442121	166442131	166442141	166442151	304SS, PN 25
	Sleeve OPTION	156408750	156408760	156408770	156408780	156408790	156408800	156408810	156408820	316SS, PN 40
11	Shaft	165045781	165045791	165045801	165045811	165045821	165045831	165045841	165045851	431SS
31	Tie rods kit SVF	KL22AA5	KL22AA6	KL22AA7	KL22AA8	KL22AAH	KL22AAK	KL22AAL	KL22AAM	

Mechanical seal Kit

*20	Materials ->	Q1BEGG	Q1Q1EGG	Q1BVGG	Q1Q1VGG	Q1CTGG	Q1Q1TGG	STD -> Q1BEGG - OR EPDM
	Mech. seal D22 + OR	KL01AC0	KL01AC1	KL01AC2	KL01AC3	KL01AC5	KL01AC6	

Wear parts, pump body impeller stop, impeller locking

		->SV6603	->SV6606	->SV6608
		1 bearing no drum	2 bearing no drum	3 bearing no drum
*34	Wear parts kit	KL35ABL	KL35ABM	KL35ABP
14	Pump body PN16	151351080	151351080	151351080
29	Impeller locking	KL41AAG	KL41AAG	KL41AAG

Common, Single Unit and Kit

4	Plugs	EPDM FPM FEP	KL34AAF KL34AAG KL34AAH	
5	Seal housing plate		160150260	
6	Upper head		161453760	
7	Spring		169100210	
8	Reduced impeller		150702840	
9	Full impeller		150702760	For example, SV6603 4 = 3 Stages = 3 Impellers: No Imp. Reduced, 3 Imp. Full, 4P
15	Diffuser carbon bush		152801821	304SS
16	Last stage diffuser		152801751	304SS
*21	OR	EPDM FPM FEP	KL02AAC KL02AAF KL02AA9	
30	Bush seal		KL41AAH	
32	Support tungsten bush SVF		KL16AAC	
*33	Diffuser tungsten bush		KL05AC8	From SV6604, included
	Diffuser box empty		152801970	SV66-92 2-4 pole

Motor, Coupling, Motor Adaptor

**1	kW >	1.5	3.0	4.0	5.5	7.5	11.0
	Motor 4P, 3~>	50006RD00	50011RD00	50015RD00	50020RB00	50021RB00	23064674B
2	Adaptor	161453600	161453620	161453620	161453640	161453640	161453660
23	Lifting bracket				161441050	161441050	161441060
26	Coupling	KL10AAA	KL10AAB	KL10AAB	KL10AAC	KL10AAC	KL10AAD
27	Coupling guard	KL33AAB	KL33AAC	KL33AAB	KL33AAB	KL33AAB	KL33AAC

Pump stack, EPDM

Stages >	1	2	3	4	5	6	7	8
----------	---	---	---	---	---	---	---	---

Articles with production to Be Defined at February 2007

- * Recommended spare parts
- * Motor spare parts: see motor lists

SV92F/P 2 Pole 60Hz

Production date > Feb08

ELP 2 P, 3 ~									
F - Version	SV9201/1F/P	SV9201F/P	SV9202/2F/P	SV9202/1F/P	SV9202F	SV9203/2F	SV9203/1F	SV9203F	SV9204/2F
3 ~ >	101586011	101586021	101586031	101586041	102716051	102716071	102716081	102716091	102716111
Mot power kW >	11.0	15.0	18.5	22.0	30.0	37.0	37.0	45.0	45.0
Stages Number	1	1	2	2	2	3	3	3	4

Single Unit and Kit

10	Stages >	1	2	3	4	
	Sleeve STD	166442081	166442091	166442101	166442111	304SS, PN 25
	Sleeve OPTION	156408750	156408760	156408770	156408780	316SS, PN 40
11	Shaft	165045781	165045791	165045801	165045811	431SS
31	Tie rods kit SVF	KL22AA5	KL22AA6	KL22AA7	KL22AA8	

Mechanical seal Kit

*20	Materials ->	Q1BEGG	Q1Q1EGG	Q1BVGG	Q1Q1VGG	Q1CTGG	Q1Q1TGG	STD -> Q1BEGG - OR EPDM
	Mech. seal D22 + OR	KL01AC0	KL01AC1	KL01AC2	KL01AC3	KL01AC5	KL01AC6	

Wear parts, pump body drum, impeller stop, impeller locking

		->SV9202	->SV9203	->SV9206
		1 bearing no drum	1 bearing drum	2 bearing drum
*34	Wear parts Kit	KL35ABR	KL35ABZ	KL35ABT
14	Pump body PN16	151351080	151351080	151351080
28	Drum	EPDM	KL41AAC	KL41AAC
		FPM	KL41AAF	KL41AAF
		FEP	KL41AAU	KL41AAU
29	Impeller locking	KL41AAG	-	-

Common, Single Unit and Kit

4	Plugs	EPDM	KL34AAF	
		FPM	KL34AAG	
		FEP	KL34AAH	
5	Seal housing plate	160150260		
6	Upper head	161453760		
7	Spring	169100210		
8	Reduced impeller	150702850		
9	Full impeller	150702770	Example. SV9203/2 = 3 Stages = 3 Impellers: 2 Imp. Reduced, 1 Imp. Full	
15	Diffuser carbon bush	152801831	304SS	
16	Last stage diffuser	152801751	304SS	
*21	OR	EPDM	KL02AAC	
		FPM	KL02AAF	
		FEP	KL02AA9	
30	Bush seal	KL41AAH		
32	Support tungsten bush SVF	KL16AAD		
*33	Diffuser tungsten bush	KL05AC9	From SV9204/2, included	

Motor, Coupling, Motor Adaptor

**1	kW ->	11.0	15.0	18.5	22.0	30.0	37.0	45.0
	Mot. 2P, 3~ ->	50019RE00	50024RB00	50025RB00	50026RE00	23064644G	23064645L	23064646B
2	Adaptor	161453660	161453660	161453660	161453660	161453680	161453680	161453700
23	Lifting bracket	161441060	161441060	161441060	161441060	161441070	161441070	161441070
26	Coupling	KL10AAD	KL10AAD	KL10AAD	KL10AAE	KL10AAF	KL10AAF	KL10AAF
27	Coupling guard	KL33AAC	KL33AAC	KL33AAC	KL33AAC	KL33AAC	KL33AAC	KL33AAC

- * Recommended spare parts
- * Motor spare parts: see motor lists

SV92F/P 4 Pole 60Hz

ELP 4 P, 3 ~								
F - Version 3 ~ >	SV9201F4/P	SV9202F4/P	SV9203F4/P	SV9204F4/P	SV9205F4/P	SV9206F4	SV9207F4	SV9208F4
	101586521	101586551	101586581	101586611	101586641	101586671	101586701	101586731
Mot. power, kW >	1,5	3,0	5,5	7,5	7,5	11,0	11,0	15,0
Stages Number >	1	2	3	4	5	6	7	8

Single Unit and Kit

10	Stages >	1	2	3	4	5	6	7	8	
	Sleeve STD	166442081	166442091	166442101	166442111	166442121	166442131	166442141	166442151	304SS, PN 25
	Sleeve OPTION	156408750	156408760	156408770	156408780	156408790	156408800	156408810	156408820	316SS, PN 40
11	Shaft	165045781	165045791	165045801	165045811	165045821	165045831	165045841	165045851	431SS
31	Tie rods kit SVF	KL22AA5	KL22AA6	KL22AA7	KL22AA8	KL22AAH	KL22AA9	KL22ABA	KL22ABB	

Mechanical seal Kit

*20	Materials ->	Q1BEGG	Q1Q1EGG	Q1BVGG	Q1Q1VGG	Q1CTGG	Q1Q1TGG	STD -> Q1BEGG - OR EPDM
	Mech. seal D22 + OR	KL01AC0	KL01AC1	KL01AC2	KL01AC3	KL01AC5	KL01AC6	

Wear parts, pump body

		-> SV9203	-> SV9206	-> SV9208
impeller stop, impeller locking		1 bearing no drum	2 bearing no drum	3 bearing no drum
*34	Wear parts Kit	KL35ABR	KL35ABS	KL35ABU
14	Pump body PN16	151351080	151351080	151351080
29	Impeller locking	KL41AAG	KL41AAG	KL41AAG

Common, Single Unit and Kit

4	Plugs	EPDM	KL34AAF	
		FPM	KL34AAG	
		FEP	KL34AAH	
5	Seal housing plate		160150260	
6	Upper head		161453760	
7	Spring		169100210	
8	Reduced impeller		150702850	
9	Full impeller		150702770	For example. SV9203_4 = 3 Stages = 3 Impellers: No Imp. Reduced, 3 Imp. Full, 4P
15	Diffuser carbon bush		152801831	304SS
16	Last stage diffuser		152801751	304SS
*21	OR	EPDM	KL02AAC	
		FPM	KL02AAF	
		FEP	KL02AA9	
30	Bush seal		KL41AAH	
32	Support tungsten bush SVF		KL16AAD	
*33	Diffuser tungsten bush		KL05AC9	From SV9204, included
	Diffuser box empty		152801970	SV66-92 2-4 pole

Motor, Coupling, Motor Adaptor

**1	kW ->	1,5	3,0	5,5	7,5	11,0	15,0
	Mot. 4P, 3~ ->	50006RD00	50011RD00	50020RB00	50021RB00	23064674B	23064675C
2	Adaptor	161453600	161453620	161453640	161453640	161453660	161453640
23	Lifting bracket			161441050	161441050	161441060	161441060
26	Coupling	KL10AAA	KL10AAB	KL10AAC	KL10AAC	KL10AAD	KL10AAD
27	Coupling guard	KL33AAA	KL33AAA	KL33AAB	KL33AAB	KL33AAC	KL33AAC

Pump stack, EPDM

Stages >	1	2	3	4	5	6	7	8
----------	---	---	---	---	---	---	---	---

Articles with production to Be Defined at February 2007

- * Recommended spare parts
- * Motor spare parts: see motor lists