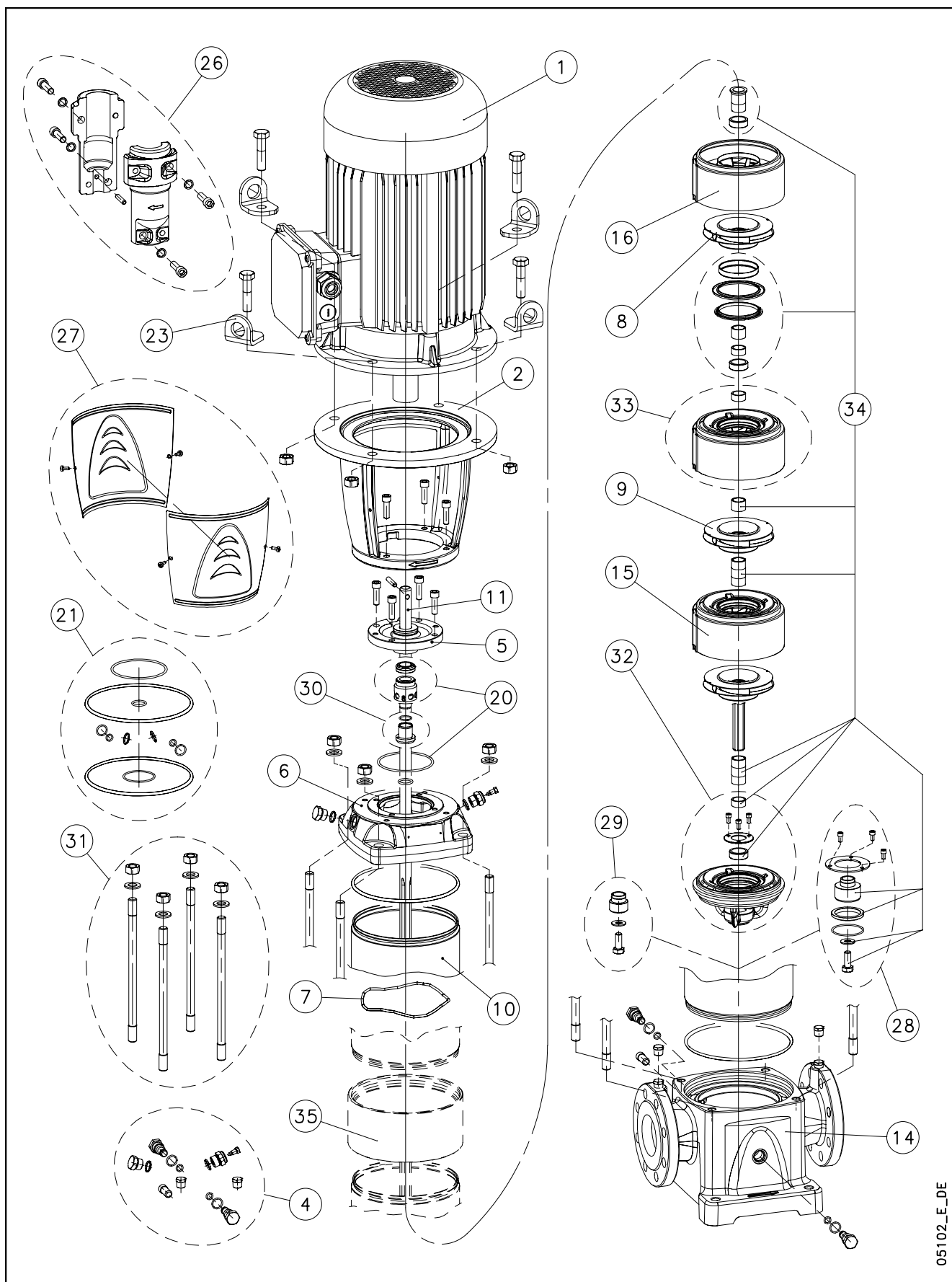


## 33, 46, 66, 92 SV



05102\_E\_DE

Lowara, Flygt and Vogel Pumpen are a trademark of Xylem Inc. or one of its subsidiaries. Goulds is a registered trademark of Goulds Pumps, Inc. and is used under license.

N.	Descrizione It	Description en	Description fr	Beschreibung de	Descripción es	Descrição pt
1	Motore	Motor	Moteur	Motor	Motor	Motor
2	Lanterna	Adaptor	Lanterne	Motorlaterne	Adaptador	Adaptador
4	Tappi	Plugs	Bouchons	Stopfen	Tapones	Tampões
5	Disco porta tenuta	Seal housing plate	Disque de support garniture	Dichtungsdeckel	Disco de alojamiento sello	Disco porta-vedante
6	Testata superiore	Upper head	Tête supérieure	Oberer kopf	Cabezal superior	Cabeça superior
7	Molla	Spring	Ressort	Feder	Muelle	Mola
8	Girante ridotta	Reduced impeller	Roue réduite	Laufrad, reduzierter Durchmesser	Rodete, reducido	Impulsor reduzido
9	Girante piena	Full impeller	Roue pleine	Laufrad, voller Durchmesser	Rodete, completo	Impulsor completo
10	Camicia	Sleeve	Chemise	Gehäuse	Camisa	Camisa
11	Albero	Shaft	Arbre	Welle	Árbol	Veio
14	Corpo pompa	Pump body	Corps de pompe	Pumpengehäuse	Caja bomba	Corpo da bomba
15	Diffusore boccola carbone	Diffuser carbon bush	Diffuseur douille carbone	Diffusor und Büchse, Kohle	Difusor casquillo carbón	Difusor bucha carvão
16	Diffusore finale	Last stage diffuser	Diffuseur dernier étage	Enddiffusor	Difusor final	Difusor final
20	Kit tenuta mecc. + OR	Mechanical seal + OR kit	Kit garniture mec. + joints toriques	Gleitringdichtung + O-Ring [Satz]	Kit sello mec. + junta tórica	Kit vedante mec. + OR
21	Kit guarnizioni OR	O ring kit	Kit joints toriques	Dichtungssatz	Kit juntas tóricas	Kit guarnições OR
23	Anello sollevamento	Lifting ring	Anneau de levage	Huböse	Anillo de elevación	Anel de suspensão
26	Kit coppia di semigiunti	Pair of half coupling kit	Kit paire de demi-manchons	Kupplung [Satz]	Kit par de semijuntas	Kit par de semi-juntas
27	Kit protezione giunto	Coupling guard kit	Kit protection manchon	Kupplungsschutz [Satz]	Kit protección junta	Kit proteção junta
28	Kit tamburo reggipinta	Thrust drum kit	Kit tambour butée	Drucklagerscheibe [Satz]	Kit tambor de empuje	Kit tambor de impulso
29	Kit bloccaggio giranti	Impeller locking kit	Kit blocage roues	Laufrad Halt [Satz]	Kit bloqueo rodetes	Kit bloqueio impulsores
30	Kit bussola tenuta	Bush seal kit	Kit douille garniture	ringdichtungsarretierung und mitneh	Kit casquillo sello	kit bucha vedante
31	Kit tiranti	Tie rods kit	Kit tirants	Zugstangen [Satz]	Kit tirantes	Kit tirantes
32	Kit supporto boccola Widia	Support tungsten bush kit	Kit support douille Widia	Widia Halterung [Satz]	Kit soporte casquillo Widia	Kit suporte com tungstênio bucha
33	Kit diffusore boccola Widia	Diffuser tungsten bush kit	Kit diffuseur douille Widia	Diffusor mit Widia Büchse [Satz]	Kit difusor casquillo Widia	Kit difusor com tungstênio bucha
34	Kit parti di usura	Wear parts kit	Kit parties d'usure	Verschleißteile [Satz]	Kit piezas de desgaste	Kit peças desgastáveis
35	Anello per camicie	Sleeve ring	Anneau pour chemises	Ringhülse	Anillo para camisas	Anel para camisas
N.	Beschrijving nl	Περιγραφή el	Açıklama tr	Kuvaus fi	Описание ru	Opis pl
1	Motor	Πλήρης κινητήρας	Motor	Moottori	Двигатель	Silnik
2	Lantaarnstuk	Μπρακέτο	Adaptör	Sovitin	Крестовина	Piasta
4	Pluggen	Σετ πατών	Tapalar	Tulpat	Пробки	Zatyczki
5	Dichtingssteunplaat	Δίσκος μηχανικού στυπιοθλιπτή	Sızdırmazlık elemanı diski	Tiivisteenn kannatuslevy	Пластина держателя прокладки	Tarcza uszczelki
6	Bovenste kop	Κεφαλή αντλίας	Üst kafa	Yläkansi	Верхняя головка	Głowica górna
7	Veer	Έλασμα	Yay	Jousi	Пружина	Sprężyna
8	Waaier met verkleinde diameter	Πτερόγιο μειωμένης διαμέτρου	Küçük boylu pompa rotoru	Pieni juoksupyörä	Уменьшенное рабочее колесо	Wirmik niepełny
9	Volle waaier	Πτερόγιο πλήρους διαμέτρου	Tam boylu pompa rotoru	Täydellinen juoksupyörä	Полное рабочее колесо	Wirmik pełny
10	Mantel	Κέλυφος	Gömlek	Muhvi	Муфта	Płaszcz
11	As	Άξονας	Mil	Akseli	Вал	Wał
14	Pomphuis	Σώμα αντλίας	Pompa gövdesi	Pumpun runko	Корпус насоса	Korpus pompy
15	Diffusor koollager	Πτερόγιο εκτροπής με κουζινέτο	Karbon burçlu difüzör	Diffusori ja hiiliholkki	Диффузор втулки угля	Dyfuzor tulejki węgla
16	Diffusor laatste trap	Τελευταίο πτερόγιο εκτροπής	Son difüzör	Loppuvaiheen diffuusori	Конечный диффузор	Dyfuzor końcowy
20	Set mech. asafdichting + O-ring	Μηχανικός στυπιοθλιπτής και ροδέλες στεγανοποίησης	Mekanik salmastra kiti + O-Ring	Mek. tiiviste + O-rengassarja	Комплект мех.прокладки + OR	Zestaw uszcz. mech. + OR
21	Set O-ringafdichtingen	Σετ ροδέλες στεγανοποίησης	O-Ring kiti	O-rengassarja	Комплект кольцевых прокладок OR	Zestaw uszczeltek OR
23	Hijs ring	Άρση δαχτυλίδι	Cihaz kaldırma	Nostorengas	Подъемные кольца	Pierścień podnoszenia
26	Set koppelingshelften	Σετ σταθερού συνδέσμου	Çift yarım manşon kiti	Liitinsarja	Комплект пары полумуфт	Zestaw pary półzłączy
27	Set koppelingsbescherming	Καλύμματα προστασίας σταθερού συνδέσμου	Manşon koruma kiti	Liitoksen suojuussarja	Комплект защиты муфт	Zestaw ochronny złącza
28	Set druklagertrommel	Σετ ωστικού εμβόλου	Basınç yatağı tambur kiti	Rumpusarja	Комплект упорного барабана	Testaw bębna łożyska oporowego
29	Set waaierblokkeringen	Σετ ασφάλισης πτερυγίων	Pompa rotorlarını sabitleme kiti	Juoksupyörien kiinnityssarja	Комплект блокировки раб. колес	Zestaw blokujący wirmiki
30	Set afdichtingsbus	Σετ κουζινέτου μηχανικού στυπιοθλιπτή	Sızdırmazlık elemanı burcu kiti	Holkki ja tiiviste	Комплект втулки уплотнения	Zestaw busoli uszczel.
31	Set trekstangen	Σετ ράβδων σύνδεσης	Gergi çubuğu kiti	Vetotankosarja	Комплект тяг	Zestaw napinaczy
32	Set Widia steunbus	Σετ κάτω κουζινέτου	Tungsten burç mesnedi kiti	Kannatin ja kovametalliholkki	Комплект опоры втулки Widia	Zestaw wspornika tulejki Wolfram
33	Set Widia diffusorbus	Σετ πτερυγίου εκτροπής με κουζινέτο και δακτύλιο τριβής	Tungsten burçlı difüzör kiti	Diffusori ja kovametalliholkki	Комплект диффузора втулки Widia	Zestaw dyfuzora tulejki Wolfram
34	Set slijtonderdelen	Σετ δακτύλιων τριβής	Aşınma parçaları kiti	Kulumisiosien sarja	Комплект изнашиваемых частей	Zestaw części podł. zużyciu
35	Ring voor mantels	Σύνδεσμος κελύφων	Gömlek halkası	Muhvirengas	Кольцо муфты	Pierścień do płaszczy

## 33SVN 2 Pole 60 Hz

ELP 2 P, 3 ~										
N - Version	33SV1/1AN6	33SV1N6	33SV2/2AN6	33SV2/1AN6	33SV2N6	33SV3/2AN6	33SV3/1AN6	33SV3N6	33SV4/2AN6	33SV4/1AN6
	101580014	101580024	101580034	101580044	101580054	101580064	101580074	101580084	101580094	101580104
T ~ >	33SV4N6	33SV5/2AN6	33SV5/1AN6	33SV5N6	33SV6/2A	33SV6/1AN6	33SV6N6	33SV7/2AN6	33SV7/1AN6	33SV7N6
	101580114	101580124	101580134	101580144	101580154	101580164	101580174	101580184	101580194	101580204
T ~ >	33SV8/2AN6	33SV8/1AN6	33SV8N6							
	101580214	101580224	101580234							
Motor power	3,0	5,5	5,5	7,5	11,0	11,0	11,0	15,0	15,0	15,0
	18,5	18,5	22,0	22,0	22,0	30,0	30,0	30,0	30,0	37,0
kW >	37,0	37,0	37,0							

### Single Unit and Kit

STAGES >		1	2	3	4	5	6	7	8
10	Sleeve STD PN2	166441880	166441890	166441900	166441910	166441920	166441930	166441940	166441950
	Sleeve OPT PN4	156408600	156408610	156408620	156408630	156408640	156408650	156408660	156408670
11	Shaft	165045620	165045630	165045640	165045650	165045660	165045670	165045680	165045690
31	Tie rods kit SVN	KL22AAS	KL22AAT	KL22AAU	KL22AAV	KL22AAW	KL22AAX	KL22AAY	KL22AAZ

### Motor, Coupling, Adaptor

**1	kW >	3,0	5,5	7,5	11,0	15,0	18,5	22,0	30,0	37,0
	Motor 2P, 3 ~>	50002RF00	50013RE00	50017RB00	50019RE00	50024RB00	50025RB00	50026RE00	230646444	230646456
2	Adaptor	161453620	161453640	161453640	161453660	161453660	161453660	161453660	161453680	161453680
23	Lifting bracket		161441050	161441050	161441060	161441060	161441060	161441060	161441070	161441070
26	Coupling	KL10AAB	KL10AAC	KL10AAC	KL10AAD	KL10AAD	KL10AAD	KL10AAE	KL10AAF	KL10AAF
27	Coupling guard	KL33AAA	KL33AAB	KL33AAB	KL33AAC	KL33AAC	KL33AAC	KL33AAC	KL33AAC	KL33AAC

### Wear parts, pump body

		->33SV4	33SV4	->33SV9
	drum, impeller stop	1 bearing no drum	1 bearing drum	2 bearing drum
* 34	Wear Parts Kit	KL35AA9	KL35ABW	KL35ABB
14	Pump body	PN16	151302000	-
		PN25-40	-	151302020
28	Drum	EPDM	-	KL41AAA
		FPM	-	KL41AAD
		FEP	-	KL41AAS
29	Impeller locking	KL41AAG	-	-

### Mech seal Kit D22 + OR

*20	Materials ->	Q1BEGG	KL01AC0	STD -> Q1BEGG - OR EPDM
		Q1Q1EGG	KL01AC1	
		Q1BVGG	KL01AC2	
		Q1Q1VGG	KL01AC3	
		Q1CTGG	KL01AC5	
		Q1Q1TGG	KL01AC6	

### Common, Single Unit and Kit

4	Plugs	EPDM	KL34AAF	
		FPM	KL34AAG	
		FEP	KL34AAH	
5	Seal housing plate		160102850	
6	Upper head		161440020	
7	Spring		169100190	
8	Reduced impeller		150702820	
9	Full impeller		150702840	
15	Diffuser carbon bush		152801800	316SS
16	Last stage diffuser		152801730	316SS
*21	OR	EPDM	KL02AAA	Elastomers for Drum Pumps 33-46SV
		FPM	KL02AAD	
		FEP	KL02AA7	
30	Bush seal		KL41AAH	
32	Support tungsten bush SVN		KL16AAE	
*33	Diffuser tungsten bush		KL05AC6	From 33SV5/2A, incl.

\* Recommended spare parts - Parti di ricambio consigliate

\* Pièces détachées conseillées - Empfohlene Ersatzteile

\*\* Motor spare parts: see motor lists - Parti di ricambio motore: vedi liste motore

\*\* Pièces détachées Moteur : voir listes moteur - Motor-Ersatzteile: gem. Motorlisten

## 33SVN 4 Pole 60 Hz

Production date > Jan11

ELP 4 P, 3 ~											
N - Version T ->	33SV2N46	33SV3N46	33SV4N46	33SV5N46	33SV6N46	33SV7N46	33SV8N46	33SV9N46	SV3310N46	SV3311N46	
	101580554	101580584	101580614	101580644	101580674	101580704	101580734	101580764	101580794	101580824	
	SV3312N46	SV3313N46									
T ->	101580854	101580884									
Motor power	1,1	1,5	2,2	3,0	3,0	4,0	5,5	5,5	5,5	7,5	
kW >	7,5	7,5									

### Single Unit and Kit

10	Stages >	2	3	4	5	6	7	8	9	10	11
		12	13								
	Sleeve STD PN 2	166441890	166441900	166441910	166441920	166441930	166441940	166441950	166441960	166441970	KL13AAD
		KL13AAE	KL13AAF	< Double Sleeve Kit Without Sleeve Ring ( item 35 )							
	Sleeve OPT PN4	156408610	156408620	156408630	156408640	156408650	156408660	156408670	156408680	156408690	KL13AAA
		KL13AAB	KL13AAC	< Double Sleeve Kit Without Sleeve Ring ( item 35 )							
11	Shaft	165045630	165045640	165045650	165045660	165045670	165045680	165045690	165045700	165045710	165045720
		165045730	165045740								
31	Tie rods kit SVG	KL22AAT	KL22AAU	KL22AAV	KL22AAW	KL22AAX	KL22AAY	KL22AAZ	KL22AA0	KL22AA1	KL22AA2
		KL22AA3	KL22AA4								

### Motor, Coupling, Adaptor

**1	kW >	1,1	1,5	2,2	3,0	4,0	5,5	7,5
	Motor 4P, 3~ ->	50005RD00	50006RD00	50010RD00	50011RD00	50015RD00	50020RB00	50021RB00
2	Adaptor	161453600	161453600	161453620	161453620	161453620	161453640	161453640
23	Lifting bracket						161441050	161441050
26	Coupling		KL10AAA	KL10AAB	KL10AAB	KL10AAB	KL10AAC	KL10AAC
27	Coupling guard		KL33AAA	KL33AAA	KL33AAA	KL33AAA	KL33AAB	KL33AAB

### Wear parts, pump body

	->33SV4	->33SV9	->33SV13
impeller stop, impeller locking	1 bearing no drum	2 bearing no drum	3 bearing no drum
* 34 Wear Parts Kit	KL35AA9	KL35ABA	KL35ABC
14 Pump body PN16	151302000	151302000	151302000
29 Impeller locking	KL41AAG	KL41AAG	KL41AAG

### Mech seal Kit D22 + OR

*20	Materials ->	Q1BEGG	KL01AC0	STD -> Q1BEGG - OR EPDM
		Q1Q1EGG	KL01AC1	
		Q1BVGG	KL01AC2	
		Q1Q1VGG	KL01AC3	
		Q1CTGG	KL01AC5	
		Q1Q1TGG	KL01AC6	

### Common, Single Unit and Kit

4	Plugs	EPDM	KL34AAF	
		FPM	KL34AAG	
		FEP	KL34AAH	
5	Seal housing plate		160102850	
6	Upper head		161440020	
7	Spring		169100190	
8	Rreduced impeller		150702820	
9	Full impeller		150702840	
15	Diffuser carbon bush		152801800	316SS
16	Last stage diffuser		152801730	316SS
*21	OR	EPDM	KL02AAA	Single-Double Sleeve
		FPM	KL02AAD	
	OR	FEP	KL02AA7	Single Sleeve
		FPM	KL02AAE	
	OR	FEP	KL02AA8	Double Sleeve
30	Bush seal		KL41AAH	
32	Support tungsten bush SVN		KL16AAE	
*33	Diffuser tungsten bush		KL05AC6	From 33SV5 included
35	Sleeve ring		168601910	For 11-12-13 STages Pumps
	Diffuser box empty		152801960	33-46SV 2-4 pole

\* Recommended spare parts - Parti di ricambio consigliate

\* Pièces détachées conseillées - Empfohlene Ersatzteile

\*\* Motor spare parts: see motor lists - Parti di ricambio motore: vedi liste motore

\*\* Pièces détachées Moteur : voir listes moteur - Motor-Ersatzteile: gem. Motorlisten

33-92SV\_N\_6\_Jan11\_EdC

## 46SVN 2 Pole 60 Hz

Production date > Jan11

ELP 2 P, 3 ~										
N - Version T ~ >	46SV1/1AN6	46SV1N6	46SV2/2AN6	46SV2/1AN6	46SV2N6	46SV3/2AN6	46SV3/1AN6	46SV3N6	46SV4/2AN6	46SV4/1AN6
	101582014	101582024	101582034	101582044	101582054	101582074	101582084	101582094	101582114	101582124
T ~ >	46SV4N6	46SV5/2AN6	46SV5/1AN6	46SV5N6	46SV6/2AN6	46SV6/1AN6	46SV6N6	46SV7/2AN6	46SV7/1AN6	46SV7N6
	101582134	101582154	101582164	101582174	101582194	101582204	101582214	101582234	101582244	101582254
Motor power kW >	5.5	7.5	11.0	11.0	15.0	18.5	18.5	18.5	22.0	30.0
	30.0	30.0	30.0	30.0	37.0	37.0	37.0	45.0	45.0	45.0

### Single Unit and Kit

10	Stages >	1	2	3	4	5	6	7	
	Sleeve STD PN2	166441880	166441890	166441900	166441910	166441920	166441930	166441940	304SS, PN 25
	Sleeve OPT PN4	156408600	156408610	156408620	156408630	156408640	156408650	156408660	316SS, PN 40
11	Shaft	165045620	165045630	165045640	165045650	165045660	165045670	165045680	431SS
31	Tie rods kit SVN	KL22AAS	KL22AAT	KL22AAU	KL22AAV	KL22AAW	KL22AAX	KL22AAY	

### Motor, Coupling, Adaptor

**1	kW >	5.5	7.5	11.0	15.0	18.5	22.0	30.0	37.0	45.0
	Motor 2P, 3->	50013RE00	50017RB00	50019RE00	50024RB00	50025RB00	50026RE00	230646444	230646456	23064646T
2	Adaptor	161453640	161453640	161453660	161453660	161453660	161453660	161453680	161453680	161453700
23	Lifting bracket	161441050	161441050	161441060	161441060	161441060	161441060	161441070	161441070	161441070
26	Coupling	KL10AAC	KL10AAC	KL10AAD	KL10AAD	KL10AAD	KL10AAE	KL10AAF	KL10AAF	KL10AAF
27	Coupling guard	KL33AAB	KL33AAB	KL33AAC	KL33AAC	KL33AAC	KL33AAC	KL33AAC	KL33AAC	KL33AAC

### Wear parts, pump body

		->46SV3	->46SV4	->46SV9
	drum, impeller stop, impeller locking	1 bearing no drum	1 bearing drum	2 bearing drum
*34	Wear Parts Kit	KL35ABE	KL35ABX	KL35ABG
14	Pump body	PN16	151302040	-
		PN16-40	-	151302060
28	Drum	EPDM	KL41AAB	KL41AAB
		FPM	KL41AAE	KL41AAE
		FEP	KL41AAT	KL41AAT
29	Impeller locking	KL41AAG	-	-

### Mech seal Kit D22 + OR

*20	Materials ->	Q1BEGG	KL01AC0	STD -> Q1BEGG - OR EPDM
		Q1Q1EGG	KL01AC1	
		Q1BVGG	KL01AC2	
		Q1Q1VGG	KL01AC3	
		Q1CTGG	KL01AC5	
		Q1Q1TGG	KL01AC6	

### Common, Single Unit and Kit

4	Plugs	EPDM	KL34AAF	
		FPM	KL34AAG	
		FEP	KL34AAH	
5	Seal housing plate	160102850		
6	Upper head	161440020		
7	Spring	169100190		
8	Reduced impeller	150702830		
9	Full impeller	150702750		
15	Diffuser carbon bush	152801810	316SS	
16	Last stage diffuser	152801730	316SS	
*21	OR	EPDM	KL02AAA	Elastomers for Drum Pumps 33-46SV
		FPM	KL02AAD	
		FEP	KL02AA7	
30	Bush seal	KL41AAH		
32	Support tungsten bush SVN	KL16AAF		
*33	Diffuser tungsten bush	KL05AC7	From 46SV5/2A, included	

\* Recommended spare parts - Parti di ricambio consigliate

\* Pièces détachées conseillées - Empfohlene Ersatzteile

\*\* Motor spare parts: see motor lists - Parti di ricambio motore: vedi liste motore

\*\* Pièces détachées Moteur : voir listes moteur - Motor-Ersatzteile: gem. Motorlisten

33-92SV\_N\_6\_Jan11\_EdC

## 46SVN 4 Pole 60 Hz

ELP 4 P, 3 ~										
N - Version	46SV2N46	46SV3N46	46SV4N46	46SV5N46	46SV6N46	46SV7N46	46SV8N46	46SV9N46	SV4610N46	SV1611N46
3 ->	101582554	101582584	101582614	101582644	101582674	101582704	101582734	101582764	101582794	101582824
	SV4612N46	SV4613N46								
3 ->	101582854	101582884								
Motor power	1,5	2,2	3,0	4,0	5,5	5,5	7,5	7,5	7,5	11,0
kW >	11,0	11,0								

### Single Unit and Kit

10	Stages >	2	3	4	5	6	7	8	9	10	11
	Sleeve STD PN2	166441890	166441900	166441910	166441920	166441930	166441940	166441950	166441960	166441970	KL13AAD
		KL13AAE	KL13AAF	< Double Sleeve Kit Without Sleeve Ring ( item 35 )							
	Sleeve OPT PN4	156408610	156408620	156408630	156408640	156408650	156408660	156408670	156408680	156408690	KL13AAA
		KL13AAB	KL13AAC	< Double Sleeve Kit Without Sleeve Ring ( item 35 )							
11	Shaft	165045630	165045640	165045650	165045660	165045670	165045680	165045690	165045700	165045710	165045720
		165045730	165045740								
31	Tie rods kit SVN	KL22AAT	KL22AAU	KL22AAV	KL22AAW	KL22AAX	KL22AAY	KL22AAZ	KL22AA0	KL22AA1	KL22AA2
		KL22AA3	KL22AA4								

### Motor, Coupling, Adaptor

**1	kW >	1,5	2,2	3,0	4,0	5,5	7,5	11,0
	Motor 2P ->	50006RD00	50010RD00	50011RD00	50015RD00	50020RB00	50021RB00	50027RB00
2	Adaptor	161453600	161453620	161453620	161453620	161453640	161453640	161453660
23	Lifting bracket					161441050	161441050	161441060
26	Coupling	KL10AAA	KL10AAB	KL10AAB	KL10AAB	KL10AAC	KL10AAC	KL10AAD
27	Coupling guard	KL33AAA	KL33AAA	KL33AAA	KL33AAA	KL33AAB	KL33AAB	KL33AAC

### Wear parts, pump body

		->46SV4	->46SV9	->46SV13
	impeller stop, impeller locking	1 bearing no drum	2 bearing no drum	3 bearing no drum
*34	Wear Parts Kit	KL35ABE	KL35ABF	KL35ABH
14	Pump body PN16	151302060	151302060	151302060
29	Impeller locking	KL41AAG	KL41AAG	KL41AAG

### Mech seal Kit D22 + OR

*20	Materials ->	Q1BEGG	KL01AC0	STD -> Q1BEGG - OR EPDM
		Q1Q1EGG	KL01AC1	
		Q1BVGG	KL01AC2	
		Q1Q1VGG	KL01AC3	
		Q1CTGG	KL01AC5	
		Q1Q1TGG	KL01AC6	

### Common, Single Unit and Kit

4	Plugs	EPDM	KL34AAF	
		FPM	KL34AAG	
		FEP	KL34AAH	
5	Seal housing plate		160102850	
6	Upper head		161440020	
7	Spring		169100190	
8	Reduced impeller		150702830	
9	Full impeller		150702750	
15	Diffuser carbon bush		152801810	316SS
16	Last stage diffuser		152801730	316SS
*21	OR	EPDM	KL02AAA	Single-Double Sleeve
	OR	FPM	KL02AAD	
		FEP	KL02AA7	Single Sleeve
	OR	FPM	KL02AAE	
		FEP	KL02AA8	Double Sleeve
30	Bush seal		KL41AAH	
32	Support tungsten bush SVN		KL16AAF	
*33	Diffuser tungsten bush		KL05AC7	From 46SV5, included
35	Sleeve ring		168601910	For 11-12-13 STAGES Double Sleeve Pumps
	Diffuser box empty		152801960	33-46SV 2-4 pole

\* Recommended spare parts - Parti di ricambio consigliate

\* Pièces détachées conseillées - Empfohlene Ersatzteile

\*\* Motor spare parts: see motor lists - Parti di ricambio motore: vedi liste motore

\*\* Pièces détachées Moteur : voir listes moteur - Motor-Ersatzteile: gem. Motorlisten

## 66SVN 2 Pole 60 Hz

ELP 2 P, 3 ~		66SV1/1AN6	66SV1N6	66SV2/2AN6	66SV2/1AN6	66SV2N6	66SV3/2AN6	66SV3/1AN6	66SV3N6	66SV4/2AN6	66SV4/1AN6
N - Version	T ~>	101584014	101584024	101584034	101584044	101584054	101584064	101584074	101584084	101584094	101584104
	T ~>	101584114	101584124	101584134	101584144						
Motor power		7.5	11.0	15.0	18.5	18.5	22.0	30.0	30.0	37.0	37.0
	kW >	37.0	45.0	45.0	45.0						

### Single Unit and Kit

10	Stages >	1	2	3	4	5
	Sleeve STD PN2	166442080	166442090	166442100	166442110	166442120
	Sleeve OPT PN4	156408750	156408760	156408770	156408780	156408790
11	Shaft	165045780	165045790	165045800	165045810	165045820
31	Tie rods kit SVN	KL22ABC	KL22ABD	KL22ABE	KL22ABF	KL22AAX

### Motor, Coupling, Motor Adaptor

**1	kW >	7.5	11.0	15.0	18.5	22.0	30.0	37.0	45.0
	Motor 2P, 3- >	50017RB00	50019RE00	50024RB00	50025RB00	50026RE00	230646444	230646456	23064646T
2	Adaptor	161453640	161453660	161453660	161453660	161453660	161453680	161453680	161453700
23	Lifting bracket	161441050	161441060	161441060	161441060	161441060	161441070	161441070	161441070
26	Coupling	KL10AAC	KL10AAD	KL10AAD	KL10AAD	KL10AAE	KL10AAF	KL10AAF	KL10AAF
27	Coupling guard	KL33AAB	KL33AAC	KL33AAC	KL33AAC	KL33AAC	KL33AAC	KL33AAC	KL33AAC

### Wear parts, pump body drum, impeller stop, impeller locking

		->66SV2	->66SV3	->66SV6
		1 bearing no drum	1 bearing drum	2 bearing drum
*34	Wear Parts kit	KL35ABL	KL35ABY	KL35ABN
14	Pump body	PN16	151302070	151302090
		PN25	-	-
28	Drum	EPDM	-	KL41AAC
		FPM	-	KL41AAF
		FEP	-	KL41AAU
29	Impeller locking	KL41AAG	-	-

### Mech seal Kit D22 + OR

*20	Materials ->	Q1BEGG	KL01AC0	STD -> Q1BEGG - OR EPDM
		Q1Q1EGG	KL01AC1	
		Q1BVGG	KL01AC2	
		Q1Q1VGG	KL01AC3	
		Q1CTGG	KL01AC5	
		Q1Q1TGG	KL01AC6	

### Common, Single Unit and Kit

4	Plugs	EPDM	KL34AAF	
		FPM	KL34AAG	
		FEP	KL34AAH	
5	Seal housing plate	160102850		
6	Upper head	161440040		
7	Spring	169100210		
8	Reduced impeller	150702840		
9	Full impeller	150702760		
15	Diffuser carbon bush	152801820	316SS	
16	Last stage diffuser	152801750	316SS	
*21	OR	EPDM	KL02AAC	
		FPM	KL02AAF	
		FEP	KL02AA9	
30	Bush seal	KL41AAH		
32	Support tungsten bush SVN	KL16AAG		
*33	Diffuser tungsten bush	KL05AC8	From 66SV4/2A, included	

\* Recommended spare parts - Parti di ricambio consigliate

\* Pièces détachées conseillées - Empfohlene Ersatzteile

\*\* Motor spare parts: see motor lists - Parti di ricambio motore: vedi liste motore

\*\* Pièces détachées Moteur : voir listes moteur - Motor-Ersatzteile: gem. Motorlisten

## 66SVN 4 Pole 60 Hz

ELP 4 P, 3 ~								
N - Version	66SV1N46	66SV2N46	66SV3N46	66SV4N46	66SV5N46	66SV6N46	66SV7N46	66SV8N46
T ->	101584524	101584554	101584584	101584614	101584644	101584674	101584704	101584734
Mot. power, kW ->	1,5	3,0	4,0	5,5	7,5	7,5	11,0	11,0

### Single Unit and Kit

10	Stages >	1	2	3	4	5	6	7	8
	Sleeve STD PN2	166442080	166442090	166442100	166442110	166442120	166442130	166442140	166442150
	Sleeve OPT PN4	156408750	156408760	156408770	156408780	156408790	156408800	156408810	156408820
11	Shaft	165045780	165045790	165045800	165045810	165045820	165045830	165045840	165045850
31	Tie rods kit SVN	KL22ABC	KL22ABD	KL22ABE	KL22ABF	KL22AAX	KL22ABG	KL22ABH	KL22ABK

### Motor, Coupling, Motor Adaptor

**1	kW >	1.5	3.0	4.0	5.5	7,5	11.0
	Motor 4P, 3->	50006RD00	50011RD00	50015RD00	50020RB00	50021RB00	50027RB00
2	Adaptor	161453600	161453620	161453620	161453640	161453640	161453660
23	Lifting bracket				161441050	161441050	161441060
26	Coupling	KL10AAA	KL10AAB	KL10AAB	KL10AAC	KL10AAC	KL10AAD
27	Coupling guard	KL33AAA	KL33AAA	KL33AAA	KL33AAB	KL33AAB	KL33AAC

### Wear parts, pump body

impeller stop, impeller lock		->66SV3	->66SV6	->66SV8
		1 bearing no drum	2 bearing no drum	3 bearing no drum
*34	Wear parts kit	KL35ABL	KL35ABM	KL35ABP
14	Pump body PN16	151302070	151302070	151302070
29	Impeller locking	KL41AAG	KL41AAG	KL41AAG

### Mech seal Kit D22 + OR

*20	Materials ->	Q1BEGG	KL01AC0	STD -> Q1BEGG - OR EPDM
		Q1Q1EGG	KL01AC1	
		Q1BVGG	KL01AC2	
		Q1Q1VGG	KL01AC3	
		Q1CTGG	KL01AC5	
		Q1Q1TGG	KL01AC6	

### Common, Single Unit and Kit

4	Plugs	EPDM	KL34AAF	
		FPM	KL34AAG	
		FEP	KL34AAH	
5	Seal housing plate		160102850	
6	Upper head		161440040	
7	Spring		169100210	
8	Reduced impeller		150702840	
9	Full impeller		150702760	
15	Diffuser carbon bush		152801820	316SS
16	Last stage diffuser		152801750	316SS
*21	OR	EPDM	KL02AAC	
		FPM	KL02AAF	
		FEP	KL02AA9	
30	Bush seal		KL41AAH	
32	Support tungsten bush SVN		KL16AAG	
*33	Diffuser tungsten bush		KL05AC8	From 66SV4, included
	Diffuser box empty		152801970	66-92SV 2-4 pole

\* Recommended spare parts - Parti di ricambio consigliate

\* Pièces détachées conseillées - Empfohlene Ersatzteile

\*\* Motor spare parts: see motor lists - Parti di ricambio motore: vedi liste motore

\*\* Pièces détachées Moteur : voir listes moteur - Motor-Ersatzteile: gem. Motorlisten



## 92SVN 2 Pole 60 Hz

ELP 2 P, 3 ~	92SV1/1AN6	92SV1N6	92SV2/2AN6	92SV2/1AN6	92SV2N6	92SV3/2AN6	92SV3/1AN6	92SV3N6	92SV4/2AN6
N - Version									
T ~ >	101586014	101586024	101586034	101586044	101586054	101586074	101586084	101586094	101586114
Mot power kW >	11.0	15.0	18.5	22.0	30.0	37.0	37.0	45.0	45.0

### Single Unit and Kit

10	Stages >	1	2	3	4
	Sleeve STD PN2	166442080	166442090	166442100	166442110
	Sleeve OPT PN4	156408750	156408760	156408770	156408780
11	Shaft	165045780	165045790	165045800	165045810
31	Tie rods kit SVN	KL22ABC	KL22ABD	KL22ABE	KL22ABF

### Motor, Coupling, Motor Adaptor

**1	kW ->	11.0	15.0	18.5	22.0	30.0	37.0	45.0
	Mot. 2P, 3~ ->	50019RE00	50024RB00	50025RB00	50026RE00	230646444	230646456	23064646T
2	Adaptor	161453660	161453660	161453660	161453660	161453680	161453680	161453700
23	Lifting bracket	161441060	161441060	161441060	161441060	161441070	161441070	161441070
26	Coupling	KL10AAD	KL10AAD	KL10AAD	KL10AAE	KL10AAF	KL10AAF	KL10AAF
27	Coupling guard	KL33AAC	KL33AAC	KL33AAC	KL33AAC	KL33AAC	KL33AAC	KL33AAC

### Wear parts, pump body

		->92SV2	->92SV3	->92SV6
drum, impeller stop, impeller locking		1 bearing no drum	1 bearing drum	2 bearing drum
*34	Wear parts Kit	KL35ABR	KL35ABZ	KL35ABT
14	Pump body PN16	151302070	151302090	151302090
28	Drum	EPDM	-	KL41AAC
		FPM	-	KL41AAF
		FEP	-	KL41AAU
29	Impeller locking	KL41AAG	-	-

### Mech seal Kit D22 + OR

*20	Materials ->	Q1BEGG	KL01AC0	STD -> Q1BEGG - OR EPDM
		Q1Q1EGG	KL01AC1	
		Q1BVGG	KL01AC2	
		Q1Q1VGG	KL01AC3	
		Q1CTGG	KL01AC5	
		Q1Q1TGG	KL01AC6	

### Common, Single Unit and Kit

4	Plugs	EPDM	KL34AAF	
		FPM	KL34AAG	
		FEP	KL34AAH	
5	Seal housing plate		160102850	
6	Upper head		161440040	
7	Spring		169100210	
8	Reduced impeller		150702850	
9	Full impeller		150702770	
15	Diffuser carbon bush		152801830	316SS
16	Last stage diffuser		152801750	316SS
*21	OR	EPDM	KL02AAC	
		FPM	KL02AAF	
		FEP	KL02AA9	
30	Bush seal		KL41AAH	
32	Support tungsten bush SVN		KL16AAH	
*33	Diffuser tungsten bush		KL05AC9	From 92SV4/2A, included

\* Recommended spare parts - Parti di ricambio consigliate

\* Pièces détachées conseillées - Empfohlene Ersatzteile

\*\* Motor spare parts: see motor lists - Parti di ricambio motore: vedi liste motore

\*\* Pièces détachées Moteur : voir listes moteur - Motor-Ersatzteile: gem. Motorlisten

## 92SVN 4 Pole 60 Hz

ELP 4 P, 3 ~								
N - Version	92SV1N46	92SV2N46	92SV3N46	92SV4N46	92SV5N46	92SV6N46	92SV7N46	92SV8N46
T ~>	101586524	101586554	101586584	101586614	101586644	101586674	101586704	101586734
Mot. power, kW >	1,5	3,0	5,5	7,5	7,5	11,0	11,0	15,0

### Single Unit and Kit

10	Stages >	1	2	3	4	5	6	7	8
	Sleeve STD PN2	166442080	166442090	166442100	166442110	166442120	166442130	166442140	166442150
	Sleeve OPT PN4	156408750	156408760	156408770	156408780	156408790	156408800	156408810	156408820
11	Shaft	165045780	165045790	165045800	165045810	165045820	165045830	165045840	165045850
31	Tie rods kit SVF	KL22ABC	KL22ABD	KL22ABE	KL22ABF	KL22AAX	KL22ABG	KL22ABH	KL22ABK

### Motor, Coupling, Motor Adaptor

**1	kW ->	1,5	3,0	5,5	7,5	11,0	15,0
	Mot. 4P, 3~ ->	50006RD00	50011RD00	53020RB00	53021RB00	50027RB00	50028RB00
2	Adaptor	161453600	161453620	161453640	161453640	161453660	161453640
23	Lifting bracket			161441050	161441050	161441060	161441060
26	Coupling	KL10AAA	KL10AAB	KL10AAC	KL10AAC	KL10AAD	KL10AAD
27	Coupling guard	KL33AAA	KL33AAA	KL33AAB	KL33AAB	KL33AAC	KL33AAC

### Wear parts, pump body

		-> 92SV3	-> 92SV6	-> 92SV8
impeller stop, impeller locking		1 bearing no drum	2 bearing no drum	3 bearing no drum
*34	Wear parts Kit	KL35ABR	KL35ABS	KL35ABU
14	Pump body PN16	151302070	151302070	151302070
29	Impeller locking	KL41AAG	KL41AAG	KL41AAG

### Mech seal Kit D22 + OR

*20	Materials ->	Q1BEGG	KL01AC0	STD -> Q1BEGG - OR EPDM
		Q1Q1EGG	KL01AC1	
		Q1BVGG	KL01AC2	
		Q1Q1VGG	KL01AC3	
		Q1CTGG	KL01AC5	
		Q1Q1TGG	KL01AC6	

### Common, Single Unit and Kit

4	Plugs	EPDM	KL34AAF	
		FPM	KL34AAG	
		FEP	KL34AAH	
5	Seal housing plate		160102850	
6	Upper head		161440040	
7	Spring		169100210	
8	Reduced impeller		150702850	
9	Full impeller		150702770	
15	Diffuser carbon bush		152801830	316SS
16	Last stage diffuser		152801750	316SS
*21	OR	EPDM	KL02AAC	
		FPM	KL02AAF	
		FEP	KL02AA9	
30	Bush seal		KL41AAH	
32	Support tungsten bush SVN		KL16AAH	
*33	Diffuser tungsten bush		KL05AC9	From 92SV4, included
	Diffuser box empty		152801970	66-92SV 2-4 pole

\* Recommended spare parts - Parti di ricambio consigliate

\* Pièces détachées conseillées - Empfohlene Ersatzteile

\*\* Motor spare parts: see motor lists - Parti di ricambio motore: vedi liste motore

\*\* Pièces détachées Moteur : voir listes moteur - Motor-Ersatzteile: gem. Motorlisten

33-92SV\_N\_6\_Jan11\_EdC