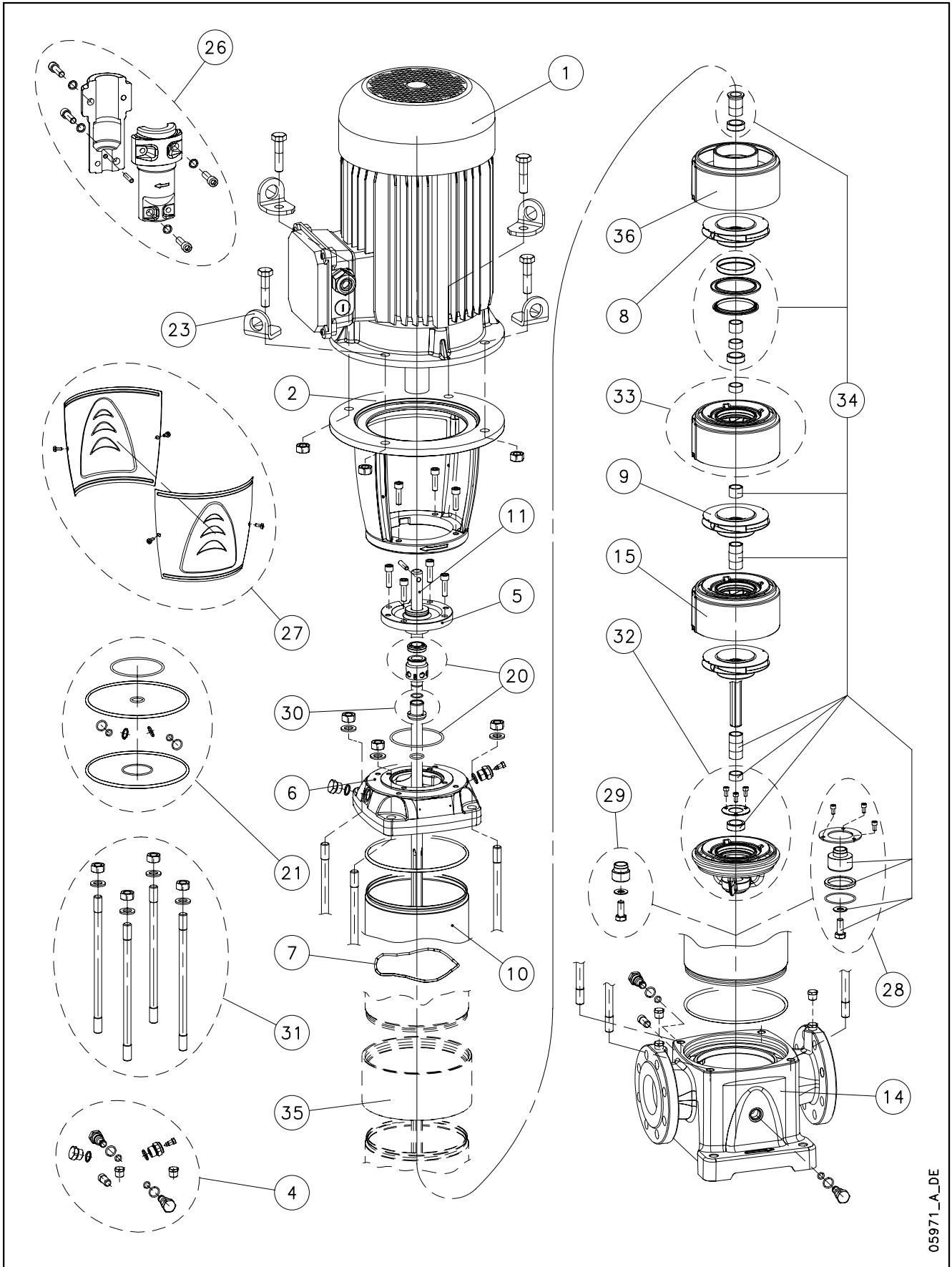


## 33, 46, 66, 92 SV..H (150°C)



05971\_A\_DE

Lowara, Flygt and Vogel Pumpen are trademarks of Xylem Inc. or one of its subsidiaries. Goulds is a registered trademark of Goulds Pumps, Inc. and is used under license.

N.	Descrizione It	Description en	Description fr	Beschreibung de	Descripción es	Descrição pt
	33-92SV..H (150 °C)					
1	Motore	Motor	Moteur	Motor	Motor	Motor
2	Lanterna	Adaptor	Lanterne	Motorlaterne	Adaptador	Adaptador
4	Tappi	Plugs	Bouchons	Stopfen	Tapones	Tampões
5	Disco porta tenuta	Seal housing plate	Disque de support garniture	Dichtungsdeckel	Disco de alojamiento sello	Disco porta-vedante
6	Testata superiore	Upper head	Tête supérieure	Oberer kopf	Cabezal superior	Cabeça superior
7	Molla	Spring	Ressort	Feder	Muelle	Mola
8	Girante ridotta	Reduced impeller	Roue réduite	Lauftrad, reduzierter Durchmesser	Rodete, reducido	Impulsor reduzido
9	Girante piena	Full impeller	Roue pleine	Lauftrad, voller Durchmesser	Rodete, completo	Impulsor completo
10	Camicia	Sleeve	Chemise	Gehäuse	Camisa	Camisa
11	Albero	Shaft	Arbre	Welle	Árbol	Veio
14	Corpo pompa	Pump body	Corps de pompe	Pumpengehäuse	Caja bomba	Corpo da bomba
15	Diffusore boccola carbone	Diffuser carbon bush	Diffuseur douille carbone	Diffusor und Büchse, Kohle	Difusor casquillo carbón	Difusor bucha carvão
20	Kit tenuta mecc. + OR	Mechanical seal + OR kit	Kit garniture méc. + joints toriques	Gleitringdichtung + O-Ring [Satz]	Kit sello mec. + junta tórica	Kit vedante mec. + OR
21	Kit guarnizioni OR	O ring kit	Kit joints toriques	Dichtungssatz	Kit juntas tóricas	Kit guarnições OR
23	Anello sollevamento	Lifting ring	Anneau de levage	Huböse	Anillo de elevación	Anel de suspensão
26	Kit coppia di semigiunti	Pair of half coupling kit	Kit paire de demi-manchons	Kupplung [Satz]	Kit par de semijuntas	Kit par de semi-juntas
27	Kit protezione giunto	Coupling guard kit	Kit protection manchon	Kupplungsschutz [Satz]	Kit protección junta	Kit protecção junta
28	Kit tamburo reggispinta	Thrust drum kit	Kit tambour butée	Drucklagerscheibe [Satz]	Kit tambor de empuje	Kit tambor de impulso
29	Kit bloccaggio giranti	Impeller locking kit	Kit blocage roues	Lauftrad Halt [Satz]	Kit bloqueo rodetes	Kit bloqueio impulsores
30	Kit bussola tenuta	Bush seal kit	Kit douille garniture	ringdichtungsarretierung und mitneh	Kit casquillo sello	kit bucha vedante
31	Kit tiranti	Tie rods kit	Kit tirants	Zugstangen [Satz]	Kit tirantes	Kit tirantes
32	Kit supporto boccola Widia	Support tungsten bush kit	Kit support douille Widia	Widia Halterung [Satz]	Kit soporte casquillo Widia	Kit suporte com tungstênio bucha
33	Kit diffusore boccola Widia	Diffuser tungsten bush kit	Kit diffuseur douille Widia	Diffusor mit Widia Büchse [Satz]	Kit difusor casquillo Widia	Kit difusor com tungstênio bucha
34	Kit parti di usura	Wear parts kit	Kit parties d'usure	Verschleißteile [Satz]	Kit piezas de desgaste	Kit peças desgastáveis
35	Anello per camicie	Sleeve ring	Anneau pour chemises	Ringhülse	Anillo para camisas	Anel para camisas
36	Diffusore finale HT	Final diffuser HT	Diffuseur dernier étage HT	Enddiffusor HT	Difusor final HT	Difusor final HT
HT	Alta Temperatura	High Temperature	Haute Température	Hochtemperatur	Altas Temperaturas	Temperatura Elevada
N.	Beschrijving nl	Περιγραφή el	Açıklama tr	Kuvaus fi	Описание ru	Opis pl
	33-92SV..H (150 °C)					
1	Motor	Πλήρης κινητήρας	Motor	Moottori	Двигатель	Silnik
2	Lantaarnstuk	Μπρακέτο	Adaptör	Sovitin	Крестовина	Piasta
4	Pluggen	Σετ ταπών	Tapalar	Tulpat	Пробки	Zatyczki
5	Dichtingssteunplaat	Δίσκος μηχανικού στυπιοθλίπτη	Sızdırmazlık elemanı diski	Tiivisteenn kannatuslevy	Пластина держателя прокладки	Tarcza uszczelki
6	Bovenste kop	Κεφαλή αντλίας	Üst kafa	Yläkansi	Верхняя головка	Głowica górna
7	Veer	Έλασμα	Yay	Jousi	Пружина	Sprężyna
8	Waaier met verkleinde diameter	Πτερύγιο μειωμένης διαμέτρου	Küçük boyulu pompa rotoru	Pieni juoksupyörä	Уменьшенное рабочее колесо	Wirnik niepełny
9	Volle waaier	Πτερύγιο πλήρους διαμέτρου	Tam boyulu pompa rotoru	Täydellinen juoksupyörä	Полное рабочее колесо	Wirnik pełny
10	Mantel	Κέλυφος	Gömlék	Muhvi	Муфта	Płaszcz
11	As	Άξονας	Mil	Akseli	Вал	Wał
14	Pomphuis	Σώμα αντλίας	Pompa gövdesi	Pumpun runko	Корпус насоса	Korpus pompy
15	Diffusor koollager	Πτερύγιο εκτροπής με κουζινέτο	Karbon burçlu difüzör	Diffuusori ja hiiliholkki	Диффузор втулки угля	Dyfuzor tulejki węgla
20	Set mech. asafdichting + O-ring	Μηχανικός στυπιοθλίπτης και ροδέλες στεγανοποίησης	Mekanik salmastra kiti + O-Ring	Mek. tiiviste + O-rengassarja	Комплект мех.прокладки + OR	Zestaw uszcz.mech. + OR
21	Set O-ringafdichtingen	Σετ ροδέλες στεγανοποίησης	O-Ring kiti	O-rengassarja	Комплект кольцевых прокладок OR	Zestaw uszczcelek OR
23	Hijs ring	Άρση δακτυλίδι	Cihaz kaldırma	Nostorengas	Подъемные кольца	Pierścień podnoszenia
26	Set koppelingshelften	Σετ σταθερού συνδέσμου	Çift yarım manşon kiti	Liitinsarja	Комплект пары полумуфт	Zestaw pary półzłączy
27	Set koppelingsbescherming	Καλύμματα προστασίας σταθερού συνδέσμου	Manşon koruma kiti	Liitoksen suojuussarja	Комплект защиты муфт	Zestaw ochronny złączy
28	Set druklagertrommel	Σετ ωστικού εμβόλου	Basınç yatağı tambur kiti	Rumpusarja	Комплект упорного барабана	Testaw bębna łożyska oporowego
29	Set afdichtingsbus	Σετ ασφάλισης περυγιών	Pompa rotorlarını sabitleme kiti	Juoksupyörien kiinnitysarja	Комплект блокировки раб. колес	Zestaw blokujący wirniki
30	Set afdichtingsbus	Σετ κουζινέτου μηχανικού στυπιοθλίπτη	Sızdırmazlık elemanı burcu kiti	Holkki ja tiiviste	Комплект втулки уплотнения	Zestaw busoli uszczel.
31	Set trekstangen	Σετ ράβδων σύνδεσης	Gergi çubuğu kiti	Vetotankosarja	Комплект тяг	Zestaw napinaczy
32	Set Widia steunbus	Σετ κάτω κουζινέτου	Tungsten burç mesnedi kiti	Kannatin ja kovametalliholkki	Комплект опоры втулки Widia	Zestaw wspornika tulejki Wolfram
33	Set Widia diffusorbus	Σετ περυγιού εκτροπής με κουζινέτο και δακτύλιο τριβής	Tungsten burçlu difüzör kiti	Diffuusori ja kovametalliholkki	Комплект диффузора втулки Widia	Zestaw dyfusora tulejki Wolfram
34	Set slijtonderdelen	Σετ δακτυλίων τριβής	Aşınma parçaları kiti	Kulumisiosien sarja	Комплект изнашиваемых частей	Zestaw części podl. zużyciu
35	Ring voor mantels	Σύνδεσμος κελύφων	Gömlék halkası	Muhvirengas	Кольцо муфты	Pierścień do płaszczy
36	Diffusor laatste trap HT	Τελευταίο πτερύγιο εκτροπής HT	Son difüzör HT	Loppuvaiheen diffusori HT	Конечный диффузор HT	Dyfuzor końcowy HT
HT	Hoge Temperaturen	Υψηλής θερμοκρασίας	Yüksek isi	Korkea lämpötila	Высокая температура	Wysokiej Temperatury

## 33SVNH 2 Pole 60Hz (33SVNH/D: motors IE3 fitted)

ELP 2 P, 3 ~										
N - Version	33SV1/1ANH6	33SV1NH6	33SV2/2ANH6	33SV2/1ANH6	33SV2NH6	33SV3/2ANH6	33SV3/1ANH6	33SV3NH6	33SV4/2ANH6	33SV4/1ANH6
T(IE2) ~ >	10158001J	10158002J	10158003J	10158004J	10158005J	10158006J	10158007J	10158008J	10158009J	10158010J
T(IE3) ~ >	10169001J	10169002J	10169003J	10169004J	10169005J	10169006J	10169007J	10169008J	10169009J	10169010J
	<b>33SV4NH6</b>	<b>33SV5/2ANH6</b>	<b>33SV5/1ANH6</b>	<b>33SV5NH6</b>	<b>33SV6/2A</b>	<b>33SV6/1ANH6</b>	<b>33SV6NH6</b>			
T(IE2) ~ >	10158011J	10158012J	10158013J	10158014J	10158015J	10158016J	10158017J			
T(IE3) ~ >	10169011J	10169012J	10169013J	10169014J	10169015J	10169016J	10169017J			
Motor power	<b>3,0</b>	5,5	5,5	<b>7,5</b>	11,0	11,0	11,0	<b>15,0</b>	<b>15,0</b>	<b>15,0</b>
kW >	18,5	18,5	<b>22,0</b>	<b>22,0</b>	<b>22,0</b>	30,0	30,0			

### Single Unit and Kit

STAGES >		1	2	3	4	5	6	
10	Sleeve STD PN25	166441880	166441890	166441900	166441910	166441920	166441930	316SS, PN25
	Sleeve OPT PN40	156408600	156408610	156408620	156408630	156408640	156408650	316SS, PN40
11	Shaft	165045620	165045630	165045640	165045650	165045660	165045670	Duplex AF51
31	Tie rods kit SVN	KL22AAS	KL22AAT	KL22AAU	KL22AAV	KL22AAW	KL22AAX	

### Motor, Coupling, Adaptor

**1	kW >	3,0	5,5	7,5	11,0	15,0	18,5	22,0	30,0
	Motor 2P, 3 ~, IE2 >	<b>50002PF00</b>	50013PE00	<b>50017PB00</b>	50019PE00	<b>50024PB00</b>	50025PB00	<b>50026PE00</b>	107242103
	Motor 2P, 3 ~, IE3 >	<b>50A02PF00</b>	50A13PE00	<b>50A17PB00</b>	50A19PE00	<b>50A24PB00</b>	50A25PB00	<b>50A26PE00</b>	107242603
2	Adaptor	161453620	161453640	161453640	161453660	161453660	161453660	161453660	161453680
23	Lifting bracket	-	161441050	161441050	161441060	161441060	161441060	161441060	161441070
26	Coupling	KL10AAB	KL10AAC	KL10AAC	KL10AAD	KL10AAD	KL10AAD	KL10AAE	KL10AAF
27	Coupling guard	KL33AAA	KL33AAB	KL33AAB	KL33AAC	KL33AAC	KL33AAC	KL33AAC	KL33AAC

### Wear parts, pump body

	->33SV3	->33SV4	->33SV9	
drum, impeller stop	1 bearing	1 bearing	2 bearing	
impeller locking	no drum	drum	drum	
* 34	<b>Wear Parts Kit</b>	KL35AA9	KL35ABW	KL35ABB
14	Pump body PN25-40	151302020	151302020	151302020
28	Drum EPDM HT	-	-	KL41AA9
29	Impeller locking	KL41AAG	KL41AAG	-

### Mech seal Kit D22 + OR

*20	Materials ->	Q1AEGG	KL01AEW	STD -> Q1AEGG - OR EPDM HT
		Q1AVGG	KL01AEX	
		Q1Q1VGG	KL01AC3	

### Common, Single Unit and Kit

4	Plugs	EPDM HT	KL34AAY	
5	Seal housing plate		160102850	
6	Upper head		161440020	
7	Spring		169100190	
8	Reduced impeller		150702820	
9	Full impeller		150702840	
15	Diffuser carbon bush		152801800	316SS
*21	OR	EPDM HT	KL02AB7	1-2Sleeve Elastomers for Drum Pumps 33-46SV
30	Bush seal EPDM HT		KL41AA8	
32	Support tungsten bush SVN		KL16AAE	
*33	Diffuser tungsten bush		KL05AC6	From 33SV5/2A, incl.
35	Sleeve ring		-	
36	Final diffuser		152803382	316SS

\* Recommended spare parts - Parti di ricambio consigliate

\* Pièces détachées conseillées - Empfohlene Ersatzteile

\*\* Motor spare parts: see motor lists - Parti di ricambio motore: vedi liste motore

\*\* Pièces détachées Moteur : voir listes moteur - Motor-Ersatzteile: gem. Motorlisten

## 46SVNH 2 Pole 60Hz (46SVNH/D: motors IE3 fitted)

ELP 2 P, 3 ~										
N - Version	46SV1/1ANH6	46SV1NH6	46SV2/2ANH6	46SV2/1ANH6	46SV2NH6	46SV3/2ANH6	46SV3/1ANH6	46SV3NH6	46SV4/2ANH6	46SV4/1ANH6
T(IE2) ~ >	10158201J	10158202J	10158203J	10158204J	10158205J	10158207J	10158208J	10158209J	10158211J	10158212J
T(IE3) ~ >	10169201J	10169202J	10169203J	10169204J	10169205J	10169207J	10169208J	10169209J	10169211J	10169212J
	<b>46SV4NH6</b>	<b>46SV5/2ANH6</b>	<b>46SV5/1ANH6</b>	<b>46SV5NH6</b>	<b>46SV6/2ANH6</b>	<b>46SV6/1ANH6</b>	<b>46SV6NH6</b>			
T(IE2) ~ >	10158213J	10158215J	10158216J	10158217J	10158219J	10158220J	10158221J			
T(IE3) ~ >	10169213J	10169215J	10169216J	10169217J	10169219J	10169220J	10169221J			
Motor power	5.5	7.5	11.0	11.0	15.0	18.5	18.5	18.5	22.0	30.0
kW >	30.0	30.0	30.0	30.0	37.0	37.0	37.0			

### Single Unit and Kit

10	Stages >	1	2	3	4	5	6	
	Sleeve STD PN25	166441880	166441890	166441900	166441910	166441920	166441930	316SS, PN25
	Sleeve OPT PN40	156408600	156408610	156408620	156408630	156408640	156408650	316SS, PN 40
11	Shaft	165045620	165045630	165045640	165045650	165045660	165045670	Duplex AF51
31	Tie rods kit SVN	KL22AAS	KL22AAT	KL22AAU	KL22AAV	KL22AAW	KL22AAX	

### Motor, Coupling, Adaptor

**1	kW >	5,5	7,5	11,0	15,0	18,5	22,0	30,0	37,0
	Motor 2P, 3 ~, IE2 >	50013PE00	<b>50017PB00</b>	50019PE00	<b>50024PB00</b>	50025PB00	<b>50026PE00</b>	107242103	107242203
	Motor 2P, 3 ~, IE3 >	50A13PE00	<b>50A17PB00</b>	50A19PE00	<b>50A24PB00</b>	50A25PB00	<b>50A26PE00</b>	107242603	107242703
2	Adaptor	161453640	161453640	161453660	161453660	161453660	161453660	161453680	161453680
23	Lifting bracket	161441050	161441050	161441060	161441060	161441060	161441060	161441070	161441070
26	Coupling	KL10AAC	KL10AAC	KL10AAD	KL10AAD	KL10AAD	KL10AAE	KL10AAF	KL10AAF
27	Coupling guard	KL33AAB	KL33AAB	KL33AAC	KL33AAC	KL33AAC	KL33AAC	KL33AAC	KL33AAC

### Wear parts, pump body drum, impeller stop, impeller locking

	->46SV3	->46SV4	->46SV9		
	1 bearing no drum	1 bearing drum	2 bearing drum		
*34	<b>Wear Parts Kit</b>	KL35ABE	KL35ABX	KL35ABG	
14	Pump body PN16-40	151302060	151302060	151302060	
28	<b>Drum</b>	EPDM HT	-	KL41ABA	KL41ABA
29	Impeller locking	KL41AAG	-	-	-

### Mech seal Kit D22 + OR

*20	Materials ->	Q1AEGG	KL01AEW	STD -> Q1AEGG - OR EPDM HT
		Q1AVGG	KL01AEX	
		Q1Q1VGG	KL01AC3	

### Common, Single Unit and Kit

4	Plugs	EPDM HT	KL34AAY	
5	Seal housing plate		160102850	
6	Upper head		161440020	
7	Spring		169100190	
8	Reduced impeller		150702830	
9	Full impeller		150702750	
15	Diffuser carbon bush		152801810	316SS
*21	OR	EPDM HT	KL02AB7	1-2Sleeve Elastomers for Drum Pumps 33-46SV
30	Bush seal EPDM HT		KL41AA8	
32	Support tungsten bush SVN		KL16AAF	
*33	Diffuser tungsten bush		KL05AC7	From 46SV5/2A, included
35	Sleeve ring		-	
36	Final diffuser		152803382	316SS

\* Recommended spare parts - Parti di ricambio consigliate

\* Pièces détachées conseillées - Empfohlene Ersatzteile

\*\* Motor spare parts: see motor lists - Parti di ricambio motore: vedi liste motore

\*\* Pièces détachées Moteur : voir listes moteur - Motor-Ersatzteile: gem. Motorlisten

## 66SVNH 2 Pole 60Hz (66SVNH/D: motors IE3 fitted)

ELP 2 P, 3 ~										
N - Version	66SV1/1ANH6	66SV1NH6	66SV2/2ANH6	66SV2/1ANH6	66SV2NH6	66SV3/2ANH6	66SV3/1ANH6	66SV3NH6	66SV4/2ANH6	66SV4/1ANH6
T(IE2) ~ >	10158401J	10158402J	10158403J	10158404J	10158405J	10158406J	10158407J	10158408J	10158409J	10158410J
T(IE3) ~ >	10169401J	10169402J	10169403J	10169404J	10169405J	10169406J	10169407J	10169408J	10169409J	10169410J
	66SV4NH6	66SV5/2ANH6	66SV5/1ANH6	66SV5NH6						
T(IE2) ~ >	10158411J	10158412J	10158413J	10158414J						
T(IE3) ~ >	10169411J	10169412J	10169413J	10169414J						
Motor power	7.5	11.0	15.0	18.5	18.5	22.0	30.0	30.0	37.0	37.0
kW >	37.0	45.0	45.0	45.0						

### Single Unit and Kit

10	Stages >	1	2	3	4	5
	Sleeve STD PN2	166442080	166442090	166442100	166442110	166442120
	Sleeve OPT PN4	156408750	156408760	156408770	156408780	156408790
11	Shaft	165045780	165045790	165045800	165045810	165045820
31	Tie rods kit SVN	KL22ABC	KL22ABD	KL22ABE	KL22ABF	KL22AAX

### Motor, Coupling, Adaptor

**1	kW >	7,5	11,0	15,0	18,5	22,0	30,0	37,0	45,0
	Motor 2P, 3 ~, IE2 >	50017PB00	50019PE00	50024PB00	50025PB00	50026PE00	107242103	107242203	107242303
	Motor 2P, 3 ~, IE3 >	50A17PB00	50A19PE00	50A24PB00	50A25PB00	50A26PE00	107242603	107242703	107242803
2	Adaptor	161453640	161453660	161453660	161453660	161453660	161453680	161453680	161453700
23	Lifting bracket	161441050	161441060	161441060	161441060	161441060	161441070	161441070	161441070
26	Coupling	KL10AAC	KL10AAD	KL10AAD	KL10AAD	KL10AAE	KL10AAF	KL10AAF	KL10AAF
27	Coupling guard	KL33AAB	KL33AAC	KL33AAC	KL33AAC	KL33AAC	KL33AAC	KL33AAC	KL33AAC

### Wear parts, pump body drum, impeller stop, impeller locking

		->66SV2	->66SV3	->66SV6
		1 bearing no drum	1 bearing drum	2 bearing drum
*34	Wear Parts kit	KL35ABL	KL35ABY	KL35ABN
14	Pump body PN25	151302120	151302120	151302120
28	Drum EPDM HT	-	KL41ABB	KL41ABB
29	Impeller locking	KL41AAG	-	-

### Mech seal Kit D22 + OR

*20	Materials ->	Q1AEGG	KL01AEW	STD -> Q1AEGG - OR EPDM HT
		Q1AVGG	KL01AEX	
		Q1Q1VGG	KL01AC3	

### Common, Single Unit and Kit

4	Plugs	EPDM HT	KL34AAAY	
5	Seal housing plate		160102850	
6	Upper head		161440040	
7	Spring		169100210	
8	Reduced impeller		150702840	
9	Full impeller		150702760	
15	Diffuser carbon bush		152801820	316SS
*21	OR	EPDM HT	KL02AB8	
30	Bush seal EPDM HT		KL41AA8	
32	Support tungsten bush SVN		KL16AAG	
*33	Diffuser tungsten bush		KL05AC8	From 66SV4/2A, included
36	Last stage diffuser		152803392	316SS

\* Recommended spare parts - Parti di ricambio consigliate

\* Pièces détachées conseillées - Empfohlene Ersatzteile

\*\* Motor spare parts: see motor lists - Parti di ricambio motore: vedi liste motore

\*\* Pièces détachées Moteur : voir listes moteur - Motor-Ersatzteile: gem. Motorlisten

## 92SVNH 2 Pole 60Hz (92SVNH/D: motors IE3 fitted)

ELP 2 P, 3 ~	92SV1/1ANH6	92SV1NH6	92SV2/2ANH6	92SV2/1ANH6	92SV2NH6	92SV3/2ANH6	92SV3/1ANH6	92SV3NH6	92SV4/2ANH6
N - Version									
T(IE2) ~ >	10158601J	10158602J	10158603J	10158604J	10158605J	10158607J	10158608J	10158609J	10158611J
T(IE3) ~ >	10169601J	10169602J	10169603J	10169604J	10169605J	10169607J	10169608J	10169609J	10169611J
Mot power kW >	11.0	15.0	18.5	22.0	30.0	37.0	37.0	45.0	45.0

### Single Unit and Kit

10	Stages >	1	2	3	4
	Sleeve STD PN2	166442080	166442090	166442100	166442110
	Sleeve OPT PN4	156408750	156408760	156408770	156408780
11	Shaft	165045780	165045790	165045800	165045810
31	Tie rods kit SVN	KL22ABC	KL22ABD	KL22ABE	KL22ABF

### Motor, Coupling, Motor Adaptor

**1	kW >	11.0	15.0	18.5	22.0	30.0	37.0	45.0
	Motor 2P, 3 ~, IE2 >	50019PE00	50024PB00	50025PB00	50026PE00	107242103	107242203	107242303
	Motor 2P, 3 ~, IE3 >	50A19PE00	50A24PB00	50A25PB00	50A26PE00	107242603	107242703	107242803
2	Adaptor	161453660	161453660	161453660	161453660	161453680	161453680	161453700
23	Lifting bracket	161441060	161441060	161441060	161441060	161441070	161441070	161441070
26	Coupling	KL10AAD	KL10AAD	KL10AAD	KL10AAE	KL10AAF	KL10AAF	KL10AAF
27	Coupling guard	KL33AAC	KL33AAC	KL33AAC	KL33AAC	KL33AAC	KL33AAC	KL33AAC

### Wear parts, pump body

		->92SV2	->92SV3	->92SV6
	drum, impeller stop, impeller locking	1 bearing no drum	1 bearing drum	2 bearing drum
*34	Wear parts Kit	KL35ABR	KL35ABZ	KL35ABT
14	Pump body PN25	151302120	151302120	151302120
28	Drum EPDM HT	-	KL41ABB	KL41ABB
29	Impeller locking	KL41AAG	-	-

### Mech seal Kit D22 + OR

*20	Materials ->	Q1AEGG	KL01AEW	STD -> Q1AEGG - OR EPDM HT
		Q1AVGG	KL01AEX	
		Q1Q1VGG	KL01AC3	

### Common, Single Unit and Kit

4	Plugs	EPDM HT	KL34AA Y	
5	Seal housing plate		160102850	
6	Upper head		161440040	
7	Spring		169100210	
8	Reduced impeller		150702850	
9	Full impeller		150702770	
15	Diffuser carbon bush		152801830	316SS
*21	OR	EPDM HT	KL02AB8	
30	Bush seal EPDM HT		KL41AA8	
32	Support tungsten bush SVN		KL16AAH	
*33	Diffuser tungsten bush		KL05AC9	From 92SV4/2A, included
16	Final diffuser		152803392	316SS

\* Recommended spare parts - Parti di ricambio consigliate

\* Pièces détachées conseillées - Empfohlene Ersatzteile

\*\* Motor spare parts: see motor lists - Parti di ricambio motore: vedi liste motore

\*\* Pièces détachées Moteur : voir listes moteur - Motor-Ersatzteile: gem. Motorlisten

33-92SV\_NH\_6\_June12\_EdB