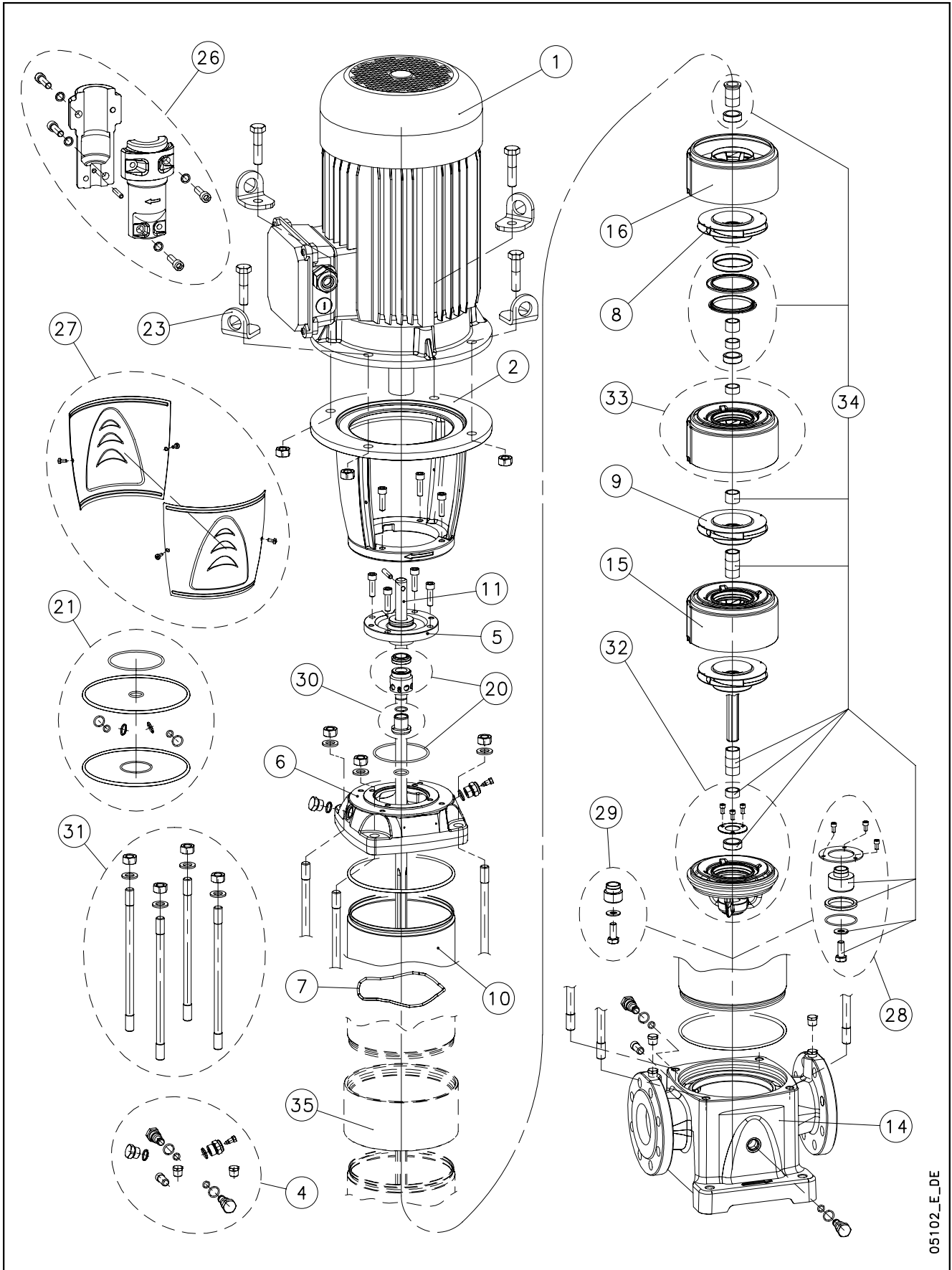


33, 46, 66, 92 SV



05102_E_DE

Lowara, Flygt and Vogel Pumpen are a trademark of Xylem Inc. or one of its subsidiaries. Goulds is a registered trademark of Goulds Pumps, Inc. and is used under license.

N.	Descrizione It	Description en	Description fr	Beschreibung de	Descripción es	Descrição pt
1	Motore	Motor	Moteur	Motor	Motor	Motor
2	Lanterna	Adaptor	Lanterne	Motorlaterne	Adaptador	Adaptador
4	Tappi	Plugs	Bouchons	Stopfen	Tapones	Tampões
5	Disco porta tenuta	Seal housing plate	Disque de support garniture	Dichtungsdeckel	Disco de alojamiento sello	Disco porta-vedante
6	Testata superiore	Upper head	Tête supérieure	Oberer kopf	Cabezal superior	Cabeça superior
7	Molla	Spring	Ressort	Feder	Muelle	Mola
8	Girante ridotta	Reduced impeller	Roue réduite	Lauftrad, reduzierter Durchmesser	Rodete, reducido	Impulsor reduzido
9	Girante piena	Full impeller	Roue pleine	Lauftrad, voller Durchmesser	Rodete, completo	Impulsor completo
10	Camicia	Sleeve	Chemise	Gehäuse	Camisa	Camisa
11	Albero	Shaft	Arbre	Welle	Árbol	Veio
14	Corpo pompa	Pump body	Corps de pompe	Pumpengehäuse	Caja bomba	Corpo da bomba
15	Diffusore boccola carbone	Diffuser carbon bush	Diffuseur douille carbone	Diffuser und Büchse, Kohle	Difusor casquillo carbón	Difusor bucha carvão
16	Diffusore finale	Last stage diffuser	Diffuseur dernier étage	Enddiffusor	Difusor final	Difusor final
20	Kit tenuta mecc. + OR	Mechanical seal + OR kit	Kit garniture mec. + joints toriques	Gleitringdichtung + O-Ring [Satz]	Kit sello mec. + junta tórica	Kit vedante mec. + OR
21	Kit guarnizioni OR	O ring kit	Kit joints toriques	Dichtungssatz	Kit juntas tóricas	Kit guarnições OR
23	Anello sollevamento	Lifting ring	Anneau de levage	Huböse	Anillo de elevación	Anel de suspensão
26	Kit coppia di semigiunti	Pair of half coupling kit	Kit paire de demi-manchons	Kupplung [Satz]	Kit par de semijuntas	Kit par de semi-juntas
27	Kit protezione giunto	Coupling guard kit	Kit protection manchon	Kupplungsschutz [Satz]	Kit protección junta	Kit proteção junta
28	Kit tamburo reggipinta	Thrust drum kit	Kit tambour butée	Drucklagerscheibe [Satz]	Kit tambor de empuje	Kit tambor de impulso
29	Kit bloccaggio giranti	Impeller locking kit	Kit blocage roues	Lauftrad Halt [Satz]	Kit bloqueo rodetes	Kit bloqueio impulsores
30	Kit bussola tenuta	Bush seal kit	Kit douille garniture	ringdichtungsarretierung und mitneh	Kit casquillo sello	kit bucha vedante
31	Kit tiranti	Tie rods kit	Kit tirants	Zugstangen [Satz]	Kit tirantes	Kit tirantes
32	Kit supporto boccola Widia	Support tungsten bush kit	Kit support douille Widia	Widia Halterung [Satz]	Kit soporte casquillo Widia	Kit suporte com tungstênio bucha
33	Kit diffusore boccola Widia	Diffuser tungsten bush kit	Kit diffuseur douille Widia	Diffusor mit Widia Büchse [Satz]	Kit difusor casquillo Widia	Kit difusor com tungstênio bucha
34	Kit parti di usura	Wear parts kit	Kit parties d'usure	Verschleißteile [Satz]	Kit piezas de desgaste	Kit peças desgastáveis
35	Anello per camicie	Sleeve ring	Anneau pour chemises	Ringhülse	Anillo para camisas	Anel para camisas
N.	Beschrijving nl	Περιγραφή el	Açıklama tr	Kuvau fi	Описание ru	Opis pl
1	Motor	Πλήρης κινητήρας	Motor	Moottori	Двигатель	Silnik
2	Lantaarnstuk	Μπρακέτο	Adaptör	Sovitin	Крестовина	Piasta
4	Pluggen	Σετ πατών	Tapalar	Tulpat	Пробки	Zatyczki
5	Dichtingssteunplaat	Δίσκος μηχανικού στυπιοθλίπτη	Sızdırmazlık elemanı diski	Tiivisteenn kannatuslevy	Пластина держателя прокладки	Tarcza uszczelki
6	Bovenste kop	Κεφαλή αντλίας	Üst kafa	Yläkansi	Верхняя головка	Głowica górna
7	Veer	Έλασμα	Yay	Jousi	Пружина	Sprężyna
8	Waaier met verkleinde diameter	Πτερόγιο μειωμένης διαμέτρου	Küçük boylu pompa rotoru	Pieni juoksupyörä	Уменьшенное рабочее колесо	Wirnik niepełny
9	Volle waaier	Πτερόγιο πλήρους διαμέτρου	Tam boylu pompa rotoru	Täydellinen juoksupyörä	Полное рабочее колесо	Wirnik pełny
10	Mantel	Κέλυφος	Gömlek	Muhvi	Муфта	Plaszcz
11	As	Άξονας	Mil	Akseli	Вал	Wał
14	Pomphuis	Σώμα αντλίας	Pompa gövdesi	Pumpun runko	Корпус насоса	Korpus pompy
15	Diffusor koollager	Πτερόγιο εκτροπής με κουζινέτο	Karbon burçlu difüzör	Diffusori ja hiiliholkki	Диффузор втулки угля	Dyfuzor tulejki węgla
16	Diffusor laatste trap	Τελευταίο πτερόγιο εκτροπής	Son difüzör	Loppuvaiheen diffuusori	Конечный диффузор	Dyfuzor końcowy
20	Set mech. asafdichting + O-ring	Μηχανικός στυπιοθλίπτης και ροδέλες στεγανοποίησης	Mekanik salmastra kiti + O-Ring	Mek. tiiviste + O-rengassarja	Комплект мех.прокладки + OR	Zestaw uszcz. mech. + OR
21	Set O-ringafdichtingen	Σετ ροδέλες στεγανοποίησης	O-Ring kiti	O-rengassarja	Комплект кольцевых прокладок OR	Zestaw uszczelkek OR
23	Hijs ring	Άρση δαχτυλίδι	Cihaz kaldırma	Nostorengas	Подъемные кольца	Pierścień podnoszenia
26	Set koppelingshelften	Σετ σταθερού συνδέσμου	Çift yarım manşon kiti	Liitinsarja	Комплект пары полумуфт	Zestaw pary półzłączy
27	Set koppelingsbescherming	Καλύμματα προστασίας σταθερού συνδέσμου	Manşon koruma kiti	Liitoksen suojuussarja	Комплект защиты муфт	Zestaw ochronny złącza
28	Set druklagertrommel	Σετ ωστικού εμβόλου	Basınç yatağı tambur kiti	Rumpusarja	Комплект упорного барабана	Testaw bębna łożyska oporowego
29	Set waaierblokkeringen	Σετ ασφάλισης πτερυγίων	Pompa rotorlarını sabitleme kiti	Juoksupyörien kiinnityssarja	Комплект блокировки раб. колес	Zestaw blokujący wirniki
30	Set afdichtingsbus	Σετ κουζινέτου μηχανικού στυπιοθλίπτη	Sızdırmazlık elemanı burcu kiti	Holkki ja tiiviste	Комплект втулки уплотнения	Zestaw busoli uszczel.
31	Set trekstangen	Σετ ράβδων σύνδεσης	Gergi çubuğu kiti	Vetotankosarja	Комплект тяг	Zestaw napinaczy
32	Set Widia steunbus	Σετ κάτω κουζινέτου	Tungsten burç mesnedi kiti	Kannatin ja kovametalliholkki	Комплект опоры втулки Widia	Zestaw wspornika tulejki Wolfram
33	Set Widia diffusorbus	Σετ πτερυγίου εκτροπής με κουζινέτο και δακτύλιο τριβής	Tungsten burçlu difüzör kiti	Diffusori ja kovametalliholkki	Комплект диффузора втулки Widia	Zestaw dyfuzora tulejki Wolfram
34	Set slijtonderdelen	Σετ δακτύλιων τριβής	Aşınma parçaları kiti	Kulumisiosien sarja	Комплект изнашиваемых частей	Zestaw części podł. zużyciu
35	Ring voor mantels	Σύνδεσμος κελύφων	Gömlek halkası	Muhvirengas	Кольцо муфты	Pierścień do płaszczy

33SVG 2 Pole 60 Hz (33SVG/D: motors IE3 fitted)

ELP 2 P, 3 ~										
G - Version	33SV1/1AG6	33SV1G6	33SV2/2AG6	33SV2/1AG6	33SV2G6	33SV3/2AG6	33SV3/1AG6	33SV3G6	33SV4/2AG6	33SV4/1AG6
T(IE2) ~>	101580011	101580021	101580031	101580041	101580051	101580061	101580071	101580081	101580091	101580101
	10158A001	101580021	101580031	101580041	101580051	101580061	101580071	101580081	101580091	101580101
T(IE3) ~>	101690011	101690021	101690031	101690041	101690051	101690061	101690071	101690081	101690091	101690101
	33SV4G6	33SV5/2AG6	33SV5/1AG6	33SV5G6	33SV6/2A	33SV6/1AG6	33SV6G6	33SV7/2AG6	33SV7/1AG6	33SV7G6
T(IE2) ~>	101580111	101580121	101580131	101580141	101580151	101580161	101580171	101580181	101580191	101580201
T(IE3) ~>	101690111	101690121	101690131	101690141	101690151	101690161	101690171	101690181	101690191	101690201
	33SV8/2AG6	33SV8/1AG6	33SV8G6							
T(IE2) ~>	101580211	101580221	101580231							
T(IE3) ~>	101690211	101690221	101690231							
Motor power	3,0	5,5	5,5	7,5	11,0	11,0	11,0	15,0	15,0	15,0
kW >	18,5	18,5	22,0	22,0	30,0	30,0	30,0	30,0	30,0	37,0
	37,0	37,0	37,0							

Single Unit and Kit

STAGES >		1	2	3	4	5	6	7	8	
10	Sleeve STD PN25	166441881	166441891	166441901	166441911	166441921	166441931	166441941	166441951	
	Sleeve OPT PN40	156408600	156408610	156408620	156408630	156408640	156408650	156408660	156408670	
e-SV HC PN40 have code with final digit 3 instead of 1 (i.e. 101690153, etc)										
11	Shaft	165045621	165045631	165045641	165045651	165045661	165045671	165045681	165045691	
31	Tie rods kit SVG	KL22AAC	KL22AAD	KL22AAE	KL22AAF	KL22AAG	KL22AAH	KL22AAK	KL22AAL	

Motor, Coupling, Adaptor

**1	kW >	3,0	5,5	7,5	11,0	15,0	18,5	22,0	30,0	37,0
	Motor 2P, 3~, IE2 >	50002PF00	50013PE00	50017PB00	50019PE00	50024PB00	50025PB00	50026PE00	107242103	107242203
		107241010	50013PE00	50017PB00	50019PE00	50024PB00	50025PB00	50026PE00	107242103	107242203
	Motor 2P, 3~, IE3 >	50A02PF00	50A13PE00	50A17PB00	50A19PE00	50A24PB00	50A25PB00	50A26PE00	107242603	107242703
2	Adaptor	161453620	161453640	161453640	161453660	161453660	161453660	161453660	161453680	161453680
23	Lifting bracket		161441050	161441050	161441060	161441060	161441060	161441060	161441070	161441070
26	Coupling	KL10AAB	KL10AAC	KL10AAC	KL10AAD	KL10AAD	KL10AAD	KL10AAE	KL10AAF	KL10AAF
27	Coupling guard	KL33AAA	KL33AAB	KL33AAB	KL33AAC	KL33AAC	KL33AAC	KL33AAC	KL33AAC	KL33AAC

Wear parts, pump body

		->33SV4	33SV4	->33SV9
	drum, impeller stop	1 bearing	1 bearing	2 bearing
	impeller locking	no drum	drum	drum
* 34	Wear Parts Kit	KL35AA9	KL35ABW	KL35ABB
14	Pump body	PN16	151351000	-
		PN25-40	-	151351020
28	Drum	EPDM	-	KL41AAA
		FPM	-	KL41AAD
		FEP	-	KL41AAS
29	Impeller locking	KL41AAG	-	-

Mech seal Kit D22 + OR

*20	Materials ->	Q1BEGG	KL01AC0	STD -> Q1BEGG - OR EPDM
		Q1Q1EGG	KL01AC1	
		Q1BVGG	KL01AC2	
		Q1Q1VGG	KL01AC3	
		Q1CTGG	KL01AC5	
		Q1Q1TGG	KL01AC6	

Common, Single Unit and Kit

4	Plugs	EPDM	KL34AAF	
		FPM	KL34AAG	
		FEP	KL34AAH	
5	Seal housing plate		160150260	
6	Upper head		161453740	
7	Spring		169100190	
8	Reduced impeller		150702820	
9	Full impeller		150702740	
15	Diffuser carbon bush		152801801	304SS
16	Last stage diffuser		152801731	304SS
*21	OR	EPDM	KL02AAA	
		FPM	KL02AAD	
	OR	FEP	KL02AA7	
30	Bush seal		KL41AAH	
32	Support tungsten bush SVG		KL16AAA	
*33	Diffuser tungsten bush		KL05AC6	From 33SV5/2A, incl.

* Recommended spare parts - Parti di ricambio consigliate

* Pièces détachées conseillées - Empfohlene Ersatzteile

** Motor spare parts: see motor lists - Parti di ricambio motore: vedi liste motore

** Pièces détachées Moteur : voir listes moteur - Motor-Ersatzteile: gem. Motorlisten

3392SV_G_6_June11_EdB

33SVG 4 Pole 60 Hz (33SVG/D: motors IE3 fitted)

ELP 4 P, 3 ~										
G - Version	33SV2G46	33SV3G46	33SV4G46	33SV5G46	33SV6G46	33SV7G46	33SV8G46	33SV9G46	SV3310G46	SV3311G46
T(IE2) ~ >	101580551	101580581	101580611	101580641	101580671	101580701	101580731	101580761	101580791	101580821
T(IE3) ~ >	101690551	101690581	101690611	101690641	101690671	101690701	101690731	101690761	101690791	101690821
	SV3312G46	SV3313G46								
T(IE2) ~ >	101580851	101580881								
T(IE3) ~ >	101690851	101690881								
Motor power kW >	1,1	1,5	2,2	3,0	3,0	4,0	5,5	5,5	5,5	7,5
	7,5	7,5								

Single Unit and Kit

10	Stages >	2	3	4	5	6	7	8	9	10	11
		12	13								
	Sleeve STD PN 2	166441891	166441901	166441911	166441921	166441931	166441941	166441951	166441961	166441971	KL13AAD
		KL13AAE	KL13AAF	Note. Double Sleeve Kit are without ring (item 35)							
	Sleeve OPT PN4	156408610	156408620	156408630	156408640	156408650	156408660	156408670	156408680	156408690	KL13AAA
		KL13AAB	KL13AAC	Note. Double Sleeve Kit are without ring (item 35)							
11	Shaft	165045631	165045641	165045651	165045661	165045671	165045681	165045691	165045701	165045711	165045721
		165045731	165045741								
31	Tie rods kit SVG	KL22AAD	KL22AAE	KL22AAF	KL22AAG	KL22AAH	KL22AAK	KL22AAL	KL22AAM	KL22AAN	KL22AAP
		KL22AAQ	KL22AAR								

Motor, Coupling, Adaptor

**1	kW >	1,1	1,5	2,2	3,0	4,0	5,5	7,5
	Motor 4P, 3~, IE2 ->	50005PD00	50006PD00	50010PD00	50011PD00	50015PD00	50020PB00	50021PB00
	Motor 4P, 3~, IE3 ->	50A05PD00	50A06PD00	50A10PD00	50A11PD00	50A15PD00	50A20PB00	50A21PB00
2	Adaptor	161453600	161453600	161453620	161453620	161453620	161453640	161453640
23	Lifting bracket						161441050	161441050
26	Coupling	KL10AAA	KL10AAA	KL10AAB	KL10AAB	KL10AAB	KL10AAC	KL10AAC
27	Coupling guard	KL33AAA	KL33AAA	KL33AAA	KL33AAA	KL33AAA	KL33AAB	KL33AAB

Wear parts, pump body

	->33SV4	->33SV9	->33SV13
impeller stop, impeller locking	1 bearing no drum	2 bearing no drum	3 bearing no drum
* 34 Wear Parts Kit	KL35AA9	KL35ABA	KL35ABC
14 Pump body PN16	151351000	151351000	151351000
29 Impeller locking	KL41AAG	KL41AAG	KL41AAG

Mech seal Kit D22 + OR

*20	Materials ->	Q1BEGG	KL01AC0	STD -> Q1BEGG - OR EPDM
		Q1Q1EGG	KL01AC1	
		Q1BVGG	KL01AC2	
		Q1Q1VGG	KL01AC3	
		Q1CTGG	KL01AC5	
		Q1Q1TGG	KL01AC6	

Common, Single Unit and Kit

4	Plugs	EPDM	KL34AAF	
		FPM	KL34AAG	
		FEP	KL34AAH	
5	Seal housing plate		160150260	
6	Upper head		161453740	
7	Spring		169100190	
8	Rreduced impeller		150702820	
9	Full impeller		150702840	
15	Diffuser carbon bush		152801801	304SS
16	Last stage diffuser		152801731	304SS
*21	OR	EPDM	KL02AAA	Single-Double Sleeve
		FPM	KL02AAD	
	OR	FEP	KL02AA7	Single Sleeve
		FPM	KL02AAE	
	OR	FEP	KL02AA8	Double Sleeve
30	Bush seal		KL41AAH	
32	Support tungsten bush SVG		KL16AAA	
*33	Diffuser tungsten bush		KL05AC6	From 33SV5 included
35	Sleeve ring		168601900	For 11-12-13 STages Pumps
	Diffuser box empty		152801960	33-46SV 2-4 pole

* Recommended spare parts - Parti di ricambio consigliate

* Pièces détachées conseillées - Empfohlene Ersatzteile

** Motor spare parts: see motor lists - Parti di ricambio motore: vedi liste motore

** Pièces détachées Moteur : voir listes moteur - Motor-Ersatzteile: gem. Motorlisten

46SVG 2 Pole 60 Hz (46SVG/D: motors IE3 fitted)

ELP 2 P, 3 ~										
G - Version	46SV1/1AG6	46SV1G6	46SV2/2AG6	46SV2/1AG6	46SV2G6	46SV3/2AG6	46SV3/1AG6	46SV3G6	46SV4/2AG6	46SV4/1AG6
T(IE2) ~>	101582011	101582021	101582031	101582041	101582051	101582071	101582081	101582091	101582111	101582121
T(IE3) ~>	101692011	101692021	101692031	101692041	101692051	101692071	101692081	101692091	101692111	101692121
	46SV4G6	46SV5/2AG6	46SV5/1AG6	46SV5G6	46SV6/2AG6	46SV6/1AG6	46SV6G6	46SV7/2AG6	46SV7/1AG6	46SV7G6
T(IE2) ~>	101582131	101582151	101582161	101582171	101582191	101582201	101582211	101582231	101582241	101582251
T(IE3) ~>	101692131	101692151	101692161	101692171	101692191	101692201	101692211	101692231	101692241	101692251
Motor power	5.5	7.5	11.0	11.0	15.0	18.5	18.5	18.5	22.0	30.0
kW >	30.0	30.0	30.0	30.0	37.0	37.0	37.0	45.0	45.0	45.0

Single Unit and Kit

10	Stages >	1	2	3	4	5	6	7	
	Sleeve STD PN2	166441881	166441891	166441901	166441911	166441921	166441931	166441941	304SS, PN 25
	Sleeve OPT PN4	156408600	156408610	156408620	156408630	156408640	156408650	156408660	316SS, PN 40
11	Shaft	165045621	165045631	165045641	165045651	165045661	165045671	165045681	431SS
31	Tie rods kit SVG	KL22AAC	KL22AAD	KL22AAE	KL22AAF	KL22AAG	KL22AAH	KL22AAK	

Motor, Coupling, Adaptor

**1	kW >	5.5	7.5	11.0	15.0	18.5	22.0	30.0	37.0	45.0
	Motor 2P, 3~, IE2 >	50013PE00	50017PB00	50019PE00	50024PB00	50025PB00	50026PE00	107242103	107242203	107242303
	Motor 2P, 3~, IE3 >	50A13PE00	50A17PB00	50A19PE00	50A24PB00	50A25PB00	50A26PE00	107242603	107242703	107242803
2	Adaptor	161453640	161453640	161453660	161453660	161453660	161453660	161453680	161453680	161453700
23	Lifting bracket	161441050	161441050	161441060	161441060	161441060	161441060	161441070	161441070	161441070
26	Coupling	KL10AAC	KL10AAC	KL10AAD	KL10AAD	KL10AAD	KL10AAE	KL10AAF	KL10AAF	KL10AAF
27	Coupling guard	KL33AAB	KL33AAB	KL33AAC	KL33AAC	KL33AAC	KL33AAC	KL33AAC	KL33AAC	KL33AAC

Wear parts, pump body

		->46SV3	->46SV4	->46SV9
	drum, impeller stop,	1 bearing	1 bearing	2 bearing
	impeller locking	no drum	drum	drum
*34	Wear Parts Kit	KL35ABE	KL35ABX	KL35ABG
14	Pump body	PN16	151351040	-
		PN16-40	-	151351060
28	Drum	EPDM	KL41AAB	KL41AAB
		FPM	KL41AAE	KL41AAE
		FEP	KL41AAT	KL41AAT
29	Impeller locking	KL41AAG	-	-

Mech seal Kit D22 + OR

*20	Materials ->	Q1BEGG	KL01AC0	STD -> Q1BEGG - OR EPDM
		Q1Q1EGG	KL01AC1	
		Q1BVGG	KL01AC2	
		Q1Q1VGG	KL01AC3	
		Q1CTGG	KL01AC5	
		Q1Q1TGG	KL01AC6	

Common, Single Unit and Kit

4	Plugs	EPDM	KL34AAF	
		FPM	KL34AAG	
		FEP	KL34AAH	
5	Seal housing plate		160150260	
6	Upper head		161453740	
7	Spring		169100190	
8	Reduced impeller		150702830	
9	Full impeller		150702750	
15	Diffuser carbon bush		152801811	304SS
16	Last stage diffuser		152801731	304SS
*21	OR	EPDM	KL02AAA	Elastomers for Drum Pumps 33-46SV
	OR	FPM	KL02AAD	
		FEP	KL02AA7	
30	Bush seal		KL41AAH	
32	Support tungsten bush SVG		KL16AAB	
*33	Diffuser tungsten bush		KL05AC7	From 46SV5/2A, included

* Recommended spare parts - Parti di ricambio consigliate

* Pièces détachées conseillées - Empfohlene Ersatzteile

** Motor spare parts: see motor lists - Parti di ricambio motore: vedi liste motore

** Pièces détachées Moteur : voir listes moteur - Motor-Ersatzteile: gem. Motorlisten

46SVG 4 Pole 60 Hz (46SVG/D: motors IE3 fitted)

ELP 4 P, 3 ~										
G - Version	46SV2G46	46SV3G46	46SV4G46	46SV5G46	46SV6G46	46SV7G46	46SV8G46	46SV9G46	SV4610G46	SV1611G46
T(IE2) ~ >	101582551	101582581	101582611	101582641	101582671	101582701	101582731	101582761	101582791	101582821
T(IE3) ~ >	101692551	101692581	101692611	101692641	101692671	101692701	101692731	101692761	101692791	101692821
	SV4612G46	SV4613G46								
T(IE2) ~ >	101582851	101582881								
T(IE3) ~ >	101692851	101692881								
Motor power	1,5	2,2	3,0	4,0	5,5	5,5	7,5	7,5	7,5	11,0
kW >	11,0	11,0								

Single Unit and Kit

10	Stages >	2	3	4	5	6	7	8	9	10	11
		12	13								
	Sleeve STD PN25	166441891	166441901	166441911	166441921	166441931	166441941	166441951	166441961	166441971	KL13AAD
		KL13AAE	KL13AAF	Note. Double Sleeve Kit are without ring (item 35)							
	Sleeve OPT PN40	156408610	156408620	156408630	156408640	156408650	156408660	156408670	156408680	156408690	KL13AAA
		KL13AAB	KL13AAC	Note. Double Sleeve Kit are without ring (item 35)							
11	Shaft	165045631	165045641	165045651	165045661	165045671	165045681	165045691	165045701	165045711	165045721
		165045731	165045741								
31	Tie rods kit SVG	KL22AAD	KL22AAE	KL22AAF	KL22AAG	KL22AAH	KL22AAK	KL22AAL	KL22AAM	KL22AAN	KL22AAP
		KL22AAQ	KL22AAR								

Motor, Coupling, Adaptor

**1	kW >	1,5	2,2	3,0	4,0	5,5	7,5	11.0
	Motor 4P, 3~, IE2 ->	50006PD00	50010PD00	50011PD00	50015PD00	50020PB00	50021PB00	50027PB00
	Motor 4P, 3~, IE3 ->	50A06PD00	50A10PD00	50A11PD00	50A15PD00	50A20PB00	50A21PB00	50A27PB00
2	Adaptor	161453600	161453620	161453620	161453620	161453640	161453640	161453660
23	Lifting bracket					161441050	161441050	161441060
26	Coupling	KL10AAA	KL10AAB	KL10AAB	KL10AAB	KL10AAC	KL10AAC	KL10AAD
27	Coupling guard	KL33AAA	KL33AAA	KL33AAA	KL33AAA	KL33AAB	KL33AAB	KL33AAC

Wear parts, pump body

		->46SV4	->46SV9	->46SV13
	impeller stop, impeller locking	1 bearing no drum	2 bearing no drum	3 bearing no drum
*34	Wear Parts Kit	KL35ABE	KL35ABF	KL35ABH
14	Pump body PN16	151351060	151351060	151351060
29	Impeller locking	KL41AAG	KL41AAG	KL41AAG

Mech seal Kit D22 + OR

*20	Materials ->	Q1BEGG	KL01AC0	STD -> Q1BEGG - OR EPDM
		Q1Q1EGG	KL01AC1	
		Q1BVGG	KL01AC2	
		Q1Q1VGG	KL01AC3	
		Q1CTGG	KL01AC5	
		Q1Q1TGG	KL01AC6	

Common, Single Unit and Kit

4	Plugs	EPDM	KL34AAF	
		FPM	KL34AAG	
		FEP	KL34AAH	
5	Seal housing plate		160150260	
6	Upper head		161453740	
7	Spring		169100190	
8	Reduced impeller		150702830	
9	Full impeller		150702750	
15	Diffuser carbon bush		152801811	304SS
16	Last stage diffuser		152801731	304SS
*21	OR	EPDM	KL02AAA	Single-Double Sleeve
	OR	FPM	KL02AAD	
		FEP	KL02AA7	Single Sleeve
	OR	FPM	KL02AAE	
		FEP	KL02AA8	Double Sleeve
30	Bush seal		KL41AAH	
32	Support tungsten bush SVG		KL16AAB	
*33	Diffuser tungsten bush		KL05AC7	From 46SV5, included
35	Sleeve ring		168601900	For 11-12-13 STages Double Sleeve Pumps
	Diffuser box empty		152801960	33-46SV 2-4 pole

* Recommended spare parts - Parti di ricambio consigliate

* Pièces détachées conseillées - Empfohlene Ersatzteile

** Motor spare parts: see motor lists - Parti di ricambio motore: vedi liste motore

** Pièces détachées Moteur : voir listes moteur - Motor-Ersatzteile: gem. Motorlisten

66SVG 2 Pole 60 Hz (66SVG/D: motors IE3 fitted)

ELP 2 P, 3 ~										
G - Version	66SV1/1AG6	66SV1G6	66SV2/2AG6	66SV2/1AG6	66SV2G6	66SV3/2AG6	66SV3/1AG6	66SV3G6	66SV4/2AG6	66SV4/1AG6
T(IE2) ~ >	101584011	101584021	101584031	101584041	101584051	101584061	101584071	101584081	101584091	101584101
T(IE3) ~ >	101694011	101694021	101694031	101694041	101694051	101694061	101694071	101694081	101694091	101694101
	66SV4G6	66SV5/2AG6	66SV5/1AG6	66SV5						
T(IE2) ~ >	101584111	101584121	101584131	101584141						
T(IE3) ~ >	101694111	101694121	101694131	101694141						
Motor power	7.5	11.0	15.0	18.5	18.5	22.0	30.0	30.0	37.0	37.0
kW >	37.0	45.0	45.0	45.0						

Single Unit and Kit

10	Stages >	1	2	3	4	5
	Sleeve STD PN2	166442081	166442091	166442101	166442111	166442121
	Sleeve OPT PN4	156408750	156408760	156408770	156408780	156408790
11	Shaft	165045781	165045791	165045801	165045811	165045821
31	Tie rods kit SVG	KL22AA5	KL22AA6	KL22AA7	KL22AA8	KL22AAH

Motor, Coupling, Motor Adaptor

**1	kW >	7.5	11.0	15.0	18.5	22.0	30.0	37.0	45.0
	Motor 2P, 3-, IE2 >	50017PB00	50019PE00	50024PB00	50025PB00	50026PE00	107242103	107242203	107242303
	Motor 2P, 3-, IE3 >	50A17PB00	50A19PE00	50A24PB00	50A25PB00	50A26PE00	107242603	107242703	107242803
2	Adaptor	161453640	161453660	161453660	161453660	161453660	161453680	161453680	161453700
23	Lifting bracket	161441050	161441060	161441060	161441060	161441060	161441070	161441070	161441070
26	Coupling	KL10AAC	KL10AAD	KL10AAD	KL10AAD	KL10AAE	KL10AAF	KL10AAF	KL10AAF
27	Coupling guard	KL33AAB	KL33AAC	KL33AAC	KL33AAC	KL33AAC	KL33AAC	KL33AAC	KL33AAC

Wear parts, pump body

		->66SV2	->66SV3	->66SV6
	drum,impeller stop, impeller locking	1 bearing no drum	1 bearing drum	2 bearing drum
*34	Wear Parts kit	KL35ABL	KL35ABY	KL35ABN
14	Pump body	PN16 151351080	151351100	-
		PN25	-	151351130
28	Drum	EPDM	KL41AAC	KL41AAC
		FPM	KL41AAF	KL41AAF
		FEP	KL41AAU	KL41AAU
29	Impeller locking	KL41AAG	-	-

Mech seal Kit D22 + OR

*20	Materials ->	Q1BEGG	KL01AC0	STD -> Q1BEGG - OR EPDM
		Q1Q1EGG	KL01AC1	
		Q1BVGG	KL01AC2	
		Q1Q1VGG	KL01AC3	
		Q1CTGG	KL01AC5	
		Q1Q1TGG	KL01AC6	

Common, Single Unit and Kit

4	Plugs	EPDM	KL34AAF	
		FPM	KL34AAG	
		FEP	KL34AAH	
5	Seal housing plate		160150260	
6	Upper head		161453760	
7	Spring		169100210	
8	Reduced impeller		150702840	
9	Full impeller		150702760	
15	Diffuser carbon bush		152801821	304SS
16	Last stage diffuser		152801751	304SS
*21	OR	EPDM	KL02AAC	
		FPM	KL02AAF	
		FEP	KL02AA9	
30	Bush seal		KL41AAH	
32	Support tungsten bush SVG		KL16AAC	
*33	Diffuser tungsten bush		KL05AC8	From 66SV4/2A, included

* Recommended spare parts - Parti di ricambio consigliate

* Pièces détachées conseillées - Empfohlene Ersatzteile

** Motor spare parts: see motor lists - Parti di ricambio motore: vedi liste motore

** Pièces détachées Moteur : voir listes moteur - Motor-Ersatzteile: gem. Motorlisten

66SVG 4 Pole 60 Hz (66SVG/D: motors IE3 fitted)

ELP 4 P, 3 ~								
G - Version	66SV1G46	66SV2G46	66SV3G46	66SV4G46	66SV5G46	66SV6G46	66SV7G46	66SV8G46
T(IE2) ~ >	101584521	101584551	101584581	101584611	101584641	101584671	101584701	101584731
T(IE3) ~ >	101694521	101694551	101694581	101694611	101694641	101694671	101694701	101694731
Mot. power, kW ->	1,5	3,0	4,0	5,5	7,5	7,5	11,0	11,0

Single Unit and Kit

10	Stages >	1	2	3	4	5	6	7	8
	Sleeve STD PN25	166442081	166442091	166442101	166442111	166442121	166442131	166442141	166442151
	Sleeve OPT PN4	156408750	156408760	156408770	156408780	156408790	156408800	156408810	156408820
11	Shaft	165045781	165045791	165045801	165045811	165045821	165045831	165045841	165045851
31	Tie rods kit SVF	KL22AA5	KL22AA6	KL22AA7	KL22AA8	KL22AAH	KL22AAK	KL22AAL	KL22AAM

Motor, Coupling, Motor Adaptor

**1	kW >	1.5	3.0	4.0	5.5	7.5	11.0
	Motor 4P, 3~, IE2 ->	50006PD00	50011PD00	50015PD00	50020PB00	50021PB00	50027PB00
	Motor 4P, 3~, IE3 ->	50A06PD00	50A11PD00	50A15PD00	50A20PB00	50A21PB00	50A27PB00
2	Adaptor	161453600	161453620	161453620	161453640	161453640	161453660
23	Lifting bracket				161441050	161441050	161441060
26	Coupling	KL10AAA	KL10AAB	KL10AAB	KL10AAC	KL10AAC	KL10AAD
27	Coupling guard	KL33AAA	KL33AAA	KL33AAA	KL33AAB	KL33AAB	KL33AAC

Wear parts, pump body impeller stop, impeller locki

		->66SV3	->66SV6	->66SV8
		1 bearing no drum	2 bearing no drum	3 bearing no drum
*34	Wear parts kit	KL35ABL	KL35ABM	KL35ABP
14	Pump body PN16	151351080	151351080	151351080
29	Impeller locking	KL41AAG	KL41AAG	KL41AAG

Mech seal Kit D22 + OR

*20	Materials ->	Q1BEGG	KL01AC0	STD -> Q1BEGG - OR EPDM
		Q1Q1EGG	KL01AC1	
		Q1BVGG	KL01AC2	
		Q1Q1VGG	KL01AC3	
		Q1CTGG	KL01AC5	
		Q1Q1TGG	KL01AC6	

Common, Single Unit and Kit

4	Plugs	EPDM	KL34AAF	
		FPM	KL34AAG	
		FEP	KL34AAH	
5	Seal housing plate		160150260	
6	Upper head		161453760	
7	Spring		169100210	
8	Reduced impeller		150702840	
9	Full impeller		150702760	
15	Diffuser carbon bush		152801821	304SS
16	Last stage diffuser		152801751	304SS
*21	OR	EPDM	KL02AAC	
		FPM	KL02AAF	
		FEP	KL02AA9	
30	Bush seal		KL41AAH	
32	Support tungsten bush SVG		KL16AAC	
*33	Diffuser tungsten bush		KL05AC8	From 66SV4, included
	Diffuser box empty		152801970	66-92SV 2-4 pole

* Recommended spare parts - Parti di ricambio consigliate

* Pièces détachées conseillées - Empfohlene Ersatzteile

** Motor spare parts: see motor lists - Parti di ricambio motore: vedi liste motore

** Pièces détachées Moteur : voir listes moteur - Motor-Ersatzteile: gem. Motorlisten

92SVG 2 Pole 60 Hz (92SVG/D: motors IE3 fitted)

ELP 2 P, 3 ~	92SV1/1AG6	92SV1G6	92SV2/2AG6	92SV2/1AG6	92SV2G6	92SV3/2AG6	92SV3/1AG6	92SV3G6	92SV4/2AG6
G - Version									
T(IE2) ~ >	101586011	101586021	101586031	101586041	101586051	101586071	101586081	101586091	101586111
T(IE3) ~ >	101696011	101696021	101696031	101696041	101696051	101696071	101696081	101696091	101696111
Mot power kW >	11.0	15.0	18.5	22.0	30.0	37.0	37.0	45.0	45.0

Single Unit and Kit

10	Stages >	1	2	3	4
	Sleeve STD PN2	166442081	166442091	166442101	166442111
	Sleeve OPT PN4	156408750	156408760	156408770	156408780
11	Shaft	165045781	165045791	165045801	165045811
31	Tie rods kit SVG	KL22AA5	KL22AA6	KL22AA7	KL22AA8

Motor, Coupling, Motor Adaptor

**1	kW >	11.0	15.0	18.5	22.0	30.0	37.0	45.0
	Motor 2P, 3~, IE2 >	50019PE00	50024PB00	50025PB00	50026PE00	107242103	107242203	107242303
	Motor 2P, 3~, IE3 >	50A19PE00	50A24PB00	50A25PB00	50A26PE00	107242603	107242703	107242803
2	Adaptor	161453660	161453660	161453660	161453660	161453680	161453680	161453700
23	Lifting bracket	161441060	161441060	161441060	161441060	161441070	161441070	161441070
26	Coupling	KL10AAD	KL10AAD	KL10AAD	KL10AAE	KL10AAF	KL10AAF	KL10AAF
27	Coupling guard	KL33AAC	KL33AAC	KL33AAC	KL33AAC	KL33AAC	KL33AAC	KL33AAC

Wear parts, pump body

		->92SV2	->92SV3	->92SV6
	drum, impeller stop, impeller locking	1 bearing no drum	1 bearing drum	2 bearing drum
*34	Wear parts Kit	KL35ABR	KL35ABZ	KL35ABT
14	Pump body PN16	151351080	151351080	151351080
28	Drum	EPDM	-	KL41AAC
		FPM	-	KL41AAF
		FEP	-	KL41AAU
29	Impeller locking	KL41AAG	-	-

Mech seal Kit D22 + OR

*20	Materials ->	Q1BEGG	KL01AC0	STD -> Q1BEGG - OR EPDM
		Q1Q1EGG	KL01AC1	
		Q1BVGG	KL01AC2	
		Q1Q1VGG	KL01AC3	
		Q1CTGG	KL01AC5	
		Q1Q1TGG	KL01AC6	

Common, Single Unit and Kit

4	Plugs	EPDM	KL34AAF	
		FPM	KL34AAG	
		FEP	KL34AAH	
5	Seal housing plate		160150260	
6	Upper head		161453760	
7	Spring		169100210	
8	Reduced impeller		150702850	
9	Full impeller		150702770	
15	Diffuser carbon bush		152801831	304SS
16	Last stage diffuser		152801751	304SS
*21	OR	EPDM	KL02AAC	
		FPM	KL02AAF	
		FEP	KL02AA9	
30	Bush seal		KL41AAH	
32	Support tungsten bush SVG		KL16AAD	
*33	Diffuser tungsten bush		KL05AC9	From 92SV4/2A, included

* Recommended spare parts - Parti di ricambio consigliate

* Pièces détachées conseillées - Empfohlene Ersatzteile

** Motor spare parts: see motor lists - Parti di ricambio motore: vedi liste motore

** Pièces détachées Moteur : voir listes moteur - Motor-Ersatzteile: gem. Motorlisten

92SVG 4 Pole 60 Hz (92SVG/D: motors IE3 fitted)

ELP 4 P, 3 ~								
G - Version	92SV1G46	92SV2G46	92SV3G46	92SV4G46	92SV5G46	92SV6G46	92SV7G46	92SV8G46
T(IE2) ~ >	101586521	101586551	101586581	101586611	101586641	101586671	101586701	101586731
T(IE3) ~ >	101696521	101696551	101696581	101696611	101696641	101696671	101696701	101696731
Mot. power, kW >	1,5	3,0	5,5	7,5	7,5	11,0	11,0	15,0

Single Unit and Kit

10	Stages >	1	2	3	4	5	6	7	8
	Sleeve STD PN2	166442081	166442091	166442101	166442111	166442121	166442131	166442141	166442151
	Sleeve OPT PN4	156408750	156408760	156408770	156408780	156408790	156408800	156408810	156408820
11	Shaft	165045781	165045791	165045801	165045811	165045821	165045831	165045841	165045851
31	Tie rods kit SVF	KL22AA5	KL22AA6	KL22AA7	KL22AA8	KL22AAH	KL22AA9	KL22ABA	KL22ABB

Motor, Coupling, Motor Adaptor

**1	kW >	1.5	3.0	5.5	7,5	11.0	15,0
	Motor 4P, 3~, IE2 ->	50006PD00	50011PD00	50020PB00	50021PB00	50027PB00	50028PB00
	Motor 4P, 3~, IE3 ->	50A06PD00	50A11PD00	50A20PB00	50A21PB00	50A27PB00	50A28PB00
2	Adaptor	161453600	161453620	161453640	161453640	161453660	161453640
23	Lifting bracket			161441050	161441050	161441060	161441060
26	Coupling	KL10AAA	KL10AAB	KL10AAC	KL10AAC	KL10AAD	KL10AAD
27	Coupling guard	KL33AAA	KL33AAA	KL33AAB	KL33AAB	KL33AAC	KL33AAC

Wear parts, pump body

		-> 92SV3	-> 92SV6	-> 92SV8
impeller stop, impeller locking		1 bearing no drum	2 bearing no drum	3 bearing no drum
*34	Wear parts Kit	KL35ABR	KL35ABS	KL35ABU
14	Pump body PN16	151351080	151351080	151351080
29	Impeller locking	KL41AAG	KL41AAG	KL41AAG

Mech seal Kit D22 + OR

*20	Materials ->	Q1BEGG	KL01AC0	STD -> Q1BEGG - OR EPDM
		Q1Q1EGG	KL01AC1	
		Q1BVGG	KL01AC2	
		Q1Q1VGG	KL01AC3	
		Q1CTGG	KL01AC5	
		Q1Q1TGG	KL01AC6	

Common, Single Unit and Kit

4	Plugs	EPDM	KL34AAF	
		FPM	KL34AAG	
		FEP	KL34AAH	
5	Seal housing plate		160150260	
6	Upper head		161453760	
7	Spring		169100210	
8	Reduced impeller		150702850	
9	Full impeller		150702770	
15	Diffuser carbon bush		152801831	304SS
16	Last stage diffuser		152801751	304SS
*21	OR	EPDM	KL02AAC	
		FPM	KL02AAF	
		FEP	KL02AA9	
30	Bush seal		KL41AAH	
32	Support tungsten bush SVG		KL16AAD	
*33	Diffuser tungsten bush		KL05AC9	From 92SV4, included
	Diffuser box empty		152801970	66-92SV 2-4 pole

* Recommended spare parts - Parti di ricambio consigliate

* Pièces détachées conseillées - Empfohlene Ersatzteile

** Motor spare parts: see motor lists - Parti di ricambio motore: vedi liste motore

** Pièces détachées Moteur : voir listes moteur - Motor-Ersatzteile: gem. Motorlisten