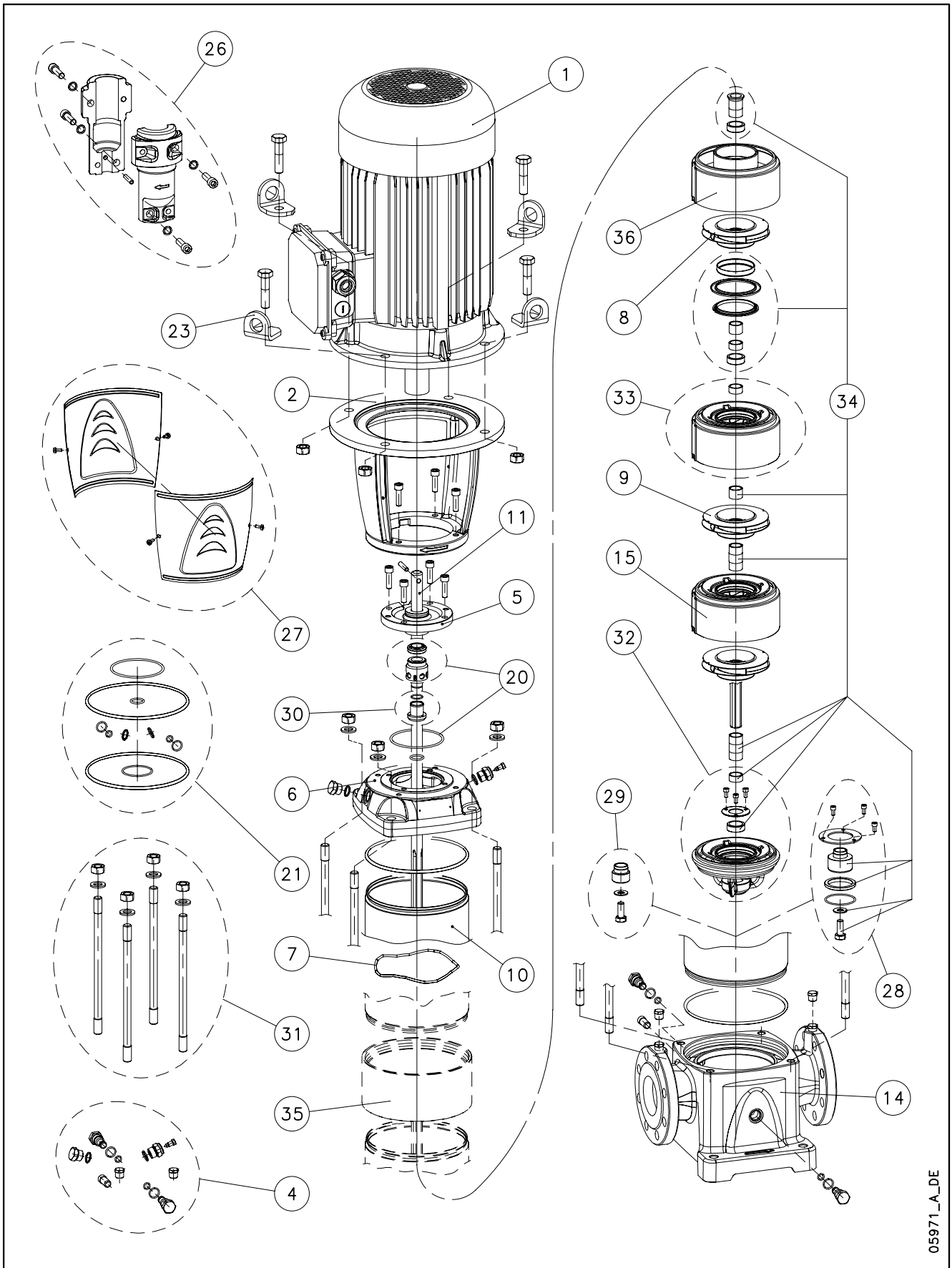


## 33, 46, 66, 92 SV..H (150°C)



05971\_A\_DE

Lowara, Flygt and Vogel Pumpen are trademarks of Xylem Inc. or one of its subsidiaries. Goulds is a registered trademark of Goulds Pumps, Inc. and is used under license.

| N. | Descrizione<br>It               | Description<br>en                                      | Description<br>fr                    | Beschreibung<br>de                   | Descripción<br>es               | Descrição<br>pt                  |
|----|---------------------------------|--|--------------------------------------|--------------------------------------|---------------------------------|----------------------------------|
|    | 33-92SV..H (150 °C)             |  |                                      |                                      |                                 |                                  |
| 1  | Motore                          | Motor  | Moteur                               | Motor                                | Motor                           | Motor                            |
| 2  | Lanterna                        | Adaptor  | Lanterne                             | Motorlaterne                         | Adaptador                       | Adaptador                        |
| 4  | Tappi                           | Plugs  | Bouchons                             | Stopfen                              | Tapones                         | Tampões                          |
| 5  | Disco porta tenuta              | Seal housing plate                                     | Disque de support garniture          | Dichtungsdeckel                      | Disco de alojamiento sello      | Disco porta-vedante              |
| 6  | Testata superiore               | Upper head   | Tête supérieure                      | Oberer kopf                          | Cabezal superior                | Cabeça superior                  |
| 7  | Molla                           | Spring   | Ressort                              | Feder                                | Muelle                          | Mola                             |
| 8  | Girante ridotta                 | Reduced impeller                                       | Roue réduite                         | Lauftrad, reduzierter Durchmesser    | Rodete, reducido                | Impulsor reduzido                |
| 9  | Girante piena                   | Full impeller  | Roue pleine                          | Lauftrad, voller Durchmesser         | Rodete, completo                | Impulsor completo                |
| 10 | Camicia                         | Sleeve   | Chemise                              | Gehäuse                              | Camisa                          | Camisa                           |
| 11 | Albero                          | Shaft  | Arbre                                | Welle                                | Árbol                           | Veio                             |
| 14 | Corpo pompa                     | Pump body  | Corps de pompe                       | Pumpengehäuse                        | Caja bomba                      | Corpo da bomba                   |
| 15 | Diffusore boccola carbone       | Diffuser carbon bush                                   | Diffuseur douille carbone            | Diffusor und Büchse, Kohle           | Difusor casquillo carbón        | Difusor bucha carvão             |
| 20 | Kit tenuta mecc. + OR           | Mechanical seal + OR kit                               | Kit garniture mec. + joints toriques | Gleitringdichtung + O-Ring [Satz]    | Kit sello mec. + junta tórica   | Kit vedante mec. + OR            |
| 21 | Kit guarnizioni OR              | O ring kit   | Kit joints toriques                  | Dichtungssatz                        | Kit juntas tóricas              | Kit guarnições OR                |
| 23 | Anello sollevamento             | Lifting ring   | Anneau de levage                     | Huböse                               | Anillo de elevación             | Anel de suspensão                |
| 26 | Kit coppia di semigiunti        | Pair of half coupling kit                              | Kit paire de demi-manchons           | Kupplung [Satz]                      | Kit par de semijuntas           | Kit par de semi-juntas           |
| 27 | Kit protezione giunto           | Coupling guard kit                                     | Kit protection manchon               | Kupplungsschutz [Satz]               | Kit protección junta            | Kit protecção junta              |
| 28 | Kit tamburo reggispinta         | Thrust drum kit  | Kit tambour butée                    | Drucklagerscheibe [Satz]             | Kit tambor de empuje            | Kit tambor de impulso            |
| 29 | Kit bloccaggio giranti          | Impeller locking kit                                   | Kit blocage roues                    | Lauftrad Halt [Satz]                 | Kit bloqueo rodetes             | Kit bloqueio impulsores          |
| 30 | Kit bussola tenuta              | Bush seal kit  | Kit douille garniture                | ringdichtungssarretierung und mitneh | Kit casquillo sello             | kit bucha vedante                |
| 31 | Kit tiranti                     | Tie rods kit   | Kit tirants                          | Zugstangen [Satz]                    | Kit tirantes                    | Kit tirantes                     |
| 32 | Kit supporto boccola Widia      | Support tungsten bush kit                              | Kit support douille Widia            | Widia Halterung [Satz]               | Kit soporte casquillo Widia     | Kit suporte com tungstênio bucha |
| 33 | Kit diffusore boccola Widia     | Diffuser tungsten bush kit                             | Kit diffuseur douille Widia          | Diffusor mit Widia Büchse [Satz]     | Kit difusor casquillo Widia     | Kit difusor com tungstênio bucha |
| 34 | Kit parti di usura              | Wear parts kit   | Kit parties d'usure                  | Verschleißteile [Satz]               | Kit piezas de desgaste          | Kit peças desgastáveis           |
| 35 | Anello per camicie              | Sleeve ring  | Anneau pour chemises                 | Ringhülse                            | Anillo para camisas             | Anel para camisas                |
| 36 | Diffusore finale HT             | Final diffuser HT                                      | Diffuseur dernier étage HT           | Enddiffusor HT                       | Difusor final HT                | Difusor final HT                 |
| HT | Alta Temperatura                | High Temperature                                       | Haute Température                    | Hochtemperatur                       | Altas Temperaturas              | Temperatura Elevada              |
| N. | Beschrijving<br>nl              | Περιγραφή<br>el  | Açıklama<br>tr                       | Kuvau<br>fi                          | Описание<br>ru                  | Opis<br>pl                       |
|    | 33-92SV..H (150 °C)             |  |                                      |                                      |                                 |                                  |
| 1  | Motor                           | Πλήρης κινητήρας                                       | Motor                                | Moottori                             | Двигатель                       | Silnik                           |
| 2  | Lantaarnstuk                    | Μπρακέτο   | Adaptör                              | Sovitin                              | Крестовина                      | Piasta                           |
| 4  | Pluggen                         | Σετ ταπών  | Tapalar                              | Tulpat                               | Пробки                          | Zatyczki                         |
| 5  | Dichtingssteunplaat             | Δίσκος μηχανικού στυπιοθλίπτη                          | Sızdırmazlık elemanı diski           | Tiivisteenn kannatuslevy             | Пластина держателя прокладки    | Tarcza uszczelki                 |
| 6  | Bovenste kop                    | Κεφαλή αντλίας   | Üst kafa                             | Yläkansi                             | Верхняя головка                 | Głowica górna                    |
| 7  | Veer                            | Έλασμα   | Yay                                  | Jousi                                | Пружина                         | Sprężyna                         |
| 8  | Waaier met verkleinde diameter  | Πτερύγιο μειωμένης διαμέτρου                           | Küçük boyulu pompa rotoru            | Pieni juoksupyörä                    | Уменьшенное рабочее колесо      | Wirnik niepełny                  |
| 9  | Volle waaier                    | Πτερύγιο πλήρους διαμέτρου                             | Tam boyulu pompa rotoru              | Täydellinen juoksupyörä              | Полное рабочее колесо           | Wirnik pełny                     |
| 10 | Mantel                          | Κέλυφος  | Gömlük                               | Muhvi                                | Муфта                           | Plaszcz                          |
| 11 | As                              | Άξονας   | Mil                                  | Akseli                               | Вал                             | Wał                              |
| 14 | Pomphuis                        | Σώμα αντλίας   | Pompa gövdesi                        | Pumpun runko                         | Корпус насоса                   | Korpus pompy                     |
| 15 | Diffusor koollager              | Πτερύγιο εκτροπής με κουζινέτο                         | Karbon burçlu difüzör                | Diffuusori ja hiiliholkki            | Диффузор втулки угля            | Dyfuzor tulejki węgla            |
| 20 | Set mech. asafdichting + O-ring | Μηχανικός στυπιοθλίπτης και ροδέλες στεγανοποίησης     | Mekanik salmastra kiti + O-Ring      | Mek. tiiviste + O-rengassarja        | Комплект мех.прокладки + OR     | Zestaw uszcz.mech. + OR          |
| 21 | Set O-ringafdichtingen          | Σετ ροδέλες στεγανοποίησης                             | O-Ring kiti                          | O-rengassarja                        | Комплект кольцевых прокладок OR | Zestaw uszczcelek OR             |
| 23 | Hijs ring                       | Άρση δακτυλίδι   | Cihaz kaldırma                       | Nostorengas                          | Подъемные кольца                | Pierścienie podnoszenia          |
| 26 | Set koppelingshelften           | Σετ σταθερού συνδέσμου                                 | Çift yarım manşon kiti               | Liitinsarja                          | Комплект пары полумуфт          | Zestaw pary półzłączy            |
| 27 | Set koppelingsbescherming       | Καλύμματα προστασίας σταθερού συνδέσμου                | Manşon koruma kiti                   | Liitoksen suojuussarja               | Комплект защиты муфт            | Zestaw ochronny złącza           |
| 28 | Set druklagertrommel            | Σετ ωστικού εμβόλου                                    | Basınç yatağı tambur kiti            | Rumpusarja                           | Комплект упорного барабана      | Testaw bębna łożyska oporowego   |
| 29 | Set afdichtingsbus              | Σετ ασφάλισης περυγιών                                 | Pompa rotorlarını sabitleme kiti     | Juoksupyörien kiinnitysarja          | Комплект блокировки раб. колес  | Zestaw blokujący wirniki         |
| 30 | Set afdichtingsbus              | Σετ κουζινέτου μηχανικού στυπιοθλίπτη                  | Sızdırmazlık elemanı burcu kiti      | Holkki ja tiiviste                   | Комплект втулки уплотнения      | Zestaw busoli uszczel.           |
| 31 | Set trekstangen                 | Σετ ράβδων σύνδεσης                                    | Gergi çubuğu kiti                    | Vetotankosarja                       | Комплект тяг                    | Zestaw napinaczy                 |
| 32 | Set Widia steunbus              | Σετ κάτω κουζινέτου                                    | Tungsten burç mesnedi kiti           | Kannatin ja kovametalliholkki        | Комплект опоры втулки Widia     | Zestaw wspornika tulejki Wolfram |
| 33 | Set Widia diffusorbus           | Σετ περυγιού εκτροπής με κουζινέτο και δακτύλιο τριβής | Tungsten burçlu difüzör kiti         | Diffuusori ja kovametalliholkki      | Комплект диффузора втулки Widia | Zestaw dyfusora tulejki Wolfram  |
| 34 | Set slijtonderdelen             | Σετ δακτυλίων τριβής                                   | Aşınma parçaları kiti                | Kulumisiosien sarja                  | Комплект изнашиваемых частей    | Zestaw części podl. zużyciu      |
| 35 | Ring voor mantels               | Σύνδεσμος κελύφων                                      | Gömlük halkası                       | Muhvirengas                          | Кольцо муфты                    | Pierścień do płaszczy            |
| 36 | Diffusor laatste trap HT        | Τελευταίο πτερύγιο εκτροπής HT                         | Son difüzör HT                       | Loppuvaiheen diffusori HT            | Конечный диффузор HT            | Dyfuzor końcowy HT               |
| HT | Hoge Temperaturen               | Υψηλής θερμοκρασίας                                    | Yüksek isi                           | Korkea lämpötila                     | Высокая температура             | Wysokiej Temperatury             |

## 33SVGH 2 Pole 60Hz (33SVGH/D: motors IE3 fitted)

| ELP 2 P, 3 ~     |  | 33SV1/1AGH6     | 33SV1GH6           | 33SV2/2AGH6        | 33SV2/1AGH6     | 33SV2GH6        | 33SV3/2AGH6        | 33SV3/1AGH6     | 33SV3GH6  | 33SV4/2AGH6 | 33SV4/1AGH6 |
|------------------|--|-----------------|--------------------|--------------------|-----------------|-----------------|--------------------|-----------------|-----------|-------------|-------------|
| G - Version      |  |                 |                    |                    |                 |                 |                    |                 |           |             |             |
| T(IE2) ~ >       |  | 10158001H       | 10158002H          | 10158003H          | 10158004H       | 10158005H       | 10158006H          | 10158007H       | 10158008H | 10158009H   | 10158010H   |
| T(IE3) ~ >       |  | 10169001H       | 10169002H          | 10169003H          | 10169004H       | 10169005H       | 10169006H          | 10169007H       | 10169008H | 10169009H   | 10169010H   |
|                  |  | <b>33SV4GH6</b> | <b>33SV5/2AGH6</b> | <b>33SV5/1AGH6</b> | <b>33SV5GH6</b> | <b>33SV6/2A</b> | <b>33SV6/1AGH6</b> | <b>33SV6GH6</b> |           |             |             |
| T(IE2) ~ >       |  | 10158011H       | 10158012H          | 10158013H          | 10158014H       | 10158015H       | 10158016H          | 10158017H       |           |             |             |
| T(IE3) ~ >       |  | 10169011H       | 10169012H          | 10169013H          | 10169014H       | 10169015H       | 10169016H          | 10169017H       |           |             |             |
| Motor power kW > |  | 3,0             | 5,5                | 5,5                | 7,5             | 11,0            | 11,0               | 11,0            | 15,0      | 15,0        | 15,0        |
|                  |  | 18,5            | 18,5               | 22,0               | 22,0            | 22,0            | 30,0               | 30,0            |           |             |             |

### Single Unit and Kit

| STAGES > |                  | 1         | 2         | 3         | 4         | 5         | 6         |              |
|----------|------------------|-----------|-----------|-----------|-----------|-----------|-----------|--------------|
| 10       | Sleeve STD PN25  | 166441881 | 166441891 | 166441901 | 166441911 | 166441921 | 166441931 | 304SS, PN 25 |
|          | Sleeve OPT PN40  | 156408600 | 156408610 | 156408620 | 156408630 | 156408640 | 156408650 | 316SS, PN 40 |
| 11       | Shaft            | 165045621 | 165045631 | 165045641 | 165045651 | 165045661 | 165045671 | 431SS        |
| 31       | Tie rods kit SVG | KL22AAC   | KL22AAD   | KL22AAE   | KL22AAF   | KL22AAG   | KL22AAH   |              |

### Motor, Coupling, Adaptor

| **1 | kW >               | 3,0              | 5,5       | 7,5              | 11,0      | 15,0             | 18,5      | 22,0             | 30,0      |
|-----|--------------------|------------------|-----------|------------------|-----------|------------------|-----------|------------------|-----------|
|     | Motor 2P, 3 ~, IE2 | <b>50002PF00</b> | 50013PE00 | <b>50017PB00</b> | 50019PE00 | <b>50024PB00</b> | 50025PB00 | <b>50026PE00</b> | 107242103 |
|     | Motor 2P, 3 ~, IE3 | <b>50A02PF00</b> | 50A13PE00 | <b>50A17PB00</b> | 50A19PE00 | <b>50A24PB00</b> | 50A25PB00 | <b>50A26PE00</b> | 107242603 |
| 2   | Adaptor            | 161453620        | 161453640 | 161453640        | 161453660 | 161453660        | 161453660 | 161453660        | 161453680 |
| 23  | Lifting bracket    | -                | 161441050 | 161441050        | 161441060 | 161441060        | 161441060 | 161441060        | 161441070 |
| 26  | Coupling           | KL10AAB          | KL10AAC   | KL10AAC          | KL10AAD   | KL10AAD          | KL10AAD   | KL10AAE          | KL10AAF   |
| 27  | Coupling guard     | KL33AAA          | KL33AAB   | KL33AAB          | KL33AAC   | KL33AAC          | KL33AAC   | KL33AAC          | KL33AAC   |

### Wear parts, pump body

|                     |                   | ->33SV4   | ->33SV5   | ->33SV9   |
|---------------------|-------------------|-----------|-----------|-----------|
| drum, impeller stop |                   | 1 bearing | 1 bearing | 2 bearing |
| impeller locking    |                   | no drum   | drum      | drum      |
| * 34                | Wear Parts Kit    | KL35AA9   | KL35ABA   | KL35ABB   |
| 14                  | Pump body PN25-40 | 151351020 | 151351020 | 151351020 |
| 28                  | Drum EPDM HT      | -         | -         | KL41AA9   |
| 29                  | Impeller locking  | KL41AAG   | KL41AAG   | -         |

### Mech seal D22 + OR

| *20 | Materials -> | Q1AEGG  | KL01AEW | STD -> Q1AEGG - OR EPDM HT |
|-----|--------------|---------|---------|----------------------------|
|     |              | Q1AVGG  | KL01AEX |                            |
|     |              | Q1Q1VGG | KL01AC3 |                            |

### Common, Single Unit and Kit

|     |                           |         |           |   |
|-----|---------------------------|---------|-----------|---|
| 4   | Plugs                     | EPDM HT | KL34AAY   |   |
| 5   | Seal housing plate        |         | 160150260 |   |
| 6   | Upper head                |         | 161453740 |   |
| 7   | Spring                    |         | 169100190 |   |
| *8  | Reduced impeller A        |         | 150702820 |   |
| *9  | Full impeller             |         | 150702740 |   |
| 15  | Diffuser carbon bush      |         | 152801801 | 304 SS  |
| *21 | OR                        | EPDM HT | KL02AB7   | 1-2 Sleeve With Elastomers for Drum Pumps 33-46SV |
| 30  | Bush seal EPDM HT         |         | KL41AA8   |   |
| 32  | Support tungsten bush SVG |         | KL16AAA   |   |
| *33 | Diffuser tungsten bush    |         | KL05AC6   | From 33SV4, incl.                                 |
| 35  | Sleeve ring               |         | -         |   |
| 36  | Final diffuser            |         | 152803382 | 316 SS  |

\* Recommended spare parts - Parti di ricambio consigliate

\* Pièces détachées conseillées - Empfohlene Ersatzteile

\*\* Motor spare parts: see motor lists - Parti di ricambio motore: vedi liste motore

\*\* Pièces détachées Moteur : voir listes moteur - Motor-Ersatzteile: gem. Motorlisten

## 46SVGH 2 Pole 60Hz (46SVGH/D: motors IE3 fitted)

| ELP 2 P, 3 ~ |                 |                    |                    |                 |                    |                    |                 |           |             |             |
|--------------|-----------------|--------------------|--------------------|-----------------|--------------------|--------------------|-----------------|-----------|-------------|-------------|
| G - Version  | 46SV1/1AGH6     | 46SV1GH6           | 46SV2/2AGH6        | 46SV2/1AGH6     | 46SV2GH6           | 46SV3/2AGH6        | 46SV3/1AGH6     | 46SV3GH6  | 46SV4/2AGH6 | 46SV4/1AGH6 |
| T(IE2) ~ >   | 10158201H       | 10158202H          | 10158203H          | 10158204H       | 10158205H          | 10158207H          | 10158208H       | 10158209H | 10158211H   | 10158212H   |
| T(IE3) ~ >   | 10169201H       | 10169202H          | 10169203H          | 10169204H       | 10169205H          | 10169207H          | 10169208H       | 10169209H | 10169211H   | 10169212H   |
|              | <b>46SV4GH6</b> | <b>46SV5/2AGH6</b> | <b>46SV5/1AGH6</b> | <b>46SV5GH6</b> | <b>46SV6/2AGH6</b> | <b>46SV6/1AGH6</b> | <b>46SV6GH6</b> |           |             |             |
| T(IE2) ~ >   | 10158213H       | 10158215H          | 10158216H          | 10158217H       | 10158219H          | 10158220H          | 10158221H       |           |             |             |
| T(IE3) ~ >   | 10169213H       | 10169215H          | 10169216H          | 10169217H       | 10169219H          | 10169220H          | 10169221H       |           |             |             |
| Motor power  | 5.5             | 7.5                | 11.0               | 11.0            | 15.0               | 18.5               | 18.5            | 18.5      | 22.0        | 30.0        |
| kW >         | 30.0            | 30.0               | 30.0               | 30.0            | 37.0               | 37.0               | 37.0            |           |             |             |

### Single Unit and Kit

| 10 | Stages >         | 1         | 2         | 3         | 4         | 5         | 6         |              |
|----|------------------|-----------|-----------|-----------|-----------|-----------|-----------|--------------|
|    | Sleeve STD PN25  | 166441881 | 166441891 | 166441901 | 166441911 | 166441921 | 166441931 | 304SS, PN 25 |
|    | Sleeve OPT PN40  | 156408600 | 156408610 | 156408620 | 156408630 | 156408640 | 156408650 | 316SS, PN 40 |
| 11 | Shaft            | 165045621 | 165045631 | 165045641 | 165045651 | 165045661 | 165045671 | 431SS        |
| 31 | Tie rods kit SVG | KL22AAC   | KL22AAD   | KL22AAE   | KL22AAF   | KL22AAG   | KL22AAH   |              |

### Motor, Coupling, Adaptor

| **1 | kW >                 | 5,5       | 7,5              | 11,0      | 15,0             | 18,5      | 22,0             | 30,0      | 37,0             |
|-----|----------------------|-----------|------------------|-----------|------------------|-----------|------------------|-----------|------------------|
|     | Motor 2P, 3 ~, IE2 > | 50013PE00 | <b>50017PB00</b> | 50019PE00 | <b>50024PB00</b> | 50025PB00 | <b>50026PE00</b> | 107242103 | <b>107242203</b> |
|     | Motor 2P, 3 ~, IE3 > | 50A13PE00 | <b>50A17PB00</b> | 50A19PE00 | <b>50A24PB00</b> | 50A25PB00 | <b>50A26PE00</b> | 107242603 | 107242703        |
| 2   | Adaptor              | 161453640 | 161453640        | 161453660 | 161453660        | 161453660 | 161453660        | 161453680 | 161453680        |
| 23  | Lifting bracket      | 161441050 | 161441050        | 161441060 | 161441060        | 161441060 | 161441060        | 161441070 | 161441070        |
| 26  | Coupling             | KL10AAC   | KL10AAC          | KL10AAD   | KL10AAD          | KL10AAD   | KL10AAE          | KL10AAF   | KL10AAF          |
| 27  | Coupling guard       | KL33AAB   | KL33AAB          | KL33AAC   | KL33AAC          | KL33AAC   | KL33AAC          | KL33AAC   | KL33AAC          |

### Wear parts, pump body

|     |                                       | ->46SV3              | ->46SV4           | ->46SV9           |
|-----|---------------------------------------|----------------------|-------------------|-------------------|
|     | drum, impeller stop, impeller locking | 1 bearing<br>no drum | 1 bearing<br>drum | 2 bearing<br>drum |
| *34 | Wear Parts Kit                        | KL35ABE              | KL35ABX           | KL35ABG           |
| 14  | Pump body                             | PN16-40              | 151351060         | 151351060         |
| 28  | Drum                                  | EPDM HT              | -                 | KL41ABA           |
| 29  | Impeller locking                      | KL41AAG              | -                 | -                 |

### Mech seal D22 + OR

| *20 | Materials -> | Q1AEGG  | KL01AEW | STD -> Q1AEGG - OR EPDM HT |
|-----|--------------|---------|---------|----------------------------|
|     |              | Q1AVGG  | KL01AEX |                            |
|     |              | Q1Q1VGG | KL01AC3 |                            |

### Common, Single Unit and Kit

|     |                           |         |           |   |
|-----|---------------------------|---------|-----------|---|
| 4   | Plugs                     | EPDM HT | KL34AAY   |   |
| 5   | Seal housing plate        |         | 160150260 |   |
| 6   | Upper head                |         | 161453740 |   |
| 7   | Spring                    |         | 169100190 |   |
| 8   | Reduced impeller          |         | 150702830 |   |
| 9   | Full impeller             |         | 150702750 |   |
| 15  | Diffuser carbon bush      |         | 152801811 | 304SS   |
| *21 | OR                        | EPDM HT | KL02AB7   | 1-2 Sleeve<br>Elastomers for Drum Pumps 33-46SV |
| 30  | Bush seal EPDM HT         |         | KL41AA8   |   |
| 32  | Support tungsten bush SVG |         | KL16AAB   |   |
| *33 | Diffuser tungsten bush    |         | KL05AC7   | From 46SV5/2A, included                         |
| 35  | Sleeve ring               |         | -         |   |
| 36  | Final diffuser            |         | 152803382 | 316 SS  |

\* Recommended spare parts - Parti di ricambio consigliate

\* Pièces détachées conseillées - Empfohlene Ersatzteile

\*\* Motor spare parts: see motor lists - Parti di ricambio motore: vedi liste motore

\*\* Pièces détachées Moteur : voir listes moteur - Motor-Ersatzteile: gem. Motorlisten

## 66SVGH 2 Pole 60Hz (66SVGH/D: motors IE3 fitted)

| ELP 2 P, 3 ~ |                 |                    |                    |                 |           |             |             |           |             |             |
|--------------|-----------------|--------------------|--------------------|-----------------|-----------|-------------|-------------|-----------|-------------|-------------|
| G - Version  | 66SV1/1AGH6     | 66SV1GH6           | 66SV2/2AGH6        | 66SV2/1AGH6     | 66SV2GH6  | 66SV3/2AGH6 | 66SV3/1AGH6 | 66SV3GH6  | 66SV4/2AGH6 | 66SV4/1AGH6 |
| T(IE2) ~>    | 10158401H       | 10158402H          | 10158403H          | 10158404H       | 10158405H | 10158406H   | 10158407H   | 10158408H | 10158409H   | 10158410H   |
| T(IE3) ~>    | 10169401H       | 10169402H          | 10169403H          | 10169404H       | 10169405H | 10169406H   | 10169407H   | 10169408H | 10169409H   | 10169410H   |
|              | <b>66SV4GH6</b> | <b>66SV5/2AGH6</b> | <b>66SV5/1AGH6</b> | <b>66SV5NH6</b> |           |             |             |           |             |             |
| T(IE2) ~>    | 10158411H       | 10158412H          | 10158413H          | 10158414H       |           |             |             |           |             |             |
| T(IE3) ~>    | 10169411H       | 10169412H          | 10169413H          | 10169414H       |           |             |             |           |             |             |
| Motor power  | 7.5             | 11.0               | 15.0               | 18.5            | 18.5      | 22.0        | 30.0        | 30.0      | 37.0        | 37.0        |
| kW >         | 37.0            | 45.0               | 45.0               | 45.0            |           |             |             |           |             |             |

### Single Unit and Kit

| 10 | Stages >         | 1         | 2         | 3         | 4         | 5         |              |
|----|------------------|-----------|-----------|-----------|-----------|-----------|--------------|
|    | Sleeve STD PN25  | 166442081 | 166442091 | 166442101 | 166442111 | 166442121 | 304SS, PN 25 |
|    | Sleeve OPT PN40  | 156408750 | 156408760 | 156408770 | 156408780 | 156408790 | 316SS, PN 40 |
| 11 | Shaft            | 165045781 | 165045791 | 165045801 | 165045811 | 165045821 | 431SS        |
| 31 | Tie rods kit SVG | KL22AA5   | KL22AA6   | KL22AA7   | KL22AA8   | KL22AAH   |              |

### Motor, Coupling, Adaptor

| **1 | kW >                 | 7,5              | 11,0      | 15,0             | 18,5      | 22,0             | 30,0      | 37,0      | 45,0      |
|-----|----------------------|------------------|-----------|------------------|-----------|------------------|-----------|-----------|-----------|
|     | Motor 2P, 3 ~, IE2 > | <b>50017PB00</b> | 50019PE00 | <b>50024PB00</b> | 50025PB00 | <b>50026PE00</b> | 107242103 | 107242203 | 107242303 |
|     | Motor 2P, 3 ~, IE3 > | <b>50A17PB00</b> | 50A19PE00 | <b>50A24PB00</b> | 50A25PB00 | <b>50A26PE00</b> | 107242603 | 107242703 | 107242803 |
| 2   | Adaptor              | 161453640        | 161453660 | 161453660        | 161453660 | 161453660        | 161453680 | 161453680 | 161453700 |
| 23  | Lifting bracket      | 161441050        | 161441060 | 161441060        | 161441060 | 161441060        | 161441070 | 161441070 | 161441070 |
| 26  | Coupling             | KL10AAC          | KL10AAD   | KL10AAD          | KL10AAD   | KL10AAE          | KL10AAF   | KL10AAF   | KL10AAF   |
| 27  | Coupling guard       | KL33AAB          | KL33AAC   | KL33AAC          | KL33AAC   | KL33AAC          | KL33AAC   | KL33AAC   | KL33AAC   |

### Wear parts, pump body drum, impeller stop, impeller locking

|     |                  | ->66SV2              | ->66SV3           | ->66SV6           |
|-----|------------------|----------------------|-------------------|-------------------|
|     |                  | 1 bearing<br>no drum | 1 bearing<br>drum | 2 bearing<br>drum |
| *34 | Wear Parts kit   | KL35ABL              | KL35ABY           | KL35ABN           |
| 14  | Pump body PN25   | 151351130            | 151351130         | 151351130         |
| 28  | Drum EPDM        | -                    | KL41ABB           | KL41ABB           |
| 29  | Impeller locking | KL41AAG              | -                 | -                 |

### Mech seal D22 + OR

| *20 | Materials -> | Q1AEGG  | KL01AEW | STD -> Q1AEGG - OR EPDM HT |
|-----|--------------|---------|---------|----------------------------|
|     |              | Q1AVGG  | KL01AEX |                            |
|     |              | Q1Q1VGG | KL01AC3 |                            |

### Common, Single Unit and Kit

|     |                           |         |           |                         |
|-----|---------------------------|---------|-----------|-------------------------|
| 4   | Plugs                     | EPDM HT | KL34AAY   |                         |
| 5   | Seal housing plate        |         | 160150260 |                         |
| 6   | Upper head                |         | 161453760 |                         |
| 7   | Spring                    |         | 169100210 |                         |
| 8   | Reduced impeller          |         | 150702840 |                         |
| 9   | Full impeller             |         | 150702760 |                         |
| 15  | Diffuser carbon bush      |         | 152801821 | 304SS                   |
| *21 | OR                        | EPDM HT | KL02AB8   |                         |
| 30  | Bush seal EPDM HT         |         | KL41AA8   |                         |
| 32  | Support tungsten bush SVG |         | KL16AAC   |                         |
| *33 | Diffuser tungsten bush    |         | KL05AC8   | From 66SV4/2A, included |
| 36  | Final diffuser            |         | 152803392 | 316 SS                  |

\* Recommended spare parts - Parti di ricambio consigliate

\* Pièces détachées conseillées - Empfohlene Ersatzteile

\*\* Motor spare parts: see motor lists - Parti di ricambio motore: vedi liste motore

\*\* Pièces détachées Moteur : voir listes moteur - Motor-Ersatzteile: gem. Motorlisten

## 92SVGH 2 Pole 60Hz (92SVGH/D: motors IE3 fitted)

| ELP 2 P, 3 ~   | 92SV1/1AGH6 | 92SV1GH6  | 92SV2/2AGH6 | 92SV2/1AGH6 | 92SV2GH6  | 92SV3/2AGH6 | 92SV3/1AGH6 | 92SV3GH6  | 92SV4/2AGH6 |
|----------------|-------------|-----------|-------------|-------------|-----------|-------------|-------------|-----------|-------------|
| G - Version    |             |           |             |             |           |             |             |           |             |
| T(IE2) ~ >     | 10158601H   | 10158602H | 10158603H   | 10158604H   | 10158605H | 10158607H   | 10158608H   | 10158609H | 10158611H   |
| T(IE3) ~ >     | 10169601H   | 10169602H | 10169603H   | 10169604H   | 10169605H | 10169607H   | 10169608H   | 10169609H | 10169611H   |
| Mot power kW > | 11.0        | 15.0      | 18.5        | 22.0        | 30.0      | 37.0        | 37.0        | 45.0      | 45.0        |

### Single Unit and Kit

| 10 | Stages >         | 1         | 2         | 3         | 4         |              |
|----|------------------|-----------|-----------|-----------|-----------|--------------|
|    | Sleeve STD PN25  | 166442081 | 166442091 | 166442101 | 166442111 | 304SS, PN 25 |
|    | Sleeve OPT PN40  | 156408750 | 156408760 | 156408770 | 156408780 | 316SS, PN 40 |
| 11 | Shaft            | 165045781 | 165045791 | 165045801 | 165045811 | 431SS        |
| 31 | Tie rods kit SVG | KL22AA5   | KL22AA6   | KL22AA7   | KL22AA8   |              |

### Motor, Coupling, Motor Adaptor

| **1 | kW >                 | 11.0      | 15.0      | 18.5      | 22.0      | 30.0      | 37.0      | 45.0      |
|-----|----------------------|-----------|-----------|-----------|-----------|-----------|-----------|-----------|
|     | Motor 2P, 3 ~, IE2 > | 50019PE00 | 50024PB00 | 50025PB00 | 50026PE00 | 107242103 | 107242203 | 107242303 |
|     | Motor 2P, 3 ~, IE3 > | 50A19PE00 | 50A24PB00 | 50A25PB00 | 50A26PE00 | 107242603 | 107242703 | 107242803 |
| 2   | Adaptor              | 161453660 | 161453660 | 161453660 | 161453660 | 161453680 | 161453680 | 161453700 |
| 23  | Lifting bracket      | 161441060 | 161441060 | 161441060 | 161441060 | 161441070 | 161441070 | 161441070 |
| 26  | Coupling             | KL10AAD   | KL10AAD   | KL10AAD   | KL10AAE   | KL10AAF   | KL10AAF   | KL10AAF   |
| 27  | Coupling guard       | KL33AAC   | KL33AAC   | KL33AAC   | KL33AAC   | KL33AAC   | KL33AAC   | KL33AAC   |

### Wear parts, pump body

|                      |                  | ->92SV2   | ->92SV3   | ->92SV6   |
|----------------------|------------------|-----------|-----------|-----------|
| drum, impeller stop, |                  | 1 bearing | 1 bearing | 2 bearing |
| impeller locking     |                  | no drum   | drum      | drum      |
| *34                  | Wear parts Kit   | KL35ABR   | KL35ABZ   | KL35ABT   |
| 14                   | Pump body PN25   | 151351130 | 151351130 | 151351130 |
| 28                   | Drum EPDM HT     | -         | KL41ABB   | KL41ABB   |
| 29                   | Impeller locking | KL41AAG   | -         | -         |

### Mech seal D22 + OR

| *20 | Materials -> | Q1AEGG  | KL01AEW | STD -> Q1AEGG - OR EPDM HT |
|-----|--------------|---------|---------|----------------------------|
|     |              | Q1AVGG  | KL01AEX |                            |
|     |              | Q1Q1VGG | KL01AC3 |                            |

### Common, Single Unit and Kit

|     |                           |         |           |                         |
|-----|---------------------------|---------|-----------|-------------------------|
| 4   | Plugs                     | EPDM HT | KL34AAAY  |                         |
| 5   | Seal housing plate        |         | 160150260 |                         |
| 6   | Upper head                |         | 161453760 |                         |
| 7   | Spring                    |         | 169100210 |                         |
| 8   | Reduced impeller          |         | 150702850 |                         |
| 9   | Full impeller             |         | 150702770 |                         |
| 15  | Diffuser carbon bush      |         | 152801831 | 304SS                   |
| *21 | OR                        | EPDM HT | KL02AB8   |                         |
| 30  | Bush seal EPDM HT         |         | KL41AA8   |                         |
| 32  | Support tungsten bush SVG |         | KL16AAD   |                         |
| *33 | Diffuser tungsten bush    |         | KL05AC9   | From 92SV4/2A, included |
| 36  | Final diffuser            |         | 152803392 | 316 SS                  |

\* Recommended spare parts - Parti di ricambio consigliate

\* Pièces détachées conseillées - Empfohlene Ersatzteile

\*\* Motor spare parts: see motor lists - Parti di ricambio motore: vedi liste motore

\*\* Pièces détachées Moteur : voir listes moteur - Motor-Ersatzteile: gem. Motorlisten