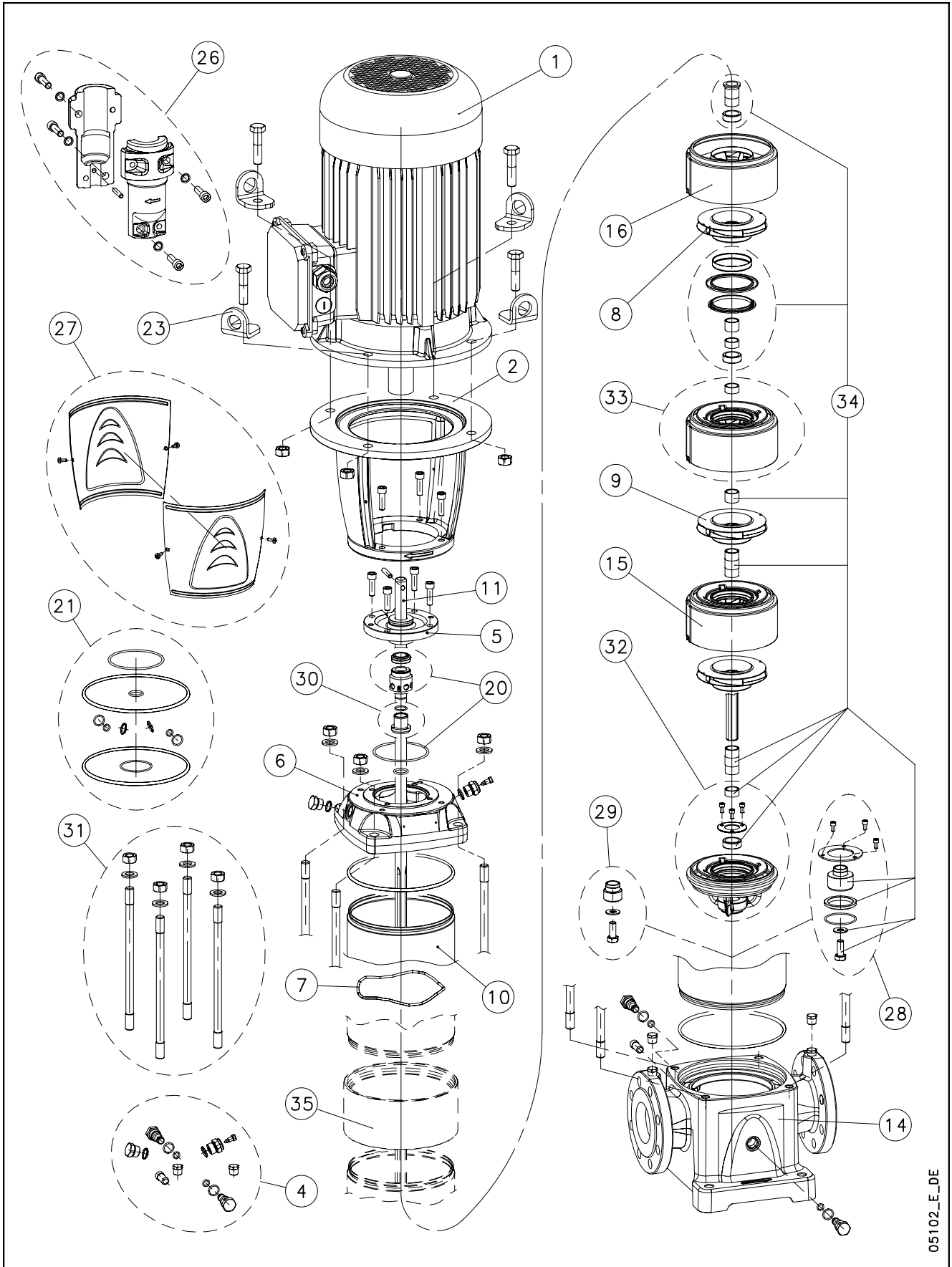


33, 46, 66, 92 SV



05102_E_DE

Lowara, Flygt and Vogel Pumpen are a trademark of Xylem Inc. or one of its subsidiaries. Goulds is a registered trademark of Goulds Pumps, Inc. and is used under license.

N.	Descrizione It	Description en	Description fr	Beschreibung de	Descripción es	Descrição pt
1	Motore	Motor	Moteur	Motor	Motor	Motor
2	Lanterna	Adaptor	Lanterne	Motorlaterne	Adaptador	Adaptador
4	Tappi	Plugs	Bouchons	Stopfen	Tapones	Tampões
5	Disco porta tenuta	Seal housing plate	Disque de support garniture	Dichtungsdeckel	Disco de alojamiento sello	Disco porta-vedante
6	Testata superiore	Upper head	Tête supérieure	Oberer kopf	Cabezal superior	Cabeça superior
7	Molla	Spring	Ressort	Feder	Muelle	Mola
8	Girante ridotta	Reduced impeller	Roue réduite	Laufrad, reduzierter Durchmesser	Rodete, reducido	Impulsor reduzido
9	Girante piena	Full impeller	Roue pleine	Laufrad, voller Durchmesser	Rodete, completo	Impulsor completo
10	Camicia	Sleeve	Chemise	Gehäuse	Camisa	Camisa
11	Albero	Shaft	Arbre	Welle	Árbol	Veio
14	Corpo pompa	Pump body	Corps de pompe	Pumpengehäuse	Caja bomba	Corpo da bomba
15	Diffusore boccola carbone	Diffuser carbon bush	Diffuseur douille carbone	Diffusor und Büchse, Kohle	Difusor casquillo carbón	Difusor bucha carvão
16	Diffusore finale	Last stage diffuser	Diffuseur dernier étage	Enddiffusor	Difusor final	Difusor final
20	Kit tenuta mecc. + OR	Mechanical seal + OR kit	Kit garniture mec. + joints toriques	Gleitringdichtung + O-Ring [Satz]	Kit sello mec. + junta tórica	Kit vedante mec. + OR
21	Kit guarnizioni OR	O ring kit	Kit joints toriques	Dichtungssatz	Kit juntas tóricas	Kit guarnições OR
23	Anello sollevamento	Lifting ring	Anneau de levage	Huböse	Anillo de elevación	Anel de suspensão
26	Kit coppia di semigiunti	Pair of half coupling kit	Kit paire de demi-manchons	Kupplung [Satz]	Kit par de semijuntas	Kit par de semi-juntas
27	Kit protezione giunto	Coupling guard kit	Kit protection manchon	Kupplungsschutz [Satz]	Kit protección junta	Kit proteção junta
28	Kit tamburo reggipinta	Thrust drum kit	Kit tambour butée	Drucklagerscheibe [Satz]	Kit tambor de empuje	Kit tambor de impulso
29	Kit bloccaggio giranti	Impeller locking kit	Kit blocage roues	Laufrad Halt [Satz]	Kit bloqueo rodetes	Kit bloqueio impulsores
30	Kit bussola tenuta	Bush seal kit	Kit douille garniture	ringdichtungsarretierung und mitneh	Kit casquillo sello	kit bucha vedante
31	Kit tiranti	Tie rods kit	Kit tirants	Zugstangen [Satz]	Kit tirantes	Kit tirantes
32	Kit supporto boccola Widia	Support tungsten bush kit	Kit support douille Widia	Widia Halterung [Satz]	Kit soporte casquillo Widia	Kit suporte com tungstênio bucha
33	Kit diffusore boccola Widia	Diffuser tungsten bush kit	Kit diffuseur douille Widia	Diffusor mit Widia Büchse [Satz]	Kit difusor casquillo Widia	Kit difusor com tungstênio bucha
34	Kit parti di usura	Wear parts kit	Kit parties d'usure	Verschleißteile [Satz]	Kit piezas de desgaste	Kit peças desgastáveis
35	Anello per camicie	Sleeve ring	Anneau pour chemises	Ringhülse	Anillo para camisas	Anel para camisas
N.	Beschrijving nl	Περιγραφή el	Açıklama tr	Kuvau fi	Описание ru	Opis pl
1	Motor	Πλήρης κινητήρας	Motor	Moottori	Двигатель	Silnik
2	Lantaarnstuk	Μπρακέτο	Adaptör	Sovitin	Крестовина	Piasta
4	Pluggen	Σετ πατών	Tapalar	Tulpat	Пробки	Zatyczki
5	Dichtingssteunplaat	Δίσκος μηχανικού στυπιοθλίπτη	Sızdırmazlık elemanı diski	Tiivisteenn kannatuslevy	Пластина держателя прокладки	Tarcza uszczelki
6	Bovenste kop	Κεφαλή αντλίας	Üst kafa	Yläkansi	Верхняя головка	Głowica górna
7	Veer	Έλασμα	Yay	Jousi	Пружина	Sprężyna
8	Waaier met verkleinde diameter	Πτερύγιο μειωμένης διαμέτρου	Küçük boylu pompa rotoru	Pieni juoksupyörä	Уменьшенное рабочее колесо	Wirmik niepełny
9	Volle waaier	Πτερύγιο πλήρους διαμέτρου	Tam boylu pompa rotoru	Täydellinen juoksupyörä	Полное рабочее колесо	Wirmik pełny
10	Mantel	Κέλυφος	Gömlek	Muhvi	Муфта	Plaszcz
11	As	Άξονας	Mil	Akseli	Вал	Wał
14	Pomphuis	Σώμα αντλίας	Pompa gövdesi	Pumpun runko	Корпус насоса	Korpus pompy
15	Diffusor koollager	Πτερύγιο εκτροπής με κουζινέτο	Karbon burçlu difüzör	Diffusori ja hiiliholkki	Диффузор втулки угля	Dyfuzor tulejki węgla
16	Diffusor laatste trap	Τελευταίο πτερύγιο εκτροπής	Son difüzör	Loppuvaiheen diffuusori	Конечный диффузор	Dyfuzor końcowy
20	Set mech. asafdichting + O-ring	Μηχανικός στυπιοθλίπτης και ροδέλες στεγανοποίησης	Mekanik salmastra kiti + O-Ring	Mek. tiiviste + O-rengassarja	Комплект мех.прокладки + OR	Zestaw uszcz. mech. + OR
21	Set O-ringafdichtingen	Σετ ροδέλες στεγανοποίησης	O-Ring kiti	O-rengassarja	Комплект кольцевых прокладок OR	Zestaw uszczeliek OR
23	Hijs ring	Άρση δαχτυλίδι	Cihaz kaldırma	Nostorengas	Подъемные кольца	Pierścień podnoszenia
26	Set koppelingshelften	Σετ σταθερού συνδέσμου	Çift yarım manşon kiti	Liitinsarja	Комплект пары полумуфт	Zestaw pary półzłączy
27	Set koppelingsbescherming	Καλύμματα προστασίας σταθερού συνδέσμου	Manşon koruma kiti	Liitoksen suojuussarja	Комплект защиты муфт	Zestaw ochronny złącza
28	Set druklagertrommel	Σετ ωστικού εμβόλου	Basınç yatağı tambur kiti	Rumpusarja	Комплект упорного барабана	Testaw bębna łożyska oporowego
29	Set waaierblokkeringen	Σετ ασφάλισης πτερυγίων	Pompa rotorlarını sabitleme kiti	Juoksupyörien kiinnityssarja	Комплект блокировки раб. колес	Zestaw blokujący wirmiki
30	Set afdichtingsbus	Σετ κουζινέτου μηχανικού στυπιοθλίπτη	Sızdırmazlık elemanı burcu kiti	Holkki ja tiiviste	Комплект втулки уплотнения	Zestaw busoli uszczel.
31	Set trekstangen	Σετ ράβδων σύνδεσης	Gergi çubuğu kiti	Vetotankosarja	Комплект тяг	Zestaw napinaczy
32	Set Widia steunbus	Σετ κάτω κουζινέτου	Tungsten burç mesnedi kiti	Kannatin ja kovametalliholkki	Комплект опоры втулки Widia	Zestaw wspornika tulejki Wolfram
33	Set Widia diffusorbus	Σετ πτερυγίου εκτροπής με κουζινέτο και δακτύλιο τριβής	Tungsten burçlu difüzör kiti	Diffusori ja kovametalliholkki	Комплект диффузора втулки Widia	Zestaw dyfuzora tulejki Wolfram
34	Set slijtonderdelen	Σετ δακτύλιων τριβής	Aşınma parçaları kiti	Kulumisiosien sarja	Комплект изнашиваемых частей	Zestaw części podł. zużyciu
35	Ring voor mantels	Σύνδεσμος κελύφων	Gömlek halkası	Muhvirengas	Кольцо муфты	Pierścień do płaszczy

33SVNL 2 Pole 60Hz (33SVNL/D: motors IE3 fitted)

ELP 2 P, 3 ~										
N - Version	33SV2/1ANL6	33SV2NL6	33SV3/2ANL6	33SV3/1ANL6	33SV3NL6	33SV4/2ANL6	33SV4/1ANL6	33SV4NL6	33SV5/2ANL6	33SV5/1ANL6
T(IE2) ~>	10158004G	10158005G	10158006G	10158007G	10158008G	10158009G	10158010G	10158011G	10158012G	10158013G
T(IE3) ~>	10169004G	10169005G	10169006G	10169007G	10169008G	10169009G	10169010G	10169011G	10169012G	10169013G
	33SV5NL6	33SV6/2A	33SV6/1ANL6	33SV6NL6	33SV7/2AN6	33SV7/1AN6	33SV7N6	33SV8/2AN6	33SV8/1AN6	33SV8N6
T(IE2) ~>	10158014G	10158015G	10158016G	10158017G	10158018G	10158019G	10158020G	10158021G	10158022G	10158023G
T(IE3) ~>	10169014G	10169015G	10169016G	10169017G	10169018G	10169019G	10169020G	10169021G	10169022G	10169023G
Motor power	7,5	11,0	11,0	15,0	15,0	15,0	18,5	18,5	18,5	22,0
kw >	22,0	30,0	30,0	30,0	30,0	30,0	30,0	37,0	37,0	37,0

Single Unit and Kit

STAGES >	2	3	4	5	6	7	8	
10 Sleeve STD PN25	166441890	166441900	166441910	166441920	166441930	166441940	166441950	304SS, PN 25
11 Shaft	165045630	165045640	165045650	165045660	165045670	165045680	165045690	431SS
31 Tie rods kit SVG	KL22AAT	KL22AAU	KL22AAV	KL22AAW	KL22AAX	KL22AAY	KL22AAZ	

Motor, Coupling, Adaptor

**1	kw >	7,5	11,0	15,0	18,5	22,0	30,0	37,0
Motor 2P, 3 ~, IE2 >		50017PB00	50019PE00	50024PB00	50025PB00	50026PE00	107242103	107242203
Motor 2P, 3 ~, IE3 >		50A17PB00	50A19PE00	50A24PB00	50A25PB00	50A26PE00	107242603	107242703
2 Adaptor		161453640	161453660	161453660	161453660	161453660	161453680	161453680
23 Lifting bracket		161441050	161441060	161441060	161441060	161441060	161441070	161441070
26 Coupling		KL10AAC	KL10AAD	KL10AAD	KL10AAD	KL10AAE	KL10AAF	KL10AAF
27 Coupling guard		KL33AAB	KL33AAC	KL33AAC	KL33AAC	KL33AAC	KL33AAC	KL33AAC

Wear parts, pump body

		->33SV4	33SV4	- >33SV9
drum, impeller stop		1 bearing	1 bearing	2 bearing
impeller locking		no drum	drum	drum
* 34 Wear Parts Kit		KL35AA9	KL35ABW	KL35ABB
14 Pump body	PN16	151302000	-	-
	PN25-40	-	151302020	151302020
28 Drum	EPDM	-	KL41AAA	KL41AAA
	FPM	-	KL41AAD	KL41AAD
	FEP	-	KL41AAS	KL41AAS
29 Impeller locking		KL41AAG	-	-

Mech seal Kit D22 + OR

*20	Materials ->	Q1BEGG	KL01AC0	STD -> Q1BEGG - OR EPDM
		Q1Q1EGG	KL01AC1	
		Q1BVGG	KL01AC2	
		Q1Q1VGG	KL01AC3	
		Q1CTGG	KL01AC5	
		Q1Q1TGG	KL01AC6	

Common, Single Unit and Kit

4	Plugs	EPDM	KL34AAF	
		FPM	KL34AAG	
		FEP	KL34AAH	
5	Seal housing plate		160102850	
6	Upper head		161440020	
7	Spring		169100190	
8	Reduced impeller		150702820	
9	Full impeller		150702840	
	First impeller 46SV, full		150702750	
15	Diffuser carbon bush		152801800	316SS
16	Last stage diffuser		152801730	316SS
*21	OR	EPDM	KL02AAA	Single-Double Sleeve
		FPM	KL02AAD	
		FEP	KL02AA7	
30	Bush seal		KL41AAH	
32	Support tungsten bush SVN		KL16AAF	46SV support
*33	Diffuser tungsten bush		KL05AC6	From 33SV5/2A, incl.
35	Sleeve ring		-	

* Recommended spare parts - Parti di ricambio consigliate

* Pièces détachées conseillées - Empfohlene Ersatzteile

** Motor spare parts: see motor lists - Parti di ricambio motore: vedi liste motore

** Pièces détachées Moteur : voir listes moteur - Motor-Ersatzteile: gem. Motorlisten

46SVNL 2 Pole 60Hz (46SVNL/D: motors IE3 fitted)

ELP 2 P, 3 ~										
N - Version	46SV2/1ANL6	46SV2NL6	46SV3/2ANL6	46SV3/1ANL6	46SV3NL6	46SV4/2ANL6	46SV4/1ANL6	46SV4NL6	46SV5/2ANL6	46SV5/1ANL6
T(IE2) ~>	10158204G	10158205G	10158207G	10158208G	10158209G	10158211G	10158212G	10158213G	10158215G	10158216G
T(IE3) ~>	10169204G	10169205G	10169207G	10169208G	10169209G	10169211G	10169212G	10169213G	10169215G	10169216G
	46SV5NL6	46SV6/2ANL6	46SV6/1ANL6	46SV6NL6	46SV7/2ANL6	46SV7/1ANL6	46SV7NL6			
T(IE2) ~>	10158217G	10158219G	10158220G	10158221G	10158223G	10158224G	10158225G			
T(IE3) ~>	10169217G	10169219G	10169220G	10169221G	10169223G	10169224G	10169225G			
Motor power	15.0	15.0	18.5	22.0	22.0	30.0	30.0	30.0	30.0	37.0
kW >	37.0	37.0	45.0	45.0	45.0	45.0	45.0			

Single Unit and Kit

10	Stages >	2	3	4	5	6	7	
	Sleeve STD PN25	166441890	166441900	166441910	166441920	166441930	166441940	304SS, PN 25
11	Shaft	165045630	165045640	165045650	165045660	165045670	165045680	431SS
31	Tie rods kit SVG	KL22AAT	KL22AAU	KL22AAV	KL22AAW	KL22AAX	KL22AAY	

Motor, Coupling, Adaptor

**1	kW >	15.0	18.5	22.0	30.0	37.0	45.0
	Motor 2P,3 ~, IE2 >	50024PB00	50025PB00	50026PE00	107242103	107242203	107242303
	Motor 2P,3 ~, IE3 >	50A24PB00	50A25PB00	50A26PE00	107242603	107242703	107242803
2	Adaptor	161453660	161453660	161453660	161453680	161453680	161453700
23	Lifting bracket	161441060	161441060	161441060	161441070	161441070	161441070
26	Coupling	KL10AAD	KL10AAD	KL10AAE	KL10AAF	KL10AAF	KL10AAF
27	Coupling guard	KL33AAC	KL33AAC	KL33AAC	KL33AAC	KL33AAC	KL33AAC

Wear parts, pump body drum, impeller stop, impeller locking

		->46SV3	->46SV4	->46SV9
		1 bearing no drum	1 bearing drum	2 bearing drum
*34	Wear Parts Kit	KL35ABE	KL35ABX	KL35ABG
	Impeller spacer	162503112	162503112	162503112
14	Pump body	PN16 PN16-40	151302040 -	- 151302060
28	Drum	EPDM FPM FEP	KL41AAB KL41AAE KL41AAT	KL41AAB KL41AAE KL41AAT
29	Impeller locking	KL41AAG	-	-

Mech seal Kit D22 + OR

*20	Materials ->	Q1BEGG	KL01AC0	STD -> Q1BEGG - OR EPDM
		Q1Q1EGG	KL01AC1	
		Q1BVGG	KL01AC2	
		Q1Q1VGG	KL01AC3	
		Q1CTGG	KL01AC5	
		Q1Q1TGG	KL01AC6	

Common, Single Unit and Kit

4	Plugs	EPDM FPM FEP	KL34AAF KL34AAG KL34AAH	
5	Seal housing plate		160102850	
6	Upper head		161440020	
7	Spring		169100190	
8	Reduced impeller		150702830	
9	Full impeller		150702750	
	First impeller 46SV		150703732	Low NPSH impeller
15	Diffuser carbon bush		152801810	316SS
16	Last stage diffuser		152801730	316SS
*21	OR	EPDM FPM FEP	KL02AAA KL02AAD KL02AA7	
30	Bush seal		KL41AAH	
32	Support tungsten bush SVN		KL16AAR	46SV Low NPSH support
*33	Diffuser tungsten bush		KL05AC7	From 46SV5/2A, included
35	Sleeve ring		-	

* Recommended spare parts - Parti di ricambio consigliate

* Pièces détachées conseillées - Empfohlene Ersatzteile

** Motor spare parts: see motor lists - Parti di ricambio motore: vedi liste motore

** Pièces détachées Moteur : voir listes moteur - Motor-Ersatzteile: gem. Motorlisten

66SVNL 2 Pole 60Hz (66SVNL/D: motors IE3 fitted)

ELP 2 P, 3 ~									
N - Version	66SV2/1ANL6	66SV2NL6	66SV3/2ANL6	66SV3/1ANL6	66SV3NL6	66SV4/2ANL6	66SV4/1ANL6	66SV4NL6	66SV5/2ANL6
T(IE2) ~ >	10158404G	10158405G	10158406G	10158407G	10158408G	10158409G	10158410G	10158411G	10158412G
T(IE3) ~ >	10169404G	10169405G	10169406G	10169407G	10169408G	10169409G	10169410G	10169411G	10169412G
Motor power kW >	18.5	22.0	30.0	30.0	37.0	37.0	37.0	45.0	45.0

Single Unit and Kit

10	Stages >	2	3	4	5	
	Sleeve STD PN25	166442090	166442100	166442110	166442120	304SS, PN 25
11	Shaft	165045790	165045800	165045810	165045820	431SS
31	Tie rods kit SVG	KL22ABD	KL22ABE	KL22ABF	KL22AAX	

Motor, Coupling, Motor Adaptor

**1	kW >	18.5	22.0	30.0	37.0	45.0
	Motor 2P, 3 ~, IE2 >	50025PB00	50026PE00	107242103	107242203	107242303
	Motor 2P, 3 ~, IE3 >	50A25PB00	50A26PE00	107242603	107242703	107242803
2	Adaptor	161453660	161453660	161453680	161453680	161453700
23	Lifting bracket	161441060	161441060	161441070	161441070	161441070
26	Coupling	KL10AAD	KL10AAE	KL10AAF	KL10AAF	KL10AAF
27	Coupling guard	KL33AAC	KL33AAC	KL33AAC	KL33AAC	KL33AAC

Wear parts, pump body drum, impeller stop, impeller locking

		->66SV2	->66SV3	->66SV6
		1 bearing no drum	1 bearing drum	2 bearing drum
*34	Wear Parts kit	KL35ABL	KL35ABY	KL35ABN
14	Pump body	PN16	151302070	151302090
		PN25	-	-
28	Drum	EPDM	-	KL41AAC
		FPM	-	KL41AAF
		FEP	-	KL41AAU
29	Impeller locking	KL41AAG	-	-

Mech seal Kit D22 + OR

*20	Materials ->	Q1BEGG	KL01AC0	STD -> Q1BEGG - OR EPDM
		Q1Q1EGG	KL01AC1	
		Q1BVGG	KL01AC2	
		Q1Q1VGG	KL01AC3	
		Q1CTGG	KL01AC5	
		Q1Q1TGG	KL01AC6	

Common, Single Unit and Kit

4	Plugs	EPDM	KL34AAF	
		FPM	KL34AAG	
		FEP	KL34AAH	
5	Seal housing plate	160102850		
6	Upper head	161440040		
7	Spring	169100210		
8	Reduced impeller	150702840		
9	Full impeller	150702760		
		First impeller 92SV, full	150702770	
15	Diffuser carbon bush	152801820	316SS	
16	Last stage diffuser	152801750	316SS	
*21	OR	EPDM	KL02AAC	
		FPM	KL02AAF	
		FEP	KL02AA9	
30	Bush seal	KL41AAH		
32	Support tungsten bush SVN	KL16AAH	92SV support	
*33	Diffuser tungsten bush	KL05AC8	From 66SV4/2A, included	

* Recommended spare parts - Parti di ricambio consigliate

* Pièces détachées conseillées - Empfohlene Ersatzteile

** Motor spare parts: see motor lists - Parti di ricambio motore: vedi liste motore

** Pièces détachées Moteur : voir listes moteur - Motor-Ersatzteile: gem. Motorlisten

xylem

