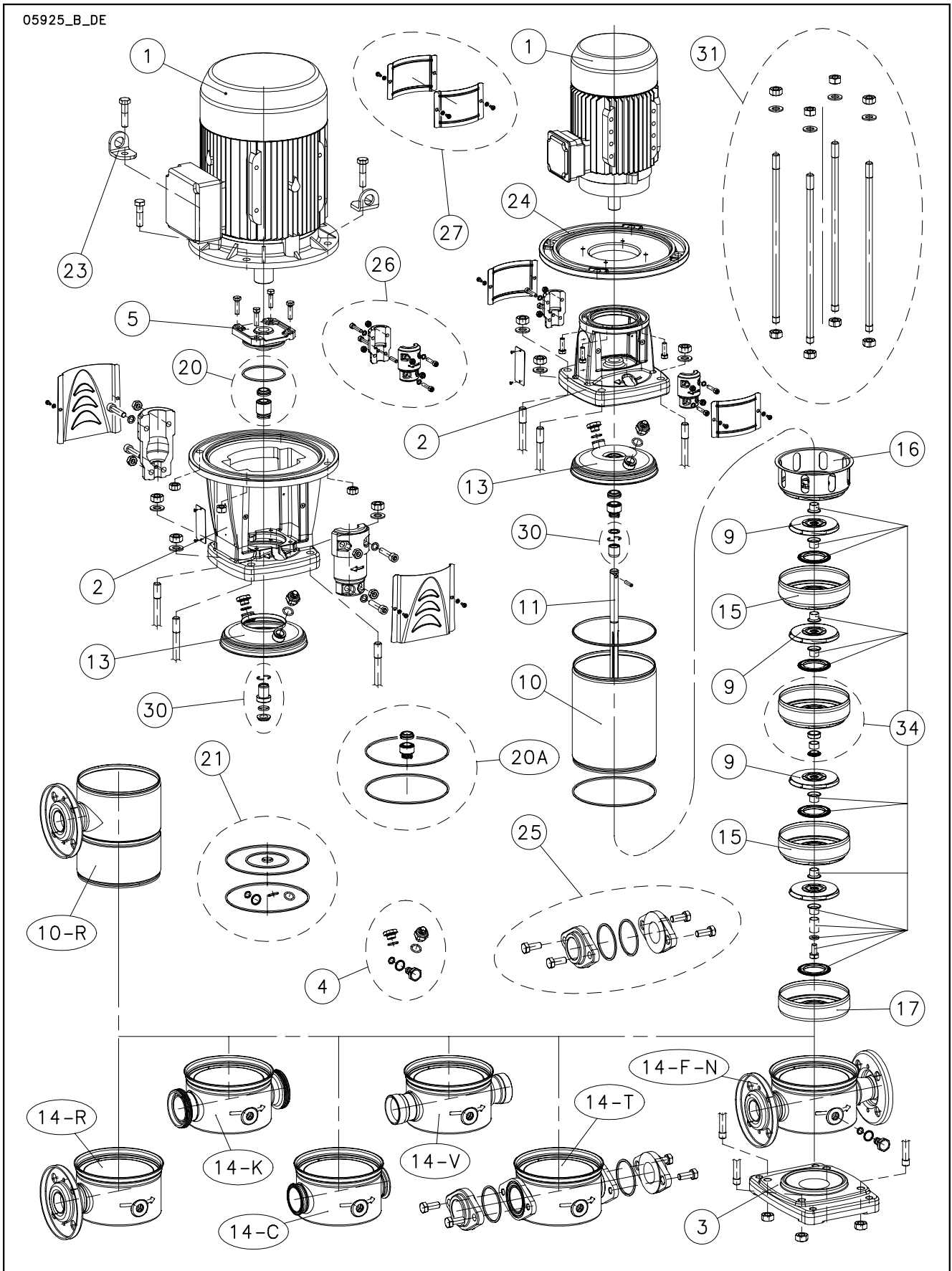


1, 3, 5, 10, 15, 22SV



Lowara and Vogel Pumpen are a trademark of Xylem Inc. or one of its subsidiaries. Goulds is a registered trademark of Goulds Pumps, Inc. and is used under license.

N.	Descrizione It	Description en	Description fr	Beschreibung de	Descripción es	Descrição pt
1	Motore	Motor	Moteur	Motor	Motor	Motor
2	Lanterna	Adaptor	Lanterne	Motorlanterne	Adaptador	Adaptador
3	Base	Basement	Base	Untersatz	Base	Base
4	Tappi	Plugs	Bouchons	Stopfen	Tapones	Tampões
5	Portatenuta superiore	Upper holder	Disque supérieure	Oberer dichtungsdeckel	Disco superior	Disco superior
9	Girante	Impeller	Roue	Laufrad	Rodete	Impulsor
10	Camicia	Sleeve	Chemise	Gehäuse	Camisa	Camisa
11	Albero	Shaft	Arbre	Welle	Árbol	Veio
13	Disco porta tenuta	Seal housing disc	Disque de garniture	Dichtungsdeckel	Disco de alojamiento sello	Disco porta-vedante
14	Corpo pompa	Pump body	Corps de pompe	Pumpengehäuse	Caja bomba	Corpo da bomba
15	Diffusore	Diffuser	Diffuseur	Diffusor	Difusor	Difusor
16	Diffusore finale	Last stage diffuser	Diffuseur dernier étage	Enddiffusor	Difusor final	Difusor final
17	Scatola stadio iniziale	Initial stage box	Box premier étage	Erste Stufe Diffusor	Caja etapa inicial	Carcaça primeira célula
20	Kit tenuta mecc. + OR	Mechanical seal + OR kit	Kit garniture mec. + joints toriques	Gleitringdichtung + O-Ring [Satz]	Kit sello mec. + junta tórica	Kit vedante mec. + OR
21	Kit guarnizioni OR	O ring kit	Kit joints toriques	Dichtungssatz	Kit juntas tóricas	Kit guarnições OR
23	Staffa sollevamento	Lifting bracket	Support de levage	Hebeösen	Soporte de elevación	Suporte de suspensão
24	Flangia motore	Motor flange	Bride moteur	Motorflansch	Brida motor	Flange motor
25	Kit controflangia ovale	O val counterflange kit	Kit contrebride ovale	Gegenflansch oval [Satz]	Kit contrabrida oval	Kit contraflange oval
26	Kit coppia di semigiunti	Pair of half coupling kit	Kit paire de demi-manchons	Kupplung [Satz]	Kit par de semijuntas	Kit par de semi-juntas
27	Kit protezione giunto	Coupling guard kit	Kit protection manchon	Kupplungsschutz [Satz]	Kit protección junta	Kit protecção junta
30	Kit bussola tenuta	Bush seal kit	Kit douille garniture	Gleitringdichtungsarretierung und mitnehmer	Kit casquillo sello	kit bucha vedante
31	Kit tiranti	Tie rods kit	Kit tirants	Zugstangen [Satz]	Kit tirantes	Kit tirantes
34	Kit parti di usura	Wear parts kit	Kit parties d'usure	Verschleißteile [Satz]	Kit piezas de desgaste	Kit peças desgastáveis
N.	Beschrijving nl	Περιγραφή el	Açıklama tr	Kuvaus fi	Описание ru	Opis pl
1	Motor	Πλήρης κινητήρας	Motor	Moottori	Двигатель	Silnik
2	Lantaarnstuk	Μπρακέτο	Adaptör	Sovitin	Крестовина	Piasta
3	Pompvoet	Βάση	Kaide	Perusta	Основание	Podstawa
4	Pluggen	Σετ ταπών	Tapalar	Tulpat	Пробки	Zatyczki
5	Bovenste plaat	Ανώτερος Δίσκος	Üst disk	Ylempi levy	Верхний держатель дисков	Tarcza górna
9	Waaier	στροφέιο	Pompa rotoru	Juoksupyöriä	рабочее колесо	Wirnik
10	Mantel	Κέλυφος	Gömlük	Muhvi	Муфта	Plaszcz
11	As	Άξονας	Mil	Akseli	Вал	Wał
13	Dichtingssteenplaat	Δίσκος μηχανικού στυπιοθλίπτη	Sızdırmazlık elemanı disk	Tiivisteenn kannatuslevy	Пластина держателя прокладки	Tarcza uszczelki
14	Pomphuis	Σώμα αντλίας	Pompa gövdesi	Pumpun runko	Корпус насоса	Korpus pompy
15	Diffusor	Πτερύγιο εκτροπής	Difüzör	Diffusori	Диффузор	Dyfuzor
16	Diffusor laatste trap	Τελευταίο πτερύγιο εκτροπής	Son difüzör	Loppuvaiheen diffusori	Конечный диффузор	Dyfuzor końcowy
17	Kast eerste trap	Πρώτο πτερύγιο εκτροπής	İlk kademe kutusu	Ensivaiheen laatikko	Коробка начальной стадии	Skrzynka początkowego stadium
20	Set mech. asafdichting + O-ring	Μηχανικός στυπιοθλίπτης και ροδέλες στεγανοποίησης	Mekanik salmastra kiti + O-Ring	Mek. tiiviste + O-rengassarja	Комплект мех. прокладки + OR	Zestaw uszcz. mech. + OR
21	Set O-ringafdichtingen	Σετ ροδέλες στεγανοποίησης	O-Ring kiti	O-rengassarja	Комплект кольцевых прокладок OR	Zestaw uszczeliek OR
23	Hijs steun	Άρση αγκύλη	Dirsek Kaldırma	Nosto ylätuki	Подъемные кронштейн	Podnoszenia wspornik
24	Motorflens	Μπρακέτο κινητήρα	Motor flanş	Moottorin laippa	Фланец двигателя	Kolnierz silnika
25	Set ovale flenzen	Σετ Οβάλ φλάντζα	Oval flanş kiti	Soikeiden vastalaipprojen sarja	Комплект Овальный фланец	Zestaw Kolnierz owalnych
26	Set koppelingshefften	Σετ σταθερού συνδέσμου	Çift yarım manşon kiti	Liitinsarja	Комплект пары полумуфт	Zestaw pary półzłączy
27	Set koppelingsbescherming	Καλύμματα προστασίας σταθερού συνδέσμου	Manşon koruma kiti	Liitoksen suojuussarja	Комплект защиты муфт	Zestaw ochrony złączy
30	Set afdichtingsbus	Σετ κουζινέτου μηχανικού στυπιοθλίπτη	Sızdırmazlık elemanı burcu kiti	Holkki ja tiiviste	Комплект втулки уплотнения	Zestaw busoli uszczel.
31	Set trekstangen	Σετ ράβδων σύνδεσης	Gergi çubuğu kiti	Vetotankosarja	Комплект тяг	Zestaw napinaczy
34	Set slijtonderdelen	Σετ δακτυλίων τριβής	Aşınma parçaları kiti	Kulumisiosien sarja	Комплект изнашиваемых частей	Zestaw części podl. zużyciu

1SV P 2 Pole 60Hz

Production date >Sept 2010

ELP 2 P 60							
P Version	1SV15P0156	1SV17P0156	1SV18P0226	1SV20P0226	1SV22P0226	1SV24P0226	1SV26P0226
M ~>							
T ~>	1016L484A	1016L486A	1016L487A	1016L489A	1016L491A	1016L493A	1016L495A

Single Unit and Kit

10	Sleeve PN40 A31	156502622	156502662	156502682	156502702	156502742	156502772	156502802
11	Shaft A316	165050242B	165050282B	165050302B	165050322B	165050362B	165050392B	165050422B
31	Tie rods SVN kit	KL22APB	KL22ACW	KL22APD	KL22APE	KL22APG	KL22APH	KL22APK

Motor, Coupling, Motor adaptor

Motor power kW >	1,5	1,5	2,2	2,2	2,2	2,2	2,2
------------------	-----	-----	-----	-----	-----	-----	-----

**1	kW >	1,5	2,2
	Motor 2P, 1 ~>		
	Motor 2P, 3 ~>	50000PD00	50001PD00
2	Adaptor	161470740	161470740
23	Lifting bracket	-	-
26	Coupling	KL10ABE	KL10ABE
27	Coupling guard	KL33AAP	KL33AAP

Wear Parts kit

up to model (->)	-> 1SV20	-> 1SV27	
*34	Wear parts	KL35AEY	KL35AEZ

Mechanical seal Kit : Mech seal D12 + sleeve OR

*20	Materials ->	Q1BEGG	KL01AD8	Std -> Seal Q1BEGG - OR EPDM sleeve / Balanced PN40
		Q1Q1EGG	KL01AEB	
		Q1BVGG	KL01AEC	
		Q1Q1VGG	KL01AED	
		Q1CTGG	TBD	
		Q1Q1TGG	TBD	

Common, Single Unit and kit

3	Base	161431310	-> 1-3-5 SV N-V-K
4	Plugs	EPDM	KL34AAK
		FPM	KL34AAL
		FEP	KL34AAM
5	Upper holder	-	
*9	Impeller 1SV A316	150703602	
13	Seal housing disc	150102922	
14	Pump body	151302362	-> 1-3-5SV V-P
15	Diffuser	152803112	
16	Last stage diffuser	162801722	
17	First stage box	152802912	
*21	OR	EPDM	KL02AA1
		FPM	KL02AA2
		FEP	KL02AA3
24	Motor flange	-	
25	Kit oval flange OR EPDM	-	
	Kit oval flange OR FPM	-	
30	Bush seal kit	KL41AA3	

Service kit

-	Pump stack 1SVN EPDM	TbD	TbD	TbD	TbD	TbD	TbD
---	----------------------	-----	-----	-----	-----	-----	-----

TbD: Part Number To be Defined

* Recommended spare parts - Parti di ricambio consigliate

* Pièces détachées conseillées - Empfohlene Ersatzteile

** Motor spare parts: see motor lists - Parti di ricambio motore: vedi liste motore

** Pièces détachées Moteur : voir listes moteur - Motor-Ersatzteile: gem. Motorlisten

1-22SVP_6_Sept10_EdF

3SV P 2 Pole 60Hz

Production date >Sept 2010

ELP 2 P 60							
P Version	3SV12P0226	3SV13P0226	3SV14P0226	3SV15P0306	3SV17P0306	3SV19P0306	3SV21P0406
M ~ >							
T ~ >	1016L513A	1016L514A	1016L515A	1016L516A	1016L518A	1016L520A	1016L522A

Single Unit and Kit

10	Sleeve PN40 A316	156502582	156502602	156502612	156502622	156502662	156502692	156502722
11	Shaft A316	165050202B	165050222B	165050232B	165050242B	165050282B	165050312B	165050342B
31	Tie rods SVN kit	KL22ACT	KL22AN9	KL22APA	KL22APB	KL22ACW	KL22AQB	KL22APF

Motor, Coupling, Motor adaptor

Motor power kW >	2,2	2,2	2,2	3,0	3,0	3,0	4,0
------------------	-----	-----	-----	-----	-----	-----	-----

**1	kW >	2,2	3,0	4,0
	Motor 2P, 1 ~ >			
	Motor 2P, 3 ~ >	50001PD00	50002PF00	50008PG00
2	Adaptor	161470740	161470760	161470760
23	Lifting bracket	-	-	-
26	Coupling	KL10ABE	KL10ABF	KL10ABK
27	Coupling guard	KL33AAP	KL33AAQ	KL33AAQ

Wear Parts kit

up to model (- >)	- > 3SV20	- > 3SV27	
*34	Wear parts	KL35AEY	KL35AEZ

Mechanical seal Kit : Mech seal D12 + sleeve OR

*20	Materials ->	Q1BEGG	KL01AD8	Std -> Seal Q1BEGG - OR EPDM Sleeve / Balanced PN40
		Q1Q1EGG	KL01AEB	
		Q1BVGG	KL01AEC	
		Q1Q1VGG	KL01AED	
		Q1CTGG	TBD	
		Q1Q1TGG	TBD	

Common, Single Unit and kit

3	Base	161431310	-> 1-3-5 SV N-V-K
4	Plugs	EPDM	KL34AAK
		FPM	KL34AAL
		FEP	KL34AAM
5	Upper holder	-	
*9	Impeller 3SV A316	150703612	
13	Seal housing disc	150102922	
14	Pump body	151302362	-> 1-3SV V-P
15	Diffuser	152803112	
16	Last stage diffuser	162801722	
17	First stage box	152802912	
*21	OR	EPDM	KL02AA1
		FPM	KL02AA2
		FEP	KL02AA3
24	Motor flange	-	
25	Kit oval flange OR EPDM	-	
	Kit oval flange OR FPM	-	
30	Bush seal kit	KL41AA3	

Service Kit

-	Pump stack 3SVN EPDM	TbD	TbD	TbD	TbD	TbD	TbD	TbD
---	----------------------	-----	-----	-----	-----	-----	-----	-----

TbD: Part Number To be Defined

* Recommended spare parts - Parti di ricambio consigliate

* Pièces détachées conseillées - Empfohlene Ersatzteile

** Motor spare parts: see motor lists - Parti di ricambio motore: vedi liste motore

** Pièces détachées Moteur : voir listes moteur - Motor-Ersatzteile: gem. Motorlisten

1-22SVP_6_Sept10_EdF

5SV P 2 Pole 60Hz

Production date >Sept 2010

ELP 2 P 60		5SV12P0306	5SV13P0406	5SV14P0406	5SV15P0406	5SV16P0406	5SV17P0556	5SV19P0556	5SV21P0556
P Version	M ->								
	T ->	1016L540A	1016L541A	1016L542A	1016L543A	1016L544A	1016L545A	1016L547A	1016L549A

Single Unit and Kit

10	Sleeve PN40 A316	156502632	156502652	156502672	156502692	156502712	156502732	156502772	156502812
11	Shaft A316	165050252B	165050272B	165050292B	165050312B	165050332B	165050352B	165050392B	165050432B
31	Tie rods SVN kit	KL22AP8	KL22AP9	KL22AQA	KL22AQB	KL22AQL	KL22AQC	KL22APH	KL22AQN

Motor, Coupling, Motor adaptor

Motor power kW >	3,0	4,0	4,0	4,0	4,0	5,5	5,5	5,5
**1 kW >	3,0	4,0	4,0	4,0	4,0	5,5	5,5	5,5
Motor 2P, 1 ~>								
Motor 2P, 3 ~>	50002PF00	50008PG00	50013PE00					
2 Adaptor	161470760	161470760	161470760					
23 Lifting bracket	-	-	161441050					
26 Coupling	KL10ABF	KL10ABK	KL10ABL					
27 Coupling guard	KL33AAQ	KL33AAQ	KL33AAQ					

Wear Parts kit

up to model (->)	-> 5SV22
	3 bearing
*34 Wear parts	KL35AE4

Mechanical seal Kit : Mech seal D12 + sleeve OR

*20	Materials ->	Q1BEGG	KL01AD8	Std -> Seal Q1BEGG - OR Sleeve EPDM / Balanced
		Q1Q1EGG	KL01AEB	
		Q1BVGG	KL01AEC	
		Q1Q1VGG	KL01AED	
		Q1CTGG	TBD	
		Q1Q1TGG	TBD	

Common, Single Unit and kit

3	Base	161431310	-> 1-3-5 SV N-V-K
4	Plugs	EPDM	KL34AAK
		FPM	KL34AAL
		FEP	KL34AAM
5	Upper holder	-	
*9	Impeller 5SV A316	150703622	
13	Seal housing disc	150102922	
14	Pump body	151302362	> 1-3-5 SV V-P
15	Diffuser	152803122	
16	Last stage diffuser	162801722	
17	First stage box	152802922	
*21	OR	EPDM	KL02AA1
		FPM	KL02AA2
		FEP	KL02AA3
24	Motor flange	161050700	1-3-5SV 5,5 kW
25	Kit oval flange OR EPDM	-	
	Kit oval flange OR FPM	-	
30	Bush seal kit	KL41AA3	

Service Kit

-	Pump stack 5SVN EPDM	TbD	TbD	TbD	TbD	TbD	TbD	TbD	TbD
---	----------------------	-----	-----	-----	-----	-----	-----	-----	-----

TbD: Part Number To be Defined

* Recommended spare parts - Parti di ricambio consigliate

* Pièces détachées conseillées - Empfohlene Ersatzteile

** Motor spare parts: see motor lists - Parti di ricambio motore: vedi liste motore

** Pièces détachées Moteur : voir listes moteur - Motor-Ersatzteile: gem. Motorlisten

1-22SVP_6_Sept10_EdF

10SV P 2 Pole 60Hz

ELP 2P 60					
P Version	10SV08P0556	10SV09P0756	10SV10P0756	10SV11P0756	10SV13P1106
M->					
T->	1016L563A	1016L564A	1016L565A	1016L566A	1016L568A

Single Unit and Kit

10	Sleeve PN40 A316	156503282	156503292	156503302	156503322	156503342
11	Shaft A316	165051102B	165051112B	165051122B	165051142B	165051162B
31	Tie rods SVN Kit	KL22AQ2	KL22AC9	KL22AQ4	KL22AQ6	KL22AQ8

Motor, Coupling, Motor Adaptor

Motor power kW >	5,5	7,5	7,5	7,5	11,0
**1 kW ->		4,0	5,5	7,5	11,0
Motor 2 P, 1->					
Motor 2 P, 3->		50008PG00	50013PE00	50017PB00	50019PE00
2 Adaptor		161470840	161470860	161470860	161470880
23 Lifting bracket		-	161441050	161441050	161441060
26 Coupling		KL10ABK	KL10ABZ	KL10ABZ	KL10AB0
27 Coupling guard		KL33AAT	KL33AAU	KL33AAU	KL33AAU

Wear Parts Kit

	->10SV16
up to model (->)	2 bearing
*34 Wear parts	KL35AE8

Mechanical seal Kit : Mech seal D16 + OR

*20	Materials->	Q1BEGG	KL01AD7	Std -> Seal Q1BEGG - OR EPDM / Balanced PN40
		Q1Q1EGG	KL01AD3	
		Q1BVGG	KL01AD2	
		Q1Q1VGG	KL01AD4	
		Q1CTGG	TBD	
		Q1Q1TGG	TBD	

Common, Single Unit and Kit

3	Base		161431350	-> 10SV V - P - K
4	Plugs	EPDM	KL34AAK	
		FPM	KL34AAL	
		FEP	KL34AAM	
5	Upper holder		-	Up to 4,0 kW included
			160103722	Over 5,5 kW
*9	Impeller10 SV A316		150703632	
13	Seal housing disc		150102942	Up to 4,0 kW included
			150102962	Over 5,5 kW
14	Pump body		151302492	-> 10SVV-P
15	Diffuser		152803132	
16	Last stage diffuser		152803032	
17	First stage box		152802932	
*21	OR	EPDM	KL02AA4	
		FPM	KL02AA5	
		FEP	KL02AA6	
24	Motor flange		-	
25	Kit oval flange OR EPDM		-	
			-	
30	Bush seal kit		KL41AA2	

Service Kit

-	Pump stack 10SVN EPDM	TbD	TbD	TbD	TbD	102883334
---	-----------------------	-----	-----	-----	-----	-----------

TbD: Part Number To be Defined

* Recommended spare parts - Parti di ricambio consigliate

* Pièces détachées conseillées - Emptionene Ersatzteile

** Motor spare parts: see motor lists - Parti di ricambio motore: vedi liste motore

** Pièces détachées Moteur : voir listes moteur - Motor-Ersatzteile: gem. Motorlisten

1-22SVP_6_Sept10_EdF

15SV P 2 Pole 60Hz

ELP 2P		15SV06P1106	15SV07P1106	15SV08P1506	15SV09P1506	15SV10P1506	15SV11P1856
P Version	M->						
	T->	1016L580A	1016L581A	1016L582A	1016L583A	1016L584A	1016L585A

Single Unit and Kit

10	Sleeve PN40 A316	156503292	156503312	156503332	156503352	156503372	156503392
11	Shaft A316	165051112B	165051132B	165051152B	165051172B	165051192B	165051212B
31	Tie rods SVN Kit	KL22AC9	KL22AQ5	KL22AQ7	KL22AQ9	KL22ARB	KL22ARD

Motor, Coupling, Motor Adaptor

Motor power kW >	11,0	11,0	15,0	15,0	15,0	18,5
------------------	------	------	------	------	------	------

**1	kW ->	11,0	15,0	18,5
	Motor 2 P, 1~>			
	Motor 2 P, 3 ~>	50019PE00	50024PB00	50025PB00
2	Adaptor	161470880	161470880	161470880
23	Lifting bracket	161441060	161441060	161441060
26	Coupling	KL10AB0	KL10AB0	KL10AB0
27	Coupling guard	KL33AAU	KL33AAU	KL33AAU

Wear Parts Kit

up to model (->)	->15SV11
*34	Wear parts

Mechanical seal Kit : Mech seal D16 + OR

*20	Materials->	Q1BEGG	KL01AD7	Std -> Seal Q1BEGG - OR EPDM / Balanced PN40
		Q1Q1EGG	KL01AD3	
		Q1BVGG	KL01AD2	
		Q1Q1VGG	KL01AD4	
		Q1CTGG	TBD	
		Q1Q1TGG	TBD	

Common, Single Unit and Kit

3	Base	161431350	-> 15-22SV
4	Plugs	EPDM	KL34AAK
		FPM	KL34AAL
		FEP	KL34AAM
5	Upper holder	-	Up to 4,0 kW included
		160103722	Over 5,5 kW
*9	Impeller 15SV A316	150703642	
13	Seal housing disc	150102942	Up to 4,0 kW included
	Seal housing disc	150102962	Over 5,5 kW
14	Pump body	151302492	-> 15SVV-P
15	Diffuser	152803152	
16	Last stage diffuser	152803052	
17	First stage box	152802952	
*21	OR	EPDM	KL02AA4
		FPM	KL02AA5
		FEP	KL02AA6
24	Motor flange	-	
25	Kit oval flange OR EPDM	-	
	Kit oval flange OR FPM	-	
30	Bush seal kit	KL41AA2	

Service Kit

-	Pump stack 15SVN EPDM	102883664	102883684	102883704	102883724	102883744	102883764
---	-----------------------	-----------	-----------	-----------	-----------	-----------	-----------

* Recommended spare parts - Parti di ricambio consigliate

* Pièces détachées conseillées - Empfohlene Ersatzteile

** Motor spare parts: see motor lists - Parti di ricambio motore: vedi liste motore

** Pièces détachées Moteur : voir listes moteur - Motor-Ersatzteile: gem. Motorlisten

22SV P 2 Pole 60Hz

ELP 2P 60						
P Version	22SV05P1106	22SV06P1106	22SV07P1506	22SV08P1506	22SV09P1856	22SV10P1856
M->						
T->	1016L595A	1016L596A	1016L597A	1016L598A	1016L599A	1016L600A

Single Unit and Kit

10	Sleeve PN40 A316	156503272	156503292	156503312	156503332	156503352	156503372
11	Shaft A316	165051092B	165051112B	165051132B	165051152B	165051172B	165051192B
31	Tie rods SVN Kit	KL22AQ1	KL22AC9	KL22AQ5	KL22AQ7	KL22AQ9	KL22ARB

Motor, Coupling, Motor Adaptor

Motor power kW >	11,0	11,0	15,0	15,0	18,5	18,5
------------------	------	------	------	------	------	------

**1	kW ->	11,0	15,0	18,5
	Motor 2 P, 1~>			
	Motor 2 P, 3~>	50019PE00	50024PB00	50025PB00
2	Adaptor	161470880	161470880	161470880
23	Lifting bracket	161441060	161441060	161441060
26	Coupling	KL10AB0	KL10AB0	KL10AB0
27	Coupling guard	KL33AAU	KL33AAU	KL33AAU

Wear Parts Kit

up to model (->)	->22SV11
*34	Wear parts

Mechanical seal Kit : Mech seal D16 + OR

*20	Materials->	Q1BEGG	KL01AD7	Std -> Seal Q1BEGG - OR EPDM / Balanced PN40
		Q1Q1EGG	KL01AD3	
		Q1BVGG	KL01AD2	
		Q1Q1VGG	KL01AD4	
		Q1CTGG	TBD	
		Q1Q1TGG	TBD	

Common, Single Unit and Kit

3	Base	161431350	-> 15-22SV
4	Plugs	EPDM	KL34AAK
		FPM	KL34AAL
		FEP	KL34AAM
5	Upper holder	-	Up to 4,0 kW included
		160103722	Over 5,5 kW
*9	Impeller 22SV A316	150703652	
13	Seal housing disc	150102942	Up to 4,0 kW included
	Seal housing disc	150102962	Over 5,5 kW
14	Pump body	151302492	-> 22SVV-P
15	Diffuser	152803152	
16	Last stage diffuser	152803052	
17	First stage box	152802952	
*21	OR	EPDM	KL02AA4
		FPM	KL02AA5
		FEP	KL02AA6
24	Motor flange	-	
25	Kit oval flange OR EPDM	-	
	Kit oval flange OR FPM	-	
30	Bush seal kit	KL41AA2	

Service Kit

-	Pump stack 22SVN EPDM	102884044	102884064	102884084	102884104	102884124	102884144
---	-----------------------	-----------	-----------	-----------	-----------	-----------	-----------

* Recommended spare parts - Parti di ricambio consigliate

* Pièces détachées conseillées - Empfohlene Ersatzteile

** Motor spare parts: see motor lists - Parti di ricambio motore: vedi liste motore

** Pièces détachées Moteur : voir listes moteur - Motor-Ersatzteile: gem. Motorlisten