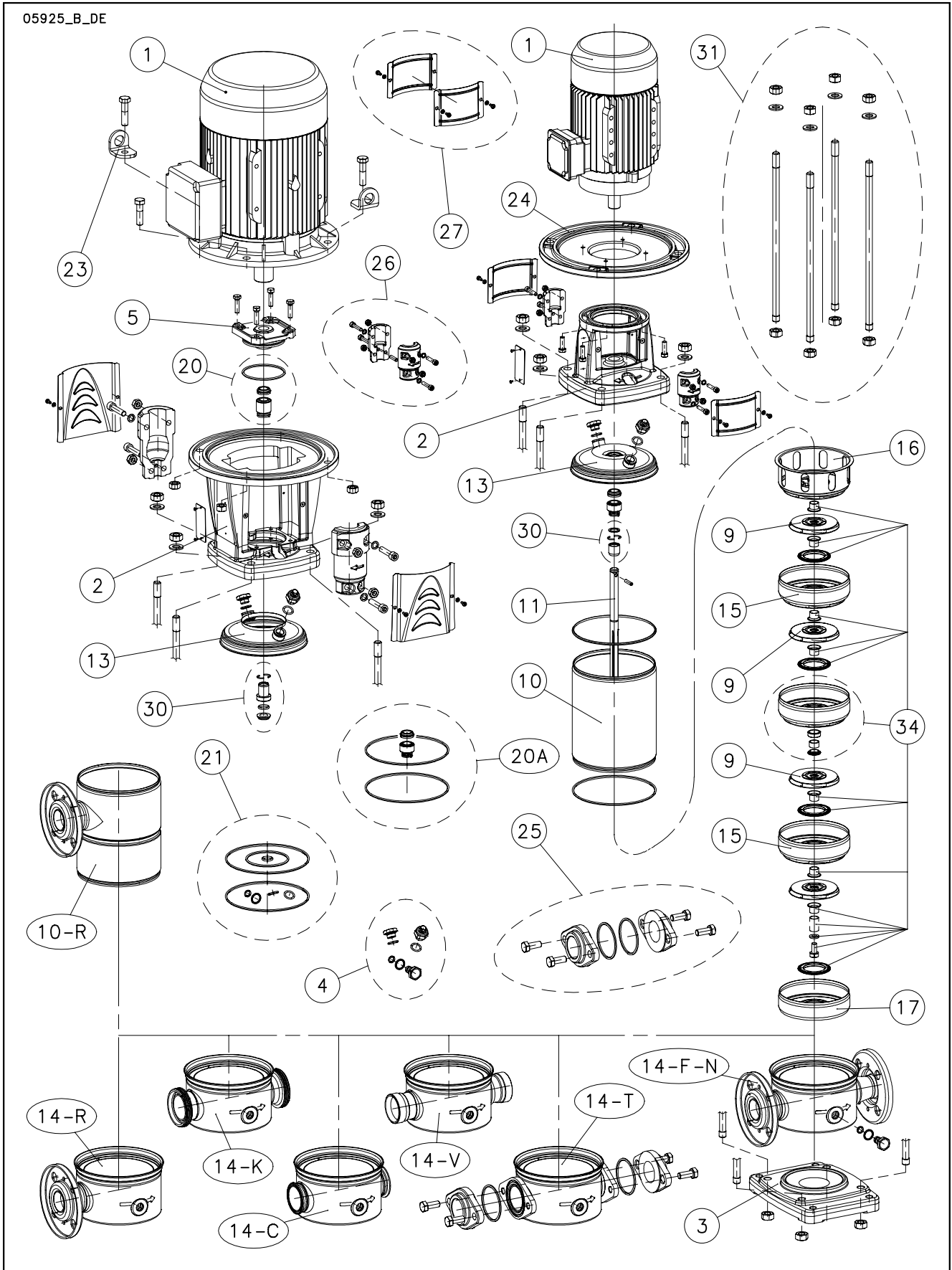


1, 3, 5, 10, 15, 22SV



Lowara and Vogel Pumpen are a trademark of Xylem Inc. or one of its subsidiaries. Goulds is a registered trademark of Goulds Pumps, Inc. and is used under license.

N.	Descrizione It	Description en	Description fr	Beschreibung de	Descripción es	Descrição pt
1	Motore	Motor	Moteur	Motor	Motor	Motor
2	Lanterna	Adaptor	Lanterne	Motorlanterne	Adaptador	Adaptador
3	Base	Basement	Base	Untersatz	Base	Base
4	Tappi	Plugs	Bouchons	Stopfen	Tapones	Tampões
5	Portatenuta superiore	Upper holder	Disque supérieure	Oberer dichtungsdeckel	Disco superior	Disco superior
9	Girante	Impeller	Roue	Laufrad	Rodete	Impulsor
10	Camicia	Sleeve	Chemise	Gehäuse	Camisa	Camisa
11	Albero	Shaft	Arbre	Welle	Árbol	Veio
13	Disco porta tenuta	Seal housing disc	Disque de garniture	Dichtungsdeckel	Disco de alojamiento sello	Disco porta-vedante
14	Corpo pompa	Pump body	Corps de pompe	Pumpengehäuse	Caja bomba	Corpo da bomba
15	Diffusore	Diffuser	Diffuseur	Diffusor	Difusor	Difusor
16	Diffusore finale	Last stage diffuser	Diffuseur dernier étage	Enddiffusor	Difusor final	Difusor final
17	Scatola stadio iniziale	Initial stage box	Box premier étage	Erste Stufe Diffusor	Caja etapa inicial	Carcaça primeira célula
20	Kit tenuta mecc. + OR	Mechanical seal + OR kit	Kit garniture méc. + joints toriques	Gleitringdichtung + O-Ring [Satz]	Kit sello mec. + junta tórica	Kit vedante mec. + OR
21	Kit guarnizioni OR	O ring kit	Kit joints toriques	Dichtungssatz	Kit juntas tóricas	Kit guarnições OR
23	Staffa sollevamento	Lifting bracket	Support de levage	Hebeösen	Soporte de elevación	Suporte de suspensão
24	Flangia motore	Motor flange	Bride moteur	Motorflansch	Brida motor	Flange motor
25	Kit controflangia ovale	O val counterflange kit	Kit contrebride ovale	Gegenflansch oval [Satz]	Kit contrafrida oval	Kit contraflange oval
26	Kit coppia di semigiunti	Pair of half coupling kit	Kit paire de demi-manchons	Kupplung [Satz]	Kit par de semijuntas	Kit par de semi-juntas
27	Kit protezione giunto	Coupling guard kit	Kit protection manchon	Kupplungsschutz [Satz]	Kit protección junta	Kit protecção junta
30	Kit bussola tenuta	Bush seal kit	Kit douille garniture	Gleitringdichtungsarretierung und mitnehmer	Kit casquillo sello	kit bucha vedante
31	Kit tiranti	Tie rods kit	Kit tirants	Zugstangen [Satz]	Kit tirantes	Kit tirantes
34	Kit parti di usura	Wear parts kit	Kit parties d'usure	Verschleißteile [Satz]	Kit piezas de desgaste	Kit peças desgastáveis
N.	Beschrijving nl	Περιγραφή el	Açıklama tr	Kuvaus fi	Описание ru	Opis pl
1	Motor	Πλήρης κινητήρας	Motor	Moottori	Двигатель	Silnik
2	Lantaarnstuk	Μπρακέτο	Adaptör	Sovitin	Крестовина	Piasta
3	Pompvoet	Βάση	Kaide	Perusta	Основание	Podstawa
4	Pluggen	Σετ ταπών	Tapalar	Tulpat	Пробки	Zatyczki
5	Bovenste plaat	Ανώτερος δίσκος	Üst disk	Ylempi levy	Верхний держатель дисков	Tarcza górna
9	Waaier	στροφέιο	Pompa rotoru	Juoksupyörä	рабочее колесо	Wirnik
10	Mantel	Κέλυφος	Gömlük	Muhvi	Муфта	Plaszcz
11	As	Άξονας	Mil	Akseli	Вал	Wał
13	Dichtingssteenplaat	Δίσκος μηχανικού στυπιοθλιπτή	Sızdırmazlık elemanı disk	Tiivsteen kannatuslevy	Пластина держателя прокладки	Tarcza uszczelki
14	Pomphuis	Σώμα αντλίας	Pompa gövdesi	Pumpun runko	Корпус насоса	Korpus pompy
15	Diffusor	Πτερύγιο εκτροπής	Difüzör	Diffusori	Диффузор	Dyfuzor
16	Diffusor laatste trap	Τελευταίο πτερύγιο εκτροπής	Son difüzör	Loppuvaiheen diffusori	Конечный диффузор	Dyfuzor końcowy
17	Kast eerste trap	Πρώτο πτερύγιο εκτροπής	İlk kademe kutusu	Ensivaiheen laatikko	Коробка начальной стадии	Skrzynka początkowego stadium
20	Set mech. asafdichting + O-ring	Μηχανικός στυπιοθλιπτής και ροδέλες στεγανοποίησης	Mekanik salmastra kiti + O-Ring	Mek. tiiviste + O-rengassarja	Комплект мех. прокладки + OR	Zestaw uszcz. mech. + OR
21	Set O-ringafdichtingen	Σετ ροδέλες στεγανοποίησης	O-Ring kiti	O-rengassarja	Комплект кольцевых прокладок OR	Zestaw uszczeliek OR
23	Hijs steun	Άρση αγκύλη	Dirsek Kaldırma	Nosto ylätuki	Подъемные кронштейн	Podnoszenia wspornik
24	Motorflens	Μπρακέτο κινητήρα	Motor flanş	Moottorin laippa	Фланец двигателя	Kolnierz silnika
25	Set ovale flenzen	Σετ Οβάλ φλάντζα	Oval flanş kiti	Soikeiden vastalajpojen sarja	Комплект Овальный фланец	Zestaw Kolnierz owalnych
26	Set koppelingshefften	Σετ σταθερού συνδέσμου	Çift yarım manşon kiti	Liitinsarja	Комплект пары полумуфт	Zestaw pary półzłączy
27	Set koppelingsbescherming	Καλύμματα προστασίας σταθερού συνδέσμου	Manşon koruma kiti	Liitoksen suojuussarja	Комплект защиты муфт	Zestaw ochrony złączy
30	Set afdichtingsbus	Σετ κουζινέτου μηχανικού στυπιοθλιπτή	Sızdırmazlık elemanı burcu kiti	Holkki ja tiiviste	Комплект втулки уплотнения	Zestaw busoli uszczel.
31	Set trekstangen	Σετ ράβδων σύνδεσης	Gergi çubuğu kiti	Vetotankosarja	Комплект тяг	Zestaw napinaczy
34	Set slijtonderdelen	Σετ δακτυλίων τριβής	Aşınma parçaları kiti	Kulumisiosien sarja	Комплект изнашиваемых частей	Zestaw części podl. zużyciu

1SV N 2 Pole 60Hz

Production date >Sept 2010

ELP 2 P 60Hz										
N Version	1SV02N0036	1SV03N0036	1SV04N0036	1SV05N0056	1SV06N0056	1SV07N0076	1SV08N0076	1SV09N0076	1SV10N0116	1SV11N0116
M ~>	1016L6064	1016L6074	1016L6084	1016L6094	1016L6104	1016L6114	1016L6124	1016L6134	1016L6144	1016L6154
T ~>	1016L4714	1016L4724	1016L4734	1016L4744	1016L4754	1016L4764	1016L4774	1016L4784	1016L4794	1016L4804
	1SV12N0116	1SV13N0116	1SV15N0156	1SV17N0156	1SV18N0226	1SV20N0226	1SV22N0226	1SV24N0226	1SV26N0226	1SV28N0306
M ~>	1016L6164	1016L6174	1016L6194	1016L6214	1016L6224	1016L6244	1016L6264	1016L6284	1016L6304	
T ~>	1016L4814	1016L4824	1016L4844	1016L4864	1016L4874	1016L4894	1016L4914	1016L4934	1016L4954	1016L4974

Single Unit and Kit

10	Sleeve N	166443042	166443042	166443062	166443072	166443082	166443102	166443122	166443142	166443152	166443162
		166443182	166443202	166443232	166443262	166443282	166443312	166443342	166443382	166443402	166443442
11	Shaft A316	165050042	165050042	165050062	165050072	165050082	165050102	165050122	165050142	165050152	165050162
		165050182	165050202	165050232	165050262	165050282	165050312	165050342	165050382	165050402	165050442
31	Tie rods SVN kit	KL22ANY	KL22ANY	KL22ANZ	KL22AN0	KL22AN1	KL22AN2	KL22ACP	KL22AN4	KL22AN5	KL22AN6
		KL22AN7	KL22ACT	KL22APA	KL22APC	KL22ACW	KL22AQB	KL22APF	KL22APU	KL22APV	KL22APW

Motor, Coupling, Motor adaptor

Motor power kW >	0,37	0,37	0,37	0,55	0,55	0,75	0,75	0,75	1,1	1,1
	1,1	1,1	1,5	1,5	2,2	2,2	2,2	2,2	2,2	3,0

**1	kW >	0,37	0,55	0,75	1,1	1,5	2,2	3,0
	Motor 2P, 1 ~>	107231020	107231040	107231100	107231120	107231140	50004FD00	
	Motor 2P, 3 ~>	107230060	107230080	107230153	107230173	50000PD00	50001PD00	50002PF00
2	Adaptor	161470700	161470700	161470720	161470720	161470740	161470740	161470760
23	Lifting bracket	-	-	-	-	-	-	-
26	Coupling	KL10ABC	KL10ABC	KL10ABD	KL10ABD	KL10ABE	KL10ABE	KL10ABF
27	Coupling guard	KL33AAM	KL33AAM	KL33AAN	KL33AAN	KL33AAP	KL33AAP	KL33AAQ

Wear Parts kit

up to model (->)	-> 1SV10	-> 1SV20	-> 1SV27	-> 1SV35
	1 bearing	2 bearing	3 bearing	4 bearing

*34	Wear parts	KL35AEX	KL35AEY	KL35AEZ	KL35AE0
-----	------------	---------	---------	---------	---------

Mechanical seal Kit : Mech seal D12 + sleeve OR

*20A	Materials ->	Q1BEGG	KL01AAD	Std -> Seal Q1BEGG - OR EPDM sleeve / Unbalanced
		Q1Q1EGG	KL01AC7	
		Q1BVGG	KL01AAG	
		Q1Q1VGG	KL01AC9	
		Q1CTGG	KL01ADB	
		Q1Q1TGG	KL01ADD	

Common, Single Unit and kit

3	Base	161431310	-> 1-3-5 SV N-V-K
4	Plugs	EPDM	KL34AAK
		FPM	KL34AAL
		FEP	KL34AAM
5	Upper holder	-	
*9	Impeller 1SV A316	150703602	
13	Seal housing disc	150102922	
14	Pump body	151302322	-> 1-3SVN
15	Diffuser	152803112	
16	Last stage diffuser	152803012	
17	First stage box	152802912	
*21	OR	EPDM	KL02AA1
		FPM	KL02AA2
		FEP	KL02AA3
24	Motor flange	-	
25	Kit oval flange OR EPDM	-	
	Kit oval flange OR FPM	-	
30	Impellers retainer	KL41AAZ	

* Recommended spare parts - Parti di ricambio consigliate

* Pièces détachées conseillées - Empfohlene Ersatzteile

** Motor spare parts: see motor lists - Parti di ricambio motore: vedi liste motore

** Pièces détachées Moteur : voir listes moteur - Motor-Ersatzteile: gem. Motorlisten

1-22SVN_6_Sept10_EdE

1SV N 4 Pole 60Hz

ELP 4 P, 3 ~, 60										
N Version T ->	1SV03N00246	1SV05N00246	1SV07N00246	1SV09N00246	1SV11N00246	1SV13N00246	1SV15N00246	1SV17N00246	1SV18N00246	1SV20N00246
	1016L6854	1016L6874	1016L6894	1016L6914	1016L6934	1016L6954	1016L6974	1016L6994	1016L7004	1016L7024
T ->	1SV22N00246	1SV24N00246	1SV26N00346	1SV28N00346						
	1016L7044	1016L7064	1016L7084	1016L7104						

Single Unit and Kit

10	Sleeve A316	166443042	166443072	166443102	166443142	166443162	166443202	166443232	166443262	166443282	166443312
		166443342	166443382	166443402	166443442						
11	Shaft A316	165050042	165050072	165050102	165050142	165050162	165050202	165050232	165050262	165050282	165050312
		165050342	165050382	165050402	165050442						
31	Tie rods SVN k	KL22ANY	KL22AN0	KL22AN2	KL22AN4	KL22AN6	KL22ACT	KL22APA	KL22APC	KL22ACW	KL22AQB
		KL22APF	KL22APU	KL22APV	KL22APW						

Motor, Coupling, Motor Adaptor

Motor power kW>	0,25	0,25	0,25	0,25	0,25	0,25	0,25	0,25	0,25	0,25
	0,25	0,25	0,37	0,37						

**1	kW >	0,25 kW	0,37 kW
	Motor 4P, 3 ~>	107230640	107230700
2	Adaptor	161470700	161470700
23	Lifting bracket	-	-
26	Coupling	KL10ABC	KL33AAM
27	Coupling guard	KL33AAM	KL10ABC

Wear Parts kit

up to model (->)	-> 1SV10	-> 1SV20	-> 1SV27	-> 1SV35
	1 bearing	2 bearing	3 bearing	4 bearing
*34 Wear parts	KL35AEX	KL35AEY	KL35AEZ	KL35AE0

Mechanical seal Kit : Mech seal D12 + sleeve OR

*20A	Materials ->	Q1BEGG	KL01AAD	Std -> Seal Q1BEGG - OR EPDM
		Q1Q1EGG	KL01AC7	
		Q1BVGG	KL01AAG	
		Q1Q1VGG	KL01AC9	
		Q1CTGG	KL01ADB	
		Q1Q1TGG	KL01ADD	

Common, Single Unit and kit

3	Base	161431310	-> 1-3-5SV N-V-K
4	Plugs	EPDM	KL34AAK
		FPM	KL34AAL
		FEP	KL34AAM
5	Upper holder	-	
*9	Impeller 1SV A316	150703602	
13	Seal housing disc	150102922	
14	Pump body	151302322	-> 1-3SVN
15	Diffuser	152803112	
16	Last stage diffuser	152803012	
17	First stage box	152802912	
*21	OR	EPDM	KL02AA1
		FPM	KL02AA2
		FEP	KL02AA3
24	Motor flange	-	
30	Impellers retainer	KL41AAZ	

Parts 1-3SV with less impellers

-> both SV el.pumps 2 - 4 Pole

	Spacer in place of impeller	162503832
	Diffuser box empty	162801612
	Last stage diffuser box empty	162801722

* Recommended spare parts - Parti di ricambio consigliate

* Pièces détachées conseillées - Empfohlene Ersatzteile

** Motor spare parts: see motor lists - Parti di ricambio motore: vedi liste motore

** Pièces détachées Moteur : voir listes moteur - Motor-Ersatzteile: gem. Motorlisten

3SV N 2 Pole 60Hz

Production date >Sept 2010

ELP 2 P 60Hz										
N Version	3SV02N0036	3SV03N0056	3SV04N0076	3SV05N0116	3SV06N0116	3SV07N0116	3SV08N0156	3SV09N0156	3SV10N0226	3SV11N0226
M ~>	1016L6364	1016L6374	1016L6384	1016L6394	1016L6404	1016L6414	1016L6424	1016L6434	1016L6444	1016L6454
T ~>	1016L5034	1016L5044	1016L5054	1016L5064	1016L5074	1016L5084	1016L5094	1016L5104	1016L5114	1016L5124
	3SV12N0226	3SV13N0226	3SV14N0226	3SV15N0306	3SV17N0306	3SV19N0306	3SV21N0406	3SV23N0406		
M ~>	1016L6464	1016L6474	1016L6484							
T ~>	1016L5134	1016L5144	1016L5154	1016L5164	1016L5184	1016L5204	1016L5224	1016L5244		

Single Unit and Kit

10	Sleeve A316	166443042	166443042	166443062	166443072	166443082	166443102	166443122	166443142	166443152	166443162
		166443182	166443202	166443222	166443232	166443262	166443302	166443322	166443362		
11	Shaft A316	165050042	165050042	165050062	165050072	165050082	165050102	165050122	165050142	165050152	165050162
		165050182	165050202	165050222	165050232	165050262	165050302	165050322	165050362		
31	Tie rods SVN kit	KL22ANY	KL22ANY	KL22ANZ	KL22AN0	KL22AN1	KL22AN2	KL22ACP	KL22AN4	KL22AN5	KL22AN6
		KL22AN7	KL22ACT	KL22AN9	KL22APA	KL22APC	KL22APD	KL22APE	KL22APG		

Motor, Coupling, Motor adaptor

Motor power kW >	0,37	0,55	0,75	1,1	1,1	1,1	1,5	1,5	2,2	2,2
	2,2	2,2	2,2	3,0	3,0	3,0	4,0	4,0		

**1	kW >	0,37	0,55	0,75	1,1	1,5	2,2	3,0	4,0
	Motor 2P, 1 ->	107231020	107231040	107231100	107231120	107231140	50004FD00	50002PF00	50008PG00
	Motor 2P, 3 ->	107230060	107230080	107230153	107230173	50000PD00	50001PD00	50002PF00	50008PG00
2	Adaptor	161470700	161470700	161470720	161470720	161470740	161470740	161470760	161470760
23	Lifting bracket	-	-	-	-	-	-	-	-
26	Coupling	KL10ABC	KL10ABC	KL10ABD	KL10ABD	KL10ABE	KL10ABE	KL10ABF	KL10ABK
27	Coupling guard	KL33AAM	KL33AAM	KL33AAN	KL33AAN	KL33AAP	KL33AAP	KL33AAQ	KL33AAQ

Wear Parts kit

up to model (->)	-> 3SV10	-> 3SV20	-> 3SV27	
*34	Wear parts	1 bearing	2 bearing	3 bearing
		KL35AEX	KL35AEY	KL35AEZ

Mechanical seal Kit : Mech seal D12 + sleeve OR

*20A	Materials ->	Q1BEGG	KL01AAD	Std -> Seal Q1BEGG - OR EPDM Sleeve / Unbalanced
		Q1Q1EGG	KL01AC7	
		Q1BVGG	KL01AAG	
		Q1Q1VGG	KL01AC9	
		Q1CTGG	KL01ADB	
		Q1Q1TGG	KL01ADD	

Common, Single Unit and kit

3	Base	161431310	-> 1-3-5 SV N-V-K
4	Plugs	EPDM	KL34AAK
		FPM	KL34AAL
		FEP	KL34AAM
5	Upper holder	-	
*9	Impeller 3SV A316	150703612	
13	Seal housing disc	150102922	
14	Pump body	151302322	-> 1-3SV N
15	Diffuser	152803112	
16	Last stage diffuser	152803012	
17	First stage box	152802912	
*21	OR	EPDM	KL02AA1
		FPM	KL02AA2
		FEP	KL02AA3
24	Motor flange	-	
25	Kit oval flange OR EPDM	-	
	Kit oval flange OR FPM	-	
30	Impellers retainer	KL41AAZ	

* Recommended spare parts - Parti di ricambio consigliate

* Pièces détachées conseillées - Empfohlene Ersatzteile

** Motor spare parts: see motor lists - Parti di ricambio motore: vedi liste motore

** Pièces détachées Moteur : voir listes moteur - Motor-Ersatzteile: gem. Motorlisten

1-22SVN_6_Sep10_EdF

3SV N 4 Pole

ELP 4 P, 3 ~, 60									
N Version T ->	3SV02N00246	3SV04N00246	3SV06N00246	3SV08N00246	3SV10N00246	3SV12N00246	3SV14N00346	3SV15N00346	3SV17N00346T
	1016L7164	1016L7184	1016L7204	1016L7224	1016L7244	1016L7264	1016L7284	1016L7294	1016L7314
	3SV19N00346	3SV21N00546	3SV23N00546						
	1016L7334	1016L7354	1016L7374						

Single Unit and Kit

10	Sleeve A316	166443042	166443062	166443082	166443122	166443152	166443182	166443222	166443262
		166443302	166443322	166443362					
11	Shaft A316	165050042	165050062	165050082	165050122	165050152	165050182	165050222	165050262
		165050302	165050322	165050362					
31	Tie rods SVN	KL22ANY	KL22ANZ	KL22AN1	KL22ACP	KL22AN5	KL22AN7	KL22AN9	KL22APA
		KL22APD	KL22APE	KL22APG					

Motor, Coupling, Motor Adaptor

Motor power kW->	0,25	0,25	0,25	0,25	0,25	0,25	0,37	0,37	0,37
	0,37	0,55	0,55						

**1	kW >	0,25	0,37	0,55
	Motor 4P, 3 ->	107230640	107230700	107230760
2	Adaptor	161470700	161470700	161470700
23	Lifting bracket	-	-	-
27	Coupling guard	KL33AAM	KL33AAM	KL33AAM
26	Coupling	KL10ABC	KL10ABC	KL10ABC

Wear Parts kit

up to model (->)	-> 3SV10	-> 3SV20	-> 3SV27	
*34	Wear parts	KL35AEX	KL35AEY	KL35AEZ

Mechanical seal Kit : Mech seal D12 + sleeve OR

*20A	Materials ->	Q1BEGG	KL01AAD	Std -> Seal Q1BEGG - OR EPDM
		Q1Q1EGG	KL01AC7	
		Q1BVGG	KL01AAG	
		Q1Q1VGG	KL01AC9	
		Q1CTGG	KL01ADB	
		Q1Q1TGG	KL01ADD	

Common, Single Unit and kit

3	Base	161431310	-> 1-3-5SV N-V-K
4	Plugs	EPDM	KL34AAK
		FPM	KL34AAL
		FEP	KL34AAM
5	Upper holder	-	
*9	Impeller SVF 3SV A316	150703612	
13	Seal housing disc	150102922	
14	Pump body	151302322	-> 1-3SV N
15	Diffuser	152803112	
16	Last stage diffuser	152803012	
17	First stage box	152802912	
*21	OR	EPDM	KL02AA1
		FPM	KL02AA2
		FEP	KL02AA3
24	Motor flange	-	
30	Impellers retainer	KL41AAZ	

Parts 1-3SV with less impellers

-> both SV el.pumps 2 - 4 Pole

	Spacer in place of impeller	162503832
	Diffuser box empty	162801612
	Last stage diffuser box empty	162801722

* Recommended spare parts - Parti di ricambio consigliate

* Pièces détachées conseillées - Empfohlene Ersatzteile

** Motor spare parts: see motor lists - Parti di ricambio motore: vedi liste motore

** Pièces détachées Moteur : voir listes moteur - Motor-Ersatzteile: gem. Motorlisten

1-22SVN_6_Sept10_EdF

5SV N 2 Pole 60Hz

ELP 2 P 60		5SV02N0056	5SV03N0076	5SV04N0116	5SV05N0156	5SV06N0156	5SV07N0226	5SV08N0226	5SV09N0226	5SV10N0306	5SV11N0306
N Version	M ~>	1016L6544	1016L6554	1016L6564	1016L6574	1016L6584	1016L6594	1016L6604	1016L6614		
	T ~>	1016L5304	1016L5314	1016L5324	1016L5334	1016L5344	1016L5354	1016L5364	1016L5374	1016L5384	1016L5394
M ~>		5SV12N0306	5SV13N0406	5SV14N0406	5SV15N0406	5SV16N0406	5SV17N0556	5SV19N0556	5SV21N0556	5SV23N0556	
	T ~>	1016L5404	1016L5414	1016L5424	1016L5434	1016L5444	1016L5454	1016L5474	1016L5494	1016L5514	

Single Unit and Kit

10	Sleeve A316	166443032	166443052	166443072	166443092	166443112	166443132	166443152	166443172	166443192	166443212
		166443232	166443252	166443272	166443292	166443312	166443332	166443352	166443372	166443392	166443412
11	Shaft A316	165050032	165050052	165050072	165050092	165050112	165050132	165050152	165050172	165050192	165050212
		165050232	165050252	165050272	165050292	165050312	165050332	165050352	165050372	165050392	165050412
31	Tie rods SVN kit	KL22AP0	KL22AP1	KL22AN0	KL22AP2	KL22AP3	KL22AP4	KL22AN5	KL22AP5	KL22AP6	KL22AP7
		KL22APA	KL22AP8	KL22AP9	KL22AQA	KL22AQB	KL22AQL	KL22AQM	KL22AQD	KL22AQE	

Motor, Coupling, Motor adaptor

Motor power kW >	0,55	0,75	1,1	1,5	1,5	2,2	2,2	2,2	3,0	3,0
	3,0	4,0	4,0	4,0	4,0	5,5	5,5	5,5	5,5	5,5

**1	kW >	0,37	0,55	0,75	1,1	1,5	2,2	3,0	4,0	5,5
	Motor 2P, 1 ~>	107231020	107231040	107231100	107231120	107231140	50004FD00			
	Motor 2P, 3 ~>	107230060	107230080	107230153	107230173	50000PD00	50001PD00	50002PF00	50008PG00	50013PE00
2	Adaptor	161470700	161470700	161470720	161470720	161470740	161470740	161470760	161470760	161470760
23	Lifting bracket	-	-	-	-	-	-	-	-	161441050
26	Coupling	KL10ABC	KL10ABC	KL10ABD	KL10ABD	KL10ABE	KL10ABE	KL10ABF	KL10ABK	KL10ABL
27	Coupling guard	KL33AAM	KL33AAM	KL33AAN	KL33AAN	KL33AAP	KL33AAP	KL33AAQ	KL33AAQ	KL33AAQ

Wear Parts kit

up to model (->)	-> 5SV08	-> 5SV16	-> 5SV22	-> 5SV28	
*34	Wear parts	KL35AE2	KL35AE3	KL35AE4	KL35AE5

Mechanical seal Kit : Mech seal D12 + sleeve OR

*20A	Materials ->	Q1BEGG	KL01AAD	Std -> Seal Q1BEGG - OR Sleeve EPDM / Unbalanced
		Q1Q1EGG	KL01AC7	
		Q1BVGG	KL01AAG	
		Q1Q1VGG	KL01AC9	
		Q1CTGG	KL01ADB	
		Q1Q1TGG	KL01ADD	

Common, Single Unit and kit

3	Base	161431310	-> 1-3-5 SV N-V-K
4	Plugs	EPDM	KL34AAK
		FPM	KL34AAL
		FEP	KL34AAM
5	Upper holder	-	
*9	Impeller 5SV A316	150703622	
13	Seal housing disc	150102922	
14	Pump body	151302402	-> 5SV N
15	Diffuser	152803122	
16	Last stage diffuser	152803022	
17	First stage box	152802922	
*21	OR	EPDM	KL02AA1
		FPM	KL02AA2
		FEP	KL02AA3
24	Motor flange	161050700	1-3-5SV 5,5 kW
25	Kit oval flange OR EPDM	-	
	Kit oval flange OR FPM	-	
30	Impellers retainer	KL41AAZ	

* Recommended spare parts - Parti di ricambio consigliate

* Pièces détachées conseillées - Empfohlene Ersatzteile

** Motor spare parts: see motor lists - Parti di ricambio motore: vedi liste motore

** Pièces détachées Moteur : voir listes moteur - Motor-Ersatzteile: gem. Motorlisten

5SV N 4 Pole 60Hz

ELP 2 P 60											
N Version	5SV03N00246	5SV05N00246	5SV07N00246	5SV09N00346	5SV11N00346	5SV13N00546	5SV15N00546	5SV17N00546	5SV19N00746	5SV21N00746	
T ~>	1016L7444	1016L7464	1016L7484	1016L7504	1016L7524	1016L7544	1016L7564	1016L7584	1016L7604	1016L7624	
	5SV23N00746										
T ~>	1016L7644										

Single Unit and Kit

10	Sleeve A316	166443052 166443450	166443092	166443132	166443172	166443212	166443252	166443292	166443332	166443372	166443412
11	Shaft A316	165050052 165050450	165050092	165050132	165050172	165050212	165050252	165050292	165050332	165050372	165050412
31	Tie rods SVN	KL22AP1 KL22AMN	KL22AP2	KL22AP4	KL22AP5	KL22AP7	KL22AP8	KL22AQA	KL22AQL	KL22AQM	KL22AQD

Motor, Coupling, Motor adaptor

Motor power	0,25	0,25	0,25	0,37	0,37	0,55	0,55	0,55	0,75	0,75
	0,75									

**1	kW >	0,25 kW	0,37 kW	0,55 kW	0,75 kW
	Motor 4P, 3 ~>	107230640	107230700	107230760	107230820
2	Adaptor	161470700	161470700	161470700	161470720
23	Lifting bracket	-	-	-	-
27	Coupling guard	KL33AAM	KL33AAM	KL33AAM	KL33AAN
26	Coupling	KL10ABC	KL10ABC	KL10ABC	KL10ABD

Wear Parts kit

up to model (->)	-> 5SV08	-> 5SV16	-> 5SV22	-> 5SV28
	1 bearing	2 bearing	3 bearing	4 bearing
*34 Wear parts incl. OR, EPDM	KL35AE2	KL35AE3	KL35AE4	KL35AE5

Mechanical seal Kit : Mech seal D12 + sleeve OR

*20A	Materials ->	Q1BEGG	KL01AAD	Std -> Seal Q1BEGG - OR EPDM
		Q1Q1EGG	KL01AC7	
		Q1BVGG	KL01AAG	
		Q1Q1VGG	KL01AC9	
		Q1CTGG	KL01ADB	
		Q1Q1TGG	KL01ADD	

Common, Single Unit and kit

3	Base	161431310	-> 1-3-5SV N
4	Plugs	EPDM	KL34AAK
		FPM	KL34AAL
		FEP	KL34AAM
5	Upper holder	-	
*9	Impeller 5SV A316	150703622	
13	Seal housing disc	150102922	
14	Pump body	151302402	-> 5SVN
15	Diffuser	152803122	
16	Last stage diffuser	152803022	
17	First stage box	152802922	
*21	OR	EPDM	KL02AA1
		FPM	KL02AA2
		FEP	KL02AA3
24	Motor flange	-	
30	Impellers retainer	KL41AAZ	

Parts 5SV with less impellers

-> both SV el.pumps 2 - 4 Pole

	Spacer in place of impeller	162503842
	Diffuser box empty	162801622
	Last stage diffuser box empty	162801722

* Recommended spare parts - Parti di ricambio consigliate

* Pièces détachées conseillées - Empfohlene Ersatzteile

** Motor spare parts: see motor lists - Parti di ricambio motore: vedi liste motore

** Pièces détachées Moteur : voir listes moteur - Motor-Ersatzteile: gem. Motorlisten

10SVN 2 Pole 60Hz

ELP 2P 60		10SV01N0076	10SV02N0156	10SV03N0226	10SV04N0306	10SV05N0406	10SV06N0406	10SV07N0556	10SV08N0556	10SV09N0756	10SV10N0756
N Version											
M->		1016L6664	1016L6674	1016L6684							
T->		1016L5564	1016L5574	1016L5584	1016L5594	1016L5604	1016L5614	1016L5624	1016L5634	1016L5644	1016L5654
		10SV11N0756	10SV13N1106	10SV15N1106							
M->											
T->		1016L5664	1016L5684	1016L5704							

Single Unit and Kit											
10	Sleeve A316	166444022	166444022	166444032	166444042	166444062	166444072	166444082	166444102	166444112	166444122
		166444142	166444162	166444192							
11	Shaft A316	165051022	165051022	165051032	165051042	165051062	165051072	165051082	165051102	165051112	165051122
		165051142	165051162B	165051192B							
31	Tie rods SVN Kit	KL22AQU	KL22AQU	KL22AC4	KL22AQW	KL22AQY	KL22AQZ	KL22AQ0	KL22AQ2	KL22AC9	KL22AQ4
		KL22AQ6	KL22AQ8	KL22ARB							

Motor, Coupling, Motor Adaptor											
	Motor power kW >	0,75	1,5	2,2	3,0	4,0	4,0	5,5	5,5	7,5	7,5
		7,5	11,0	11,0							

**1	kW ->	0,75	1,5	2,2	3,0	4,0	5,5	7,5	11,0
	Motor 2 P, 1->	107231100	107231140	50004FD00					
	Motor 2 P, 3->	107230153	5000PD00	50001PD00	50002PF00	50008PG00	50013PE00	50017PB00	50019PE00
2	Adaptor	161470800	161470820	161470820	161470840	161470840	161470860	161470860	161470880
23	Lifting bracket	-	-	-	-	-	161441050	161441050	161441060
26	Coupling	KL10ABG	KL10ABH	KL10ABH	KL10ABK	KL10ABK	KL10ABZ	KL10ABZ	KL10AB0
27	Coupling guard	KL33AAR	KL33AAS	KL33AAS	KL33AAT	KL33AAT	KL33AAU	KL33AAU	KL33AAU

Wear Parts Kit			
		->10SV09	->10SV16
up to model (->)		1 bearing	2 bearing
*34 Wear parts		KL35AE7	KL35AE8

Mechanical seal Kit : Mech seal D16 + OR				
*20A	Materials->	Q1BEGG	KL01AAE	Std -> Seal Q1BEGG - sleeve OR EPDM / Unbalanced : 10-15-22SV < / = 4 kW
		Q1Q1EGG	KL01AC8	
		Q1BVGG	KL01AAH	
		Q1Q1VGG	KL01ADA	
		Q1CTGG	KL01ADC	
		Q1Q1TGG	KL01ADE	
*20	Materials->	Q1BEGG	KL01AD7	Std -> Seal Q1BEGG - upper holder OR EPDM / Balanced : 10-15-22SV = / > 5,5 kW
		Q1Q1EGG	KL01AD3	
		Q1BVGG	KL01AD2	
		Q1Q1VGG	KL01AD4	
		Q1CTGG	KL01AD9	
		Q1Q1TGG	KL01AEA	

Common, Single Unit and Kit			
3	Base	161431330	-> 10SV N - C
4	Plugs	EPDM	KL34AAK
		FPM	KL34AAL
		FEP	KL34AAM
5	Upper holder	-	Up to 4,0 kW included
		160103722	Over 5,5 kW
		160103742	Part holed for tap
*9	Impeller 10 SV A316	150703632	
13	Seal housing disc	150102942	Up to 4,0 kW included
		150102962	Over 5,5 kW
14	Pump body	151302452	-> 10SVN PN 40
15	Diffuser	152803132	
16	Last stage diffuser	152803032	
17	First stage box	152802932	
*21	OR	EPDM	KL02AA4
		FPM	KL02AA5
		FEP	KL02AA6
24	Motor flange	-	
25	Kit oval flange OR EPDM	-	
	Kit oval flange OR FPM	-	
30	Impellers retainer	KL41AA0	Unbalanced : 10-15-22SV < / = 4 kW
30	Bush seal kit	KL41AA2	Balanced : 10-15-22SV = / > 5,5 kW

* Recommended spare parts - Parti di ricambio consigliate

* Pieces detachées conseillées - Emprioniene Ersatzteile

** Motor spare parts: see motor lists - Parti di ricambio motore: vedi liste motore

** Pièces détachées Moteur : voir listes moteur - Motor-Ersatzteile: gem. Motorlister

10SVN 4 Pole 60Hz

ELP 4P, 3 ~, 60							
Version N	10SV03N0054	10SV05N0054	10SV07N0074	10SV09N0074	10SV11N0114	10SV13N0114	10SV15N0154
T ->	1016L7714	1016L7734	1016L7754	1016L7774	1016L7794	1016L7814	1016L7834

Single Unit and Kit

10	Sleeve A316	166444032	166444062	166444082	166444112	166444142	166444162	166444192
11	Shaft A316	165051032	165051062	165051082	165051112	165051142	165051162	165051192
31	Tie rods SVN Kit	KL22AC4	KL22AQY	KL22AQ0	KL22AC9	KL22AQ6	KL22AQ8	KL22ARB

Motor, Coupling, Motor Adaptor

Mot.power, kW >	0,55	0,55	0,75	0,75	1,1	1,1	1,5
-----------------	------	------	------	------	-----	-----	-----

**1	kW >	0,55	0,75	1,1	1,5
	Motor 4P ->	107230760	107230820	50005RD00	50006RD00
2	Adaptor	161470800	161470800	161470820	161470820
23	Lifting bracket	-	-	-	-
26	Coupling	KL10ABG	KL10ABG	KL10ABH	KL10ABH
27	Coupling guard	KL33AAR	KL33AAR	KL33AAS	KL33AAS

Wear Parts Kit

	->10SV09	->10SV16
up to model (->)	1 bearing	2 bearing
*34 Wear parts	KL35AE7	KL35AE8

Mechanical seal Kit : Mech seal D16 + OR

*20A	Materials->	Q1BEGG	KL01AAE	Std -> Seal Q1BEGG - sleeve OR EPDM / Unbalanced : 10-15-22SV </ = 4 kW
		Q1Q1EGG	KL01AC8	
		Q1BVGG	KL01AAH	
		Q1Q1VGG	KL01ADA	
		Q1CTGG	KL01ADC	
		Q1Q1TGG	KL01ADE	

Common, Single Unit and Kit

3	Base	161431330	-> 10SV
4	Plugs	EPDM	KL34AAK
		FPM	KL34AAL
		FEP	KL34AAM
5	Upper holder	-	
*9	Impeller10 SV A316	150703632	
13	Seal housing disc	150102942	
14	Pump body	151302452	
15	Diffuser	152803132	
16	Last stage diffuser	152803032	
17	First stage box	152802932	
*21	OR	EPDM	KL02AA4
		FPM	KL02AA5
		FEP	KL02AA6
24	Motor flange	-	
30	Impellers retainer	KL41AA0	

Parts 10SV with less impellers

-> both SV el.pumps 2 - 4 Pole

	Spacer in place of impeller	162503852
	Diffuser box empty	162801632
	Last stage diffuser box empty	162801752

* Recommended spare parts - Parti di ricambio consigliate

* Pièces détachées conseillées - Empfohlene Ersatzteile

** Motor spare parts: see motor lists - Parti di ricambio motore: vedi liste motore

** Pièces détachées Moteur : voir listes moteur - Motor-Ersatzteile: gem. Motorlisten

15SVN 2 Pole 60Hz

ELP 2P 60										
N Version	15SV01N0156	15SV02N0306	15SV03N0406	15SV04N0556	15SV05N0756	15SV06N1106	15SV07N1106	15SV08N1506	15SV09N1506	15SV10N1506
M->	1016L6734									
T->	1016L5754	1016L5764	1016L5774	1016L5784	1016L5794	1016L5804	1016L5814	1016L5824	1016L5834	1016L5844
	15SV11N1856	15SV12N1856								
M->										
T->	1016L5854	1016L5864								

Single Unit and Kit

10	Sleeve A316	166444032	166444032	166444052	166444072	166444092	166444112	166444132	166444152	166444172	166444192
		166444212	166444232								
11	Shaft A316	165051032	165051032	165051052	165051072	165051092	165051112B	165051132B	165051152B	165051172B	165051192B
		165051212B	165051232B								
31	Tie rods SVN	KL22AC4	KL22AC4	KL22AQX	KL22AQZ	KL22AQ1	KL22AQ3	KL22AQ5	KL22AQ7	KL22AQ9	KL22ARB
		KL22ARD	KL22ARF								

Motor, Coupling, Motor Adaptor

Motor power kW >	1,5	3,0	4,0	5,5	7,5	11,0	11,0	15,0	15,0	15,0
	18,5	18,5								

**1	kW ->	1,5	3,0	4,0	5,5	7,5	11,0	15,0	18,5
	Motor 2 P, 1- >	107231140							
	Motor 2 P, 3 ->	50000PD00	50002PF00	50008PG00	50013PE00	50017PB00	50019PE00	50024PB00	50025PB00
2	Adaptor	161470800	161470840	161470840	161470860	161470860	161470880	161470880	161470880
23	Lifting bracket	-	-	-	161441050	161441050	161441060	161441060	161441060
26	Coupling	KL10ABG	KL10ABK	KL10ABK	KL10ABZ	KL10ABZ	KL10AB0	KL10AB0	KL10AB0
27	Coupling guard	KL33AAR	KL33AAT	KL33AAT	KL33AAU	KL33AAU	KL33AAU	KL33AAU	KL33AAU

Wear Parts Kit

up to model (- >)	->15SV06	->15SV11	->15SV17	
*34	Wear parts	KL35AFA	KL35AFB	KL35AFC

Mechanical seal Kit : Mech seal D16 + OR

*20A	Materials->	Q1BEGG	KL01AAE	Std -> Seal Q1BEGG - sleeve OR EPDM / Unbalanced : 10-15-22SV < / = 4 kW
		Q1Q1EGG	KL01AC8	
		Q1BVGG	KL01AAH	
		Q1Q1VGG	KL01ADA	
		Q1CTGG	KL01ADC	
		Q1Q1TGG	KL01ADE	
*20	Materials->	Q1BEGG	KL01AD7	Std -> Seal Q1BEGG - upper holder OR EPDM / Balanced : 10-15-22SV = / > 5,5 kW
		Q1Q1EGG	KL01AD3	
		Q1BVGG	KL01AD2	
		Q1Q1VGG	KL01AD4	
		Q1CTGG	KL01AD9	
		Q1Q1TGG	KL01AEA	

Common, Single Unit and Kit

3	Base	161431350	-> 15-22SV
4	Plugs	EPDM	KL34AAK
		FPM	KL34AAL
		FEP	KL34AAM
5	Upper holder	-	Up to 4,0 kW included
		160103722	Over 5,5 kW
		160103742	Part holed for tap
*9	Impeller 15SV A316	150703642	
13	Seal housing disc	150102942	Up to 4,0 kW included
		150102962	Over 5,5 kW
14	Pump body	151302602	-> 15SVN DN40
15	Diffuser	152803152	
16	Last stage diffuser	152803052	
17	First stage box	152802952	
*21	OR	EPDM	KL02AA4
		FPM	KL02AA5
		FEP	KL02AA6
24	Motor flange	-	
25	Kit oval flange OR EPDM	-	
	Kit oval flange OR FPM	-	
30	Impellers retainer	KL41AA0	Unbalanced : 10-15-22SV < / = 4 kW
30	Bush seal kit	KL41AA2	Balanced : 10-15-22SV = / > 5,5 kW

* Recommended spare parts - Parti di ricambio consigliate

* Pièces détachées conseillées - Empfohlene Ersatzteile

** Motor spare parts: see motor lists - Parti di ricambio motore: vedi liste motore

** Pièces détachées Moteur : voir listes moteur - Motor-Ersatzteile: gem. Motorlisten

15SVN 4 Pole 60Hz

ELP 4P, 3 ~, 60							
N Version T ->	15SV03N0054	15SV04N0074	15SV05N0114	15SV06N0114	15SV07N0154	15SV09N0224	15SV11N02246
	1016L7904	1016L7914	1016L7924	1016L7934	1016L7944	1016L7964	1016L7984
	15SV12N02246						
	1016L7994						

Single Unit and Kit

10	Sleeve A316	166444052	166444072	166444092	166444112	166444132	166444172	166444212
		166444232						
11	Shaft A316	165051052	165051072	165051092	165051112	165051132	165051172	165051212
		165051232						
31	Tie rods SVN K	KL22AQ9	KL22AM7	KL22ARH	KL22ARM	KL22AQ5	KL22AQ9	KL22ARD
		KL22ARF						

Motor, Coupling, Motor Adaptor

Mot. power, kW >	0,55	0,75	1,1	1,1	1,5	2,2	2,2
	2,2						

**1	kW >	0,55	0,75	1,1	1,5	2,2
	Motor 4P ->	107230760	107230820	50005RD00	50006RD00	50010RD00
2	Adaptor	161470800	161470800	161470820	161470820	161470840
23	Lifting bracket	-	-	-	-	-
26	Coupling	KL10ABG	KL10ABG	KL10ABH	KL10ABH	KL10ABK
27	Coupling guard	KL33AAR	KL33AAR	KL33AAS	KL33AAS	KL33AAT

Wear Parts Kit

		->15SV06	->15SV11	->15SV17
up to model (->)		1 bearing	2 bearing	3 bearing
*34	Wear parts	KL35AFA	KL35AFB	KL35AFC

Mechanical seal Kit : Mech seal D16 + OR

*20A	Materials->	Q1BEGG	KL01AAE	Std -> Seal Q1BEGG - sleeve OR EPDM / Unbalanced : 10-15-22SV < / = 4 kW
		Q1Q1EGG	KL01AC8	
		Q1BVGG	KL01AAH	
		Q1Q1VGG	KL01ADA	
		Q1CTGG	KL01ADC	
		Q1Q1TGG	KL01ADE	

Common, Single Unit and Kit

3	Base	161431350	-> 15-22SV
4	Plugs	EPDM	KL34AAK
		FPM	KL34AAL
		FEP	KL34AAM
5	Upper holder	-	
*9	Impeller 15SV A316	150703642	
13	Seal housing disc	150102942	
14	Pump body	151302602	-> 15-22SVN
15	Diffuser	152803152	
16	Last stage diffuser	152803052	
17	First stage box	152802950	
*21	OR	EPDM	KL02AA4
		FPM	KL02AA5
		FEP	KL02AA6
24	Motor flange	-	
30	Impellers retainer	KL41AA0	

Parts 15-22SV with less impellers

-> both SV el.pumps 2 - 4 Pole

	Spacer in place of impeller	162503872
	Diffuser box empty	162801652
	Last stage diffuser box empty	162801752

* Recommended spare parts - Parti di ricambio consigliate

* Pièces détachées conseillées - Empfohlene Ersatzteile

** Motor spare parts: see motor lists - Parti di ricambio motore: vedi liste motore

** Pièces détachées Moteur : voir listes moteur - Motor-Ersatzteile: gem. Motorlisten

22SVN 2 Pole 60Hz

ELP 2P 60										
N Version	22SV01N0226	22SV02N0406	22SV03N0556	22SV04N0756	22SV05N1106	22SV06N1106	22SV07N1506	22SV08N1506	22SV09N1856	22SV10N1856
M->	1016L6784									
T->	1016L5914	1016L5924	1016L5934	1016L5944	1016L5954	1016L5964	1016L5974	1016L5984	1016L5994	1016L6004

Single Unit and Kit

10	Sleeve A316	166444032	166444032	166444052	166444072	166444092	166444112	166444132	166444152	166444172	166444192
11	Shaft A316	165051032	165051032	165051052	165051072	165051092B	165051112B	165051132B	165051152B	165051172B	165051192B
31	Tie rods SVN K	KL22AC4	KL22AC4	KL22AQX	KL22AQZ	KL22AQ1	KL22AC9	KL22AQ5	KL22AQ7	KL22AQ9	KL22ARB

Motor, Coupling, Motor Adaptor

Motor power kW >	2,2	4,0	5,5	7,5	11,0	11,0	15,0	18,5	18,5	18,5
------------------	-----	-----	-----	-----	------	------	------	------	------	------

**1	kW ->	2,2	4,0	5,5	7,5	11,0	15,0	18,5		
	Motor 2 P, 1->	50004FD00								
	Motor 2 P, 3->	50001PD00	50008PG00	50013PE00	50017PB00	50019PE00	50024PB00	50025PB00		
2	Adaptor	161470820	161470840	161470860	161470860	161470880	161470880	161470880		
23	Lifting bracket	-	-	161441050	161441050	161441060	161441060	161441060		
26	Coupling	KL10ABH	KL10ABK	KL10ABZ	KL10ABZ	KL10AB0	KL10AB0	KL10AB0	KL10AB0	
27	Coupling guard	KL33AAS	KL33AAU	KL33AAU	KL33AAU	KL33AAU	KL33AAU	KL33AAU		

Wear Parts Kit

	->22SV06	->22SV11
up to model (->)	1 bearing	2 bearing
*34 Wear parts	KL35AFA	KL35AFB

Mechanical seal Kit : Mech seal D16 + OR

*20A	Materials->	Q1BEGG	KL01AAE	Std -> Seal Q1BEGG - sleeve OR EPDM / Unbalanced : 10-15-22SV < / = 4 kW
		Q1Q1EGG	KL01AC8	
		Q1BVGG	KL01AAH	
		Q1Q1VGG	KL01ADA	
		Q1CTGG	KL01ADC	
		Q1Q1TGG	KL01ADE	
*20	Materials->	Q1BEGG	KL01AD7	Std -> Seal Q1BEGG - upper holder OR EPDM / Balanced : 10-15-22SV = / > 5,5 kW
		Q1Q1EGG	KL01AD3	
		Q1BVGG	KL01AD2	
		Q1Q1VGG	KL01AD4	
		Q1CTGG	KL01AD9	
		Q1Q1TGG	KL01AEA	

Common, Single Unit and Kit

3	Base		161431350	-> 15-22SV
4	Plugs	EPDM	KL34AAK	
		FPM	KL34AAL	
		FEP	KL34AAM	
5	Upper holder		-	Up to 4,0 kW included
			160103722	Over 5,5 kW
			160103742	Part holed for tap
*9	Impeller 22SV A316		150703652	
13	Seal housing disc		150102942	Up to 4,0 kW included
			150102962	Over 5,5 kW
14	Pump body		151302602	-> 22SVN DN40
15	Diffuser		152803152	
16	Last stage diffuser		152803052	
17	First stage box		152802952	
*21	OR	EPDM	KL02AA4	
		FPM	KL02AA5	
		FEP	KL02AA6	
24	Motor flange		-	
25	Kit oval flange OR EPDM		-	
	Kit oval flange OR FPM		-	
30	Impellers retainer		KL41AA0	

* Recommended spare parts - Parti di ricambio consigliate

* Pièces détachées conseillées - Empfohlene Ersatzteile

** Motor spare parts: see motor lists - Parti di ricambio motore: vedi liste motore

** Pièces détachées Moteur : voir listes moteur - Motor-Ersatzteile: gem. Motorlisten

22SVN 4 Pole 60Hz

ELP 4P, 3 ~, 60							
N Version	22SV02N0054	22SV03N0074	22SV04N0114	22SV05N0154	22SV06N0154	22SV07N0224	22SV08N0224
	T ->	1016L8054	1016L8064	1016L8074	1016L8084	1016L8094	1016L8104
T ->	22SV09N0224	22SV10N03046					
	1016L8124	1016L8134					

Single Unit and Kit

10	Sleeve A316	166444032	166444052	166444072	166444092	166444112	166444132	166444152
		166444172	166444192					
11	Shaft A316	165051032	165051052	165051072	165051092	165051112	165051132	165051152
		165051172	165051192					
31	Tie rods SVN Kit	KL22AC4	KL22AQX	KL22AQZ	KL22AQ1	KL22AC9	KL22AQ5	KL22AQ7
		KL22AQ9	KL22ARB					

Motor, Coupling, Motor Adaptor

Mot.power, kW >	0,55	0,75	1,1	1,5	1,5	2,2	2,2
	2,2	3,0					

**1	kW >	0,55	1,1	1,5	2,2	3,0
	Motor 4P ->	107230760	50005RD00	50006RD00	50010RD00	50011RD00
2	Adaptor	161470800	161470820	161470820	161470840	161470840
23	Lifting bracket	-	-	-	-	-
26	Coupling	KL10ABG	KL10ABH	KL10ABH	KL10ABK	KL10ABK
27	Coupling guard	KL33AAR	KL33AAS	KL33AAS	KL33AAT	KL33AAT

Wear Parts Kit

	->22SV06	->22SV11
up to model (->)	1 bearing	2 bearing
*34 Wear parts	KL35AFA	KL35AFB

Mechanical seal Kit : Mech seal D16 + OR

*20A	Materials->	Q1BEGG	KL01AAE	Std -> Seal Q1BEGG - sleeve OR EPDM / Unbalanced : 10-15-22SV < / = 4 kW
		Q1Q1EGG	KL01AC8	
		Q1BVGG	KL01AAH	
		Q1Q1VGG	KL01ADA	
		Q1CTGG	KL01ADC	
		Q1Q1TGG	KL01ADE	

Common, Single Unit and Kit

3	Base	161431350	-> 15-22SV
4	Plugs	EPDM	KL34AAK
		FPM	KL34AAL
		FEP	KL34AAM
5	Upper holder	-	
*9	Impeller 22SV A316	150703652	
13	Seal housing disc	150102942	
14	Pump body	151302602	-> 15-22SVN
15	Diffuser	152803152	
16	Last stage diffuser	152803052	
17	First stage box	152802952	
*21	OR	EPDM	KL02AA4
		FPM	KL02AA5
		FEP	KL02AA6
24	Motor flange	-	
30	Impellers retainer	KL41AA0	Unbalanced : 10-15-22SV < / = 4 kW
30	Bush seal kit	KL41AA2	Balanced : 10-15-22SV = / > 5,5 kW

Parts 15-22SV with less impellers

-> both SV el.pumps 2 - 4 Pole

	Spacer in place of impeller	162503872
	Diffuser box empty	162801652
	Last stage diffuser box empty	162801752

* Recommended spare parts - Parti di ricambio consigliate

* Pieces detachées conseillées - Empfohlene Ersatzteile

** Motor spare parts: see motor lists - Parti di ricambio motore: vedi liste motore

** Pièces détachées Moteur : voir listes moteur - Motor-Ersatzteile: gem. Motorlisten

1-22SVN_6_Sept10_EdF

Specific components related to 1SV N-V-C-K 2 Pole 60Hz

ELP 2 P 60Hz		1SV02N0036	1SV03N0036	1SV04N0036	1SV05N0056	1SV06N0056	1SV07N0076	1SV08N0076	1SV09N0076	1SV10N0116	1SV11N0116
N Version	M ~>	1016L6064	1016L6074	1016L6084	1016L6094	1016L6104	1016L6114	1016L6124	1016L6134	1016L6144	1016L6154
	T ~>	1016L4714	1016L4724	1016L4734	1016L4744	1016L4754	1016L4764	1016L4774	1016L4784	1016L4794	1016L4804
	M ~>	1SV12N0116	1SV13N0116	1SV15N0156	1SV17N0156	1SV18N0226	1SV20N0226	1SV22N0226	1SV24N0226	1SV26N0226	1SV28N0306
	T ~>	1016L6164	1016L6174	1016L6194	1016L6214	1016L6224	1016L6244	1016L6264	1016L6284	1016L6304	
V Version	M ~>	1016L4814	1016L4824	1016L4844	1016L4864	1016L4874	1016L4894	1016L4914	1016L4934	1016L4954	1016L4974
	T ~>	1SV02V0036	1SV03V0036	1SV04V0036	1SV05V0056	1SV06V0056	1SV07V0076	1SV08V0076	1SV09V0076	1SV10V0116	1SV11V0116
	M ~>	1016L6065	1016L6075	1016L6085	1016L6095	1016L6105	1016L6115	1016L6125	1016L6135	1016L6145	1016L6155
	T ~>	1016L4715	1016L4725	1016L4735	1016L4745	1016L4755	1016L4765	1016L4775	1016L4785	1016L4795	1016L4805
C Version	M ~>	1SV12V0116	1SV13V0116	1SV15V0156	1SV17V0156	1SV18V0226	1SV20V0226	1SV22V0226	1SV24V0226	1SV26V0226	1SV28V0306
	T ~>	1016L6165	1016L6175	1016L6195	1016L6215	1016L6225	1016L6245	1016L6265	1016L6285	1016L6305	
	M ~>	1016L4815	1016L4825	1016L4845	1016L4865	1016L4875	1016L4895	1016L4915	1016L4935	1016L4955	1016L4975
	T ~>	1SV02C0036	1SV03C0036	1SV04C0036	1SV05C0056	1SV06C0056	1SV07C0076	1SV08C0076	1SV09C0076	1SV10C0116	1SV11C0116
K Version	M ~>	1016L606B	1016L607B	1016L608B	1016L609B	1016L610B	1016L611B	1016L612B	1016L613B	1016L614B	1016L615B
	T ~>	1016L471B	1016L472B	1016L473B	1016L474B	1016L475B	1016L476B	1016L477B	1016L478B	1016L479B	1016L480B
	M ~>	1SV12K0116	1SV13K0116	1SV15K0156	1SV17K0156	1SV18K0226	1SV20K0226	1SV22K0226	1SV24K0226	1SV26K0226	1SV28K0306
	T ~>	1016L616B	1016L617B	1016L619B	1016L621B	1016L622B	1016L624B	1016L626B	1016L628B	1016L630B	
K Version	M ~>	1016L481B	1016L482B	1016L484B	1016L486B	1016L487B	1016L489B	1016L491B	1016L493B	1016L495B	1016L497B
	T ~>	1SV02K0036	1SV03K0036	1SV04K0036	1SV05K0056	1SV06K0056	1SV07K0076	1SV08K0076	1SV09K0076	1SV10K0116	1SV11K0116
	M ~>	1016L606C	1016L607C	1016L608C	1016L609C	1016L610C	1016L611C	1016L612C	1016L613C	1016L614C	1016L615C
	T ~>	1016L471C	1016L472C	1016L473C	1016L474C	1016L475C	1016L476C	1016L477C	1016L478C	1016L479C	1016L480C
K Version	M ~>	1SV12K0116	1SV13K0116	1SV15K0156	1SV17K0156	1SV18K0226	1SV20K0226	1SV22K0226	1SV24K0226	1SV26K0226	1SV28K0306
	T ~>	1016L616C	1016L617C	1016L619C	1016L621C	1016L622C	1016L624C	1016L626C	1016L628C	1016L630C	
K Version	M ~>	1016L481C	1016L482C	1016L484C	1016L486C	1016L487C	1016L489C	1016L491C	1016L493C	1016L495C	1016L497C
	T ~>										

Common, Single Unit and kit

3	Base	161431310	-> 1-3-5 SV N-V-K
		161431300	-> 1-3-5SV C
14	Pump body	151302322	-> 1-3SVN
		151302352	-> 1-3-5SV C
		151302362	-> 1-3-5SV V-P
		151302362	-> 1-3-5SV K

Service kit

-	Pump stack 1SV EPDM	102882014	102882024	102882034	102882044	102882054	102882064	102882074	102882084	102882094	102882104
		102882114	102882124	102882144	102882164	TbD	TbD	102882214	TbD	TbD	TbD

1SV N 4 Pole 60Hz

ELP 4 P, 3 ~, 60		1SV03N004	1SV05N004	1SV07N004	1SV09N004	1SV11N004	1SV13N004	1SV15N004	1SV17N004	1SV18N004	1SV20N004
N Version	T ~>	1016L6854	1016L6874	1016L6894	1016L6914	1016L6934	1016L6954	1016L6974	1016L6994	1016L7004	1016L7024
	T ~>	1SV22N004	1SV24N004	1SV26N004	1SV28N004						
		1016L7044	1016L7064	1016L7084	1016L7104						

Service kit

-	Pump stack 1SV EPDM	102882024	102882044	102882064	102882084	102882104	102882124	102882144	102882164	TbD	TbD
		102882214	TbD	TbD	TbD						

For common components pls see spare part lists 1-22SV N 2 pole

TbD: Part Number To be Defined

* Recommended spare parts - Parti di ricambio consigliate

* Pièces détachées conseillées - Empfohlene Ersatzteile

** Motor spare parts: see motor lists - Parti di ricambio motore: vedi liste motore

** Pièces détachées Moteur : voir listes moteur - Motor-Ersatzteile: gem. Motorlisten

Specific components related to 3SV N-V-C-K 2 Pole 60Hz

Production date >Sept 2010

ELP 2 P 60Hz											
N Version	M ->	3SV02N0036	3SV03N0056	3SV04N0076	3SV05N0116	3SV06N0116	3SV07N0116	3SV08N0156	3SV09N0156	3SV10N0226	3SV11N0226
	T ->	1016L6364	1016L6374	1016L6384	1016L6394	1016L6404	1016L6414	1016L6424	1016L6434	1016L6444	1016L6454
		1016L5034	1016L5044	1016L5054	1016L5064	1016L5074	1016L5084	1016L5094	1016L5104	1016L5114	1016L5124
		3SV12N0226	3SV13N0226	3SV14N0226	3SV15N0306	3SV17N0306	3SV19N0306	3SV21N0406	3SV23N0406		
	M ->	1016L6464	1016L6474	1016L6484							
	T ->	1016L5134	1016L5144	1016L5154	1016L5164	1016L5184	1016L5204	1016L5224	1016L5244		
V Version	M ->	3SV02V0036	3SV03V0056	3SV04V0076	3SV05V0116	3SV06V0116	3SV07V0116	3SV08V0156	3SV09V0156	3SV10V0226	3SV11V0226
	T ->	1016L6365	1016L6375	1016L6385	1016L6395	1016L6405	1016L6415	1016L6425	1016L6435	1016L6445	1016L6455
		1016L5035	1016L5045	1016L5055	1016L5065	1016L5075	1016L5085	1016L5095	1016L5105	1016L5115	1016L5125
		3SV12V0226	3SV13V0226	3SV14V0226	3SV15V0306	3SV17V0306	3SV19V0306	3SV21V0406	3SV23V0406		
	M ->	1016L6465	1016L6475	1016L6485							
	T ->	1016L5135	1016L5145	1016L5155	1016L5165	1016L5185	1016L5205	1016L5225	1016L5245		
C Version	M ->	3SV02C0036	3SV03C0056	3SV04C0076	3SV05C0116	3SV06C0116	3SV07C0116	3SV08C0156	3SV09C0156	3SV10C0226	3SV11C0226
	T ->	1016L636B	1016L637B	1016L638B	1016L639B	1016L640B	1016L641B	1016L642B	1016L643B	1016L644B	1016L645B
		1016L503B	1016L504B	1016L505B	1016L506B	1016L507B	1016L508B	1016L509B	1016L510B	1016L511B	1016L512B
		3SV12C0226	3SV13C0226	3SV14C0226	3SV15C0306	3SV17C0306	3SV19C0306	3SV21C0406	3SV23C0406		
	M ->	1016L646B	1016L647B	1016L648B							
	T ->	1016L513B	1016L514B	1016L515B	1016L516B	1016L518B	1016L520B	1016L522B	1016L524B		
K Version	M ->	3SV02K0036	3SV03K0056	3SV04K0076	3SV05K0116	3SV06K0116	3SV07K0116	3SV08K0156	3SV09K0156	3SV10K0226	3SV11K0226
	T ->	1016L636C	1016L637C	1016L638C	1016L639C	1016L640C	1016L641C	1016L642C	1016L643C	1016L644C	1016L645C
		1016L503C	1016L504C	1016L505C	1016L506C	1016L507C	1016L508C	1016L509C	1016L510C	1016L511C	1016L512C
		3SV12K0226	3SV13K0226	3SV14K0226	3SV15K0306	3SV17K0306	3SV19K0306	3SV21K0406	3SV23K0406		
	M ->	1016L646C	1016L647C	1016L648C							
	T ->	1016L513C	1016L514C	1016L515C	1016L516C	1016L518C	1016L520C	1016L522C	1016L524C		

Common, Single Unit and kit

3	Base	161431310	-> 1-3-5 SV N-V-K
		161431300	-> 1-3-5 SV C
14	Pump body	151302322	-> 1-3SV N
		151302352	-> 1-3SVC
		151302362	-> 1-3SV V-P
		151302362	-> 1-3SV K

Service kit

-	Pump stack 3SV	102882414	102882424	102882434	102882444	102882454	102882464	102882474	102882484	102882494	102882504
	EPDM	102882514	102882524	102882534	TBD	TBD	102882584	102882604	102882624	4	4

3SV N 4 Pole 60Hz

ELP 4 P, 3 ~, 60										
N Version		3SV02N004	3SV04N004	3SV06N004	3SV08N004	3SV10N004	3SV12N004	3SV14N004	3SV15N004	3SV17N004
	T ->	1016L7164	1016L7184	1016L7204	1016L7224	1016L7244	1016L7264	1016L7284	1016L7294	1016L7314
		3SV19N004	3SV21N004	3SV23N004						
		1016L7334	1016L7354	1016L7374						

Service kit

-	Pump stack 3SV	102882414	102882434	102882454	102882474	102882494	102882514	102882534	TbD	TbD
	EPDM	102882584	102882604	102882624						

For common components pls see spare part lists 1-22SV N 2 pole

TbD: Part Number To be Defined

* Recommended spare parts - Parti di ricambio consigliate

** Pièces détachées conseillées - Empfohlene Ersatzteile

** Motor spare parts: see motor lists - Parti di ricambio motore: vedi liste motore

** Pièces détachées Moteur : voir listes moteur - Motor-Ersatzteile: gem. Motorlisten

1-22SVN_6_Sept10_EdF

Specific components related to 5SV N-V-C-K 2 Pole 60Hz

ELP 2 P 60		5SV02N0056	5SV03N0076	5SV04N0116	5SV05N0156	5SV06N0156	5SV07N0226	5SV08N0226	5SV09N0226	5SV10N0306	5SV11N0306
N Version	M ~>	1016L6544	1016L6554	1016L6564	1016L6574	1016L6584	1016L6594	1016L6604	1016L6614		
	T ~>	1016L5304	1016L5314	1016L5324	1016L5334	1016L5344	1016L5354	1016L5364	1016L5374	1016L5384	1016L5394
		5SV12N0306	5SV13N0406	5SV14N0406	5SV15N0406	5SV16N0406	5SV17N0556	5SV19N0556	5SV21N0556	5SV23N0556	
	M ~>										
V Version	T ~>	1016L5404	1016L5414	1016L5424	1016L5434	1016L5444	1016L5454	1016L5474	1016L5494	1016L5514	
	M ~>	5SV02V0056	5SV03V0076	5SV04V0116	5SV05V0156	5SV06V0156	5SV07V0226	5SV08V0226	5SV09V0226	5SV10V0306	5SV11V0306
	T ~>	1016L6545	1016L6555	1016L6565	1016L6575	1016L6585	1016L6595	1016L6605	1016L6615		
	M ~>	1016L5305	1016L5315	1016L5325	1016L5335	1016L5345	1016L5355	1016L5365	1016L5375	1016L5385	1016L5395
C Version	T ~>	5SV12V0306	5SV13V0406	5SV14V0406	5SV15V0406	5SV16V0406	5SV17V0556	5SV19V0556	5SV21V0556	5SV23V0556	
	M ~>										
	T ~>	1016L5405	1016L5415	1016L5425	1016L5435	1016L5445	1016L5455	1016L5475	1016L5495	1016L5515	
	M ~>	5SV02C0056	5SV03C0076	5SV04C0116	5SV05C0156	5SV06C0156	5SV07C0226	5SV08C0226	5SV09C0226	5SV10C0306	5SV11C0306
K Version	T ~>	1016L654B	1016L655B	1016L656B	1016L657B	1016L658B	1016L659B	1016L660B	1016L661B		
	M ~>	1016L530B	1016L531B	1016L532B	1016L533B	1016L534B	1016L535B	1016L536B	1016L537B	1016L538B	1016L539B
	T ~>	5SV12C0306	5SV13C0406	5SV14C0406	5SV15C0406	5SV16C0406	5SV17C0556	5SV19C0556	5SV21C0556	5SV23C0556	
	M ~>										
K Version	T ~>	1016L540B	1016L541B	1016L542B	1016L543B	1016L544B	1016L545B	1016L547B	1016L549B	1016L551B	
	M ~>	5SV02K0056	5SV03K0076	5SV04K0116	5SV05K0156	5SV06K0156	5SV07K0226	5SV08K0226	5SV09K0226	5SV10K0306	5SV11K0306
	T ~>	1016L654C	1016L655C	1016L656C	1016L657C	1016L658C	1016L659C	1016L660C	1016L661C		
	M ~>	1016L530C	1016L531C	1016L532C	1016L533C	1016L534C	1016L535C	1016L536C	1016L537C	1016L538C	1016L539C
K Version	T ~>	5SV12K0306	5SV13K0406	5SV14K0406	5SV15K0406	5SV16K0406	5SV17K0556	5SV19K0556	5SV21K0556	5SV23K0556	
	M ~>										
	T ~>	1016L540C	1016L541C	1016L542C	1016L543C	1016L544C	1016L545C	1016L547C	1016L549C	1016L551C	

Common, Single Unit and kit

3	Base	161431310	-> 1-3-5 SV N-V-K
		161431300	-> 1-3-5SV C
14	Pump body	151302352	-> 1-3-5 SV C
		151302362	-> 1-3-5 SV V-P
		151302372	-> 1-3-5 SV K
		151302402	-> 5SV N

Service kit

-	Pump stack 5SV	102882784	102882794	102882804	102882814	102882824	102882834	102882844	102882854	102882864	102882874
	EPDM	102882884	102882894	102882904	102882914	102882924	TBD	TBD	102882974	102882994	

5SV N 4 Pole 60Hz

ELP 2 P 60		5SV03N004	5SV05N004	5SV07N004	5SV09N004	5SV11N004	5SV13N004	5SV15N004	5SV17N004	5SV19N004	5SV21N004
N Version	T ~>	1016L7444	1016L7464	1016L7484	1016L7504	1016L7524	1016L7544	1016L7564	1016L7584	1016L7604	1016L7624
		5SV23N004									
	T ~>	1016L7644									

Service kit

-	Pump stack 5SV	102882794	102882814	102882834	102882854	102882874	102882894	102882914	TbD	TbD	102882974
	EPDM	102882994									

For common components pls see spare part lists 1-22SV N 2 pole

TbD: Part Number To be Defined

* Recommended spare parts - Parti di ricambio consigliate

* Pièces détachées conseillées - Empfohlene Ersatzteile

** Motor spare parts: see motor lists - Parti di ricambio motore: vedi liste motore

** Pièces détachées Moteur : voir listes moteur - Motor-Ersatzteile: gem. Motorlisten

Specific components related to 10SV N-V-C-K 2 Pole 60Hz

ELP 2P 60											
N Version	M-->	10SV01N0076	10SV02N0156	10SV03N0226	10SV04N0306	10SV05N0406	10SV06N0406	10SV07N0556	10SV08N0556	10SV09N0756	10SV10N0756
	T-->	1016L6664	1016L6674	1016L6684	1016L5594	1016L5604	1016L5614	1016L5624	1016L5634	1016L5644	1016L5654
		10SV11N0756	10SV13N1106	10SV15N1106							
	M-->										
	T-->	1016L5664	1016L5684	1016L5704							
V Version	M-->	10SV01V0076	10SV02V0156	10SV03V0226	10SV04V0306	10SV05V0406	10SV06V0406	10SV07V0556	10SV08V0556	10SV09V0756	10SV10V0756
	T-->	1016L6665	1016L6675	1016L6685	1016L5595	1016L5605	1016L5615	1016L5625	1016L5635	1016L5645	1016L5655
		10SV11V0756	10SV13V1106	10SV15V1106							
	M-->										
	T-->	1016L5665	1016L5685	1016L5705							
C Version	M-->	10SV01C0076	10SV02C0156	10SV03C0226	10SV04C0306	10SV05C0406	10SV06C0406	10SV07C0556	10SV08C0556	10SV09C0756	10SV10C0756
	T-->	1016L666B	1016L667B	1016L668B	1016L559B	1016L560B	1016L561B	1016L562B	1016L563B	1016L564B	1016L565B
		10SV11C0756	10SV13C1106	10SV15C1106							
	M-->										
	T-->	1016L566B	1016L568B	1016L570B							
K Version	M-->	10SV01K0076	10SV02K0156	10SV03K0226	10SV04K0306	10SV05K0406	10SV06K0406	10SV07K0556	10SV08K0556	10SV09K0756	10SV10K0756
	T-->	1016L666C	1016L667C	1016L668C	1016L559C	1016L560C	1016L561C	1016L562C	1016L563C	1016L564C	1016L565C
		10SV11K0756	10SV13K1106	10SV15K1106							
	M-->										
	T-->	1016L566C	1016L568C	1016L570C							

Common, Single Unit and Kit

3	Base	161431330	-> 10SV N - C
		161431350	-> 10SV V - P - K
14	Pump body	151302452	-> 10SVN PN 40
		151302482	-> 10SVC
		151302492	-> 10SVV-P
		151302502	-> 10SVK

Service kit

-	Pump stack 10S EPDM	102883144	102883154	102883164	102883174	102883184	102883194	102883204	102883224	102883244	102883264
		102883284	102883334	102883374							

10SVN 4 Pole 60Hz

ELP 4P, 3 ~, 60											
Version N	M-->	10SV03N04	10SV05N04	10SV07N04	10SV09N04	10SV11N04	10SV13N04	10SV15N04	5SV17N004	5SV19N004	5SV21N004
	T-->	1016L7714	1016L7734	1016L7754	1016L7774	1016L7794	1016L7814	1016L7834	1016L7584	1016L7604	1016L7624

Service kit

-	Pump stack 10S EPDM	102883164	102883184	102883204	102883244	102883284	TbD	TbD	TbD	TbD	TbD
---	---------------------	-----------	-----------	-----------	-----------	-----------	-----	-----	-----	-----	-----

For common components pls see spare part lists 1-22SV N 2 pole

TbD: Part Number To be Defined

* Recommended spare parts - Parti di ricambio consigliate

* Pieces detachees conseillées - Emptohlene Ersatzteile

** Motor spare parts: see motor lists - Parti di ricambio motore: vedi liste motore

** Pièces détachées Moteur : voir listes moteur - Motor-Ersatzteile: gem. Motorlister

Specific components related to 15SV N-V-C-K 2 Pole 60Hz

ELP 2P 60										
N Version	15SV01N0156	15SV02N0306	15SV03N0406	15SV04N0556	15SV05N0756	15SV06N1106	15SV07N1106	15SV08N1506	15SV09N1506	15SV10N1506
	M-> 1016L6734									
	T-> 1016L5754	1016L5764	1016L5774	1016L5784	1016L5794	1016L5804	1016L5814	1016L5824	1016L5834	1016L5844
	15SV11N1856	15SV12N1856								
	M->									
V Version	15SV01V0156	15SV02V0306	15SV03V0406	15SV04V0556	15SV05V0756	15SV06V1106	15SV07V1106	15SV08V1506	15SV09V1506	15SV10V1506
	M-> 1016L6735									
	T-> 1016L5755	1016L5765	1016L5775	1016L5785	1016L5795	1016L5805	1016L5815	1016L5825	1016L5835	1016L5845
	15SV11V1856	15SV12V1856								
	M->									
C Version	15SV01C0156	15SV02C0306	15SV03C0406	15SV04C0556	15SV05C0756	15SV06C1106	15SV07C1106	15SV08C1506	15SV09C1506	15SV10C1506
	M-> 1016L673B									
	T-> 1016L575B	1016L576B	1016L577B	1016L578B	1016L579B	1016L580B	1016L581B	1016L582B	1016L583B	1016L584B
	15SV11C1856	15SV12C1856								
	M->									
K Version	15SV01K0156	15SV02K0306	15SV03K0406	15SV04K0556	15SV05K0756	15SV06K1106	15SV07K1106	15SV08K1506	15SV09K1506	15SV10K1506
	M-> 1016L673C									
	T-> 1016L575C	1016L576C	1016L577C	1016L578C	1016L579C	1016L580C	1016L581C	1016L582C	1016L583C	1016L584C
	15SV11K1856	15SV12K1856								
	M->									
T-> 1016L585C	1016L586C									

Common, Single Unit and Kit

14	Pump body	151302482	-> 15SVC
		151302492	-> 15SVV-P
		151302502	-> 15SVK
		151302602	-> 15SVN DN40

Service kit

-	Pump stack 15S EPDM	102883584	102883594	102883604	TBD	TBD	102883664	102883684	102883704	102883724	102883744
		102883764									

15SVN 4 Pole 60Hz

ELP 4P, 3 ~, 60									
N Version	15SV03N04	15SV04N04	15SV05N04	15SV06N04	15SV07N04	15SV09N04	15SV11N04	15SV12N04	
	T-> 1016L7904	1016L7914	1016L7924	1016L7934	1016L7944	1016L7964	1016L7984	1016L7994	

Service kit

-	Pump stack 15S EPDM	102883604	102883614	102883634	TbD	102883694	TbD	TbD	TbD
---	---------------------	-----------	-----------	-----------	-----	-----------	-----	-----	-----

For common components pls see spare part lists 1-22SV N 2 pole

TbD: TbD: Part Number To be Defined

* Recommended spare parts - Parti di ricambio consigliate

* Pièces détachées conseillées - Empfohlene Ersatzteile

** Motor spare parts: see motor lists - Parti di ricambio motore: vedi liste motore

** Pièces détachées Moteur : voir listes moteur - Motor-Ersatzteile: gem. Motorlisten

Specific components related to 22SV N-V-C-K 2 Pole 60Hz

ELP 2P 60										
N Version	22SV01N0226	22SV02N0406	22SV03N0556	22SV04N0756	22SV05N1106	22SV06N1106	22SV07N1506	22SV08N1506	22SV09N1856	22SV10N1856
	M->	1016L6784								
	T->	1016L5914	1016L5924	1016L5934	1016L5944	1016L5954	1016L5964	1016L5974	1016L5984	1016L5994
V Version	22SV01V0226	22SV02V0406	22SV03V0556	22SV04V0756	22SV05V1106	22SV06V1106	22SV07V1506	22SV08V1506	22SV09V1856	22SV10V1856
	M->	1016L6785								
	T->	1016L5915	1016L5925	1016L5935	1016L5945	1016L5955	1016L5965	1016L5975	1016L5985	1016L5995
C Version	22SV01C0226	22SV02C0406	22SV03C0556	22SV04C0756	22SV05C1106	22SV06C1106	22SV07C1506	22SV08C1506	22SV09C1856	22SV10C1856
	M->	1016L678B								
	T->	1016L591B	1016L592B	1016L593B	1016L594B	1016L595B	1016L596B	1016L597B	1016L598B	1016L599B
K Version	22SV01K0226	22SV02K0406	22SV03K0556	22SV04K0756	22SV05K1106	22SV06K1106	22SV07K1506	22SV08K1506	22SV09K1856	22SV10K1856
	M->	1016L678C								
	T->	1016L591C	1016L592C	1016L593C	1016L594C	1016L595C	1016L596C	1016L597C	1016L598C	1016L599C

Common, Single Unit and Kit

14	Pump body	151302482	-> 22SVC
		151302492	-> 22SVV-P
		151302502	-> 22SVK
		151302602	-> 22SVN DN40

Service kit

-	Pump stack 22SV	102883974	102883984	TBD	TBD	102884044	102884064	102884084	102884104	102884124	102884144
	EPDM										

22SVN 4 Pole 60Hz

ELP 4P, 3 ~, 60										
N Version	22SV02N04	22SV03N04	22SV04N04	22SV05N04	22SV06N04	22SV07N04	22SV08N04	22SV09N04	22SV10N04	
	T->	1016L8054	1016L8064	1016L8074	1016L8084	1016L8094	1016L8104	1016L8114	1016L8124	1016L8134

Service kit

-	Pump stack 22SV	102883984	102883994	102884014	TbD	TbD	102884074	102884094	TbD	102884134
	EPDM									

For common components pls see spare part lists 1-22SV N 2 pole

TbD: Part Number To be Defined

* Recommended spare parts - Parti di ricambio consigliate

* Pièces détachées conseillées - Empfohlene Ersatzteile

** Motor spare parts: see motor lists - Parti di ricambio motore: vedi liste motore

** Pièces détachées Moteur : voir listes moteur - Motor-Ersatzteile: gem. Motorlisten