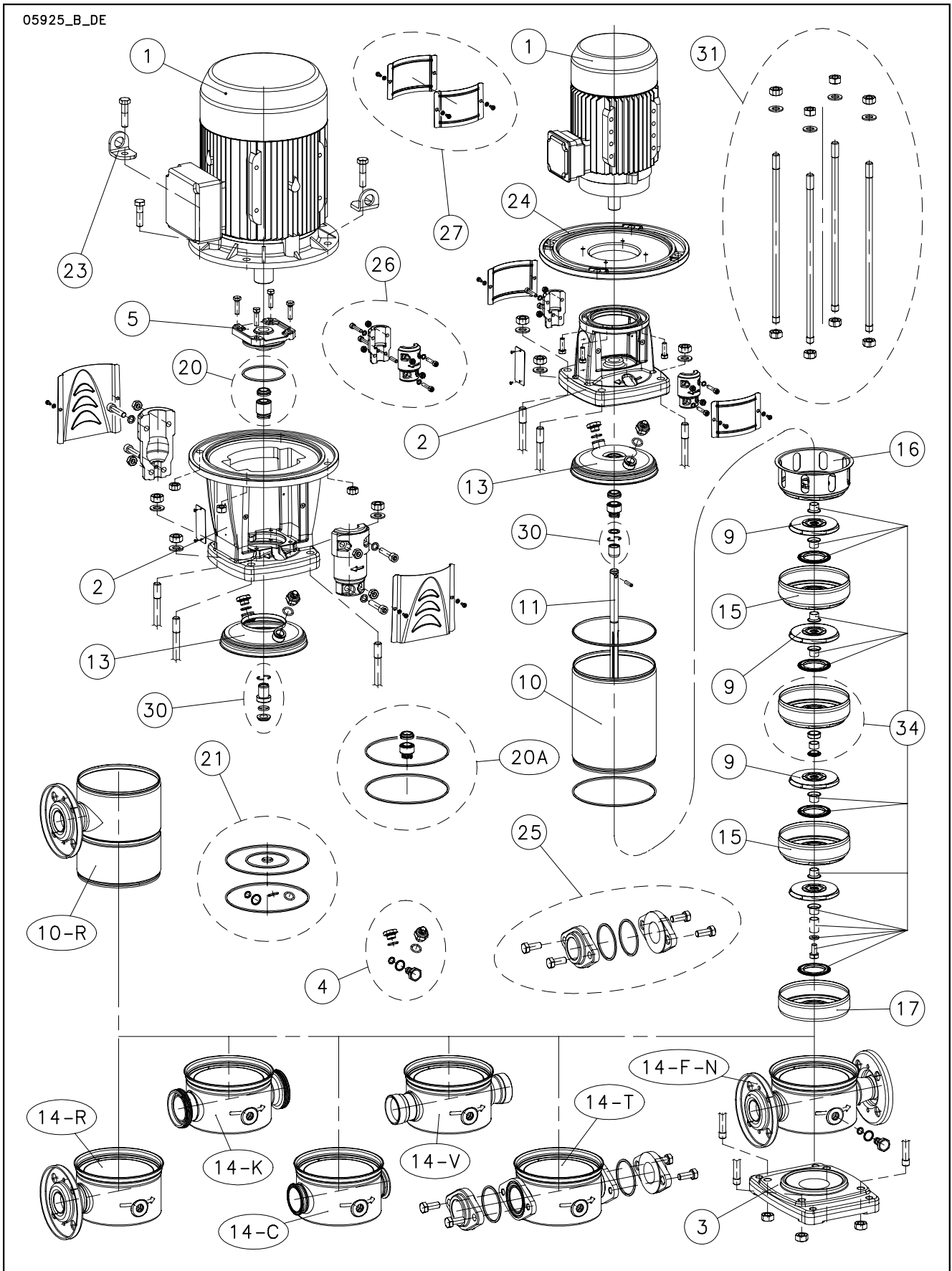


## 1, 3, 5, 10, 15, 22SV



Lowara and Vogel Pumpen are a trademark of Xylem Inc. or one of its subsidiaries. Goulds is a registered trademark of Goulds Pumps, Inc. and is used under license.

N.	Descrizione It	Description en	Description fr	Beschreibung de	Descripción es	Descrição pt
1	Motore	Motor	Moteur	Motor	Motor	Motor
2	Lanterna	Adaptor	Lanterne	Motorlanterne	Adaptador	Adaptador
3	Base	Basement	Base	Untersatz	Base	Base
4	Tappi	Plugs	Bouchons	Stopfen	Tapones	Tampões
5	Portatenuta superiore	Upper holder	Disque supérieure	Oberer dichtungsdeckel	Disco superior	Disco superior
9	Girante	Impeller	Roue	Laufrad	Rodete	Impulsor
10	Camicia	Sleeve	Chemise	Gehäuse	Camisa	Camisa
11	Albero	Shaft	Arbre	Welle	Árbol	Veio
13	Disco porta tenuta	Seal housing disc	Disque de garniture	Dichtungsdeckel	Disco de alojamiento sello	Disco porta-vedante
14	Corpo pompa	Pump body	Corps de pompe	Pumpengehäuse	Caja bomba	Corpo da bomba
15	Diffusore	Diffuser	Diffuseur	Diffusor	Difusor	Difusor
16	Diffusore finale	Last stage diffuser	Diffuseur dernier étage	Enddiffusor	Difusor final	Difusor final
17	Scatola stadio iniziale	Initial stage box	Box premier étage	Erste Stufe Diffusor	Caja etapa inicial	Carcaça primeira célula
20	Kit tenuta mecc. + OR	Mechanical seal + OR kit	Kit garniture méc. + joints toriques	Gleitringdichtung + O-Ring [Satz]	Kit sello mec. + junta tórica	Kit vedante mec. + OR
21	Kit guarnizioni OR	O ring kit	Kit joints toriques	Dichtungssatz	Kit juntas tóricas	Kit guarnições OR
23	Staffa sollevamento	Lifting bracket	Support de levage	Hebeösen	Soporte de elevación	Suporte de suspensão
24	Flangia motore	Motor flange	Bride moteur	Motorflansch	Brida motor	Flange motor
25	Kit controflangia ovale	O val counterflange kit	Kit contrebride ovale	Gegenflansch oval [Satz]	Kit contrafrida oval	Kit contraflange oval
26	Kit coppia di semigiunti	Pair of half coupling kit	Kit paire de demi-manchons	Kupplung [Satz]	Kit par de semijuntas	Kit par de semi-juntas
27	Kit protezione giunto	Coupling guard kit	Kit protection manchon	Kupplungsschutz [Satz]	Kit protección junta	Kit protecção junta
30	Kit bussola tenuta	Bush seal kit	Kit douille garniture	Gleitringdichtungsarretierung und mitnehmer	Kit casquillo sello	kit bucha vedante
31	Kit tiranti	Tie rods kit	Kit tirants	Zugstangen [Satz]	Kit tirantes	Kit tirantes
34	Kit parti di usura	Wear parts kit	Kit parties d'usure	Verschleißteile [Satz]	Kit piezas de desgaste	Kit peças desgastáveis
N.	Beschrijving nl	Περιγραφή el	Açıklama tr	Kuvaus fi	Описание ru	Opis pl
1	Motor	Πλήρης κινητήρας	Motor	Moottori	Двигатель	Silnik
2	Lantaarnstuk	Μπρακέτο	Adaptör	Sovitin	Крестовина	Piasta
3	Pompvoet	Βάση	Kaide	Perusta	Основание	Podstawa
4	Pluggen	Σετ ταπών	Tapalar	Tulpat	Пробки	Zatyczki
5	Bovenste plaat	Ανώτερος δίσκος	Üst disk	Ylempi levy	Верхний держатель дисков	Tarcza górna
9	Waaier	στροφέιο	Pompa rotoru	Juoksupyörä	рабочее колесо	Wirnik
10	Mantel	Κέλυφος	Gömlük	Muhvi	Муфта	Plaszcz
11	As	Άξονας	Mil	Akseli	Вал	Wał
13	Dichtingssteenplaat	Δίσκος μηχανικού στυπιοθλίπτη	Sızdırmazlık elemanı disk	Tiivsteen kannatuslevy	Пластина держателя прокладки	Tarcza uszczelki
14	Pomphuis	Σώμα αντλίας	Pompa gövdesi	Pumpun runko	Корпус насоса	Korpus pompy
15	Diffusor	Πτερύγιο εκτροπής	Difüzör	Diffusori	Диффузор	Dyfuzor
16	Diffusor laatste trap	Τελευταίο πτερύγιο εκτροπής	Son difüzör	Loppuvaiheen diffusori	Конечный диффузор	Dyfuzor końcowy
17	Kast eerste trap	Πρώτο πτερύγιο εκτροπής	İlk kademe kutusu	Ensivaiheen laatikko	Коробка начальной стадии	Skrzynka początkowego stadium
20	Set mech. asafdichting + O-ring	Μηχανικός στυπιοθλίπτης και ροδέλες στεγανοποίησης	Mekanik salmastra kiti + O-Ring	Mek. tiiviste + O-rengassarja	Комплект мех. прокладки + OR	Zestaw uszcz. mech. + OR
21	Set O-ringafdichtingen	Σετ ροδέλες στεγανοποίησης	O-Ring kiti	O-rengassarja	Комплект кольцевых прокладок OR	Zestaw uszczeliek OR
23	Hijs steun	Άρση αγκύλη	Dirsek Kaldırma	Nosto ylätuki	Подъемные кронштейн	Podnoszenia wspornik
24	Motorflens	Μπρακέτο κινητήρα	Motor flanş	Moottorin laippa	Фланец двигателя	Kolnierz silnika
25	Set ovale flenzen	Σετ Οβάλ φλάντζα	Oval flanç kiti	Soikeiden vastalajpojen sarja	Комплект Овальный фланец	Zestaw Kolnierz owalnych
26	Set koppelingshefften	Σετ σταθερού συνδέσμου	Çift yarım manşon kiti	Liitinsarja	Комплект пары полумуфт	Zestaw pary półzłączy
27	Set koppelingsbescherming	Καλύμματα προστασίας σταθερού συνδέσμου	Manşon koruma kiti	Liitoksen suojustarja	Комплект защиты муфт	Zestaw ochrony złączy
30	Set afdichtingsbus	Σετ κουζινέτου μηχανικού στυπιοθλίπτη	Sızdırmazlık elemanı burcu kiti	Holkki ja tiiviste	Комплект втулки уплотнения	Zestaw busoli uszczel.
31	Set trekstangen	Σετ ράβδων σύνδεσης	Gergi çubuğu kiti	Vetotankosarja	Комплект тяг	Zestaw napinaczy
34	Set slijtonderdelen	Σετ δακτυλίων τριβής	Aşınma parçaları kiti	Kulumisiosien sarja	Комплект изнашиваемых частей	Zestaw części podl. zużyciu

## 1SVNL 2 Pole 60Hz (1SVNL/D: motors IE3 fitted)

ELP 2 P 60Hz		1SV03NL0036	1SV04NL0036	1SV05NL0056	1SV06NL0056	1SV07NL0076	1SV08NL0076	1SV09NL0116	1SV10NL0116	1SV11NL0116	1SV12NL0116
F Version	M ~>	1016L607G	1016L608G	1016L609G	1016L610G	1016L611G	1016L612G	1016L613G	1016L614G	1016L615G	1016L616G
	T(IE1-IE2) ~>	1016L472G	1016L473G	1016L474G	1016L475G	1016L476G	1016L477G	1016L478G	1016L479G	1016L480G	1016L481G
M ~>	T(IE1-IE3) ~>	1016L472G	1016L473G	1016L474G	1016L475G	1016L476G	1016L477G	1016L478G	1016L479G	1016L480G	1016L481G
		1016L472G	1016L473G	1016L474G	1016L475G	1016L476G	1016L477G	1016L478G	1016L479G	1016L480G	1016L481G
		1SV13NL0116	1SV15NL0156	1SV17NL0156	1SV18NL0226	1SV20NL0226	1SV22NL0226	1SV24NL0226	1SV26NL0226	1SV28NL0306	
M ~>	T(IE2) ~>	1016L617G	1016L619G	1016L621G	1016L622G	1016L624G	1016L626G	1016L628G	1016L630G		
		1016L482G	1016L484G	1016L486G	1016L487G	1016L489G	1016L491G	1016L493G	1016L495G	1016L497G	
T(IE3) ~>		1016L482G	1016L483G	1016L485G	1016L486G	1016L488G	1016L490G	1016L492G	1016L494G	1016L496G	
		1016LG82G	1016LG84G	1016LG86G	1016L487G	1016L489G	1016L491G	1016L493G	1016L495G	1016L497G	

### Single Unit and Kit

10	Sleeve N	166443042	166443062	166443072	166443082	166443102	166443122	166443142	166443152	166443162	166443182
		166443202	166443232	166443262	166443282	166443312	166443342	166443382	166443402	166443442	
11	Shaft A316	165050042	165050062	165050072	165050082	165050102	165050122	165050142	165050152	165050162	165050182
		165050202	165050232	165050262	165050282	165050312	165050342	165050382	165050402	165050442	
31	Tie rods SVN kit	KL22ANY	KL22ANZ	KL22ANO	KL22AN1	KL22AN2	KL22ACP	KL22AN4	KL22AN5	KL22AN6	KL22AN7
		KL22ACT	KL22APA	KL22APC	KL22ACW	KL22AQB	KL22APF	KL22APU	KL22APV	KL22APW	

### Motor, Coupling, Motor adaptor

Motor power kW >	0,37	0,37	0,55	0,55	0,75	0,75	1,1	1,1	1,1	1,1
	1,1	1,5	1,5	2,2	2,2	2,2	2,2	2,2	3,0	

**1	kW >	0,37	0,55	0,75	1,1	1,5	2,2	3,0
	Motor 2P, 1 ~>	107231020	107231040	107231100	107231120	107231140	50004FD00	
	Motor 2P,3-, IE2 since 0,75kW >	107230060	107230080	107230153	107230503	50000PD00	50001PD00	50002PF00
		107230060	107230080	107230153	107230503	107240010	107240510	107241010
	Motor 2P,3-, IE3 since 0,75kW >	107230060	107230080	107234001	107234011	107234021	50A01PD00	50A02PF00
2	Adaptor	161470700	161470700	161470720	161470720	161470740	161470740	161470760
23	Lifting bracket	-	-	-	-	-	-	-
26	Coupling	KL10ABC	KL10ABC	KL10ABD	KL10ABD	KL10ABE	KL10ABE	KL10ABF
27	Coupling guard	KL33AAM	KL33AAM	KL33AAN	KL33AAN	KL33AAP	KL33AAP	KL33AAQ

### Wear Parts kit

up to model (->)	-> 1SV10	-> 1SV20	-> 1SV27	-> 1SV35
*34 Wear parts	1 bearing	2 bearing	3 bearing	4 bearing

### Mechanical seal Kit : Mech seal D12 + sleeve OR

*20A	Materials ->	Q1BEGG	KL01AAD	Std -> Seal Q1BEGG - OR EPDM sleeve / Unbalanced
		Q1Q1EGG	KL01AC7	
		Q1BVGG	KL01AAG	
		Q1Q1VGG	KL01AC9	
		Q1CTGG	KL01ADB	
		Q1Q1TGG	KL01ADD	

### Common, Single Unit and kit

3	Base	161431310	-> 1-3-5 SV N-V-K
4	Plugs	EPDM	KL34AAK
		FPM	KL34AAL
		FEP	KL34AAM
5	Upper holder	-	
*9	Impeller 1SV A316	150703602	
	First impeller 3SV A316	150703612	
13	Seal housing disc	150102922	
14	Pump body	151302322	-> 1-3SVN
15	Diffuser	152803112	
16	Last stage diffuser	152803012	
17	First stage box	152802912	
*21	OR	EPDM	KL02AA1
		FPM	KL02AA2
		FEP	KL02AA3
24	Motor flange	-	
25	Kit oval flange OR EPDM	-	
	Kit oval flange OR FPM	-	
30	Impellers retainer	KL41AAZ	

\* Recommended spare parts - Parti di ricambio consigliate

\* Pièces détachées conseillées - Empfohlene Ersatzteile

\*\* Motor spare parts: see motor lists - Parti di ricambio motore: vedi liste motore

\*\* Pièces détachées Moteur : voir listes moteur - Motor-Ersatzteile: gem. Motorlisten

### 3SVNL 2 Pole 60Hz (3SVNL/D: motors IE3 fitted)

ELP 2 P 60Hz										
F Version	3SV03NL0056	3SV04NL0076	3SV05NL0116	3SV06NL0116	3SV07NL0116	3SV08NL0156	3SV09NL0156	3SV10NL0226	3SV11NL0226	3SV12NL0226
M ~>	1016L637G	1016L638G	1016L639G	1016L640G	1016L641G	1016L642G	1016L643G	1016L644G	1016L645G	1016L646G
T(IE1-IE2) ~>	1016L504G	1016L505G	1016L506G	1016L507G	1016L508G	1016L509G	1016L510G	1016L511G	1016L512G	1016L513G
T(IE1-IE3) ~>	1016L504G	1016L505G	1016L506G	1016L507G	1016L508G	1016L509G	1016L510G	1016L511G	1016L512G	1016L513G
	1016L504G	1016LH05G	1016LH06G	1016LH07G	1016LH08G	1016LH09G	1016LH10G	1016LH11G	1016LH12G	1016LH13G
	3SV13NL0226	3SV14NL0226	3SV15NL0306	3SV17NL0306	3SV19NL0306	3SV21NL0406	3SV23NL0406			
M ~>	1016L647G	1016L648G								
T(IE2) ~>	1016L514G	1016L515G	1016L516G	1016L518G	1016L520G	1016L522G	1016L524G			
	1016LB07G	1016LB08G	1016LB09G	1016LB11G	1016LB13G	1016L522G	1016L524G			
T(IE3) ~>	1016LH14G	1016LH15G	1016LH16G	1016LH18G	1016LH20G	1016LH22G	1016LH24G			

#### Single Unit and Kit

10	Sleeve A316	166443042	166443062	166443072	166443082	166443102	166443122	166443142	166443152	166443162	166443182
		166443202	166443222	166443232	166443262	166443302	166443322	166443362			
11	Shaft A316	165050042	165050062	165050072	165050082	165050102	165050122	165050142	165050152	165050162	165050182
		165050202	165050222	165050232	165050262	165050302	165050322	165050362			
31	Tie rods SVN kit	KL22ANY	KL22ANZ	KL22ANO	KL22AN1	KL22AN2	KL22ACP	KL22AN4	KL22AN5	KL22AN6	KL22AN7
		KL22ACT	KL22AN9	KL22APA	KL22APC	KL22APD	KL22APE	KL22APG			

#### Motor, Coupling, Motor adaptor

Motor power kW >	0,55	0,75	1,1	1,1	1,1	1,5	1,5	2,2	2,2	2,2
	2,2	2,2	3,0	3,0	3,0	4,0	4,0			

**1	kW >	0,55	0,75	1,1	1,5	2,2	3,0	4,0
	Motor 2P, 1 ~>	107231040	107231100	107231120	107231140	50004FD00		
	Motor 2P, 3-, IE2 since 0,75kW >	107230080	107230153	107230503	50000PD00	50001PD00	50002PF00	50008PG00
		107230080	107230153	107230503	107240010	107240510	107241010	50008PG00
	Motor 2P, 3-, IE3 since 0,75kW >	107230080	107234001	107234011	107234021	50A01PD00	50A02PF00	50A08PLO0
2	Adaptor	161470700	161470720	161470720	161470740	161470740	161470760	161470760
23	Lifting bracket	-	-	-	-	-	-	-
26	Coupling	KL10ABC	KL10ABD	KL10ABD	KL10ABE	KL10ABE	KL10ABF	KL10ABK
27	Coupling guard	KL33AAM	KL33AAN	KL33AAN	KL33AAP	KL33AAP	KL33AAQ	KL33AAQ

#### Wear Parts kit

up to model (->)	-> 3SV10	-> 3SV20	-> 3SV27
	1 bearing	2 bearing	3 bearing
*34 Wear parts	KL35AEX	KL35AEY	KL35AEZ

#### Mechanical seal Kit : Mech seal D12 + sleeve OR

*20A	Materials ->	Q1BEGG	KL01AAD	Std -> Seal Q1BEGG - OR EPDM Sleeve / Unbalanced
		Q1Q1EGG	KL01AC7	
		Q1BVGG	KL01AAG	
		Q1Q1VGG	KL01AC9	
		Q1CTGG	KL01ADB	
		Q1Q1TGG	KL01ADD	

#### Common, Single Unit and kit

3	Base	161431310	-> 1-3-5 SV N-V-K
4	Plugs	EPDM	KL34AAK
		FPM	KL34AAL
		FEP	KL34AAM
5	Upper holder	-	
*9	Impeller 3SV A316	150703612	
	First impeller 5SV A316	150703622	
13	Seal housing disc	150102922	
14	Pump body	151302322	-> 1-3SV N
15	Diffuser	152803112	
16	Last stage diffuser	152803012	
17	First stage box	152803302	Low NPSH stage
*21	OR	EPDM	KL02AA1
		FPM	KL02AA2
		FEP	KL02AA3
24	Motor flange	-	
25	Kit oval flange OR EPDM	-	
	Kit oval flange OR FPM	-	
30	Impellers retainer	KL41AAZ	

\* Recommended spare parts - Parti di ricambio consigliate

\* Pièces détachées conseillées - Empfohlene Ersatzteile

\*\* Motor spare parts: see motor lists - Parti di ricambio motore: vedi liste motore

\*\* Pièces détachées Moteur : voir listes moteur - Motor-Ersatzteile: gem. Motorlisten

1-22SVNL\_6\_June12\_EdC

## 5SVNL 2 Pole 60Hz (5SVNL/D: motors IE3 fitted)

ELP 2 P 60		5SV03NL0116	5SV04NL0156	5SV05NL0156	5SV06NL0226	5SV07NL0226	5SV08NL0226	5SV09NL0306	5SV10NL0306	5SV11NL0306	5SV12NL0406
F Version	M ~>	1016L655G	1016L656G	1016L657G	1016L658G	1016L659G	1016L660G	1016L661G			
	T(IE2) ~>	1016L531G	1016L532G	1016L533G	1016L534G	1016L535G	1016L536G	1016L537G	1016L538G	1016L539G	1016L540G
T(IE3) ~>	M ~>	1016L531G	1016L532G	1016LB18G	1016LB19G	1016LB20G	1016LB21G	1016LB22G	1016LB23G	1016LB24G	1016LB25G
	T(IE2) ~>	1016LH31G	1016LH32G	1016LH33G	1016LH34G	1016LH35G	1016LH36G	1016LH37G	1016LH38G	1016LH39G	1016LH40G
M ~>	M ~>	5SV13NL0406	5SV14NL0406	5SV15NL0406	5SV16NL0406	5SV17NL0556	5SV19NL0556	5SV21NL0556	5SV23NL0756		
	T(IE2) ~>	1016L541G	1016L542G	1016L543G	1016L544G	1016L545G	1016L547G	1016L549G	1016L551G		
T(IE3) ~>	T(IE3) ~>	1016LH41G	1016LH42G	1016LH43G	1016LH44G	1016LH45G	1016LH47G	1016LH49G	1016LH51G		

### Single Unit and Kit

10 Sleeve A316	166443052	166443072	166443092	166443112	166443132	166443152	166443172	166443192	166443212	166443232
	166443252	166443272	166443292	166443312	166443332	166443372	166443412	166443452		
11 Shaft A316	165050052	165050072	165050092	165050112	165050132	165050152	165050172	165050192	165050212	165050232
	165050252	165050272	165050292	165050312	165050332	165050372	165050412	165050452		
31 Tie rods SVN kit	KL22AP1	KL22AN0	KL22AP2	KL22AP3	KL22AP4	KL22AN5	KL22AP5	KL22AP6	KL22AP7	KL22APA
	KL22AP8	KL22AP9	KL22AQA	KL22AQB	KL22AQL	KL22AQM	KL22AQD	KL22AQE		

### Motor, Coupling, Motor adaptor

Motor power kW >	1,1	1,5	1,5	2,2	2,2	2,2	3,0	3,0	3,0	4,0
	4,0	4,0	4,0	4,0	5,5	5,5	5,5	7,5		

*** kW >	1,1	1,5	2,2	3,0	4,0	5,5	7,5
Motor 2P, 1 ~>	107231120	107231140	50004FD00				
Motor 2P, 3-, IE2 since 0,75kW >	107230503	50000PD00	50001PD00	50002PF00	50008PG00	50013PE00	50017PB00
	107230503	107240010	107240510	<b>107241010</b>	50008PG00	50013PE00	50017PB00
Motor 2P, 3-, IE3 since 0,75kW >	107234011	<b>107234021</b>	50A01PD00	50A02PF00	50A08PL00	50A13PE00	50A17PB00
2 Adaptor	161470720	161470740	161470740	161470760	161470760	161470760	161470860
23 Lifting bracket	-	-	-	-	-	161441050	161441050
26 Coupling	KL10ABD	KL10ABE	KL10ABE	KL10ABF	KL10ABK	KL10ABL	KL10ABZ
27 Coupling guard	KL33AAN	KL33AAP	KL33AAP	KL33AAQ	KL33AAQ	KL33AAQ	KL33AAU

### Wear Parts kit

up to model (->)	-> 5SV08	-> 5SV16	-> 5SV22	-> 5SV28	
	1 bearing	2 bearing	3 bearing	4 bearing	
*34 Wear parts	KL35AE2	KL35AE3	KL35AE4	KL35AE5	
First spacer 5SV A316	162503912	162503912	162503912	162503912	Low NPSH spacer

### Mechanical seal Kit : Mech seal D12 + sleeve OR

*20/ Materials ->	Q1BEGG	KL01AAD	Std -> Seal Q1BEGG - OR Sleeve EPDM / Unbalanced
	Q1Q1EGG	KL01AC7	
	Q1BVGG	KL01AAG	
	Q1Q1VGG	KL01AC9	
	Q1CTGG	KL01ADB	
	Q1Q1TGG	KL01ADD	

### Common, Single Unit and kit

3 Base	161431310	-> 1-3-5 SV N-V-K
4 Plugs	EPDM	KL34AAK
	FPM	KL34AAL
	FEP	KL34AAM
5 Upper holder	-	
*9 Impeller 5SV A316	150703622	
	150703712	Low NPSH impeller
13 Seal housing disc	150102922	
14 Pump body	151302402	-> 5SV N
15 Diffuser	152803122	
16 Last stage diffuser	152803022	
17 First stage box	152803312	Low NPSH stage
*21 OR	EPDM	KL02AA1
	FPM	KL02AA2
	FEP	KL02AA3
24 Motor flange	161050700	1-3-5SV 5,5 kW
25 Kit oval flange OR EPDM	-	
	-	
30 Impellers retainer	KL41AAZ	

\* Recommended spare parts - Parti di ricambio consigliate

\* Pièces détachées conseillées - Empfohlene Ersatzteile

\*\* Motor spare parts: see motor lists - Parti di ricambio motore: vedi liste motore

\*\* Pièces détachées Moteur : voir listes moteur - Motor-Ersatzteile: gem. Motorlisten

## 10SVNL 2 Pole 60Hz (10SVNL/D: motors IE3 fitted)

ELP 2P 60											
F Version M -> T(IE2) -> T(IE3) -> M -> T(IE2) -> T(IE3) ->	10SV03NL030	10SV04NL030	10SV05NL040	10SV06NL055	10SV07NL055	10SV08NL055	10SV09NL075	10SV10NL075	10SV11NL075	10SV13NL110	
	1016L668G										
	1016L558G	1016L559G	1016L560G	1016L561G	1016L562G	1016L563G	1016L564G	1016L565G	1016L566G	1016L568G	
	1016LB31G	1016LB32G	1016L560G	1016L561G	1016L562G	1016L563G	1016L564G	1016L565G	1016L566G	1016L568G	
	1016LH58G	1016LH59G	1016LH60G	1016LH61G	1016LH62G	1016LH63G	1016LH64G	1016LH65G	1016LH66G	1016LH68G	
	<b>10SV15NL1106</b>										

### Single Unit and Kit

10	Sleeve A316	166444032 166444192	166444042	166444062	166444072	166444082	166444102	166444112	166444122	166444142	166444162
11	Shaft A316	165051032 165051192B	165051042	165051062	165051072	165051082	165051102	165051112	165051122	165051142	165051162B
31	Tie rods SVN K	KL22AC4 KL22ARB	KL22AQW	KL22AQY	KL22AQZ	KL22AQ0	KL22AQ2	KL22AC9	KL22AQ4	KL22AQ6	KL22AQ8

### Motor, Coupling, Motor Adaptor

Motor power kW >	3,0	3,0	4,0	5,5	5,5	5,5	7,5	7,5	7,5	11,0
------------------	-----	-----	-----	-----	-----	-----	-----	-----	-----	------

**1	kW >	3,0	4,0	5,5	7,5	11,0
	Motor 2P, 1 ~>					
	Motor 2P, 3~IE2 since 0,75kW	50002PF00	50008PG00	50013PE00	50017PB00	50019PE00
		<b>107241010</b>	50008PG00	50013PE00	50017PB00	50019PE00
	Motor 2P, 3~IE3 since 0,75kW	50A02PF00	50A08PL00	50A13PE00	50A17PB00	50A19PE00
2	Adaptor	161470760	161470760	161470760	161470860	161470880
23	Lifting bracket	-	-	161441050	161441050	161441060
26	Coupling	KL10ABF	KL10ABK	KL10ABL	KL10ABZ	KL10AB0
27	Coupling guard	KL33AAQ	KL33AAQ	KL33AAQ	KL33AAU	KL33AAU

### Wear Parts Kit

	->10SV09	->10SV16	
up to model (->)	1 bearing	2 bearing	
*34 Wear parts	KL35AE7	KL35AE8	
First spacer 10SV A316	162503922	162503922	Low NPSH spacer
Impeller spacer 10SV A316	162503952	162503952	Low NPSH spacer

### Mechanical seal Kit : Mech seal D16 + OR

*20A	Materials->	<b>Q1BEGG</b>	KL01AAE	Std -> Seal Q1BEGG - sleeve OR EPDM / Unbalanced : 10-15-22SV < / = 4 kW
		<b>Q1Q1EGG</b>	KL01AC8	
		<b>Q1BVGG</b>	KL01AAH	
		<b>Q1Q1VGG</b>	KL01ADA	
		<b>Q1CTGG</b>	KL01ADC	
		<b>Q1Q1TGG</b>	KL01ADE	
*20	Materials->	<b>Q1BEGG</b>	KL01AD7	Std -> Seal Q1BEGG - upper holder OR EPDM / Balanced : 10-15-22SV = / > 5,5 kW
		<b>Q1Q1EGG</b>	KL01AD3	
		<b>Q1BVGG</b>	KL01AD2	
		<b>Q1Q1VGG</b>	KL01AD4	
		<b>Q1CTGG</b>	KL01AD9	
		<b>Q1Q1TGG</b>	KL01AEA	

### Common, Single Unit and Kit

3	Base	161431330	-> 10SV N - C
4	Plugs	EPDM	KL34AAK
		FPM	KL34AAL
		FEP	KL34AAM
5	Upper holder	-	Up to 4,0 kW included
		160103722	Over 5,5 kW
		160103742	Part holed for tap
*9	Impeller10 SV A316	150703632	
	First impeller 15SV A316	150703642	
13	Seal housing disc	150102942	Up to 4,0 kW included
		150102962	Over 5,5 kW
14	Pump body	151302452	-> 10SVN PN 40
15	Diffuser	152803132	
16	Last stage diffuser	152803032	
17	First stage box	152803322	Low NPSH stage
*21	OR	EPDM	KL02AA4
		FPM	KL02AA5
		FEP	KL02AA6
24	Motor flange	-	
25	Kit oval flange OR EPDM	-	
	Kit oval flange OR FPM	-	
30	Impellers retainer	KL41AA0	Unbalanced : 10-15-22SV < / = 4 kW
30	Bush seal kit	KL41AA2	Balanced : 10-15-22SV = / > 5,5 kW

\* Recommended spare parts - Parti di ricambio consigliate

\* Pièces détachées conseillées - Empfohlene Ersatzteile

\*\* Motor spare parts: see motor lists - Parti di ricambio motore: vedi liste motore

\*\* Pièces détachées Moteur : voir listes moteur - Motor-Ersatzteile: gem. Motorlisten

## 15SVNL 2 Pole 60Hz (15SVNL/D: motors IE3 fitted)

ELP 2P 60	15SV02NL04	15SV03NL05	15SV04NL07	15SV05NL11	15SV06NL11	15SV07NL11	15SV08NL15	15SV09NL15	15SV10NL15	15SV11NL18
F Version										
M ->										
T(IE2) ->	1016L576G	1016L577G	1016L578G	1016L579G	1016L580G	1016L581G	1016L582G	1016L583G	1016L584G	1016L585G
	1016LB38G	1016L577G	1016L578G	1016L579G	1016L580G	1016L581G	1016L582G	1016L583G	1016L584G	1016L585G
T(IE3) ->	1016LH76G	1016LH77G	1016LH78G	1016LH79G	1016LH80G	1016LH81G	1016LH82G	1016LH83G	1016LH84G	1016LH85G
	15SV12NL1856									
M ->										
T(IE2) ->	1016L586G									
T(IE3) ->	1016LH86G									

### Single Unit and Kit

10	Sleeve A316	166444032	166444052	166444072	166444092	166444112	166444132	166444152	166444172	166444192	166444212
		166444232									
11	Shaft A316	165051032	165051052	165051072	165051092	165051122B	165051132B	165051152B	165051172B	165051192B	165051212B
		165051232B									
31	Tie rods SVN Kit	KL22AC4	KL22AQX	KL22AQZ	KL22AQ1	KL22AQ3	KL22AQ5	KL22AQ7	KL22AQ9	KL22ARB	KL22ARD
		KL22ARF									

### Motor, Coupling, Motor Adaptor

Motor power kW >	4,0	5,5	7,5	11,0	11,0	11,0	15,0	15,0	15,0	18,5
18,5										

**1	kW >	4,0	5,5	7,5	11,0	15,0	18,5
	Motor 2P, 1 ~>						
	Motor 2P, 3-, IE2 since 0,75kW	50008PG00	50013PE00	50017PB00	50019PE00	50024PB00	50025PB00
		50008PG00	50013PE00	50017PB00	50019PE00	50024PB00	50025PB00
	Motor 2P, 3-, IE3 since 0,75kW	50A08PL00	50A13PE00	50A17PB00	50A19PE00	50A24PB00	50A25PB00
2	Adaptor	161470760	161470760	161470860	161470880	161470880	161470880
23	Lifting bracket	-	161441050	161441050	161441060	161441060	161441060
26	Coupling	KL10ABK	KL10ABL	KL10ABZ	KL10AB0	KL10AB0	KL10AB0
27	Coupling guard	KL33AAQ	KL33AAQ	KL33AAU	KL33AAU	KL33AAU	KL33AAU

Wear Parts Kit	->15SV06	->15SV11	->15SV17	
up to model (->)	1 bearing	2 bearing	3 bearing	
*34 Wear parts	KL35AFA	KL35AFB	KL35AFC	
First spacer 15-22SV A316	162503932	162503932	162503932	Low NPSH spacer
Impeller spacer 15-22SV A316	162503962	162503962	162503962	Low NPSH spacer
Impeller screw A316	002617895	002617895	002617895	Screw M10X30 A4-70 Hex

### Mechanical seal Kit : Mech seal D16 + OR

*20A	Materials->	Q1BEGG	KL01AAE	Std -> Seal Q1BEGG - sleeve OR EPDM / Unbalanced : 10-15-22SV < / = 4 kW
		Q1Q1EGG	KL01AC8	
		Q1BVGG	KL01AAH	
		Q1Q1VGG	KL01ADA	
		Q1CTGG	KL01ADC	
		Q1Q1TGG	KL01ADE	
*20	Materials->	Q1BEGG	KL01AD7	Std -> Seal Q1BEGG - upper holder OR EPDM / Balanced : 10-15-22SV = / > 5,5 kW
		Q1Q1EGG	KL01AD3	
		Q1BVGG	KL01AD2	
		Q1Q1VGG	KL01AD4	
		Q1CTGG	KL01AD9	
		Q1Q1TGG	KL01AEA	

### Common, Single Unit and Kit

3	Base	161431350	-> 15-22SV
4	Plugs	EPDM	KL34AAK
		FPM	KL34AAL
		FEP	KL34AAM
5	Upper holder	-	Up to 4,0 kW included
		160103722	Over 5,5 kW
		160103742	Part holed for tap
*9	Impeller 15SV A316	150703642	
	First impeller 15-22SV A316	150703722	Low NPSH impeller
13	Seal housing disc	150102942	Up to 4,0 kW included
		150102962	Over 5,5 kW
14	Pump body	151302602	-> 15SVN DN40
15	Diffuser	152803152	
16	Last stage diffuser	152803052	
17	First stage box	152803332	Low NPSH stage
*21	OR	EPDM	KL02AA4
		FPM	KL02AA5
		FEP	KL02AA6
24	Motor flange	-	
25	Kit oval flange OR EPDM	-	
	Kit oval flange OR FPM	-	
30	Impellers retainer	KL41AA0	Unbalanced : 10-15-22SV < / = 4 kW
30	Bush seal kit	KL41AA2	Balanced : 10-15-22SV = / > 5,5 kW

\* Recommended spare parts - Parti di ricambio consigliate

\* Pièces détachées conseillées - Empfohlene Ersatzteile

\*\* Motor spare parts: see motor lists - Parti di ricambio motore: vedi liste motore

\*\* Pièces détachées Moteur : voir listes moteur - Motor-Ersatzteile: gem. Motorlisten



## 22SVNL 2 Pole 60Hz (22SVNL/D: motors IE3 fitted)

ELP 2P 60										
F Version	22SV02NL055	22SV03NL075	22SV04NL110	22SV05NL110	22SV06NL150	22SV07NL150	22SV08NL150	22SV09NL185	22SV10NL2206	
M ->										
T(IE2) ->	1016L592G	1016L593G	1016L594G	1016L595G	1016L596G	1016L597G	1016L598G	1016L599G	1016L600G	
	1016L592G	1016L593G	1016L594G	1016L595G	1016L596G	1016L597G	1016L598G	1016L599G	1016L600G	
T(IE3) ->	1016LH92G	1016LH93G	1016LH94G	1016LH95G	1016LH96G	1016LH97G	1016LH98G	1016LH99G	1016LJ00G	

### Single Unit and Kit

10	Sleeve A316	166444032	166444052	166444072	166444092	166444112	166444132	166444152	166444172	166444192
11	Shaft A316	165051032	165051052	165051072	165051092B	165051112B	165051132B	165051152B	165051172B	165051192B
31	Tie rods SVN	KL22AC4	KL22AQX	KL22AQZ	KL22AQ1	KL22AC9	KL22AQ5	KL22AQ7	KL22AQ9	KL22ARB

### Motor, Coupling, Motor Adaptor

Motor power kW >	5,5	7,5	11,0	11,0	15,0	15,0	18,5	22,0
------------------	-----	-----	------	------	------	------	------	------

**1	kW >	5,5	7,5	11,0	15,0	18,5	22,0
	Motor 2P, 1 ~>						
	Motor 2P,3-,IE2 since 0,75kW	50013PE00	50017PB00	50019PE00	50024PB00	50025PB00	50026PE00
		50013PE00	50017PB00	50019PE00	50024PB00	50025PB00	50026PE00
	Motor 2P,3-,IE3 since 0,75kW	50A13PE00	50A17PB00	50A19PE00	50A24PB00	50A25PB00	50A26PE00
2	Adaptor	161470760	161470860	161470880	161470880	161470880	161453660
23	Lifting bracket	161441050	161441050	161441060	161441060	161441060	161441060
26	Coupling	KL10ABL	KL10ABZ	KL10AB0	KL10AB0	KL10AB0	KL10AAE
27	Coupling guard	KL33AAQ	KL33AAU	KL33AAU	KL33AAU	KL33AAU	KL33AAC

### Wear Parts Kit

		->22SV06	->22SV11
up to model (->)		1 bearing	2 bearing
*34	Wear parts	KL35AFA	KL35AFB
	First spacer 15-22SV A316	162503932	162503932
	Impeller spacer 15-22SV A316	162503962	162503962
	Impeller screw A316	002617895	002617895
			Screw M10X30 A4-70 Hex

### Mechanical seal Kit : Mech seal D16 + OR

*20A	Materials->	Q1BEGG	KL01AAE	Std -> Seal Q1BEGG - sleeve OR EPDM / Unbalanced : 10-15-22SV < / = 4 kW
		Q1Q1EGG	KL01AC8	
		Q1BVGG	KL01AAH	
		Q1Q1VGG	KL01ADA	
		Q1CTGG	KL01ADC	
		Q1Q1TGG	KL01ADE	
*20	Materials->	Q1BEGG	KL01AD7	Std -> Seal Q1BEGG - upper holder OR EPDM / Balanced : 10-15-22SV = / > 5,5 kW
		Q1Q1EGG	KL01AD3	
		Q1BVGG	KL01AD2	
		Q1Q1VGG	KL01AD4	
		Q1CTGG	KL01AD9	
		Q1Q1TGG	KL01AEA	

### Common, Single Unit and Kit

3	Base		161431350	-> 15-22SV
4	Plugs	EPDM	KL34AAK	
		FPM	KL34AAL	
		FEP	KL34AAM	
5	Upper holder		-	Up to 4,0 kW included
			160103722	Over 5,5 kW
			160103742	Part holed for tap
*9	Impeller 22SV A316		150703652	
	First impeller 15-22SV A316		150703722	Low NPSH impeller
13	Seal housing disc		150102942	Up to 4,0 kW included
	Seal housing disc		150102962	Over 5,5 kW
14	Pump body		151302602	-> 22SVN DN40
15	Diffuser		152803152	
16	Last stage diffuser		152803052	
17	First stage box		152803332	Low NPSH stage
*21	OR	EPDM	KL02AA4	
		FPM	KL02AA5	
		FEP	KL02AA6	
24	Motor flange		-	
25	Kit oval flange OR EPDM		-	
	Kit oval flange OR FPM		-	
30	Impellers retainer		KL41AA0	

\* Recommended spare parts - Parti di ricambio consigliate

\* Pièces détachées conseillées - Empfohlene Ersatzteile

\*\* Motor spare parts: see motor lists - Parti di ricambio motore: vedi liste motore

\*\* Pièces détachées Moteur : voir listes moteur - Motor-Ersatzteile: gem. Motorlisten