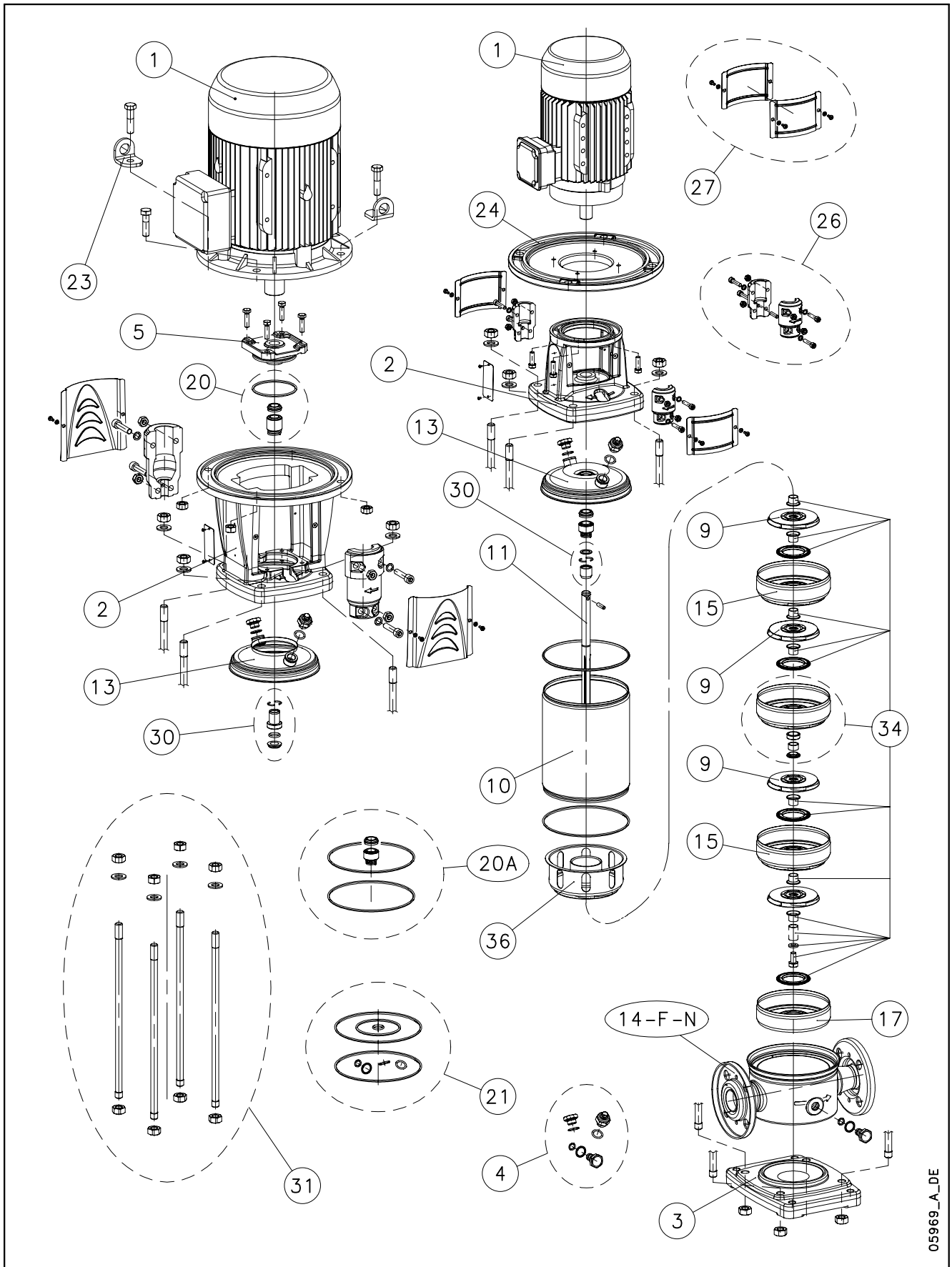


1, 3, 5, 10, 15, 22 SV.H (150°C)



05969_A_DE

Lowara, Vogel Pumpen are trademarks of Xylem Inc. or one of its subsidiaries. Goulds is a registered trademark of Goulds Pumps, Inc. and is used under license.

N.	Descrizione It	Description en	Description fr	Beschreibung de	Descripción es	Descrição pt
	1-22SV..H (150 °C)					
1	Motore	Motor	Moteur	Motor	Motor	Motor
2	Lanterna	Adaptor	Lanterne	Motorlaterne	Adaptador	Adaptador
3	Base	Basement	Base	Untersatz	Base	Base
4	Tappi	Plugs	Bouchons	Stopfen	Tapones	Tampões
5	Portatenuta superiore	Upper holder	Disque supérieure	Oberer dichtungsdeckel	Disco superior	Disco superior
9	Girante	Impeller	Roue	Laufrad	Rodete	Impulsor
10	Camicia	Sleeve	Chemise	Gehäuse	Camisa	Camisa
11	Albero	Shaft	Arbre	Welle	Árbol	Veio
13	Disco porta tenuta	Seal housing disc	Disque de garniture	Dichtungsdeckel	Disco de alojamiento sello	Disco porta-vedante
14	Corpo pompa	Pump body	Corps de pompe	Pumpengehäuse	Caja bomba	Corpo da bomba
15	Diffusore	Diffuser	Diffuseur	Diffusor	Difusor	Difusor
17	Scatola stadio iniziale	Initial stage box	Box premier étage	Erste Stufe Diffusor	Caja etapa inicial	Carcaça primeira célula
20 - 20A	Kit tenuta mecc. + OR	Mechanical seal + OR kit	Kit garniture mec. + joints toriques	Gleitringdichtung + O-Ring [Satz]	Kit sello mec. + junta tórica	Kit vedante mec. + OR
21	Kit guarnizioni OR	O ring kit	Kit joints toriques	Dichtungssatz	Kit juntas tóricas	Kit guarnições OR
23	Staffa sollevamento	Lifting bracket	Support de levage	Hebeösen	Soporte de elevación	Suporte de suspensão
24	Flangia motore	Motor flange	Bride moteur	Motorflansch	Brida motor	Flange motor
26	Kit coppia di semigiunti	Pair of half coupling kit	Kit paire de demi-manchons	Kupplung [Satz]	Kit par de semijuntas	Kit par de semi-juntas
27	Kit protezione giunto	Coupling guard kit	Kit protection manchon	Kupplungsschutz [Satz]	Kit protección junta	Kit protecção junta
30	Kit bussola tenuta	Bush seal kit	Kit douille garniture	Gleitringdichtungsarretierung und mitnehmer	Kit casquillo sello	kit bucha vedante
31	Kit tiranti	Tie rods kit	Kit tirants	Zugstangen [Satz]	Kit tirantes	Kit tirantes
34	Kit parti di usura	Wear parts kit	Kit parties d'usure	Verschleißteile [Satz]	Kit piezas de desgaste	Kit peças desgastáveis
36	Diffusore finale HT	Final diffuser HT	Diffuseur dernier étage HT	Enddiffusor HT	Difusor final HT	Difusor final HT
HT	Alta Temperatura	High Temperature	Haute Température	Hochtemperatur	Altas Temperaturas	Temperatura Elevada
N.	Beschrijving nl	Περιγραφή el	Açıklama tr	Kuvaus fi	Описание ru	Opis pl
	1-22SV..H (150 °C)					
1	Motor	Πλήρης κινητήρας	Motor	Moottori	Двигатель	Silnik
2	Lantaarnstuk	Μπρακέτο	Adaptör	Sovitin	Крестовина	Piasta
3	Pompvoet	Βάση	Kaide	Perusta	Основание	Podstawa
4	Pluggen	Σετ ταπών	Tapalar	Tulpat	Пробки	Zatyczki
5	Bovenste plaat	Ανώτερος Δίσκος	Üst disk	Ylempi levy	Верхний держатель дисков	Tarcza górna
9	Waaier	στροφέιο	Pompa rotoru	Juoksupöytä	рабочее колесо	Wirnik
10	Mantel	Κέλυφος	Gömlek	Muhvi	Муфта	Plaszcz
11	As	Άξονας	Mil	Akseli	Вал	Wal
13	Dichtingssteunplaat	Δίσκος μηχανικού στυπιοθλίπτη	Sızdırmazlık elemanı disk	Tiivisteenn kannatuslevy	Пластина держателя прокладки	Tarcza uszczelki
14	Pomphuis	Σώμα αντλίας	Pompa gövdesi	Pumpun runko	Корпус насоса	Korpus pompy
15	Diffusor	Πτερύγιο εκτροπής	Difüzör	Diffusori	Диффузор	Dyfuzor
17	Kast eerste trap	Πρώτο πτερύγιο εκτροπής	İlk kademe kutusu	Ensivaiheen laatikko	Коробка начальной стадии	Skrzynka początkowego stadium
20-20A	Set mech. asafdichting + O-ring	Μηχανικός στυπιοθλίπτης και ροδέλες στεγανοποίησης	Mekanik salmastra kiti + O-Ring	Mek. tiiviste + O-rengassarja	Комплект мех.прокладки + OR	Zestaw uszcz. mech. + OR
21	Set O-ringafdichtingen	Σετ ροδέλες στεγανοποίησης	O-Ring kiti	O-rengassarja	Комплект кольцевых прокладок OR	Zestaw uszczelki OR
23	Hijs steun	Άρση αγκύλη	Dirsek Kaldırma	Nosto ylätuki	Подъемные кронштейн	Podnoszenia wspornik
24	Motorflens	Μπρακέτο κινητήρα	Motor flanşı	Moottorin laippa	Фланец двигателя	Końierz silnika
26	Set koppelingshelften	Σετ σταθερού συνδέσμου	Çift yarım manşon kiti	Liitinsarja	Комплект пары полумуфт	Zestaw pary półzłączy
27	Set koppelingsbescherming	Καλύμματα προστασίας σταθερού συνδέσμου	Manşon koruma kiti	Liitoksen suojuussarja	Комплект защиты муфт	Zestaw ochrony złączy
30	Set afdichtingsbus	Σετ κουζινέτου μηχανικού στυπιοθλίπτη	Sızdırmazlık elemanı burcu kiti	Holkki ja tiiviste	Комплект втулки уплотнения	Zestaw busoli uszczel.
31	Set trekstangen	Σετ ράβδων σύνδεσης	Gergi çubuğu kiti	Vetotankosarja	Комплект тяг	Zestaw napinaczy
34	Set slijtonderdelen	Σετ δακτυλίων τριβής	Aşınma parçaları kiti	Kulumisiosien sarja	Комплект изнашиваемых частей	Zestaw części podl. zużyciu
36	Diffusor laatste trap HT	Τελευταίο πτερύγιο εκτροπής HT	Son difüzör HT	Loppuvaiheen diffusori HT	Конечный диффузор HT	Dyfuzor końcowy HT
HT	Hoge Temperaturen	Υψηλής θερμοκρασίας	Yüksek isi	Korkea lämpötila	Высокая температура	Wysokiej Temperatury

1SV NH 2 Pole 60Hz (1SVNH/D: motors IE3 fitted)

ELP 2 P 60Hz										
N Version	1SV02NH0036	1SV03NH0036	1SV04NH0036	1SV05NH0056	1SV06NH0056	1SV07NH0076	1SV08NH0076	1SV09NH0076	1SV10NH0116	1SV11NH0116
M ~>	1016L606J	1016L607J	1016L608J	1016L609J	1016L610J	1016L611J	1016L612J	1016L613J	1016L614J	1016L615J
T(IE1-IE2) ~>	1016L471J	1016L472J	1016L473J	1016L474J	1016L475J	1016L476J	1016L477J	1016L478J	1016L479J	1016L480J
T(IE1-IE3) ~>	1016L471J	1016L472J	1016L473J	1016L474J	1016L475J	1016L476J	1016L477J	1016L478J	1016L479J	1016L480J
M ~>	1016L616J	1016L617J	1016L619J	1016L621J	1016L622J	1016L624J	1016L626J	1016L628J	1016L630J	
T(IE2) ~>	1016L481J	1016L482J	1016L484J	1016L486J	1016L487J	1016L489J	1016L491J	1016L493J	1016L495J	
T(IE3) ~>	1016L481J	1016L482J	1016L483J	1016L485J	1016L486J	1016L488J	1016L490J	1016L492J	1016L494J	
	1016LG81J	1016LG82J	1016LG84J	1016LG86J	1016LG87J	1016LG89J	1016LG91J	1016LG93J	1016LG95J	

Single Unit and Kit

10	Sleeve N	166443062	166443062	166443072	166443082	166443102	166443122	166443142	166443152	166443162	166443182
		166443202	166443222	166443242	166443282	166443302	166443322	166443362	166443392	166443422	
11	Shaft A316	165050062B	165050062B	165050072B	165050082B	165050102B	165050122B	165050142B	165050152B	165050162B	165050182B
		165050202B	165050222B	165050242B	165050282B	165050302B	165050322B	165050362B	165050392B	165050422B	
31	Tie rods SVN kit	KL22ANZ	KL22ANZ	KL22AN0	KL22AN1	KL22AN2	KL22ACP	KL22AN4	KL22AN5	KL22AN6	KL22AN7
		KL22ACT	KL22AN9	KL22APB	KL22ACW	KL22APD	KL22APE	KL22APG	KL22APH	KL22APK	

Motor, Coupling, Motor adaptor

Motor power kW >	0,37	0,37	0,37	0,55	0,55	0,75	0,75	0,75	1,1	1,1
	1,1	1,1	1,5	1,5	2,2	2,2	2,2	2,2	2,2	

**1	kW >	0,37	0,55	0,75	1,1	1,5	2,2
	Motor 2P, 1 ~>	107231020	107231040	107231100	107231120	107231140	50004FD00
	Motor 2P,3~, IE2 since 0,75kW	107230060	107230080	107230153	107230503	50000PD00	50001PD00
		107230060	107230080	107230153	107230503	107240010	107240510
	Motor 2P,3~, IE3 since 0,75kW	107230060	107230080	107234001	107234011	107234011	50A01PD00
2	Adaptor	161470700	161470700	161470720	161470720	161470740	161470740
23	Lifting bracket	-	-	-	-	-	-
26	Coupling	KL10ABC	KL10ABC	KL10ABD	KL10ABD	KL10ABE	KL10ABE
27	Coupling guard	KL33AAM	KL33AAM	KL33AAN	KL33AAN	KL33AAP	KL33AAP

Wear Parts kit

up to model (->)	-> 1SV10	-> 1SV20	-> 1SV27	
	1 bearing	2 bearing	3 bearing	
*34	Wear parts	KL35AEX	KL35AEY	KL35AEZ

Mech seal Kit : Seal + sleeve OR

*20A	Materials ->	Q1AEGG	KL01AES	Mech seal std Balanced HT D12 + OR HT
		Q1AVGG	KL01AET	
		Q1Q1VGG	KL01AED	

Common, Single Unit and kit

3	Base	161431310	-> 1-3-5SV	
4	Plugs	EPDM HT	KL34AAX	Kit common with 1-22SV...B
5	Upper holder	-		
*9	Impeller 1SV A304	150703602		
13	Seal housing disc	150102922		
14	Pump body	151302322	-> 1-3SVN	
15	Diffuser	152803112		
17	First stage box	152802912		
*21	OR	EPDM HT	KL02AB5	
24	Motor flange	-		
30	Bush seal kit EPDM HT	KL41AA4		
36	Final diffuser HT	152803352		

* Recommended spare parts - Parti di ricambio consigliate

* Pièces détachées conseillées - Empfohlene Ersatzteile

** Motor spare parts: see motor lists - Parti di ricambio motore: vedi liste motore

** Pièces détachées Moteur : voir listes moteur - Motor-Ersatzteile: gem. Motorlisten

3SV NH 2 Pole 60Hz (3SVNH/D: motors IE3 fitted)

ELP 2 P 60Hz										
N Version	3SV02NH003	3SV03NH005	3SV04NH007	3SV05NH011	3SV06NH011	3SV07NH011	3SV08NH015	3SV09NH015	3SV10NH022	3SV11NH022
M ->	1016L636J	1016L637J	1016L638J	1016L639J	1016L640J	1016L641J	1016L642J	1016L643J	1016L644J	1016L645J
T(IE1-IE2) ->	1016L503J	1016L504J	1016L505J	1016L506J	1016L507J	1016L508J	1016L509J	1016L510J	1016L511J	1016L512J
	1016L503J	1016L504J	1016L505J	1016L506J	1016L507J	1016L508J	1016L509J	1016L510J	1016L511J	1016L512J
T(IE1-IE3) ->	1016L503J	1016L504J	1016LH05J	1016LH06J	1016LH07J	1016LH08J	1016LH09J	1016LH10J	1016LH11J	1016LH12J
	1016L503J	1016L504J	1016LH05J	1016LH06J	1016LH07J	1016LH08J	1016LH09J	1016LH10J	1016LH11J	1016LH12J
	3SV12NH022	3SV13NH022	3SV14NH022	3SV15NH030	3SV17NH030	3SV19NH030	3SV21NH040			
M ->	1016L646J	1016L647J	1016L648J							
T(IE2) ->	1016L513J	1016L514J	1016L515J	1016L516J	1016L518J	1016L520J	1016L522J			
	1016LB06J	1016LB07J	1016LB08J	1016LB09J	1016LB11J	1016LB13J	1016L522J			
T(IE3) ->	1016LH13J	1016LH14J	1016LH15J	1016LH16J	1016LH18J	1016LH20J	1016LH22J			

Single Unit and Kit

10	Sleeve A316	166443062	166443062	166443072	166443082	166443102	166443122	166443142	166443152	166443162	166443182
		166443202	166443222	166443232	166443242	166443282	166443312	166443342			
11	Shaft A316	165050062B	165050062B	165050072B	165050082B	165050102B	165050122B	165050142B	165050152B	165050162B	165050182B
		165050202B	165050222B	165050232B	165050242B	165050282B	165050312B	165050342B			
31	Tie rods SVN kit	KL22ANZ	KL22ANZ	KL22AN0	KL22AN1	KL22AN2	KL22ACP	KL22AN4	KL22AN5	KL22AN6	KL22AN7
		KL22ACT	KL22AN9	KL22APA	KL22APB	KL22ACW	KL22AQB	KL22APF			

Motor, Coupling, Motor adaptor

Motor power kW >	0,37	0,55	0,75	1,1	1,1	1,1	1,5	1,5	2,2	2,2
	2,2	2,2	2,2	3,0	3,0	3,0	4,0			

**1	kW >	0,37	0,55	0,75	1,1	1,5	2,2	3,0	4,0
	Motor 2P, 1 ~>	107231020	107231040	107231100	107231120	107231140	50004FD00		
	Motor 2P,3~, IE2 since 0,75kW	107230060	107230080	107230153	107230503	50000PD00	50001PD00	50002PF00	50008PG00
		107230060	107230080	107230153	107230503	107240010	107240510	107241010	50008PG00
	Motor 2P,3~, IE3 since 0,75kW	107230060	107230080	107234001	107234011	107234011	50A01PD00	50A02PF00	50A08PL00
2	Adaptor	161470700	161470700	161470720	161470720	161470740	161470740	161470760	161470760
23	Lifting bracket	-	-	-	-	-	-	-	-
26	Coupling	KL10ABC	KL10ABC	KL10ABD	KL10ABD	KL10ABE	KL10ABE	KL10ABF	KL10ABK
27	Coupling guard	KL33AAM	KL33AAM	KL33AAN	KL33AAN	KL33AAP	KL33AAP	KL33AAQ	KL33AAQ

Wear Parts kit

up to model (->)	-> 3SV10	-> 3SV20	-> 3SV27
*34 Wear parts	1 bearing	2 bearing	3 bearing
	KL35AEX	KL35AEY	KL35AEZ

Mech seal Kit : Seal + sleeve OR

*20A	Materials ->	Q1AEGG	KL01AES	Mech seal std Balanced HT D12 + OR HT
		Q1AVGG	KL01AET	
		Q1Q1VGG	KL01AED	

Common, Single Unit and kit

3	Base	161431310	-> 1-3-5SV
4	Plugs	EPDM HT	KL34AAX
			Kit common with 1-22SV...B
5	Upper holder	-	
*9	Impeller 3SV A304	150703612	
13	Seal housing disc	150102922	
14	Pump body	151302322	-> 1-3SVN
15	Diffuser	152803112	
17	First stage box	152802912	
*21	OR	EPDM HT	KL02AB5
24	Motor flange	-	
30	Bush seal kit	KL41AA4	
36	Final diffuser HT	152803352	

* Recommended spare parts - Parti di ricambio consigliate

* Pièces détachées conseillées - Empfohlene Ersatzteile

** Motor spare parts: see motor lists - Parti di ricambio motore: vedi liste motore

** Pièces détachées Moteur : voir listes moteur - Motor-Ersatzteile: gem. Motorlisten

1-22SVNH_6_June12_EdA

5SV NH 2 Pole 60Hz (5SVNH/D: motors IE3 fitted)

ELP 2 P 60Hz		5SV02NH0056	5SV03NH0076	5SV04NH0116	5SV05NH0156	5SV06NH0156	5SV07NH0226	5SV08NH0226	5SV09NH0226	5SV10NH0306	5SV11NH0306
N Version	M ~>	1016L654J	1016L655J	1016L656J	1016L657J	1016L658J	1016L659J	1016L660J	1016L661J		
	T(IE1-IE2) ~>	1016L530J	1016L531J	1016L532J	1016L533J	1016L534J	1016L535J	1016L536J	1016L537J	1016L538J	1016L539J
	T(IE1-IE3) ~>	1016L530J	1016LH31J	1016LH32J	1016LH33J	1016LH34J	1016LH35J	1016LH36J	1016LH37J	1016LH38J	1016LH39J
	M ~>	5SV12NH0306	5SV13NH0406	5SV14NH0406	5SV15NH0406	5SV16NH0406	5SV17NH0556	5SV19NH0556	5SV21NH0556		
	T(IE2) ~>	1016L540J	1016L541J	1016L542J	1016L543J	1016L544J	1016L545J	1016L547J	1016L549J		
	T(IE3) ~>	1016LB25J	1016L541J	1016L542J	1016L543J	1016L544J	1016L545J	1016L547J	1016L549J		
		1016LH40J	1016LH41J	1016LH42J	1016LH43J	1016LH44J	1016LH45J	1016LH47J	1016LH49J		

Single Unit and Kit

10	Sleeve A316	166443052	166443072	166443082	166443112	166443132	166443152	166443172	166443192	166443212	166443232
		166443252	166443272	166443292	166443312	166443332	166443352	166443392	166443432		
11	Shaft A316	165050052B	165050072B	165050082B	165050112B	165050132B	165050152B	165050172B	165050192B	165050212B	165050232B
		165050252B	165050272B	165050292B	165050312B	165050332B	165050352B	165050392B	165050432B		
31	Tie rods SVN kit	KL22AP1	KL22AN0	KL22AP2	KL22AP3	KL22AP4	KL22AN5	KL22AP5	KL22AP6	KL22AP7	KL22APA
		KL22AP8	KL22AP9	KL22AQA	KL22AQB	KL22APE	KL22AQC	KL22APH	KL22AQN		

Motor, Coupling, Motor adaptor

Motor power	0,55	0,75	1,1	1,5	1,5	2,2	2,2	2,2	3,0	3,0
kW >	3,0	4,0	4,0	4,0	4,0	5,5	5,5	5,5		

**1	kW >	0,55	0,75	1,1	1,5	2,2	3,0	4,0	5,5
	Motor 2P, 1 ~>	107231040	107231100	107231120	107231140	50004FD00			
	Motor 2P,3-, IE2 since 0,75kW	107230080	107230153	107230503	50000PD00	50001PD00	50002PF00	50008PG00	50013PE00
		107230080	107230153	107230503	107240010	107240510	107241010	50008PG00	50013PE00
	Motor 2P,3-, IE3 since 0,75kW	107230080	107234001	107234011	107234011	50A01PD00	50A02PF00	50A08PL00	50A13PE00
2	Adaptor	161470700	161470720	161470720	161470740	161470740	161470760	161470760	161470760
23	Lifting bracket	-	-	-	-	-	-	-	161441050
26	Coupling	KL10ABC	KL10ABD	KL10ABD	KL10ABE	KL10ABE	KL10ABF	KL10ABK	KL10ABL
27	Coupling guard	KL33AAM	KL33AAN	KL33AAN	KL33AAP	KL33AAP	KL33AAQ	KL33AAQ	KL33AAQ

Wear Parts kit

	-> 5SV08	-> 5SV16	-> 5SV22
up to model (->)	1 bearing	2 bearing	3 bearing
*34 Wear parts	KL35AE2	KL35AE3	KL35AE4

Mech seal Kit : Seal + sleeve OR

*20A	Materials ->	Q1AEGG	KL01AES	Mech seal std Balanced HT D12 + OR HT
		Q1AVGG	KL01AET	
		Q1Q1VGG	KL01AED	

Common, Single Unit and kit

3	Base	161431310	-> 1-3-5SV
4	Plugs	EPDM HT	KL34AAX
5	Upper holder	-	
*9	Impeller 5SV A304	150703622	
13	Seal housing disc	150102922	
14	Pump body	151302402	-> 5SVN
15	Diffuser	152803122	
17	First stage box	152802922	
*21	OR	EPDM HT	KL02AB5
24	Motor flange	161050700	1-3-5SV 5,5 kW
30	Bush seal kit	KL41AA4	
36	Final diffuser HT	152803352	

* Recommended spare parts - Parti di ricambio consigliate

* Pièces détachées conseillées - Empfohlene Ersatzteile

** Motor spare parts: see motor lists - Parti di ricambio motore: vedi liste motore

** Pièces détachées Moteur : voir listes moteur - Motor-Ersatzteile: gem. Motorlisten

10SV NH 2 Pole 60Hz (10SVNH/D: motors IE3 fitted)

ELP 2P 60Hz										
N Version	10SV01NH007	10SV02NH014	10SV03NH022	10SV04NH030	10SV05NH040	10SV06NH040	10SV07NH055	10SV08NH055	10SV09NH075	10SV10NH075
M->	1016L666J	1016L667J	1016L668J							
T(IE2) ~>	1016L556J	1016L557J	1016L558J	1016L559J	1016L560J	1016L561J	1016L562J	1016L563J	1016L564J	1016L565J
	1016L556J	1016LB30J	1016LB31J	1016LB32J	1016L560J	1016L561J	1016L562J	1016L563J	1016L564J	1016L565J
T(IE3) ~>	1016LH56J	1016LH57J	1016LH58J	1016LH59J	1016LH60J	1016LH61J	1016LH62J	1016LH63J	1016LH64J	1016LH65J
	10SV11NH075	10SV13NH1106								
M->										
T(IE2) ~>	1016L566J	1016L568J								
T(IE3) ~>	1016LH66J	1016LH68J								

Single Unit and Kit

10	Sleeve F-T	166444020	166444020	166444030	166444040	166444060	166444070	166444080	166444100	166444110	166444120
		166444140	166444160								
11	Shaft A304	165051020B	165051020B	165051030B	165051040B	165051060B	165051070B	165051080B	165051100B	165051110B	165051120B
		165051140B	165051160B								
31	Tie rods SVF Kit	KL22AM2	KL22AM2	KL22AB4	KL22AM4	KL22AM6	KL22AM7	KL22AM8	KL22ANA	KL22AB9	KL22ANC
		KL22ANE	KL22ANG								

Motor, Coupling, Motor Adaptor

Motor power kW >	0,75	1,5	2,2	3,0	4,0	4,0	5,5	5,5	7,5	7,5
	7,5	11,0								

**1	kW >	0,75	1,5	2,2	3,0	4,0	5,5	7,5	11,0
	Motor 2P, 1 ~>	107231100	107231140	50004FD00					
	Motor 2P, 3~, IE2 since 0,75kW	107230153	50000PD00	50001PD00	50002PF00	50008PG00	50013PE00	50017PB00	50019PE00
		107230153	107240010	107240510	107241010	50008PG00	50013PE00	50017PB00	50019PE00
	Motor 2P, 3~, IE3 since 0,75kW	107234001	107234011	50A01PD00	50A02PF00	50A08PL00	50A13PE00	50A17PB00	50A19PE00
2	Adaptor	161470720	161470740	161470740	161470760	161470760	161470760	161470860	161470880
23	Lifting bracket	-	-	-	-	-	161441050	161441050	161441060
26	Coupling	KL10ABD	KL10ABE	KL10ABE	KL10ABF	KL10ABK	KL10ABL	KL10ABZ	KL10AB0
27	Coupling guard	KL33AAN	KL33AAP	KL33AAP	KL33AAQ	KL33AAQ	KL33AAQ	KL33AAU	KL33AAU

Wear Parts Kit

	->10SV09	->10SV16
up to model (->)	1 bearing	2 bearing
*34 Wear parts	KL35AE7	KL35AE8

Mechanical seal Kit : Mech seal D16 + OR

*20A	Materials->	Q1AEGG	KL01AEU	Std -> Seal Q1AEGG - sleeve OR EPDM HT / Balanced : 10-15-22SV < / = 4 kW
		Q1AVGG	KL01AEV	
		Q1Q1VGG	KL01AE4	
*20	Materials->	Q1AEGG	KL01AE5	Std -> Seal Q1AEGG - upper holder OR EPDM HT / Balanced : 10-15-22SV = / > 5,5 kW
		Q1AVGG	KL01AE6	
		Q1Q1VGG	KL01AD4	

Common, Single Unit and Kit

3	Base	161431330	-> 10SV
4	Plugs	EPDM HT	KL34AAX
			Kit common with 1-22SV...B
5	Upper holder	-	Up to 4,0 kW included
		160103722	Equal / Over 5,5 kW
		160103742	Part with hole for tap
*9	Impeller10 SV A304	150703632	
13	Seal housing disc	150102942	Up to 4,0 kW included
		150102962	Equal / Over 5,5 kW
14	Pump body	151302452	
15	Diffuser carbon bush	152803132	
17	First stage box	152802932	
*21	OR	EPDM HT	KL02AB6
24	Motor flange	-	
30	Bush seal kit EPDM HT	KL41AA6	
36	Final diffuser	152803362	

* Recommended spare parts - Parti di ricambio consigliate

* Pièces détachées conseillées - Empfohlene Ersatzteile

** Motor spare parts: see motor lists - Parti di ricambio motore: vedi liste motore

** Pièces détachées Moteur : voir listes moteur - Motor-Ersatzteile: gem. Motorlisten

15SV NH 2 Pole 60Hz (15SVNH/D: motors IE3 fitted)

ELP 2P 60Hz										
N Version	15SV01NH015	15SV02NH030	15SV03NH040	15SV04NH055	15SV05NH075	15SV06NH110	15SV07NH110	15SV08NH150	15SV09NH150	15SV10NH150
M->	1016L673J									
T(IE2) ~>	1016L575J	1016L576J	1016L577J	1016L578J	1016L579J	1016L580J	1016L581J	1016L582J	1016L583J	1016L584J
	1016LB37J	1016LB38J	1016L577J	1016L578J	1016L579J	1016L580J	1016L581J	1016L582J	1016L583J	1016L584J
T(IE3) ~>	1016LH75J	1016LH76J	1016LH77J	1016LH78J	1016LH79J	1016LH80J	1016LH81J	1016LH82J	1016LH83J	1016LH84J
	15SV11NH1856									
M->										
T(IE2) ~>	1016L585J									
T(IE3) ~>	1016LH85J									

Single Unit and Kit

10	Sleeve A316	166444032	166444032	166444052	166444072	166444092	166444112	166444132	166444152	166444172	166444192
		166444212									
11	Shaft A316	165051032B	165051032B	165051052B	165051072B	165051092B	165051112B	165051132B	165051152B	165051172B	165051192B
		165051212B									
31	Tie rods SVN	KL22AQV	KL22AQV	KL22AQX	KL22AQZ	KL22AQ1	KL22AQ3	KL22AQ5	KL22AQ7	KL22AQ9	KL22ARB
		KL22ARD									

Motor, Coupling, Motor Adaptor

Motor power kW >	1,5	3,0	4,0	5,5	7,5	11,0	11,0	15,0	15,0	15,0
	18,5									

**1 kW >	1,5	3,0	4,0	5,5	7,5	11,0	15,0	18,5
Motor 2P, 1 ~>	107231140							
Motor 2P,3-, IE2 since 0,75kW	50000PD00	50002PF00	50008PG00	50013PE00	50017PB00	50019PE00	50024PB00	50025PB00
	107240010	107241010	50008PG00	50013PE00	50017PB00	50019PE00	50024PB00	50025PB00
Motor 2P,3-, IE3 since 0,75kW	107234011	50A02PF00	50A08PL00	50A13PE00	50A17PB00	50A19PE00	50A24PB00	50A25PB00
2 Adaptor	161470740	161470760	161470760	161470760	161470860	161470880	161470880	161470880
23 Lifting bracket	-	-	-	161441050	161441050	161441060	161441060	161441060
26 Coupling	KL10ABE	KL10ABF	KL10ABK	KL10ABL	KL10ABZ	KL10AB0	KL10AB0	KL10AB0
27 Coupling guard	KL33AAP	KL33AAQ	KL33AAQ	KL33AAQ	KL33AAU	KL33AAU	KL33AAU	KL33AAU

Wear Parts Kit

	->15SV06	->15SV11
up to model (->)	1 bearing	2 bearing
*34 Wear parts	KL35AFA	KL35AFB

Mechanical seal Kit : Mech seal D16 + OR

*20A	Materials->	Q1AEGG	KL01AEU	Std -> Seal Q1AEGG - sleeve OR EPDM HT / Balanced : 10-15-22SV < / = 4 kW
		Q1AVGG	KL01AEV	
		Q1Q1VGG	KL01AE4	
*20	Materials->	Q1AEGG	KL01AE5	Std -> Seal Q1AEGG - upper holder OR EPDM HT / Balanced : 10-15-22SV = / > 5,5 kW
		Q1AVGG	KL01AE6	
		Q1Q1VGG	KL01AD4	

Common, Single Unit and Kit

3	Base	161431330	-> 10SV
4	Plugs	EPDM HT KL34AAX	Kit common with 1-22SV...B
5	Upper holder	-	Up to 4,0 kW included
		160103722	Over 5,5 kW
		160103742	Part with hole for tap
*9	Impeller 15SV A316	150703642	
13	Seal housing disc	150102942	Up to 4,0 kW included
		150102962	Over 5,5 kW
14	Pump body	151302602	-> 15SVN DN40
15	Diffuser	152803152	
17	First stage box	152802952	
*21	OR	EPDM HT KL02AB6	
24	Motor flange	-	
30	Bush seal kit EPDM HT	KL41AA6	
36	Final diffuser	152803372	

* Recommended spare parts - Parti di ricambio consigliate

** Pièces détachées conseillées - Empfohlene Ersatzteile

** Motor spare parts: see motor lists - Parti di ricambio motore: vedi liste motore

** Pièces détachées Moteur : voir listes moteur - Motor-Ersatzteile: gem. Motorlisten

22SV NH 2 Pole 60Hz (22SVNH/D: motors IE3 fitted)

ELP 2P 60Jz											
N Version	22SV01NH022	22SV02NH040	22SV03NH055	22SV04NH073	22SV05NH110	22SV06NH110	22SV07NH150	22SV08NH150	22SV09NH185	22SV10NH185	
M->	1016L678J										
T(IE2) ~>	1016L591J	1016L592J	1016L593J	1016L594J	1016L595J	1016L596J	1016L597J	1016L598J	1016L599J	1016L600J	
	1016LB43J	1016L592J	1016L593J	1016L594J	1016L595J	1016L596J	1016L597J	1016L598J	1016L599J	1016L600J	
T(IE3) ~>	1016LH91J	1016LH92J	1016LH93J	1016LH94J	1016LH95J	1016LH96J	1016LH97J	1016LH98J	1016LH99J	1016LJ00J	

Single Unit and Kit

10	Sleeve A316	166444032	166444032	166444052	166444072	166444092	166444112	166444132	166444152	166444172	166444192
11	Shaft A316	165051032B	165051032B	165051052B	165051072B	165051092B	165051112B	165051132B	165051152B	165051172B	165051192B
31	Tie rods SVN K	KL22AC4	KL22AC4	KL22AQX	KL22AQZ	KL22AQ1	KL22AC9	KL22AQ5	KL22AQ7	KL22AQ9	KL22ARB

Motor, Coupling, Motor Adaptor

Motor power kW >	2,2	4,0	5,5	7,5	11,0	11,0	15,0	15,0	18,5	18,5
------------------	-----	-----	-----	-----	------	------	------	------	------	------

**1	kW >	2,2	4,0	5,5	7,5	11,0	15,0	18,5
	Motor 2P, 1 ~ >	50004FD00						
	Motor 2P,3~, IE2 since 0,75kW	50001PD00	50008PG00	50013PE00	50017PB00	50019PE00	50024PB00	50025PB00
		107240510	50008PG00	50013PE00	50017PB00	50019PE00	50024PB00	50025PB00
	Motor 2P,3~, IE3 since 0,75kW	50A01PD00	50A08PL00	50A13PE00	50A17PB00	50A19PE00	50A24PB00	50A25PB00
2	Adaptor	161470740	161470760	161470760	161470860	161470880	161470880	161470880
23	Lifting bracket	-	-	161441050	161441050	161441060	161441060	161441060
26	Coupling	KL10ABE	KL10ABK	KL10ABL	KL10ABZ	KL10AB0	KL10AB0	KL10AB0
27	Coupling guard	KL33AAP	KL33AAQ	KL33AAQ	KL33AAU	KL33AAU	KL33AAU	KL33AAU

Wear Parts Kit

	->22SV06	->22SV11
up to model (->)	1 bearing	2 bearing
*34 Wear parts	KL35AFA	KL35AFB

Mechanical seal Kit : Mech seal D16 + OR

*20A	Materials->	Q1AEGG	KL01AEU	Std -> Seal Q1AEGG - sleeve OR EPDM HT / Balanced : 10-15-22SV < / = 4 kW
		Q1AVGG	KL01AEV	
		Q1Q1VGG	KL01AE4	
*20	Materials->	Q1AEGG	KL01AE5	Std -> Seal Q1AEGG - upper holder OR EPDM HT / Balanced : 10-15-22SV = / > 5,5 kW
		Q1AVGG	KL01AE6	
		Q1Q1VGG	KL01AD4	

Common, Single Unit and Kit

3	Base	161431350	-> 15-22SV
4	Plugs	EPDM HT	KL34AAX
			Kit common with 1-22SV...B
5	Upper holder	-	Up to 4,0 kW included
		160103722	Equal / Over 5,5 kW
		160103742	Part with hole for tap
*9	Impeller 22SV A316	150703652	
13	Seal housing disc	150102942	Up to 4,0 kW included
		150102962	Equal / Over 5,5 kW
14	Pump body	151302602	-> 22SVN DN40
15	Diffuser	152803152	
17	First stage box	152802952	
*21	OR	EPDM HT	KL02AB6
24	Motor flange	-	
30	Bush seal kit EPDM HT	KL41AA6	
36	Final diffuser	152803372	

* Recommended spare parts - Parti di ricambio consigliate

* Pièces détachées conseillées - Empfohlene Ersatzteile

** Motor spare parts: see motor lists - Parti di ricambio motore: vedi liste motore

** Pièces détachées Moteur : voir listes moteur - Motor-Ersatzteile: gem. Motorlisten