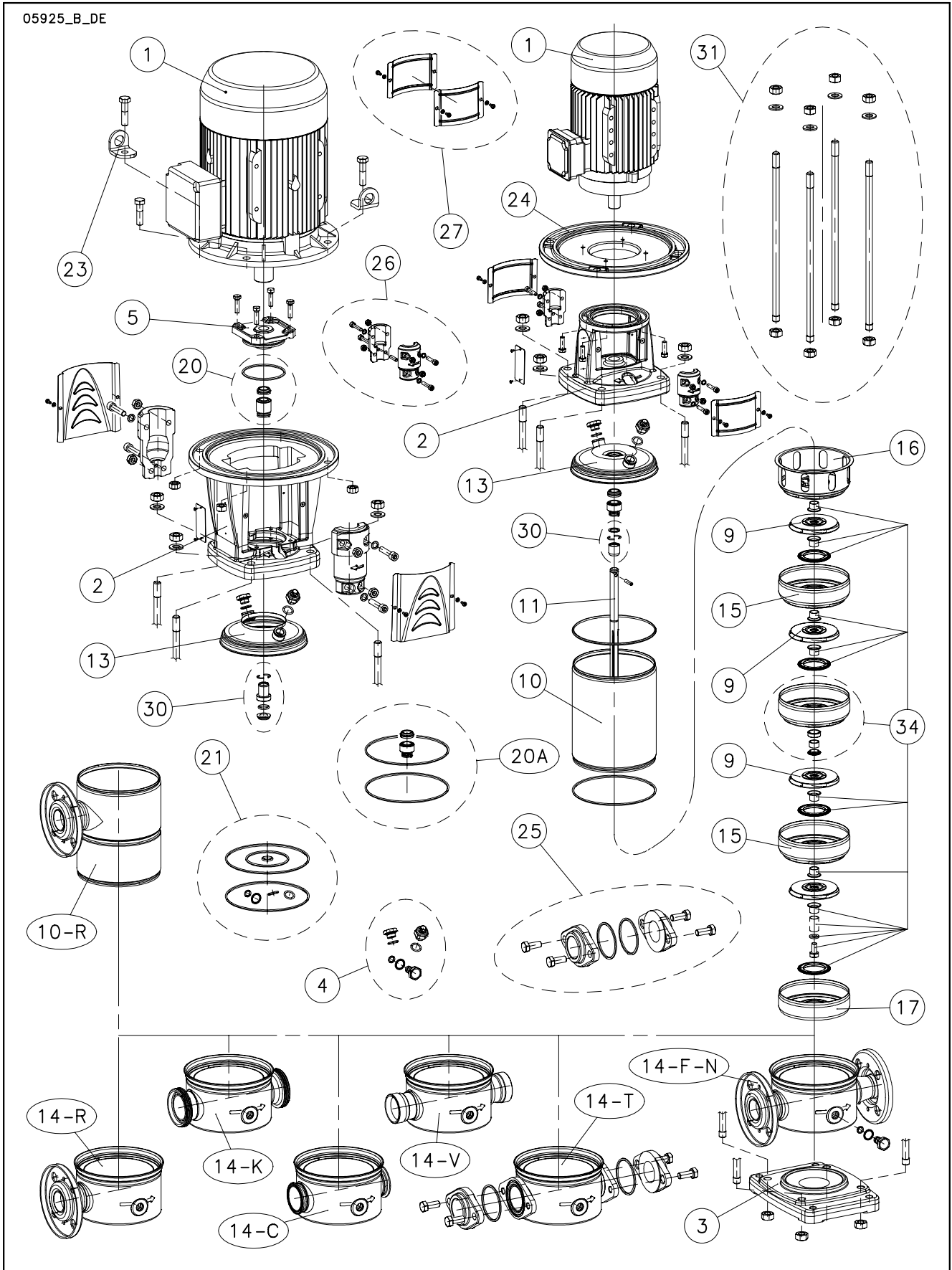


## 1, 3, 5, 10, 15, 22SV



Lowara and Vogel Pumpen are a trademark of Xylem Inc. or one of its subsidiaries. Goulds is a registered trademark of Goulds Pumps, Inc. and is used under license.

| N. | Descrizione<br>It               | Description<br>en                                  | Description<br>fr                    | Beschreibung<br>de                          | Descripción<br>es               | Descrição<br>pt               |
|----|---------------------------------|--|--------------------------------------|---|---------------------------------|-------------------------------|
| 1  | Motore                          | Motor  | Moteur                               | Motor                                       | Motor                           | Motor                         |
| 2  | Lanterna                        | Adaptor  | Lanterne                             | Motorlanterne                               | Adaptador                       | Adaptador                     |
| 3  | Base                            | Basement   | Base                                 | Untersatz                                   | Base                            | Base                          |
| 4  | Tappi                           | Plugs  | Bouchons                             | Stopfen                                     | Tapones                         | Tampões                       |
| 5  | Portatenuta superiore           | Upper holder                                       | Disque supérieure                    | Oberer dichtungsdeckel                      | Disco superior                  | Disco superior                |
| 9  | Girante                         | Impeller   | Roue                                 | Laufrad                                     | Rodete                          | Impulsor                      |
| 10 | Camicia                         | Sleeve   | Chemise                              | Gehäuse                                     | Camisa                          | Camisa                        |
| 11 | Albero                          | Shaft  | Arbre                                | Welle                                       | Árbol                           | Veio                          |
| 13 | Disco porta tenuta              | Seal housing disc                                  | Disque de garniture                  | Dichtungsdeckel                             | Disco de alojamiento sello      | Disco porta-vedante           |
| 14 | Corpo pompa                     | Pump body  | Corps de pompe                       | Pumpengehäuse                               | Caja bomba                      | Corpo da bomba                |
| 15 | Diffusore                       | Diffuser   | Diffuseur                            | Diffusor                                    | Difusor                         | Difusor                       |
| 16 | Diffusore finale                | Last stage diffuser                                | Diffuseur dernier étage              | Enddiffusor                                 | Difusor final                   | Difusor final                 |
| 17 | Scatola stadio iniziale         | Initial stage box                                  | Box premier étage                    | Erste Stufe Diffusor                        | Caja etapa inicial              | Carcaça primeira célula       |
| 20 | Kit tenuta mecc. + OR           | Mechanical seal + OR kit                           | Kit garniture méc. + joints toriques | Gleitringdichtung + O-Ring [Satz]           | Kit sello mec. + junta tórica   | Kit vedante mec. + OR         |
| 21 | Kit guarnizioni OR              | O ring kit   | Kit joints toriques                  | Dichtungssatz                               | Kit juntas tóricas              | Kit guarnições OR             |
| 23 | Staffa sollevamento             | Lifting bracket                                    | Support de levage                    | Hebeösen                                    | Soporte de elevación            | Suporte de suspensão          |
| 24 | Flangia motore                  | Motor flange                                       | Bride moteur                         | Motorflansch                                | Brida motor                     | Flange motor                  |
| 25 | Kit controflangia ovale         | O val counterflange kit                            | Kit contrebride ovale                | Gegenflansch oval [Satz]                    | Kit contrafrida oval            | Kit contraflange oval         |
| 26 | Kit coppia di semigiunti        | Pair of half coupling kit                          | Kit paire de demi-manchons           | Kupplung [Satz]                             | Kit par de semijuntas           | Kit par de semi-juntas        |
| 27 | Kit protezione giunto           | Coupling guard kit                                 | Kit protection manchon               | Kupplungsschutz [Satz]                      | Kit protección junta            | Kit protecção junta           |
| 30 | Kit bussola tenuta              | Bush seal kit                                      | Kit douille garniture                | Gleitringdichtungsarretierung und mitnehmer | Kit casquillo sello             | kit bucha vedante             |
| 31 | Kit tiranti                     | Tie rods kit                                       | Kit tirants                          | Zugstangen [Satz]                           | Kit tirantes                    | Kit tirantes                  |
| 34 | Kit parti di usura              | Wear parts kit                                     | Kit parties d'usure                  | Verschleißteile [Satz]                      | Kit piezas de desgaste          | Kit peças desgastáveis        |
| N. | Beschrijving<br>nl              | Περιγραφή<br>el                                    | Açıklama<br>tr                       | Kuvaus<br>fi                                | Описание<br>ru                  | Opis<br>pl                    |
| 1  | Motor                           | Πλήρης κινητήρας                                   | Motor                                | Moottori                                    | Двигатель                       | Silnik                        |
| 2  | Lantaarnstuk                    | Μπρακέτο   | Adaptör                              | Sovitin                                     | Крестовина                      | Piasta                        |
| 3  | Pompvoet                        | Βάση   | Kaide                                | Perusta                                     | Основание                       | Podstawa                      |
| 4  | Pluggen                         | Σετ ταπών  | Tapalar                              | Tulpat                                      | Пробки                          | Zatyczki                      |
| 5  | Bovenste plaat                  | Ανώτερος Δίσκος                                    | Üst disk                             | Ylempi levy                                 | Верхний держатель дисков        | Tarcza górna                  |
| 9  | Waaier                          | στροφέιο   | Pompa rotoru                         | Juoksupyöriä                                | рабочее колесо                  | Wirnik                        |
| 10 | Mantel                          | Κέλυφος  | Gömlük                               | Muhvi                                       | Муфта                           | Plaszcz                       |
| 11 | As                              | Άξονας   | Mil                                  | Akseli                                      | Вал                             | Wał                           |
| 13 | Dichtingssteenplaat             | Δίσκος μηχανικού στυπιοθλιπτή                      | Sızdırmazlık elemanı disk            | Tiivisteenn kannatuslevy                    | Пластина держателя прокладки    | Tarcza uszczelki              |
| 14 | Pomphuis                        | Σώμα αντλίας                                       | Pompa gövdesi                        | Pumpun runko                                | Корпус насоса                   | Korpus pompy                  |
| 15 | Diffusor                        | Πτερύγιο εκτροπής                                  | Difüzör                              | Diffusori                                   | Диффузор                        | Dyfuzor                       |
| 16 | Diffusor laatste trap           | Τελευταίο πτερύγιο εκτροπής                        | Son difüzör                          | Loppuvaiheen diffuusori                     | Конечный диффузор               | Dyfuzor końcowy               |
| 17 | Kast eerste trap                | Πρώτο πτερύγιο εκτροπής                            | İlk kademe kutusu                    | Ensivaiheen laatikko                        | Коробка начальной стадии        | Skrzynka początkowego stadium |
| 20 | Set mech. asafdichting + O-ring | Μηχανικός στυπιοθλιπτής και ροδέλες στεγανοποίησης | Mekanik salmastra kiti + O-Ring      | Mek. tiiviste + O-rengassarja               | Комплект мех. прокладки + OR    | Zestaw uszcz. mech. + OR      |
| 21 | Set O-ringafdichtingen          | Σετ ροδέλες στεγανοποίησης                         | O-Ring kiti                          | O-rengassarja                               | Комплект кольцевых прокладок OR | Zestaw uszczeliek OR          |
| 23 | Hijz steun                      | Άρση αγκύλη  | Dirsek Kaldırma                      | Nosto ylätuki                               | Подъемные кронштейн             | Podnoszenia wspornik          |
| 24 | Motorflens                      | Μπρακέτο κινητήρα                                  | Motor flanş                          | Moottorin laippa                            | Фланец двигателя                | Kolnierz silnika              |
| 25 | Set ovale flenzen               | Σετ Οβάλ φλάντζα                                   | Oval flanş kiti                      | Soikeiden vastalaipprojen sarja             | Комплект Овальный фланец        | Zestaw Kolnierz owalnych      |
| 26 | Set koppelingshefften           | Σετ σταθερού συνδέσμου                             | Çift yarım manşon kiti               | Liitinsarja                                 | Комплект пары полумуфт          | Zestaw pary półzłączy         |
| 27 | Set koppelingsbescherming       | Καλύμματα προστασίας σταθερού συνδέσμου            | Manşon koruma kiti                   | Liitoksen suojuussarja                      | Комплект защиты муфт            | Zestaw ochrony złączy         |
| 30 | Set afdichtingsbus              | Σετ κουζινέτου μηχανικού στυπιοθλιπτή              | Sızdırmazlık elemanı burcu kiti      | Holkki ja tiiviste                          | Комплект втулки уплотнения      | Zestaw busoli uszczel.        |
| 31 | Set trekstangen                 | Σετ ράβδων σύνδεσης                                | Gergi çubuğu kiti                    | Vetotankosarja                              | Комплект тяг                    | Zestaw napinaczy              |
| 34 | Set slijtonderdelen             | Σετ δακτυλίων τριβής                               | Aşınma parçaları kiti                | Kulumisiosien sarja                         | Комплект изнашиваемых частей    | Zestaw części podl. zużyciu   |

## 1SV F 2 Pole 60Hz

Production date >Sept 2010

| ELP 2 P 60Hz |  | 1SV02F0036 | 1SV03F0036 | 1SV04F0036 | 1SV05F0056 | 1SV06F0056 | 1SV07F0076 | 1SV08F0076 | 1SV09F0076 | 1SV10F0116 | 1SV11F0116 |
|--------------|--|------------|------------|------------|------------|------------|------------|------------|------------|------------|------------|
| M ~>         |  | 1016L6061  | 1016L6071  | 1016L6081  | 1016L6091  | 1016L6101  | 1016L6111  | 1016L6121  | 1016L6131  | 1016L6141  | 1016L6151  |
| T ~>         |  | 1016L4711  | 1016L4721  | 1016L4731  | 1016L4741  | 1016L4751  | 1016L4761  | 1016L4771  | 1016L4781  | 1016L4791  | 1016L4801  |
| M ~>         |  | 1SV12F0116 | 1SV13F0116 | 1SV15F0156 | 1SV17F0156 | 1SV18F0226 | 1SV20F0226 | 1SV22F0226 | 1SV24F0226 | 1SV26F0226 | 1SV28F0306 |
| T ~>         |  | 1016L6161  | 1016L6171  | 1016L6191  | 1016L6211  | 1016L6221  | 1016L6241  | 1016L6261  | 1016L6281  | 1016L6301  |            |
|              |  | 1016L4811  | 1016L4821  | 1016L4841  | 1016L4861  | 1016L4871  | 1016L4891  | 1016L4911  | 1016L4931  | 1016L4951  | 1016L4971  |

### Single Unit and Kit

|    |                  |           |           |           |           |           |           |           |           |           |           |
|----|------------------|-----------|-----------|-----------|-----------|-----------|-----------|-----------|-----------|-----------|-----------|
| 10 | Sleeve F-T       | 166443040 | 166443040 | 166443060 | 166443070 | 166443080 | 166443100 | 166443120 | 166443140 | 166443150 | 166443160 |
| 11 | Shaft A304       | 165050040 | 165050040 | 165050060 | 165050070 | 165050080 | 165050100 | 165050120 | 165050140 | 165050150 | 165050160 |
| 31 | Tie rods SVF kit | KL22AK5   | KL22AK5   | KL22AK6   | KL22AK7   | KL22AK8   | KL22AK9   | KL22ABP   | KL22ALB   | KL22ALC   | KL22ALD   |
|    |                  | KL22ALE   | KL22ABT   | KL22ALH   | KL22ALL   | KL22ABW   | KL22AMK   | KL22ALP   | KL22AL1   | KL22AL2   | KL22AL3   |

### Motor, Coupling, Motor adaptor

| Motor power kW > | 0,37 | 0,37 | 0,37 | 0,55 | 0,55 | 0,75 | 0,75 | 0,75 | 1,1 | 1,1 |
|------------------|------|------|------|------|------|------|------|------|-----|-----|
|                  | 1,1  | 1,1  | 1,5  | 1,5  | 2,2  | 2,2  | 2,2  | 2,2  | 2,2 | 3,0 |

|     |                 |           |           |           |           |           |           |           |
|-----|-----------------|-----------|-----------|-----------|-----------|-----------|-----------|-----------|
| **1 | kW >            | 0,37      | 0,55      | 0,75      | 1,1       | 1,5       | 2,2       | 3,0       |
|     | Motor 2P, 1 ->  | 107231020 | 107231040 | 107231100 | 107231120 | 107231140 | 50004FD00 |           |
|     | Motor 2P, 3 ->  | 107230060 | 107230080 | 107230150 | 107230500 | 50000PD00 | 50001PD00 | 50002PF00 |
| 2   | Adaptor         | 161470700 | 161470700 | 161470720 | 161470720 | 161470740 | 161470740 | 161470760 |
| 23  | Lifting bracket | -         | -         | -         | -         | -         | -         | -         |
| 26  | Coupling        | KL10ABC   | KL10ABC   | KL10ABD   | KL10ABD   | KL10ABE   | KL10ABE   | KL10ABF   |
| 27  | Coupling guard  | KL33AAM   | KL33AAM   | KL33AAN   | KL33AAN   | KL33AAP   | KL33AAP   | KL33AAQ   |

### Wear Parts kit

up to model (->)

|     | -> 1SV10   | -> 1SV20 | -> 1SV27 | -> 1SV35 |         |
|-----|------------|----------|----------|----------|---------|
| *34 | Wear parts | KL35AEE  | KL35AEF  | KL35AEG  | KL35AEH |

### Mechanical seal Kit : Mech seal D12 + sleeve OR

|      |              |         |         |                              |
|------|--------------|---------|---------|------------------------------|
| *20A | Materials -> | Q1BEGG  | KL01AAD | Std -> Seal Q1BEGG - OR EPDM |
|      |              | Q1Q1EGG | KL01AC7 |                              |
|      |              | Q1BVGG  | KL01AAG |                              |
|      |              | Q1Q1VGG | KL01AC9 |                              |
|      |              | Q1CTGG  | KL01ADB |                              |
|      |              | Q1Q1TGG | KL01ADD |                              |

### Common, Single Unit and kit

|     |                         |           |             |
|-----|-------------------------|-----------|-------------|
| 3   | Base                    | 161431310 | -> 1-3-5SVF |
| 4   | Plugs                   | EPDM      | KL34AAT     |
|     |                         | FPM       | KL34AAL     |
|     |                         | FEP       | KL34AAM     |
| 5   | Upper holder            | -         |             |
| *9  | Impeller 1SV A304       | 150703600 |             |
| 13  | Seal housing disc       | 150102920 |             |
| 14  | Pump body               | 151302320 | -> 1-3SVF   |
| 15  | Diffuser                | 152803110 |             |
| 16  | Last stage diffuser     | 152803010 |             |
| 17  | First stage box         | 152802910 |             |
| *21 | OR                      | EPDM      | KL02AA1     |
|     |                         | FPM       | KL02AA2     |
|     |                         | FEP       | KL02AA3     |
| 24  | Motor flange            | -         |             |
| 25  | Kit oval flange OR EPDM | -         |             |
|     | Kit oval flange OR FPM  | -         |             |
| 30  | Impellers retainer      | KL41AAX   |             |

\* Recommended spare parts - Parti di ricambio consigliate

\* Pièces détachées conseillées - Empfohlene Ersatzteile

\*\* Motor spare parts: see motor lists - Parti di ricambio motore: vedi liste motore

\*\* Pièces détachées Moteur : voir listes moteur - Motor-Ersatzteile: gem. Motorlisten

1-22SVF\_6\_Sept10\_EdG

## 1SV F 4 Pole 60Hz

| ELP 4 P, 3 ~, 60  |             |             |             |             |             |             |             |             |             |             |
|-------------------|-------------|-------------|-------------|-------------|-------------|-------------|-------------|-------------|-------------|-------------|
| F Version<br>T -> | 1SV03F00246 | 1SV05F00246 | 1SV07F00246 | 1SV09F00246 | 1SV11F00246 | 1SV13F00246 | 1SV15F00246 | 1SV17F00246 | 1SV18F00246 | 1SV20F00246 |
|                   | 1016L6851   | 1016L6871   | 1016L6891   | 1016L6911   | 1016L6931   | 1016L6951   | 1016L6971   | 1016L6991   | 1016L7001   | 1016L7021   |
| T ->              | 1SV22F00246 | 1SV24F00246 | 1SV26F00346 | 1SV28F00346 |             |             |             |             |             |             |
|                   | 1016L7041   | 1016L7061   | 1016L7081   | 1016L7101   |             |             |             |             |             |             |

### Single Unit and Kit

|    |                  |           |           |           |           |           |           |           |           |           |           |
|----|------------------|-----------|-----------|-----------|-----------|-----------|-----------|-----------|-----------|-----------|-----------|
| 10 | Sleeve F-T       | 166443040 | 166443070 | 166443100 | 166443140 | 166443160 | 166443200 | 166443230 | 166443260 | 166443280 | 166443310 |
|    |                  | 166443340 | 166443380 | 166443400 | 166443440 |           |           |           |           |           |           |
| 11 | Shaft A304       | 165050040 | 165050070 | 165050100 | 165050140 | 165050160 | 165050200 | 165050230 | 165050260 | 165050280 | 165050310 |
|    |                  | 165050340 | 165050380 | 165050400 | 165050440 |           |           |           |           |           |           |
| 31 | Tie rods SVF kit | KL22AK5   | KL22AK7   | KL22AK9   | KL22ALB   | KL22ALD   | KL22ABT   | KL22ALH   | KL22ALL   | KL22ABW   | KL22AMK   |
|    |                  | KL22ALP   | KL22AL1   | KL22AL2   | KL22AL3   |           |           |           |           |           |           |

### Motor, Coupling, Motor Adaptor

| Motor power kW> | 0,25 | 0,25 | 0,25 | 0,25 | 0,25 | 0,25 | 0,25 | 0,25 | 0,25 | 0,25 |
|-----------------|------|------|------|------|------|------|------|------|------|------|
|                 | 0,25 | 0,25 | 0,37 | 0,37 |      |      |      |      |      |      |

|     |                 |           |           |
|-----|-----------------|-----------|-----------|
| **1 | kW >            | 0,25 kW   | 0,37 kW   |
|     | Motor 4P, 3 ~>  | 107230640 | 107230700 |
| 2   | Adaptor         | 161470700 | 161470700 |
| 23  | Lifting bracket | -         | -         |
| 26  | Coupling        | KL10ABC   | KL33AAM   |
| 27  | Coupling guard  | KL33AAM   | KL10ABC   |

### Wear Parts kit

| up to model (->) | -> 1SV10   | -> 1SV20  | -> 1SV27  | -> 1SV35  |         |
|------------------|------------|-----------|-----------|-----------|---------|
|                  | 1 bearing  | 2 bearing | 3 bearing | 4 bearing |         |
| *34              | Wear parts | KL35AEE   | KL35AEF   | KL35AEG   | KL35AEH |

### Mechanical seal Kit : Mech seal D12 + sleeve OR

|      |              |         |         |                              |
|------|--------------|---------|---------|------------------------------|
| *20A | Materials -> | Q1BEGG  | KL01AAD | Std -> Seal Q1BEGG - OR EPDM |
|      |              | Q1Q1EGG | KL01AC7 |                              |
|      |              | Q1BVGG  | KL01AAG |                              |
|      |              | Q1Q1VGG | KL01AC9 |                              |
|      |              | Q1CTGG  | KL01ADB |                              |
|      |              | Q1Q1TGG | KL01ADD |                              |

### Common, Single Unit and kit

|     |                     |           |             |
|-----|---------------------|-----------|-------------|
| 3   | Base                | 161431310 | -> 1-3-5SVF |
| 4   | Plugs               | EPDM      | KL34AAT     |
|     |                     | FPM       | KL34AAL     |
|     |                     | FEP       | KL34AAM     |
| 5   | Upper holder        | -         |             |
| *9  | Impeller 1SV A304   | 150703600 |             |
| 13  | Seal housing disc   | 150102920 |             |
| 14  | Pump body           | 151302320 |             |
| 15  | Diffuser            | 152803110 |             |
| 16  | Last stage diffuser | 152803010 |             |
| 17  | First stage box     | 152802910 |             |
| *21 | OR                  | EPDM      | KL02AA1     |
|     |                     | FPM       | KL02AA2     |
|     |                     | FEP       | KL02AA3     |
| 24  | Motor flange        | -         |             |
| 30  | Impellers retainer  | KL41AAX   |             |

### Parts 1-3SV with less impellers

-> both SV el.pumps 2 - 4 Pole

|  |                               |           |
|--|-------------------------------|-----------|
|  | Spacer in place of impeller   | 162503832 |
|  | Diffuser box empty            | 162801612 |
|  | Last stage diffuser box empty | 162801722 |

\* Recommended spare parts - Parti di ricambio consigliate

\* Pièces détachées conseillées - Empfohlene Ersatzteile

\*\* Motor spare parts: see motor lists - Parti di ricambio motore: vedi liste motore

\*\* Pièces détachées Moteur : voir listes moteur - Motor-Ersatzteile: gem. Motorlisten

## 3SV F 2 Pole 60Hz

Production date >Sept 2010

| ELP 2 P 60Hz |                   |                   |                   |                   |                   |                   |                   |                   |            |            |
|--------------|-------------------|-------------------|-------------------|-------------------|-------------------|-------------------|-------------------|-------------------|------------|------------|
| F Version    | 3SV02F0036        | 3SV03F0056        | 3SV04F0076        | 3SV05F0116        | 3SV06F0116        | 3SV07F0116        | 3SV08F0156        | 3SV09F0156        | 3SV10F0226 | 3SV11F0226 |
| M ->         | 1016L6361         | 1016L6371         | 1016L6381         | 1016L6391         | 1016L6401         | 1016L6411         | 1016L6421         | 1016L6431         | 1016L6441  | 1016L6451  |
| T ->         | 1016L5031         | 1016L5041         | 1016L5051         | 1016L5061         | 1016L5071         | 1016L5081         | 1016L5091         | 1016L5101         | 1016L5111  | 1016L5121  |
|              | <b>3SV12F0226</b> | <b>3SV13F0226</b> | <b>3SV14F0226</b> | <b>3SV15F0306</b> | <b>3SV17F0306</b> | <b>3SV19F0306</b> | <b>3SV21F0406</b> | <b>3SV23F0406</b> |            |            |
| M ->         | 1016L6461         | 1016L6471         | 1016L6481         |                   |                   |                   |                   |                   |            |            |
| T ->         | 1016L5131         | 1016L5141         | 1016L5151         | 1016L5161         | 1016L5181         | 1016L5201         | 1016L5221         | 1016L5241         |            |            |

### Single Unit and Kit

|    |                  |           |           |           |           |           |           |           |           |           |           |
|----|------------------|-----------|-----------|-----------|-----------|-----------|-----------|-----------|-----------|-----------|-----------|
| 10 | Sleeve F-T       | 166443040 | 166443040 | 166443060 | 166443070 | 166443080 | 166443100 | 166443120 | 166443140 | 166443150 | 166443160 |
|    |                  | 166443180 | 166443200 | 166443220 | 166443230 | 166443260 | 166443300 | 166443320 | 166443360 |           |           |
| 11 | Shaft A304       | 165050040 | 165050040 | 165050060 | 165050070 | 165050080 | 165050100 | 165050120 | 165050140 | 165050150 | 165050160 |
|    |                  | 165050180 | 165050200 | 165050220 | 165050230 | 165050260 | 165050300 | 165050320 | 165050360 |           |           |
| 31 | Tie rods SVF kit | KL22AK5   | KL22AK5   | KL22AK6   | KL22AK7   | KL22AK8   | KL22AK9   | KL22ABP   | KL22ALB   | KL22ALC   | KL22ALD   |
|    |                  | KL22ALE   | KL22ABT   | KL22ALG   | KL22ALH   | KL22ALL   | KL22ALM   | KL22ALN   | KL22ALQ   |           |           |

### Motor, Coupling, Motor adaptor

| Motor power kW > | 0,37 | 0,55 | 0,75 | 1,1 | 1,1 | 1,1 | 1,5 | 1,5 | 2,2 | 2,2 |
|------------------|------|------|------|-----|-----|-----|-----|-----|-----|-----|
|                  | 2,2  | 2,2  | 2,2  | 3,0 | 3,0 | 3,0 | 4,0 | 4,0 |     |     |

|     |                 |                  |           |                  |           |                  |           |           |           |
|-----|-----------------|------------------|-----------|------------------|-----------|------------------|-----------|-----------|-----------|
| **1 | kW >            | 0,37             | 0,55      | 0,75             | 1,1       | 1,5              | 2,2       | 3,0       | 4,0       |
|     | Motor 2P, 1 ->  | <b>107231020</b> | 107231040 | <b>107231100</b> | 107231120 | 107231140        | 50004FD00 |           |           |
|     | Motor 2P, 3 ->  | <b>107230060</b> | 107230080 | <b>107230150</b> | 107230500 | <b>50000PD00</b> | 50001PD00 | 50002PF00 | 50008PG00 |
| 2   | Adaptor         | 161470700        | 161470700 | 161470720        | 161470720 | 161470740        | 161470740 | 161470760 | 161470760 |
| 23  | Lifting bracket | -                | -         | -                | -         | -                | -         | -         | -         |
| 26  | Coupling        | KL10ABC          | KL10ABC   | KL10ABD          | KL10ABD   | KL10ABE          | KL10ABE   | KL10ABF   | KL10ABK   |
| 27  | Coupling guard  | KL33AAM          | KL33AAM   | KL33AAN          | KL33AAN   | KL33AAP          | KL33AAP   | KL33AAQ   | KL33AAQ   |

### Wear Parts kit

| up to model (->) | -> 3SV10   | -> 3SV20  | -> 3SV27  |         |
|------------------|------------|-----------|-----------|---------|
|                  | 1 bearing  | 2 bearing | 3 bearing |         |
| *34              | Wear parts | KL35AEE   | KL35AEF   | KL35AEG |

### Mechanical seal Kit : Mech seal D12 + sleeve OR

|      |              |                |         |                              |
|------|--------------|----------------|---------|------------------------------|
| *20A | Materials -> | <b>Q1BEGG</b>  | KL01AAD | Std -> Seal Q1BEGG - OR EPDM |
|      |              | <b>Q1Q1EGG</b> | KL01AC7 |                              |
|      |              | <b>Q1BVGG</b>  | KL01AAG |                              |
|      |              | <b>Q1Q1VGG</b> | KL01AC9 |                              |
|      |              | <b>Q1CTGG</b>  | KL01ADB |                              |
|      |              | <b>Q1Q1TGG</b> | KL01ADD |                              |

### Common, Single Unit and kit

|     |                         |           |               |
|-----|-------------------------|-----------|---------------|
| 3   | Base                    | 161431310 | -> 1-3-5SVF-R |
| 4   | Plugs                   | EPDM      | KL34AAT       |
|     |                         | FPM       | KL34AAL       |
|     |                         | FEP       | KL34AAM       |
| 5   | Upper holder            | -         |               |
| *9  | Impeller 3SV A304       | 150703610 |               |
| 13  | Seal housing disc       | 150102920 |               |
| 14  | Pump body               | 151302320 |               |
| 15  | Diffuser                | 152803110 |               |
| 16  | Last stage diffuser     | 152803010 |               |
| 17  | First stage box         | 152802910 |               |
| *21 | OR                      | EPDM      | KL02AA1       |
|     |                         | FPM       | KL02AA2       |
|     |                         | FEP       | KL02AA3       |
| 24  | Motor flange            | -         |               |
| 25  | Kit oval flange OR EPDM | -         |               |
|     | Kit oval flange OR FPM  | -         |               |
| 30  | Impellers retainer      | KL41AAX   |               |

\* Recommended spare parts - Parti di ricambio consigliate

\* Pièces détachées conseillées - Empfohlene Ersatzteile

\*\* Motor spare parts: see motor lists - Parti di ricambio motore: vedi liste motore

\*\* Pièces détachées Moteur : voir listes moteur - Motor-Ersatzteile: gem. Motorlisten

1-22SVF\_6\_Sept10\_EdG

## 3SV F 4 Pole

| ELP 4 P, 3 -, 60  |             |             |             |             |             |             |             |             |              |
|-------------------|-------------|-------------|-------------|-------------|-------------|-------------|-------------|-------------|--------------|
| F Version<br>T -> | 3SV02F00246 | 3SV04F00246 | 3SV06F00246 | 3SV08F00246 | 3SV10F00246 | 3SV12F00246 | 3SV14F00346 | 3SV15F00346 | 3SV17F00346T |
|                   | 1016L7161   | 1016L7181   | 1016L7201   | 1016L7221   | 1016L7241   | 1016L7261   | 1016L7281   | 1016L7291   | 1016L7311    |
|                   | 3SV19F00346 | 3SV21F00546 | 3SV23F00546 |             |             |             |             |             |              |
|                   | 1016L7331   | 1016L7351   | 1016L7371   |             |             |             |             |             |              |

### Single Unit and Kit

| 8  |                  |           |           |           |           |           |           |           |           |           |
|----|------------------|-----------|-----------|-----------|-----------|-----------|-----------|-----------|-----------|-----------|
| 10 | Sleeve F-T       | 166443040 | 166443060 | 166443080 | 166443120 | 166443150 | 166443180 | 166443220 | 166443230 | 166443260 |
|    |                  | 166443300 | 166443320 | 166443360 |           |           |           |           |           |           |
| 11 | Shaft A304       | 165050040 | 165050060 | 165050080 | 165050120 | 165050150 | 165050180 | 165050220 | 165050230 | 165050260 |
|    |                  | 165050300 | 165050320 | 165050360 |           |           |           |           |           |           |
| 31 | Tie rods SVF kit | KL22AK5   | KL22AK6   |           | KL22ABP   | KL22ALC   | KL22ALE   | KL22ALG   | KL22ALH   | KL22ALL   |
|    |                  | KL22ALM   | KL22ALN   | KL22ALQ   |           |           |           |           |           |           |

### Motor, Coupling, Motor Adaptor

| Motor power kW> | 0,25 | 0,25 | 0,25 | 0,25 | 0,25 | 0,25 | 0,37 | 0,37 | 0,37 |
|-----------------|------|------|------|------|------|------|------|------|------|
|                 | 0,37 | 0,55 | 0,55 |      |      |      |      |      |      |

|     |                 |           |           |           |
|-----|-----------------|-----------|-----------|-----------|
| **1 | kW >            | 0,25      | 0,37      | 0,55      |
|     | Motor 4P, 3 ->  | 107230640 | 107230700 | 107230760 |
| 2   | Adaptor         | 161470700 | 161470700 | 161470700 |
| 23  | Lifting bracket | -         | -         | -         |
| 27  | Coupling guard  | KL33AAM   | KL33AAM   | KL33AAM   |
| 26  | Coupling        | KL10ABC   | KL10ABC   | KL10ABC   |

### Wear Parts kit

| up to model (->) | -> 3SV10   | -> 3SV20 | -> 3SV27 |         |
|------------------|------------|----------|----------|---------|
| *34              | Wear parts | KL35AEE  | KL35AEF  | KL35AEG |

### Mechanical seal Kit : Mech seal D12 + sleeve OR

|      |              |         |         |                              |
|------|--------------|---------|---------|------------------------------|
| *20A | Materials -> | Q1BEGG  | KL01AAD | Std -> Seal Q1BEGG - OR EPDM |
|      |              | Q1Q1EGG | KL01AC7 |                              |
|      |              | Q1BVGG  | KL01AAG |                              |
|      |              | Q1Q1VGG | KL01AC9 |                              |
|      |              | Q1CTGG  | KL01ADB |                              |
|      |              | Q1Q1TGG | KL01ADD |                              |

### Common, Single Unit and kit

|     |                       |           |             |
|-----|-----------------------|-----------|-------------|
| 3   | Base                  | 161431310 | -> 1-3-5SVF |
| 4   | Plugs                 | EPDM      | KL34AAT     |
|     |                       | FPM       | KL34AAL     |
|     |                       | FEP       | KL34AAM     |
| 5   | Upper holder          | -         |             |
| *9  | Impeller SVF 3SV A304 | 150703610 |             |
| 13  | Seal housing disc     | 150102920 |             |
| 14  | Pump body             | 151302320 |             |
| 15  | Diffuser              | 152803110 |             |
| 16  | Last stage diffuser   | 152803010 |             |
| 17  | First stage box       | 152802910 |             |
| *21 | OR                    | EPDM      | KL02AA1     |
|     |                       | FPM       | KL02AA2     |
|     |                       | FEP       | KL02AA3     |
| 24  | Motor flange          | -         |             |
| 30  | Impellers retainer    | KL41AAX   |             |

### Parts 1-3SV with less impellers

-> both SV el.pumps 2 - 4 Pole

|  |                               |           |
|--|-------------------------------|-----------|
|  | Spacer in place of impeller   | 162503832 |
|  | Diffuser box empty            | 162801612 |
|  | Last stage diffuser box empty | 162801722 |

\* Recommended spare parts - Parti di ricambio consigliate

\* Pièces détachées conseillées - Empfohlene Ersatzteile

\*\* Motor spare parts: see motor lists - Parti di ricambio motore: vedi liste motore

\*\* Pièces détachées Moteur : voir listes moteur - Motor-Ersatzteile: gem. Motorlisten

1-22SVF\_6\_Sept10\_EdG

## 5SV F 2 Pole 60Hz

Production date >Sept 2010

| ELP 2 P 60 |           |            |            |            |            |            |            |            |            |            |            |
|------------|-----------|------------|------------|------------|------------|------------|------------|------------|------------|------------|------------|
| F Version  | M ->      | 5SV02F0056 | 5SV03F0076 | 5SV04F0116 | 5SV05F0156 | 5SV06F0156 | 5SV07F0226 | 5SV08F0226 | 5SV09F0226 | 5SV10F0306 | 5SV11F0306 |
|            | T ->      | 1016L6541  | 1016L6551  | 1016L6561  | 1016L6571  | 1016L6581  | 1016L6591  | 1016L6601  | 1016L6611  |            |            |
|            | M ->      | 1016L5301  | 1016L5311  | 1016L5321  | 1016L5331  | 1016L5341  | 1016L5351  | 1016L5361  | 1016L5371  | 1016L5381  | 1016L5391  |
|            | T ->      | 5SV12F0306 | 5SV13F0406 | 5SV14F0406 | 5SV15F0406 | 5SV16F0406 | 5SV17F0556 | 5SV19F0556 | 5SV21F0556 | 5SV23F0556 |            |
|            | M ->      |            |            |            |            |            |            |            |            |            |            |
| T ->       | 1016L5401 | 1016L5411  | 1016L5421  | 1016L5431  | 1016L5441  | 1016L5451  | 1016L5471  | 1016L5491  | 1016L5511  |            |            |

### Single Unit and Kit

|    |                  |           |           |           |           |           |           |           |           |           |           |
|----|------------------|-----------|-----------|-----------|-----------|-----------|-----------|-----------|-----------|-----------|-----------|
| 10 | Sleeve F-T       | 166443030 | 166443050 | 166443070 | 166443090 | 166443110 | 166443130 | 166443150 | 166443170 | 166443190 | 166443210 |
|    |                  | 166443230 | 166443250 | 166443270 | 166443290 | 166443310 | 166443330 | 166443370 | 166443410 | 166443450 |           |
| 11 | Shaft A304       | 165050030 | 165050050 | 165050070 | 165050090 | 165050110 | 165050130 | 165050150 | 165050170 | 165050190 | 165050210 |
|    |                  | 165050230 | 165050250 | 165050270 | 165050290 | 165050310 | 165050330 | 165050370 | 165050410 | 165050450 |           |
| 31 | Tie rods SVF kit | KL22AL7   | KL22AL8   | KL22AK7   | KL22AL9   | KL22AMA   | KL22AMB   | KL22ALC   | KL22AMC   | KL22AMD   | KL22AME   |
|    |                  | KL22ALH   | KL22AMF   | KL22AMG   | KL22AMH   | KL22AMK   | KL22AMT   | KL22AMU   | KL22AMM   | KL22AMN   |           |

### Motor, Coupling, Motor adaptor

| Motor power kW > | 0,55 | 0,75 | 1,1 | 1,5 | 1,5 | 2,2 | 2,2 | 2,2 | 3,0 | 3,0 |
|------------------|------|------|-----|-----|-----|-----|-----|-----|-----|-----|
|                  | 3,0  | 4,0  | 4,0 | 4,0 | 4,0 | 5,5 | 5,5 | 5,5 | 5,5 |     |

|     |                 |           |           |           |           |           |           |           |           |           |
|-----|-----------------|-----------|-----------|-----------|-----------|-----------|-----------|-----------|-----------|-----------|
| **1 | kW >            | 0,37      | 0,55      | 0,75      | 1,1       | 1,5       | 2,2       | 3,0       | 4,0       | 5,5       |
|     | Motor 2P, 1 ~>  | 107231020 | 107231040 | 107231100 | 107231120 | 107231140 | 50004FD00 |           |           |           |
|     | Motor 2P, 3 ~>  | 107230060 | 107230080 | 107230150 | 107230500 | 50000PD00 | 50001PD00 | 50002PF00 | 50008PG00 | 50013PE00 |
| 2   | Adaptor         | 161470700 | 161470700 | 161470720 | 161470720 | 161470740 | 161470740 | 161470760 | 161470760 | 161470760 |
| 23  | Lifting bracket | -         | -         | -         | -         | -         | -         | -         | -         | 161441050 |
| 26  | Coupling        | KL10ABC   | KL10ABC   | KL10ABD   | KL10ABD   | KL10ABE   | KL10ABE   | KL10ABF   | KL10ABK   | KL10ABL   |
| 27  | Coupling guard  | KL33AAM   | KL33AAM   | KL33AAN   | KL33AAN   | KL33AAP   | KL33AAP   | KL33AAQ   | KL33AAQ   | KL33AAQ   |

### Wear Parts kit

| up to model (->) | -> 5SV08   | -> 5SV16 | -> 5SV22 | -> 5SV28 |         |
|------------------|------------|----------|----------|----------|---------|
| *34              | Wear parts | KL35AEL  | KL35AEM  | KL35AEN  | KL35AEP |

### Mechanical seal Kit : Mech seal D12 + sleeve OR

|      |              |         |         |                              |
|------|--------------|---------|---------|------------------------------|
| *20A | Materials -> | Q1BEGG  | KL01AAD | Std -> Seal Q1BEGG - OR EPDM |
|      |              | Q1Q1EGG | KL01AC7 |                              |
|      |              | Q1BVGG  | KL01AAG |                              |
|      |              | Q1Q1VGG | KL01AC9 |                              |
|      |              | Q1CTGG  | KL01ADB |                              |
|      |              | Q1Q1TGG | KL01ADD |                              |

### Common, Single Unit and kit

|     |                         |           |                |
|-----|-------------------------|-----------|----------------|
| 3   | Base                    | 161431310 | -> 1-3-5SVF-R  |
| 4   | Plugs                   | EPDM      | KL34AAT        |
|     |                         | FPM       | KL34AAL        |
|     |                         | FEP       | KL34AAM        |
| 5   | Upper holder            | -         |                |
| *9  | Impeller 5SV A304       | 150703620 |                |
| 13  | Seal housing disc       | 150102920 |                |
| 14  | Pump body               | 151302400 | -> 5SVF        |
| 15  | Diffuser                | 152803120 |                |
| 16  | Last stage diffuser     | 152803020 |                |
| 17  | First stage box         | 152802920 |                |
| *21 | OR                      | EPDM      | KL02AA1        |
|     |                         | FPM       | KL02AA2        |
|     |                         | FEP       | KL02AA3        |
| 24  | Motor flange            | 161050700 | 1-3-5SV 5,5 kW |
| 25  | Kit oval flange OR EPDM | -         |                |
|     | Kit oval flange OR FPM  | -         |                |
| 30  | Impellers retainer      | KL41AAX   |                |

\* Recommended spare parts - Parti di ricambio consigliate

\* Pièces détachées conseillées - Empfohlene Ersatzteile

\*\* Motor spare parts: see motor lists - Parti di ricambio motore: vedi liste motore

\*\* Pièces détachées Moteur : voir listes moteur - Motor-Ersatzteile: gem. Motorlisten

1-22SVF\_6\_Sept10\_EdG

## 5SV F 4 Pole 60Hz

Production date >Sept 2010

| ELP 2 P 60 |                    |             |             |             |             |             |             |             |             |             |  |
|------------|--------------------|-------------|-------------|-------------|-------------|-------------|-------------|-------------|-------------|-------------|--|
| F Version  | 5SV03F00246        | 5SV05F00246 | 5SV07F00246 | 5SV09F00346 | 5SV11F00346 | 5SV13F00546 | 5SV15F00546 | 5SV17F00546 | 5SV19F00746 | 5SV21F00746 |  |
| T ->       | 1016L7441          | 1016L7461   | 1016L7481   | 1016L7501   | 1016L7521   | 1016L7541   | 1016L7561   | 1016L7581   | 1016L7601   | 1016L7621   |  |
|            | <b>5SV23F00746</b> |             |             |             |             |             |             |             |             |             |  |
| T ->       | 1016L7641          |             |             |             |             |             |             |             |             |             |  |

### Single Unit and Kit

|    |                  |           |           |           |           |           |           |           |           |           |           |
|----|------------------|-----------|-----------|-----------|-----------|-----------|-----------|-----------|-----------|-----------|-----------|
| 10 | Sleeve F-T       | 166443050 | 166443090 | 166443130 | 166443170 | 166443210 | 166443250 | 166443290 | 166443330 | 166443370 | 166443410 |
|    |                  | 166443450 |           |           |           |           |           |           |           |           |           |
| 11 | Shaft A304       | 165050050 | 165050090 | 165050130 | 165050170 | 165050210 | 165050250 | 165050290 | 165050330 | 165050370 | 165050410 |
|    |                  | 165050450 |           |           |           |           |           |           |           |           |           |
| 31 | Tie rods SVF kit | KL22AL8   | KL22AL9   | KL22AMB   | KL22AMC   | KL22AME   | KL22AMF   | KL22AMH   | KL22AMT   | KL22AMU   | KL22AMM   |
|    |                  | KL22AMN   |           |           |           |           |           |           |           |           |           |

### Motor, Coupling, Motor adaptor

| Motor power | 0,25 | 0,25 | 0,25 | 0,37 | 0,37 | 0,55 | 0,55 | 0,55 | 0,75 | 0,75 |
|-------------|------|------|------|------|------|------|------|------|------|------|
|             | 0,75 |      |      |      |      |      |      |      |      |      |

|     |                  |                  |           |                  |           |
|-----|------------------|------------------|-----------|------------------|-----------|
| **1 | kW >             | 0,25 kW          | 0,37 kW   | 0,55 kW          | 0,75 kW   |
|     | Motor 4P , 3 ~ > | <b>107230640</b> | 107230700 | <b>107230760</b> | 107230820 |
| 2   | Adaptor          | 161470700        | 161470700 | 161470700        | 161470720 |
| 23  | Lifting bracket  | -                | -         | -                | -         |
| 27  | Coupling guard   | KL33AAM          | KL33AAM   | KL33AAM          | KL33AAN   |
| 26  | Coupling         | KL10ABC          | KL10ABC   | KL10ABC          | KL10ABD   |

### Wear Parts kit

| up to model (->) | -> 5SV08                  | -> 5SV16  | -> 5SV22  | -> 5SV28  |         |
|------------------|---------------------------|-----------|-----------|-----------|---------|
|                  | 1 bearing                 | 2 bearing | 3 bearing | 4 bearing |         |
| *34              | Wear parts incl. OR, EPDM | KL35AEL   | KL35AEM   | KL35AEN   | KL35AEP |

### Mechanical seal Kit : Mech seal D12 + sleeve OR

|      |              |                |         |                              |
|------|--------------|----------------|---------|------------------------------|
| *20A | Materials -> | <b>Q1BEGG</b>  | KL01AAD | Std -> Seal Q1BEGG - OR EPDM |
|      |              | <b>Q1Q1EGG</b> | KL01AC7 |                              |
|      |              | <b>Q1BVGG</b>  | KL01AAG |                              |
|      |              | <b>Q1Q1VGG</b> | KL01AC9 |                              |
|      |              | <b>Q1CTGG</b>  | KL01ADB |                              |
|      |              | <b>Q1Q1TGG</b> | KL01ADD |                              |

### Common, Single Unit and kit

|     |                     |           |             |
|-----|---------------------|-----------|-------------|
| 3   | Base                | 161431310 | -> 1-3-5SVF |
| 4   | Plugs               | EPDM      | KL34AAT     |
|     |                     | FPM       | KL34AAL     |
|     |                     | FEP       | KL34AAM     |
| 5   | Upper holder        | -         |             |
| *9  | Impeller 5SV A304   | 150703620 |             |
| 13  | Seal housing disc   | 150102920 |             |
| 14  | Pump body           | 151302400 |             |
| 15  | Diffuser            | 152803120 |             |
| 16  | Last stage diffuser | 152803020 |             |
| 17  | First stage box     | 152802920 |             |
| *21 | OR                  | EPDM      | KL02AA1     |
|     |                     | FPM       | KL02AA2     |
|     |                     | FEP       | KL02AA3     |
| 24  | Motor flange        | -         |             |
| 30  | Impellers retainer  | KL41AAX   |             |

### Parts 5SV with less impellers

-> both SV el.pumps 2 - 4 Pole

|  |                               |           |
|--|-------------------------------|-----------|
|  | Spacer in place of impeller   | 162503842 |
|  | Diffuser box empty            | 162801622 |
|  | Last stage diffuser box empty | 162801722 |

\* Recommended spare parts - Parti di ricambio consigliate

\* Pièces détachées conseillées - Empfohlene Ersatzteile

\*\* Motor spare parts: see motor lists - Parti di ricambio motore: vedi liste motore

\*\* Pièces détachées Moteur : voir listes moteur - Motor-Ersatzteile: gem. Motorlisten

1-22SVF\_6\_Sept10\_Edg



## 10SVF 2 Pole 60Hz

| ELP 2P 60 |     | 10SV01F0076 | 10SV02F0156 | 10SV03F0226 | 10SV04F0306 | 10SV05F0406 | 10SV06F0406 | 10SV07F0556 | 10SV08F0556 | 10SV09F0756 | 10SV10F0756 |
|-----------|-----|-------------|-------------|-------------|-------------|-------------|-------------|-------------|-------------|-------------|-------------|
| F Version | M-> | 1016L6661   | 1016L6671   | 1016L6681   |             |             |             |             |             |             |             |
|           | T-> | 1016L5561   | 1016L5571   | 1016L5581   | 1016L5591   | 1016L5601   | 1016L5611   | 1016L5621   | 1016L5631   | 1016L5641   | 1016L5651   |
|           |     | 10SV11F0756 | 10SV13F1106 | 10SV15F1106 |             |             |             |             |             |             |             |
|           | M-> |             |             |             |             |             |             |             |             |             |             |
|           | T-> | 1016L5661   | 1016L5681   | 1016L5701   |             |             |             |             |             |             |             |

### Single Unit and Kit

|    |                |           |            |            |           |           |           |           |           |           |           |
|----|----------------|-----------|------------|------------|-----------|-----------|-----------|-----------|-----------|-----------|-----------|
| 10 | Sleeve F-T     | 166444020 | 166444020  | 166444030  | 166444040 | 166444060 | 166444070 | 166444080 | 166444100 | 166444110 | 166444120 |
|    |                | 166444140 | 166444160  | 166444190  |           |           |           |           |           |           |           |
| 11 | Shaft A304     | 165051020 | 165051020  | 165051030  | 165051040 | 165051060 | 165051070 | 165051080 | 165051100 | 165051110 | 165051120 |
|    |                | 165051140 | 165051160B | 165051190B |           |           |           |           |           |           |           |
| 31 | Tie rods SVF K | KL22AM2   | KL22AM2    | KL22AB4    | KL22AM4   | KL22AM6   | KL22AM7   | KL22AM8   | KL22ANA   | KL22AB9   | KL22ANC   |
|    |                | KL22ANE   | KL22ANG    | KL22ANL    |           |           |           |           |           |           |           |

### Motor, Coupling, Motor Adaptor

| Motor power kW > | 0,75 | 1,5  | 2,2  | 3,0 | 4,0 | 4,0 | 5,5 | 5,5 | 7,5 | 7,5 |
|------------------|------|------|------|-----|-----|-----|-----|-----|-----|-----|
|                  | 7,5  | 11,0 | 11,0 |     |     |     |     |     |     |     |

|     |                 |           |           |           |           |           |           |           |           |
|-----|-----------------|-----------|-----------|-----------|-----------|-----------|-----------|-----------|-----------|
| **1 | kW ->           | 0,75      | 1,5       | 2,2       | 3,0       | 4,0       | 5,5       | 7,5       | 11,0      |
|     | Motor 2 P, 1~>  | 107231100 | 107231140 | 50004FD00 |           |           |           |           |           |
|     | Motor 2 P, 3 -> | 107230150 | 50000RD00 | 50001PD00 | 50002PF00 | 50008PG00 | 50013PE00 | 50017PB00 | 50019PE00 |
| 2   | Adaptor         | 161470800 | 161470820 | 161470820 | 161470840 | 161470840 | 161470860 | 161470860 | 161470880 |
| 23  | Lifting bracket | -         | -         | -         | -         | -         | 161441050 | 161441050 | 161441060 |
| 26  | Coupling        | KL10ABG   | KL10ABH   | KL10ABH   | KL10ABK   | KL10ABK   | KL10ABZ   | KL10ABZ   | KL10AB0   |
| 27  | Coupling guard  | KL33AAR   | KL33AAS   | KL33AAS   | KL33AAT   | KL33AAT   | KL33AAU   | KL33AAU   | KL33AAU   |

### Wear Parts Kit

|                  |           |           |
|------------------|-----------|-----------|
| up to model (->) | ->10SV09  | ->10SV16  |
|                  | 1 bearing | 2 bearing |
| *34 Wear parts   | KL35AER   | KL35AES   |

### Mechanical seal Kit : Mech seal D16 + OR

|      |             |                |         |  |
|------|-------------|----------------|---------|--|
| *20A | Materials-> | <b>Q1BEGG</b>  | KL01AAE | Std -> Seal Q1BEGG - sleeve OR EPDM / Unbalanced : 10-15-22SV < / = 4 kW       |
|      |             | <b>Q1Q1EGG</b> | KL01AC8 |  |
|      |             | <b>Q1BVGG</b>  | KL01AAH |  |
|      |             | <b>Q1Q1VGG</b> | KL01ADA |  |
|      |             | <b>Q1CTGG</b>  | KL01ADC |  |
|      |             | <b>Q1Q1TGG</b> | KL01ADE |  |
| *20  | Materials-> | <b>Q1BEGG</b>  | KL01AD7 | Std -> Seal Q1BEGG - upper holder OR EPDM / Balanced : 10-15-22SV = / > 5,5 kW |
|      |             | <b>Q1Q1EGG</b> | KL01AD3 |  |
|      |             | <b>Q1BVGG</b>  | KL01AD2 |  |
|      |             | <b>Q1Q1VGG</b> | KL01AD4 |  |
|      |             | <b>Q1CTGG</b>  | KL01AD9 |  |
|      |             | <b>Q1Q1TGG</b> | KL01AEA |  |

### Common, Single Unit and Kit

|     |                         |           |                                    |
|-----|-------------------------|-----------|------------------------------------|
| 3   | Base                    | 161431330 | -> 10SV                            |
| 4   | Plugs                   | EPDM      | KL34AAT                            |
|     |                         | FPM       | KL34AAL                            |
|     |                         | FEP       | KL34AAM                            |
| 5   | Upper holder            | -         | Up to 4,0 kW included              |
|     |                         | 160103710 | Over 5,5 kW                        |
|     |                         | 160103730 | Part holed for tap                 |
| *9  | Impeller10 SV A304      | 150703630 |                                    |
| 13  | Seal housing disc       | 150102940 | Up to 4,0 kW included              |
|     |                         | 150102960 | Over 5,5 kW                        |
| 14  | Pump body               | 151302450 |                                    |
| 15  | Diffuser                | 152803130 |                                    |
| 16  | Last stage diffuser     | 152803030 |                                    |
| 17  | First stage box         | 152802930 |                                    |
| *21 | OR                      | EPDM      | KL02AA4                            |
|     |                         | FPM       | KL02AA5                            |
|     |                         | FEP       | KL02AA6                            |
| 24  | Motor flange            | -         |                                    |
| 25  | Kit oval flange OR EPDM | -         |                                    |
|     | Kit oval flange OR FPM  | -         |                                    |
| 30  | Impellers retainer      | KL41AAY   | Unbalanced : 10-15-22SV < / = 4 kW |
| 30  | Bush seal kit           | KL41AA1   | Balanced : 10-15-22SV = / > 5,5 kW |

\* Recommended spare parts - Parti di ricambio consigliate

\* Pièces détachées conseillées - Emprionien Ersatzteile

\*\* Motor spare parts: see motor lists - Parti di ricambio motore: vedi liste motore

\*\* Pièces détachées Moteur : voir listes moteur - Motor-Ersatzteile: gem. Motorlister

## 10SVF 4 Pole 60Hz

|                 |              |              |              |              |              |              |              |
|-----------------|--------------|--------------|--------------|--------------|--------------|--------------|--------------|
| ELP 4P, 3 ~, 60 |              |              |              |              |              |              |              |
| Version F       | 10SV03F00546 | 10SV05F00546 | 10SV07F00746 | 10SV09F00746 | 10SV11F01146 | 10SV13F01146 | 10SV15F01546 |
| T ->            | 1016L7711    | 1016L7731    | 1016L7751    | 1016L7771    | 1016L7791    | 1016L7811    | 1016L7831    |

### Single Unit and Kit

|    |                |           |           |           |           |           |           |           |
|----|----------------|-----------|-----------|-----------|-----------|-----------|-----------|-----------|
| 10 | Sleeve F-T     | 166444030 | 166444060 | 166444080 | 166444110 | 166444140 | 166444160 | 166444190 |
| 11 | Shaft A304     | 165051030 | 165051060 | 165051080 | 165051110 | 165051140 | 165051160 | 165051190 |
| 31 | Tie rods SVF K | KL22AB4   | KL22AM6   | KL22AM8   | KL22AB9   | KL22ANE   | KL22ANG   | KL22ANL   |

### Motor, Coupling, Motor Adaptor

|                  |      |      |      |      |     |     |     |
|------------------|------|------|------|------|-----|-----|-----|
| Mot. power, kW > | 0,55 | 0,55 | 0,75 | 0,75 | 1,1 | 1,1 | 1,5 |
|------------------|------|------|------|------|-----|-----|-----|

|     |                 |           |           |           |           |
|-----|-----------------|-----------|-----------|-----------|-----------|
| **1 | kW >            | 0,55      | 0,75      | 1,1       | 1,5       |
|     | Motor 4P ->     | 107230760 | 107230820 | 50005RD00 | 50006RD00 |
| 2   | Adaptor         | 161470800 | 161470800 | 161470820 | 161470820 |
| 23  | Lifting bracket | -         | -         | -         | -         |
| 26  | Coupling        | KL10ABG   | KL10ABG   | KL10ABH   | KL10ABH   |
| 27  | Coupling guard  | KL33AAR   | KL33AAR   | KL33AAS   | KL33AAS   |

### Wear Parts Kit

|                  |            |           |           |
|------------------|------------|-----------|-----------|
|                  |            | ->10SV09  | ->10SV16  |
| up to model (->) |            | 1 bearing | 2 bearing |
| *34              | Wear parts | KL35AER   | KL35AES   |

### Mechanical seal Kit : Mech seal D16 + OR

|      |             |         |         |   |
|------|-------------|---------|---------|---|
| *20A | Materials-> | Q1BEGG  | KL01AAE | Std -> Seal Q1BEGG - sleeve OR EPDM / Unbalanced : 10-15-22SV </ = 4 kW |
|      |             | Q1Q1EGG | KL01AC8 |   |
|      |             | Q1BVGG  | KL01AAH |   |
|      |             | Q1Q1VGG | KL01ADA |   |
|      |             | Q1CTGG  | KL01ADC |   |
|      |             | Q1Q1TGG | KL01ADE |   |

### Common, Single Unit and Kit

|     |                     |           |                                    |
|-----|---------------------|-----------|------------------------------------|
| 3   | Base                | 161431330 | -> 10SV                            |
| 4   | Plugs               | EPDM      | KL34AAT                            |
|     |                     | FPM       | KL34AAL                            |
|     |                     | FEP       | KL34AAM                            |
| 5   | Upper holder        | -         |                                    |
| *9  | Impeller10 SV A304  | 150703630 |                                    |
| 13  | Seal housing disc   | 150102940 |                                    |
| 14  | Pump body           | 151302450 |                                    |
| 15  | Diffuser            | 152803130 |                                    |
| 16  | Last stage diffuser | 152803030 |                                    |
| 17  | First stage box     | 152802930 |                                    |
| *21 | OR                  | EPDM      | KL02AA4                            |
|     |                     | FPM       | KL02AA5                            |
|     |                     | FEP       | KL02AA6                            |
|     |                     |           | All Versions, wear OR not included |
| 24  | Motor flange        | -         |                                    |
| 30  | Impellers retainer  | KL41AAY   |                                    |

### Parts 10SV with less impellers

-> both SV el.pumps 2 - 4 Pole

|  |                               |           |
|--|-------------------------------|-----------|
|  | Spacer in place of impeller   | 162503852 |
|  | Diffuser box empty            | 162801632 |
|  | Last stage diffuser box empty | 162801752 |

\* Recommended spare parts - Parti di ricambio consigliate

\* Pièces détachées conseillées - Empfohlene Ersatzteile

\*\* Motor spare parts: see motor lists - Parti di ricambio motore: vedi liste motore

\*\* Pièces détachées Moteur : voir listes moteur - Motor-Ersatzteile: gem. Motorlisten

1-22SVF\_6\_Sept10\_EdG

## 15SVF 2 Pole 60Hz

| ELP 2P 60 |               |             |             |             |             |             |             |             |             |             |
|-----------|---------------|-------------|-------------|-------------|-------------|-------------|-------------|-------------|-------------|-------------|
| F Version | 15SV01F0156   | 15SV02F0306 | 15SV03F0406 | 15SV04F0556 | 15SV05F0756 | 15SV06F1106 | 15SV07F1106 | 15SV08F1506 | 15SV09F1506 | 15SV10F1506 |
|           | M-> 1016L6731 |             |             |             |             |             |             |             |             |             |
|           | T-> 1016L5751 | 1016L5761   | 1016L5771   | 1016L5781   | 1016L5791   | 1016L5801   | 1016L5811   | 1016L5821   | 1016L5831   | 1016L5841   |
|           |               | 15SV11F1856 | 15SV12F1856 |             |             |             |             |             |             |             |
|           | M->           |             |             |             |             |             |             |             |             |             |
| T->       | 1016L5851     | 1016L5861   |             |             |             |             |             |             |             |             |

### Single Unit and Kit

|    |              |            |            |           |           |           |            |            |            |            |            |
|----|--------------|------------|------------|-----------|-----------|-----------|------------|------------|------------|------------|------------|
| 10 | Sleeve F - T | 166444030  | 166444030  | 166444050 | 166444070 | 166444090 | 166444110  | 166444130  | 166444150  | 166444170  | 166444190  |
|    |              | 166444210  | 166444230  |           |           |           |            |            |            |            |            |
| 11 | Shaft A304   | 165051030  | 165051030  | 165051050 | 165051070 | 165051090 | 165051110B | 165051130B | 165051150B | 165051170B | 165051190B |
|    |              | 165051210B | 165051230B |           |           |           |            |            |            |            |            |
| 31 | Tie rods SVF | KL22AB4    | KL22AB4    | KL22AM5   | KL22AM7   | KL22AM9   | KL22AB9    | KL22AND    | KL22ANF    | KL22ANH    | KL22ANL    |
|    |              | KL22ANN    | KL22ANQ    |           |           |           |            |            |            |            |            |

### Motor, Coupling, Motor Adaptor

| Motor power kW > | 1,5  | 3,0  | 4,0 | 5,5 | 7,5 | 11,0 | 11,0 | 15,0 | 15,0 | 15,0 |
|------------------|------|------|-----|-----|-----|------|------|------|------|------|
| 18,5 >           | 18,5 | 18,5 |     |     |     |      |      |      |      |      |

|     |                 |           |           |           |           |           |           |           |           |
|-----|-----------------|-----------|-----------|-----------|-----------|-----------|-----------|-----------|-----------|
| **1 | kW ->           | 1,5       | 3,0       | 4,0       | 5,5       | 7,5       | 11,0      | 15,0      | 18,5      |
|     | Motor 2 P, 1~>  | 107231140 |           |           |           |           |           |           |           |
|     | Motor 2 P, 3~>  | 50000PD00 | 50002PF00 | 50008PG00 | 50013PE00 | 50017PB00 | 50019PE00 | 50024PB00 | 50025PB00 |
| 2   | Adaptor         | 161470800 | 161470840 | 161470840 | 161470860 | 161470860 | 161470880 | 161470880 | 161470880 |
| 23  | Lifting bracket | -         | -         | -         | 161441050 | 161441050 | 161441060 | 161441060 | 161441060 |
| 26  | Coupling        | KL10ABG   | KL10ABK   | KL10ABK   | KL10ABZ   | KL10ABZ   | KL10AB0   | KL10AB0   | KL10AB0   |
| 27  | Coupling guard  | KL33AAR   | KL33AAT   | KL33AAT   | KL33AAU   | KL33AAU   | KL33AAU   | KL33AAU   | KL33AAU   |

### Wear Parts Kit

| up to model (->) | ->15SV06  | ->15SV11  | ->15SV17  |
|------------------|-----------|-----------|-----------|
| *34   Wear parts | 1 bearing | 2 bearing | 3 bearing |
|                  | KL35AEU   | KL35AEV   | KL35AEW   |

### Mechanical seal Kit : Mech seal D16 + OR

|      |             |         |         |  |
|------|-------------|---------|---------|--|
| *20A | Materials-> | Q1BEGG  | KL01AAE | Std -> Seal Q1BEGG - sleeve OR EPDM / Unbalanced : 10-15-22SV < / = 4 kW       |
|      |             | Q1Q1EGG | KL01AC8 |  |
|      |             | Q1BVGG  | KL01AAH |  |
|      |             | Q1Q1VGG | KL01ADA |  |
|      |             | Q1CTGG  | KL01ADC |  |
|      |             | Q1Q1TGG | KL01ADE |  |
| *20  | Materials-> | Q1BEGG  | KL01AD7 | Std -> Seal Q1BEGG - upper holder OR EPDM / Balanced : 10-15-22SV = / > 5,5 kW |
|      |             | Q1Q1EGG | KL01AD3 |  |
|      |             | Q1BVGG  | KL01AD2 |  |
|      |             | Q1Q1VGG | KL01AD4 |  |
|      |             | Q1CTGG  | KL01AD9 |  |
|      |             | Q1Q1TGG | KL01AEA |  |

### Common, Single Unit and Kit

|     |                         |           |                                    |
|-----|-------------------------|-----------|------------------------------------|
| 3   | Base                    | 161431350 | -> 15-22SV                         |
| 4   | Plugs                   | EPDM      | KL34AAT                            |
|     |                         | FPM       | KL34AAL                            |
|     |                         | FEP       | KL34AAM                            |
| 5   | Upper holder            | -         | Up to 4,0 kW included              |
|     |                         | 160103710 | Over 5,5 kW                        |
|     |                         | 160103730 | Part holed for tap                 |
| *9  | Impeller 15SV A304      | 150703640 |                                    |
| 13  | Seal housing disc       | 150102940 | Up to 4,0 kW included              |
|     |                         | 150102960 | Over 5,5 kW                        |
| 14  | Pump body               | 151302600 |                                    |
| 15  | Diffuser                | 152803150 |                                    |
| 16  | Last stage diffuser     | 152803050 |                                    |
| 17  | First stage box         | 152802950 |                                    |
| *21 | OR                      | EPDM      | KL02AA4                            |
|     |                         | FPM       | KL02AA5                            |
|     |                         | FEP       | KL02AA6                            |
| 24  | Motor flange            | -         |                                    |
| 25  | Kit oval flange OR EPDM | -         |                                    |
|     | Kit oval flange OR FPM  | -         |                                    |
| 30  | Impellers retainer      | KL41AAY   | Unbalanced : 10-15-22SV < / = 4 kW |
| 30  | Bush seal kit           | KL41AA1   | Balanced : 10-15-22SV = / > 5,5 kW |

\* Recommended spare parts - Parti di ricambio consigliate

\* Pièces détachées conseillées - Empfohlene Ersatzteile

\*\* Motor spare parts: see motor lists - Parti di ricambio motore: vedi liste motore

\*\* Pièces détachées Moteur : voir listes moteur - Motor-Ersatzteile: gem. Motorlister

## 15SVF 4 Pole 60Hz

| ELP 4P, 3 ~, 60   |              |              |              |              |              |              |              |
|-------------------|--------------|--------------|--------------|--------------|--------------|--------------|--------------|
| F Version<br>T -> | 15SV03F00546 | 15SV04F00746 | 15SV05F01146 | 15SV06F01146 | 15SV07F01546 | 15SV09F02246 | 15SV11F02246 |
|                   | 1016L7901    | 1016L7911    | 1016L7921    | 1016L7931    | 1016L7941    | 1016L7961    | 1016L7981    |
|                   | 15SV12F02246 |              |              |              |              |              |              |
|                   | 1016L7991    |              |              |              |              |              |              |

### Single Unit and Kit

|    |                  |           |           |           |           |           |           |           |
|----|------------------|-----------|-----------|-----------|-----------|-----------|-----------|-----------|
| 10 | Sleeve F-T       | 166444050 | 166444070 | 166444090 | 166444110 | 166444130 | 166444170 | 166444210 |
|    |                  | 166444230 |           |           |           |           |           |           |
| 11 | Shaft A304       | 165051050 | 165051070 | 165051090 | 165051110 | 165051130 | 165051170 | 165051210 |
|    |                  | 165051230 |           |           |           |           |           |           |
| 31 | Tie rods SVF Kit | KL22AM5   | KL22AM7   | KL22AM9   | KL22AB9   | KL22AND   | KL22ANH   | KL22ANN   |
|    |                  | KL22ANQ   |           |           |           |           |           |           |

### Motor, Coupling, Motor Adaptor

| Mot.power, kW > | 0,55 | 0,75 | 1,1 | 1,1 | 1,5 | 2,2 | 2,2 |
|-----------------|------|------|-----|-----|-----|-----|-----|
|                 | 2,2  |      |     |     |     |     |     |

| **1 | kW >            | 0,55      | 0,75      | 1,1       | 1,5       | 2,2       |
|-----|-----------------|-----------|-----------|-----------|-----------|-----------|
|     | Motor 4P ->     | 107230760 | 107230820 | 50005RD00 | 50006RD00 | 50010RD00 |
| 2   | Adaptor         | 161470800 | 161470800 | 161470820 | 161470820 | 161470840 |
| 23  | Lifting bracket | -         | -         | -         | -         | -         |
| 26  | Coupling        | KL10ABG   | KL10ABG   | KL10ABH   | KL10ABH   | KL10ABK   |
| 27  | Coupling guard  | KL33AAR   | KL33AAR   | KL33AAS   | KL33AAS   | KL33AAT   |

### Wear Parts Kit

|                  | ->15SV06  | ->15SV11  | ->15SV17  |
|------------------|-----------|-----------|-----------|
| up to model (->) | 1 bearing | 2 bearing | 3 bearing |
| *34 Wear parts   | KL35AEU   | KL35AEV   | KL35AEW   |

### Mechanical seal Kit : Mech seal D16 + OR

| *20A | Materials-> | Q1BEGG  | KL01AAE | Std -> Seal Q1BEGG - sleeve OR EPDM / Unbalanced : 10-15-22SV </ = 4 kW |
|------|-------------|---------|---------|---|
|      |             | Q1Q1EGG | KL01AC8 |   |
|      |             | Q1BVGG  | KL01AAH |   |
|      |             | Q1Q1VGG | KL01ADA |   |
|      |             | Q1CTGG  | KL01ADC |   |
|      |             | Q1Q1TGG | KL01ADE |   |

### Common, Single Unit and Kit

|     |                     |           |            |
|-----|---------------------|-----------|------------|
| 3   | Base                | 161431350 | -> 15-22SV |
| 4   | Plugs               | EPDM      | KL34AAT    |
|     |                     | FPM       | KL34AAL    |
|     |                     | FEP       | KL34AAM    |
| 5   | Upper holder        | -         |            |
| *9  | Impeller 15SV A304  | 150703640 |            |
| 13  | Seal housing disc   | 15102940  |            |
| 14  | Pump body           | 151302600 |            |
| 15  | Diffuser            | 152803150 |            |
| 16  | Last stage diffuser | 152803050 |            |
| 17  | First stage box     | 152802950 |            |
| *21 | OR                  | EPDM      | KL02AA4    |
|     |                     | FPM       | KL02AA5    |
|     |                     | FEP       | KL02AA6    |
| 24  | Motor flange        | -         |            |
| 30  | Impellers retainer  | KL41AA Y  |            |

### Parts 15-22SV with less impellers

-> both SV el.pumps 2 - 4 Pole

|  |                               |           |
|--|-------------------------------|-----------|
|  | Spacer in place of impeller   | 162503872 |
|  | Diffuser box empty            | 162801652 |
|  | Last stage diffuser box empty | 162801752 |

\* Recommended spare parts - Parti di ricambio consigliate

\* Pièces détachées conseillées - Empfohlene Ersatzteile

\*\* Motor spare parts: see motor lists - Parti di ricambio motore: vedi liste motore

\*\* Pièces détachées Moteur : voir listes moteur - Motor-Ersatzteile: gem. Motorlisten

## 22SVF 2 Pole 60Hz

| ELP 2P 60 |     | 22SV01F0226 | 22SV02F0406 | 22SV03F0556 | 22SV04F0756 | 22SV05F1106 | 22SV06F1106 | 22SV07F1506 | 22SV08F1506 | 22SV09F1856 | 22SV10F1856 |
|-----------|-----|-------------|-------------|-------------|-------------|-------------|-------------|-------------|-------------|-------------|-------------|
| F Version | M-> | 1016L6781   |             |             |             |             |             |             |             |             |             |
|           | T-> | 1016L5911   | 1016L5921   | 1016L5931   | 1016L5941   | 1016L5951   | 1016L5961   | 1016L5971   | 1016L5981   | 1016L5991   | 1016L6001   |

### Single Unit and Kit

|    |              |           |           |           |           |            |            |            |            |            |            |
|----|--------------|-----------|-----------|-----------|-----------|------------|------------|------------|------------|------------|------------|
| 10 | Sleeve F-T   | 166444030 | 166444030 | 166444050 | 166444070 | 166444090  | 166444110  | 166444130  | 166444150  | 166444170  | 166444190  |
| 11 | Shaft A304   | 165051030 | 165051030 | 165051050 | 165051070 | 165051090B | 165051110B | 165051130B | 165051150B | 165051170B | 165051190B |
| 31 | Tie rods SVF | KL22AB4   | KL22AB4   | KL22AM5   | KL22AM7   | KL22AM9    | KL22AB9    | KL22AND    | KL22ANF    | KL22ANH    | KL22ANL    |

### Motor, Coupling, Motor Adaptor

| Motor power<br>kW > | 2,2 | 4,0 | 5,5 | 7,5 | 11,0 | 11,0 | 15,0 | 18,5 | 18,5 | 18,5 |
|---------------------|-----|-----|-----|-----|------|------|------|------|------|------|
|---------------------|-----|-----|-----|-----|------|------|------|------|------|------|

| **1 | kW ->           | 2,2       | 4,0       | 5,5       | 7,5       | 11,0      | 15,0      | 18,5      |
|-----|-----------------|-----------|-----------|-----------|-----------|-----------|-----------|-----------|
|     | Motor 2 P, 1~>  | 50004FD00 |           |           |           |           |           |           |
|     | Motor 2 P, 3 -> | 50001PD00 | 50008PG00 | 50013PE00 | 50017PB00 | 50019PE00 | 50024PB00 | 50025PB00 |
| 2   | Adaptor         | 161470820 | 161470840 | 161470860 | 161470860 | 161470880 | 161470880 | 161470880 |
| 23  | Lifting bracket | -         | -         | 161441050 | 161441050 | 161441060 | 161441060 | 161441060 |
| 26  | Coupling        | KL10ABH   | KL10ABK   | KL10ABZ   | KL10ABZ   | KL10AB0   | KL10AB0   | KL10AB0   |
| 27  | Coupling guard  | KL33AAS   | KL33AAU   | KL33AAU   | KL33AAU   | KL33AAU   | KL33AAU   | KL33AAU   |

### Wear Parts Kit

|                  | ->22SV06  | ->22SV11  |
|------------------|-----------|-----------|
| up to model (->) | 1 bearing | 2 bearing |
| *34 Wear parts   | KL35AEU   | KL35AEV   |

### Mechanical seal Kit : Mech seal D16 + OR

|      |             |                |         |  |
|------|-------------|----------------|---------|--|
| *20A | Materials-> | <b>Q1BEGG</b>  | KL01AAE | Std -> Seal Q1BEGG - sleeve OR EPDM / Unbalanced : 10-15-22SV < / = 4 kW       |
|      |             | <b>Q1Q1EGG</b> | KL01AC8 |  |
|      |             | <b>Q1BVGG</b>  | KL01AAH |  |
|      |             | <b>Q1Q1VGG</b> | KL01ADA |  |
|      |             | <b>Q1CTGG</b>  | KL01ADC |  |
|      |             | <b>Q1Q1TGG</b> | KL01ADE |  |
| *20  | Materials-> | <b>Q1BEGG</b>  | KL01AD7 | Std -> Seal Q1BEGG - upper holder OR EPDM / Balanced : 10-15-22SV = / > 5,5 kW |
|      |             | <b>Q1Q1EGG</b> | KL01AD3 |  |
|      |             | <b>Q1BVGG</b>  | KL01AD2 |  |
|      |             | <b>Q1Q1VGG</b> | KL01AD4 |  |
|      |             | <b>Q1CTGG</b>  | KL01AD9 |  |
|      |             | <b>Q1Q1TGG</b> | KL01AEA |  |

### Common, Single Unit and Kit

|     |                         |           |                                    |
|-----|-------------------------|-----------|------------------------------------|
| 3   | Base                    | 161431350 | -> 15-22SV                         |
| 4   | Plugs                   | EPDM      | KL34AAT                            |
|     |                         | FPM       | KL34AAL                            |
|     |                         | FEP       | KL34AAM                            |
| 5   | Upper holder            | -         | Up to 4,0 kW included              |
|     |                         | 160103710 | Over 5,5 kW                        |
|     |                         | 160103730 | Part holed for tap                 |
| *9  | Impeller 22SV A304      | 150703650 |                                    |
| 13  | Seal housing disc       | 150102940 | Up to 4,0 kW included              |
|     |                         | 150102960 | Over 5,5 kW                        |
| 14  | Pump body               | 151302600 |                                    |
| 15  | Diffuser                | 152803150 |                                    |
| 16  | Last stage diffuser     | 152803050 |                                    |
| 17  | First stage box         | 152802950 |                                    |
| *21 | OR                      | EPDM      | KL02AA4                            |
|     |                         | FPM       | KL02AA5                            |
|     |                         | FEP       | KL02AA6                            |
| 24  | Motor flange            | -         |                                    |
| 25  | Kit oval flange OR EPDM | -         |                                    |
|     |                         | -         |                                    |
| 30  | Impellers retainer      | KL41AA1   | Unbalanced : 10-15-22SV < / = 4 kW |
| 30  | Bush seal kit           | KL41AA1   | Balanced : 10-15-22SV = / > 5,5 kW |

\* Recommended spare parts - Parti di ricambio consigliate

\* Pièces détachées conseillées - Empfohlene Ersatzteile

\*\* Motor spare parts: see motor lists - Parti di ricambio motore: vedi liste motore

\*\* Pièces détachées Moteur : voir listes moteur - Motor-Ersatzteile: gem. Motorlisten

## 22SVF 4 Pole 60Hz

| ELP 4P, 3 -, 60 |              |              |              |              |              |              |              |
|-----------------|--------------|--------------|--------------|--------------|--------------|--------------|--------------|
| F Version       | 22SV02F00546 | 22SV03F00746 | 22SV04F01146 | 22SV05F01546 | 22SV06F01546 | 22SV07F02246 | 22SV08F02246 |
| T ->            | 1016L8051    | 1016L8061    | 1016L8071    | 1016L8081    | 1016L8091    | 1016L8101    | 1016L8111    |
|                 | 22SV09F02246 | 22SV10F03046 |              |              |              |              |              |
| T ->            | 1016L8121    | 1016L8131    |              |              |              |              |              |

### Single Unit and Kit

|    |                  |           |           |           |           |           |           |           |
|----|------------------|-----------|-----------|-----------|-----------|-----------|-----------|-----------|
| 10 | Sleeve F-T       | 166444030 | 166444050 | 166444070 | 166444090 | 166444110 | 166444130 | 166444150 |
|    |                  | 166444170 | 166444190 |           |           |           |           |           |
| 11 | Shaft A304       | 165051030 | 165051050 | 165051070 | 165051090 | 165051110 | 165051130 | 165051150 |
|    |                  | 165051170 | 165051190 |           |           |           |           |           |
| 31 | Tie rods SVF Kit | KL22AB4   | KL22AM5   | KL22AM7   | KL22AM9   | KL22AB9   | KL22AND   | KL22ANF   |
|    |                  | KL22ANH   | KL22ANL   |           |           |           |           |           |

### Motor, Coupling, Motor Adaptor

| Mot.power, kW > | 0,55 | 0,75 | 1,1 | 1,5 | 1,5 | 2,2 | 2,2 |
|-----------------|------|------|-----|-----|-----|-----|-----|
|                 | 2,2  | 3,0  |     |     |     |     |     |

| **1 | kW >            | 0,55      | 1,1       | 1,5       | 2,2       | 3,0       |
|-----|-----------------|-----------|-----------|-----------|-----------|-----------|
|     | Motor 4P ->     | 107230760 | 50005RD00 | 50006RD00 | 50010RD00 | 50011RD00 |
| 2   | Adaptor         | 161470800 | 161470820 | 161470820 | 161470840 | 161470840 |
| 23  | Lifting bracket | -         | -         | -         | -         | -         |
| 26  | Coupling        | KL10ABG   | KL10ABH   | KL10ABH   | KL10ABK   | KL10ABK   |
| 27  | Coupling guard  | KL33AAR   | KL33AAS   | KL33AAS   | KL33AAT   | KL33AAT   |

### Wear Parts Kit

| up to model (- >) | ->22SV06  | ->22SV11  |
|-------------------|-----------|-----------|
|                   | 1 bearing | 2 bearing |
| *34 Wear parts    | KL35AEU   | KL35AEV   |

### Mechanical seal Kit : Mech seal D16 + OR

|      |             |                |         |  |
|------|-------------|----------------|---------|--|
| *20A | Materials-> | <b>Q1BEGG</b>  | KL01AAE | Std -> Seal Q1BEGG - sleeve OR EPDM / Unbalanced : 10-15-22SV < / = 4 kW |
|      |             | <b>Q1Q1EGG</b> | KL01AC8 |  |
|      |             | <b>Q1BVGG</b>  | KL01AAH |  |
|      |             | <b>Q1Q1VGG</b> | KL01ADA |  |
|      |             | <b>Q1CTGG</b>  | KL01ADC |  |
|      |             | <b>Q1Q1TGG</b> | KL01ADE |  |

### Common, Single Unit and Kit

|     |                     |           |             |
|-----|---------------------|-----------|-------------|
| 3   | Base                | 161431350 | -> 15-22SV  |
| 4   | Plugs               | EPDM      | KL34AAT     |
|     |                     | FPM       | KL34AAL     |
|     |                     | FEP       | KL34AAM     |
| 5   | Upper holder        | -         |             |
| *9  | Impeller 22SV A304  | 150703650 |             |
| 13  | Seal housing disc   | 150102940 |             |
| 14  | Pump body           | 151302600 | -> 15-22SVF |
| 15  | Diffuser            | 152803150 |             |
| 16  | Last stage diffuser | 152803050 |             |
| 17  | First stage box     | 152802950 |             |
| *21 | OR                  | EPDM      | KL02AA4     |
|     |                     | FPM       | KL02AA5     |
|     |                     | FEP       | KL02AA6     |
| 24  | Motor flange        | -         |             |
| 30  | Impellers retainer  | KL41AAY   |             |

### Parts 15-22SV with less impellers

-> both SV el.pumps 2 - 4 Pole

|  |                               |           |
|--|-------------------------------|-----------|
|  | Spacer in place of impeller   | 162503872 |
|  | Diffuser box empty            | 162801652 |
|  | Last stage diffuser box empty | 162801752 |

\* Recommended spare parts - Parti di ricambio consigliate

\* Pieces detachees conseillées - Emptionene Ersatzteile

\*\* Motor spare parts: see motor lists - Parti di ricambio motore: vedi liste motore

\*\* Pièces détachées Moteur : voir listes moteur - Motor-Ersatzteile: gem. Motorlisten

**Specific components related to 1SV F-T-R 2 Pole 60Hz**

| ELP 2 P 60Hz     |                  | 1SV02F0036        | 1SV03F0036        | 1SV04F0036        | 1SV05F0056        | 1SV06F0056        | 1SV07F0076        | 1SV08F0076        | 1SV09F0076        | 1SV10F0116        | 1SV11F0116        |
|------------------|------------------|-------------------|-------------------|-------------------|-------------------|-------------------|-------------------|-------------------|-------------------|-------------------|-------------------|
| 22/23<br>22/38   | <b>F Version</b> |                   |                   |                   |                   |                   |                   |                   |                   |                   |                   |
|                  | M ~>             | 1016L6061         | 1016L6071         | 1016L6081         | 1016L6091         | 1016L6101         | 1016L6111         | 1016L6121         | 1016L6131         | 1016L6141         | 1016L6151         |
|                  | T ~>             | 1016L4711         | 1016L4721         | 1016L4731         | 1016L4741         | 1016L4751         | 1016L4761         | 1016L4771         | 1016L4781         | 1016L4791         | 1016L4801         |
|                  |                  | <b>1SV12F0116</b> | <b>1SV13F0116</b> | <b>1SV15F0156</b> | <b>1SV17F0156</b> | <b>1SV18F0226</b> | <b>1SV20F0226</b> | <b>1SV22F0226</b> | <b>1SV24F0226</b> | <b>1SV26F0226</b> | <b>1SV28F0306</b> |
| M ~>             | 1016L6161        | 1016L6171         | 1016L6191         | 1016L6211         | 1016L6221         | 1016L6241         | 1016L6261         | 1016L6281         | 1016L6301         |                   |                   |
| T ~>             | 1016L4811        | 1016L4821         | 1016L4841         | 1016L4861         | 1016L4871         | 1016L4891         | 1016L4911         | 1016L4931         | 1016L4951         | 1016L4971         |                   |
| <b>T Version</b> |                  | <b>1SV02T0036</b> | <b>1SV03T0036</b> | <b>1SV04T0036</b> | <b>1SV05T0056</b> | <b>1SV06T0056</b> | <b>1SV07T0076</b> | <b>1SV08T0076</b> | <b>1SV09T0076</b> | <b>1SV10T0116</b> | <b>1SV11T0116</b> |
|                  | M ~>             | 1016L6060         | 1016L6070         | 1016L6080         | 1016L6090         | 1016L6100         | 1016L6110         | 1016L6120         | 1016L6130         | 1016L6140         | 1016L6150         |
|                  | T ~>             | 1016L4710         | 1016L4720         | 1016L4730         | 1016L4740         | 1016L4750         | 1016L4760         | 1016L4770         | 1016L4780         | 1016L4790         | 1016L4800         |
|                  |                  | <b>1SV12T0116</b> | <b>1SV13T0116</b> | <b>1SV15T0156</b> | <b>1SV17T0156</b> | <b>1SV18T0226</b> |                   |                   |                   |                   |                   |
| M ~>             | 1016L6160        | 1016L6170         | 1016L6190         | 1016L6210         | 1016L6220         |                   |                   |                   |                   |                   |                   |
| T ~>             | 1016L4810        | 1016L4820         | 1016L4840         | 1016L4860         | 1016L4870         |                   |                   |                   |                   |                   |                   |
| <b>R Version</b> |                  |                   |                   |                   |                   |                   | <b>1SV07R0076</b> | <b>1SV08R0076</b> | <b>1SV09R0076</b> | <b>1SV10R0116</b> | <b>1SV11R0116</b> |
|                  | M ~>             |                   |                   |                   |                   |                   | 1016L6113         | 1016L6123         | 1016L6133         | 1016L6143         | 1016L6153         |
|                  | T ~>             |                   |                   |                   |                   |                   | 1016L4763         | 1016L4773         | 1016L4783         | 1016L4793         | 1016L4803         |
|                  |                  | <b>1SV12R0116</b> | <b>1SV13R0116</b> | <b>1SV15R0156</b> | <b>1SV17R0156</b> | <b>1SV18R0226</b> | <b>1SV20R0226</b> | <b>1SV22R0226</b> | <b>1SV24R0226</b> | <b>1SV26R0226</b> | <b>1SV28R0306</b> |
| M ~>             | 1016L6163        | 1016L6173         | 1016L6193         | 1016L6213         | 1016L6223         | 1016L6243         | 1016L6263         | 1016L6283         | 1016L6303         |                   |                   |
| T ~>             | 1016L4813        | 1016L4823         | 1016L4843         | 1016L4863         | 1016L4873         | 1016L4893         | 1016L4913         | 1016L4933         | 1016L4953         | 1016L4973         |                   |

**Single Unit and Kit**

|    |            |           |           |           |           |           |           |           |           |           |           |
|----|------------|-----------|-----------|-----------|-----------|-----------|-----------|-----------|-----------|-----------|-----------|
| 10 | Sleeve F-T | 166443040 | 166443040 | 166443060 | 166443070 | 166443080 | 166443100 | 166443120 | 166443140 | 166443150 | 166443160 |
|    |            | 166443180 | 166443200 | 166443230 | 166443260 | 166443280 | 166443310 | 166443340 | 166443380 | 166443400 | 166443440 |
|    | Sleeve R   |           |           |           |           |           | 156500060 | 156500070 | 156500080 | 156500090 | 156500100 |
|    |            | 156500110 | 156500120 | 156500140 | 156500160 | 156500170 | 156500190 | 156500210 | 156500230 | 156500250 | 156500270 |

**Common, Single Unit and kit**

|    |                         |           |                      |  |
|----|-------------------------|-----------|----------------------|--|
| 3  | Base                    | 161431310 | -> 1-3-5SVF-R        |  |
|    |                         | 161431300 | -> 1-3-5SVT          |  |
| 14 | Pump body               | 151302340 | -> 1-3-5SV T / DN 25 |  |
|    |                         | 151302320 | -> 1-3SVF            |  |
|    |                         | 151302330 | -> 1-3SVR            |  |
| 25 | Kit oval flange OR EPDM | KL20AAF   | ->1-3SV T            |  |
|    | Kit oval flange OR FPM  | KL20AAL   |                      |  |

**Service kit**

|   |                     |           |           |           |           |           |           |           |           |           |           |
|---|---------------------|-----------|-----------|-----------|-----------|-----------|-----------|-----------|-----------|-----------|-----------|
| - | Pump stack 1SV EPDM | 102882011 | 102882021 | 102882031 | 102882041 | 102882051 | 102882061 | 102882071 | 102882081 | 102882091 | 102882101 |
|   |                     | 102882111 | 102882121 | 102882141 | 102882161 | TbD       | TbD       | 102882211 | TbD       | TbD       | TbD       |

**1SV F 4 Pole 60Hz**

| ELP 4 P, 3 ~, 60 |           | 1SV03F00246        | 1SV05F00246        | 1SV07F00246        | 1SV09F00246        | 1SV11F00246 | 1SV13F00246 | 1SV15F00246 | 1SV17F00246 | 1SV18F00246 | 1SV20F00246 |
|------------------|-----------|--------------------|--------------------|--------------------|--------------------|-------------|-------------|-------------|-------------|-------------|-------------|
| <b>F Version</b> | T ~>      | 1016L6851          | 1016L6871          | 1016L6891          | 1016L6911          | 1016L6931   | 1016L6951   | 1016L6971   | 1016L6991   | 1016L7001   | 1016L7021   |
|                  |           | <b>1SV22F00246</b> | <b>1SV24F00246</b> | <b>1SV26F00346</b> | <b>1SV28F00346</b> |             |             |             |             |             |             |
| T ~>             | 1016L7041 | 1016L7061          | 1016L7081          | 1016L7101          |                    |             |             |             |             |             |             |

**Service kit**

|   |                     |           |           |           |           |           |           |           |           |     |     |
|---|---------------------|-----------|-----------|-----------|-----------|-----------|-----------|-----------|-----------|-----|-----|
| - | Pump stack 1SV EPDM | 102882021 | 102882041 | 102882061 | 102882081 | 102882101 | 102882121 | 102882141 | 102882161 | TbD | TbD |
|   |                     | 102882211 | TbD       | TbD       | TbD       |           |           |           |           |     |     |

For common components pls see spare part lists 1-22SV F 2 pole

TbD: Part Number To be Defined

\* Recommended spare parts - Parti di ricambio consigliate

\* Pièces détachées conseillées - Empfohlene Ersatzteile

\*\* Motor spare parts: see motor lists - Parti di ricambio motore: vedi liste motore

\*\* Pièces détachées Moteur : voir listes moteur - Motor-Ersatzteile: gem. Motorlisten

## Specific components related to 3SV F-T-R 2 Pole 60Hz

Production date >Sept 2010

| ELP 2 P 60Hz     |      |            |            |            |            |            |            |            |            |            |            |
|------------------|------|------------|------------|------------|------------|------------|------------|------------|------------|------------|------------|
| <b>F Version</b> | M ~> | 3SV02F0036 | 3SV03F0056 | 3SV04F0076 | 3SV05F0116 | 3SV06F0116 | 3SV07F0116 | 3SV08F0156 | 3SV09F0156 | 3SV10F0226 | 3SV11F0226 |
|                  |      | 1016L6361  | 1016L6371  | 1016L6381  | 1016L6391  | 1016L6401  | 1016L6411  | 1016L6421  | 1016L6431  | 1016L6441  | 1016L6451  |
|                  | T ~> | 1016L5031  | 1016L5041  | 1016L5051  | 1016L5061  | 1016L5071  | 1016L5081  | 1016L5091  | 1016L5101  | 1016L5111  | 1016L5121  |
|                  |      | 3SV12F0226 | 3SV13F0226 | 3SV14F0226 | 3SV15F0306 | 3SV17F0306 | 3SV19F0306 | 3SV21F0406 | 3SV23F0406 |            |            |
|                  | M ~> | 1016L6461  | 1016L6471  | 1016L6481  |            |            |            |            |            |            |            |
|                  | T ~> | 1016L5131  | 1016L5141  | 1016L5151  | 1016L5161  | 1016L5181  | 1016L5201  | 1016L5221  | 1016L5241  |            |            |
| <b>T Version</b> | M ~> | 3SV02T0036 | 3SV03T0056 | 3SV04T0076 | 3SV05T0116 | 3SV06T0116 | 3SV07T0116 | 3SV08T0156 | 3SV09T0156 | 3SV10T0226 | 3SV11T0226 |
|                  |      | 1016L6360  | 1016L6370  | 1016L6380  | 1016L6390  | 1016L6400  | 1016L6410  | 1016L6420  | 1016L6430  | 1016L6440  | 1016L6450  |
|                  | T ~> | 1016L5030  | 1016L5040  | 1016L5050  | 1016L5060  | 1016L5070  | 1016L5080  | 1016L5090  | 1016L5100  | 1016L5110  | 1016L5120  |
|                  |      | 3SV12T0226 | 3SV13T0226 | 3SV14T0226 |            |            |            |            |            |            |            |
|                  | M ~> | 1016L6460  | 1016L6470  | 1016L6480  |            |            |            |            |            |            |            |
|                  | T ~> | 1016L5130  | 1016L5140  | 1016L5150  |            |            |            |            |            |            |            |
| <b>R Version</b> | M ~> |            |            |            |            |            | 3SV07R0116 | 3SV08R0156 | 3SV09R0156 | 3SV10R0226 | 3SV11R0226 |
|                  |      |            |            |            |            |            | 1016L6413  | 1016L6423  | 1016L6433  | 1016L6443  | 1016L6453  |
|                  | T ~> |            |            |            |            |            | 1016L5083  | 1016L5093  | 1016L5103  | 1016L5113  | 1016L5123  |
|                  |      | 3SV12R0226 | 3SV13R0226 | 3SV14R0226 | 3SV15R0306 | 3SV17R0306 | 3SV19R0306 | 3SV21R0406 | 3SV23R0406 |            |            |
|                  | M ~> | 1016L6463  | 1016L6473  | 1016L6483  |            |            |            |            |            |            |            |
|                  | T ~> | 1016L5133  | 1016L5143  | 1016L5153  | 1016L5163  | 1016L5183  | 1016L5203  | 1016L5223  | 1016L5243  |            |            |

### Single Unit and Kit

|    |            |           |           |           |           |           |           |           |           |           |           |
|----|------------|-----------|-----------|-----------|-----------|-----------|-----------|-----------|-----------|-----------|-----------|
| 10 | Sleeve F-T | 166443040 | 166443040 | 166443060 | 166443070 | 166443080 | 166443100 | 166443120 | 166443140 | 166443150 | 166443160 |
|    |            | 166443180 | 166443200 | 166443220 | 166443230 | 166443260 | 166443300 | 166443320 | 166443360 |           |           |
|    | Sleeve R   |           |           |           |           |           | 156500060 | 156500070 | 156500080 | 156500090 | 156500100 |
|    |            | 156500110 | 156500120 | 156500130 | 156500140 | 156500160 | 156500180 | 156500200 | 156500220 |           |           |

### Common, Single Unit and kit

|    |                         |           |               |  |  |  |  |  |  |  |  |
|----|-------------------------|-----------|---------------|--|--|--|--|--|--|--|--|
| 3  | Base                    | 161431310 | -> 1-3-5SVF-R |  |  |  |  |  |  |  |  |
|    |                         | 161431300 | -> 1-3-5SVT   |  |  |  |  |  |  |  |  |
| 14 | Pump body               | 151302340 | -> 1-3-5SV T  |  |  |  |  |  |  |  |  |
|    |                         | 151302320 | -> 1-3SVF     |  |  |  |  |  |  |  |  |
|    |                         | 151302330 | -> 1-3SVR     |  |  |  |  |  |  |  |  |
| 25 | Kit oval flange OR EPDM | KL20AAF   | ->1-3SV T     |  |  |  |  |  |  |  |  |
|    | Kit oval flange OR FPM  | KL20AAL   |               |  |  |  |  |  |  |  |  |

### Service kit

|   |                     |           |           |           |           |           |           |           |           |           |           |
|---|---------------------|-----------|-----------|-----------|-----------|-----------|-----------|-----------|-----------|-----------|-----------|
| - | Pump stack 3SV EPDM | 102882411 | 102882421 | 102882431 | 102882441 | 102882451 | 102882461 | 102882471 | 102882481 | 102882491 | 102882501 |
|   |                     | 102882511 | 102882521 | 102882531 | TbD       | TbD       | 102882581 | 102882601 | 102882621 |           |           |

## 3SV F 4 Pole 60Hz

| ELP 4 P, 3 ~, 60 |      |             |             |             |             |             |             |             |             |             |
|------------------|------|-------------|-------------|-------------|-------------|-------------|-------------|-------------|-------------|-------------|
| <b>F Version</b> | T ~> | 3SV02F00246 | 3SV04F00246 | 3SV06F00246 | 3SV08F00246 | 3SV10F00246 | 3SV12F00246 | 3SV14F00346 | 3SV15F00346 | 3SV17F00346 |
|                  |      | 1016L7161   | 1016L7181   | 1016L7201   | 1016L7221   | 1016L7241   | 1016L7261   | 1016L7281   | 1016L7291   | 1016L7311   |
|                  |      | 3SV19F00346 | 3SV21F00546 | 3SV23F00546 |             |             |             |             |             |             |
|                  |      | 1016L7331   | 1016L7351   | 1016L7371   |             |             |             |             |             |             |

### Service kit

|   |                     |           |           |           |           |           |           |           |     |     |
|---|---------------------|-----------|-----------|-----------|-----------|-----------|-----------|-----------|-----|-----|
| - | Pump stack 3SV EPDM | 102882411 | 102882431 | 102882451 | 102882471 | 102882491 | 102882511 | 102882531 | TbD | TbD |
|   |                     | 102882581 | 102882601 | 102882621 |           |           |           |           |     |     |

For common components pls see spare part lists 1-22SV F 2 pole

TbD: Part Number To be Defined

\* Recommended spare parts - Parti di ricambio consigliate

\* Pièces détachées conseillées - Empfohlene Ersatzteile

\*\* Motor spare parts: see motor lists - Parti di ricambio motore: vedi liste motore

\*\* Pièces détachées Moteur : voir listes moteur - Motor-Ersatzteile: gem. Motorlisten

1-22SVF\_6\_Sept10\_EdG



**Specific components related to 5SV F-T-R 2 Pole 60Hz**

| ELP 2 P 60       |            |            |            |            |            |            |            |            |            |            |
|------------------|------------|------------|------------|------------|------------|------------|------------|------------|------------|------------|
| <b>F Version</b> |            |            |            |            |            |            |            |            |            |            |
| M ~>             | 5SV02F0056 | 5SV03F0076 | 5SV04F0116 | 5SV05F0156 | 5SV06F0156 | 5SV07F0226 | 5SV08F0226 | 5SV09F0226 | 5SV10F0306 | 5SV11F0306 |
| T ~>             | 1016L6541  | 1016L6551  | 1016L6561  | 1016L6571  | 1016L6581  | 1016L6591  | 1016L6601  | 1016L6611  |            |            |
|                  | 1016L5301  | 1016L5311  | 1016L5321  | 1016L5331  | 1016L5341  | 1016L5351  | 1016L5361  | 1016L5371  | 1016L5381  | 1016L5391  |
|                  | 5SV12F0306 | 5SV13F0406 | 5SV14F0406 | 5SV15F0406 | 5SV16F0406 | 5SV17F0556 | 5SV19F0556 | 5SV21F0556 | 5SV23F0556 |            |
| M ~>             |            |            |            |            |            |            |            |            |            |            |
| T ~>             | 1016L5401  | 1016L5411  | 1016L5421  | 1016L5431  | 1016L5441  | 1016L5451  | 1016L5471  | 1016L5491  | 1016L5511  |            |
| <b>T Version</b> |            |            |            |            |            |            |            |            |            |            |
| M ~>             | 5SV02T0056 | 5SV03T0076 | 5SV04T0116 | 5SV05T0156 | 5SV06T0156 | 5SV07T0226 | 5SV08T0226 | 5SV09T0226 | 5SV10T0306 | 5SV11T0306 |
| T ~>             | 1016L6540  | 1016L6550  | 1016L6560  | 1016L6570  | 1016L6580  | 1016L6590  | 1016L6600  | 1016L6610  |            |            |
|                  | 1016L5300  | 1016L5310  | 1016L5320  | 1016L5330  | 1016L5340  | 1016L5350  | 1016L5360  | 1016L5370  | 1016L5380  | 1016L5390  |
|                  | 5SV12T0306 | 5SV13T0406 | 5SV14T0406 |            |            |            |            |            |            |            |
| M ~>             |            |            |            |            |            |            |            |            |            |            |
| T ~>             | 1016L5400  | 1016L5410  | 1016L5420  |            |            |            |            |            |            |            |
| <b>R Version</b> |            |            |            |            |            |            |            |            |            |            |
| M ~>             |            |            |            |            |            | 5SV07R0226 | 5SV08R0226 | 5SV09R0226 | 5SV10R0306 | 5SV11R0306 |
| T ~>             |            |            |            |            |            | 1016L6593  | 1016L6603  | 1016L6613  |            |            |
|                  |            |            |            |            |            | 1016L5353  | 1016L5363  | 1016L5373  | 1016L5383  | 1016L5393  |
|                  | 5SV12R0306 | 5SV13R0406 | 5SV14R0406 | 5SV15R0406 | 5SV16R0406 | 5SV17R0556 | 5SV19R0556 | 5SV21R0556 | 5SV23R0556 |            |
| M ~>             |            |            |            |            |            |            |            |            |            |            |
| T ~>             | 1016L5403  | 1016L5413  | 1016L5423  | 1016L5433  | 1016L5443  | 1016L5453  | 1016L5473  | 1016L5493  | 1016L5513  |            |

**Single Unit and Kit**

|    |            |           |           |           |           |           |           |           |           |           |           |
|----|------------|-----------|-----------|-----------|-----------|-----------|-----------|-----------|-----------|-----------|-----------|
| 10 | Sleeve F-T | 166443030 | 166443050 | 166443070 | 166443090 | 166443110 | 166443130 | 166443150 | 166443170 | 166443190 | 166443210 |
|    |            | 166443230 | 166443250 | 166443270 | 166443290 | 166443310 | 166443330 | 166443370 | 166443410 | 166443450 |           |
|    | Sleeve R   |           |           |           |           |           | 156500630 | 156500650 | 156500670 | 156500690 | 156500710 |
|    |            | 156500730 | 156500750 | 156500770 | 156500790 | 156500810 | 156500830 | 156500870 | 156500910 | 156500950 |           |

**Common, Single Unit and kit**

|    |                         |           |               |
|----|-------------------------|-----------|---------------|
| 3  | Base                    | 161431310 | -> 1-3-5SVF-R |
|    |                         | 161431300 | -> 1-3-5SVT   |
| 14 | Pump body               | 151302340 | -> 1-3-5SV T  |
|    |                         | 151302400 | -> 5SVF       |
|    |                         | 151302410 | -> 5SVR       |
| 25 | Kit oval flange OR EPDM | KL20AAG   |               |
|    | Kit oval flange OR FPM  | KL20AAM   | ->5SV T       |

**Service kit**

|   |                     |           |           |           |           |           |           |           |           |           |           |
|---|---------------------|-----------|-----------|-----------|-----------|-----------|-----------|-----------|-----------|-----------|-----------|
| - | Pump stack 5SV EPDM | 102882781 | 102882791 | 102882801 | 102882811 | 102882821 | 102882831 | 102882841 | 102882851 | 102882861 | 102882871 |
|   |                     | 102882881 | 102882891 | 102882901 | 102882911 | 102882921 | TbD       | TbD       | 102882971 | 102882991 |           |

**5SV F 4 Pole 60Hz**

| ELP 2 P 60       |             |             |             |             |             |             |             |             |             |             |
|------------------|-------------|-------------|-------------|-------------|-------------|-------------|-------------|-------------|-------------|-------------|
| <b>F Version</b> |             |             |             |             |             |             |             |             |             |             |
| T ~>             | 5SV03F00246 | 5SV05F00246 | 5SV07F00246 | 5SV09F00346 | 5SV11F00346 | 5SV13F00546 | 5SV15F00546 | 5SV17F00546 | 5SV19F00746 | 5SV21F00746 |
|                  | 1016L7441   | 1016L7461   | 1016L7481   | 1016L7501   | 1016L7521   | 1016L7541   | 1016L7561   | 1016L7581   | 1016L7601   | 1016L7621   |
|                  | 5SV23F00746 |             |             |             |             |             |             |             |             |             |
| T ~>             | 1016L7641   |             |             |             |             |             |             |             |             |             |

**Service kit**

|   |                     |           |           |           |           |           |           |           |     |     |           |
|---|---------------------|-----------|-----------|-----------|-----------|-----------|-----------|-----------|-----|-----|-----------|
| - | Pump stack 5SV EPDM | 102882791 | 102882811 | 102882831 | 102882851 | 102882871 | 102882891 | 102882911 | TbD | TbD | 102882971 |
|   |                     | 102882991 |           |           |           |           |           |           |     |     |           |

For common components pls see spare part lists 1-22SV F 2 pole

TbD: Part Number To be Defined

\* Recommended spare parts - Parti di ricambio consigliate

\* Pièces détachées conseillées - Empfohlene Ersatzteile

\*\* Motor spare parts: see motor lists - Parti di ricambio motore: vedi liste motore

\*\* Pièces détachées Moteur : voir listes moteur - Motor-Ersatzteile: gem. Motorlisten

**Specific components related to 10SVF-T-R 2 Pole 60Hz**

| ELP 2P 60 |               |             |             |             |             |             |             |             |             |             |
|-----------|---------------|-------------|-------------|-------------|-------------|-------------|-------------|-------------|-------------|-------------|
| F Version | 10SV01F0076   | 10SV02F0156 | 10SV03F0226 | 10SV04F0306 | 10SV05F0406 | 10SV06F0406 | 10SV07F0556 | 10SV08F0556 | 10SV09F0756 | 10SV10F0756 |
|           | M-> 1016L6661 | 1016L6671   | 1016L6681   |             |             |             |             |             |             |             |
|           | T-> 1016L5561 | 1016L5571   | 1016L5581   | 1016L5591   | 1016L5601   | 1016L5611   | 1016L5621   | 1016L5631   | 1016L5641   | 1016L5651   |
|           | 10SV11F0756   | 10SV13F1106 | 10SV15F1106 |             |             |             |             |             |             |             |
|           | M->           |             |             |             |             |             |             |             |             |             |
| T->       | 1016L5661     | 1016L5681   | 1016L5701   |             |             |             |             |             |             |             |
| T Version | 10SV01T0076   | 10SV02T0156 | 10SV03T0226 | 10SV04T0306 | 10SV05T0406 | 10SV06T0406 | 10SV07T0556 | 10SV08T0556 | 10SV09T0756 |             |
|           | M-> 1016L6660 | 1016L6670   | 1016L6680   |             |             |             |             |             |             |             |
|           | T-> 1016L5560 | 1016L5570   | 1016L5580   | 1016L5590   | 1016L5600   | 1016L5610   | 1016L5620   | 1016L5630   | 1016L5640   |             |
| R Version |               |             |             |             | 10SV05R0406 | 10SV06R0406 | 10SV07R0556 | 10SV08R0556 | 10SV09R0756 | 10SV10R0756 |
|           | M->           |             |             |             |             |             |             |             |             |             |
|           | T->           |             |             |             | 1016L5603   | 1016L5613   | 1016L5623   | 1016L5633   | 1016L5643   | 1016L5653   |
|           | 10SV11R0756   | 10SV13R1106 | 10SV15R1106 |             |             |             |             |             |             |             |
|           | M->           |             |             |             |             |             |             |             |             |             |
| T->       | 1016L5663     | 1016L5683   | 1016L5703   |             |             |             |             |             |             |             |

**Single Unit and Kit**

|    |            |           |           |           |           |           |           |           |           |           |           |
|----|------------|-----------|-----------|-----------|-----------|-----------|-----------|-----------|-----------|-----------|-----------|
| 10 | Sleeve F-T | 166444020 | 166444020 | 166444030 | 166444040 | 166444060 | 166444070 | 166444080 | 166444100 | 166444110 | 166444120 |
|    |            | 166444140 | 166444160 | 166444190 |           |           |           |           |           |           |           |
|    | Sleeve R   |           |           |           |           | 156501390 | 156501400 | 156501410 | 156501420 | 156501430 | 156501440 |
|    |            | 156501450 | 156501470 | 156501490 |           |           |           |           |           |           |           |

**Common, Single Unit and kit**

|    |                         |           |          |
|----|-------------------------|-----------|----------|
| 14 | Pump body               | 151302470 | -> 10SVT |
|    |                         | 151302450 | -> 10SVF |
|    |                         | 151302460 | -> 10SVR |
| 25 | Kit oval flange OR EPDM | KL20AAH   |          |
|    | Kit oval flange OR FPM  | KL20AAN   | ->10SV T |

**Service kit**

|   |                     |           |           |           |           |           |           |           |           |           |           |
|---|---------------------|-----------|-----------|-----------|-----------|-----------|-----------|-----------|-----------|-----------|-----------|
| - | Pump stack 10S EPDM | 102883141 | 102883151 | 102883161 | 102883171 | 102883181 | 102883191 | 102883201 | 102883221 | 102883241 | 102883261 |
|   |                     | 102883281 | 102883331 | 102883371 |           |           |           |           |           |           |           |

**10SVF 4 Pole 60Hz**

| ELP 4P, 3 ~, 60 |               |             |             |             |             |             |             |             |             |             |
|-----------------|---------------|-------------|-------------|-------------|-------------|-------------|-------------|-------------|-------------|-------------|
| Version F       | 10SV03F0054   | 10SV05F0054 | 10SV07F0074 | 10SV09F0074 | 10SV11F0114 | 10SV13F0114 | 10SV15F0154 | 5SV17F00546 | 5SV19F00746 | 5SV21F00746 |
|                 | T-> 1016L7711 | 1016L7731   | 1016L7751   | 1016L7771   | 1016L7791   | 1016L7811   | 1016L7831   | 1016L7581   | 1016L7601   | 1016L7621   |

**Service kit**

|   |                     |           |           |           |           |           |     |     |     |     |     |
|---|---------------------|-----------|-----------|-----------|-----------|-----------|-----|-----|-----|-----|-----|
| - | Pump stack 10S EPDM | 102883161 | 102883181 | 102883201 | 102883241 | 102883281 | TbD | TbD | TbD | TbD | TbD |
|   |                     |           |           |           |           |           |     |     |     |     |     |

**For common components pls see spare part lists 1-22SV F 2 pole**

TbD: Part Number To be Defined

\* Recommended spare parts - Parti di ricambio consigliate

\* Pieces detachées conseillées - Empfohlene Ersatzteile

\*\* Motor spare parts: see motor lists - Parti di ricambio motore: vedi liste motore

\*\* Pièces détachées Moteur : voir listes moteur - Motor-Ersatzteile: gem. Motorlisten

**Specific components related to 15SVF-T-R 2 Pole 60Hz**

| ELP 2P 60     |               |             |             |             |             |             |             |             |             |             |
|---------------|---------------|-------------|-------------|-------------|-------------|-------------|-------------|-------------|-------------|-------------|
| F Version     | 15SV01F0156   | 15SV02F0306 | 15SV03F0406 | 15SV04F0556 | 15SV05F0756 | 15SV06F1106 | 15SV07F1106 | 15SV08F1506 | 15SV09F1506 | 15SV10F1506 |
|               | M-> 1016L6731 |             |             |             |             |             |             |             |             |             |
|               | T-> 1016L5751 | 1016L5761   | 1016L5771   | 1016L5781   | 1016L5791   | 1016L5801   | 1016L5811   | 1016L5821   | 1016L5831   | 1016L5841   |
|               | 15SV11F1856   | 15SV12F1856 |             |             |             |             |             |             |             |             |
|               | M-> 1016L5851 | 1016L5861   |             |             |             |             |             |             |             |             |
| T-> 1016L5851 | 1016L5861     |             |             |             |             |             |             |             |             |             |
| T Version     | 15SV01T0156   | 15SV02T0306 | 15SV03T0406 | 15SV04T0556 | 15SV05T0756 |             |             |             |             |             |
|               | M-> 1016L6730 |             |             |             |             |             |             |             |             |             |
|               | T-> 1016L5750 | 1016L5760   | 1016L5770   | 1016L5780   | 1016L5790   |             |             |             |             |             |
| R Version     |               |             |             | 15SV04R0556 | 15SV05R0756 | 15SV06R1106 | 15SV07R1106 | 15SV08R1506 | 15SV09R1506 | 15SV10R1506 |
|               | M->           |             |             |             |             |             |             |             |             |             |
|               | T->           |             |             | 1016L5783   | 1016L5793   | 1016L5803   | 1016L5813   | 1016L5823   | 1016L5833   | 1016L5843   |
|               | 15SV11R1856   | 15SV12R1856 |             |             |             |             |             |             |             |             |
|               | M->           |             |             |             |             |             |             |             |             |             |
| T->           | 1016L5853     | 1016L5863   |             |             |             |             |             |             |             |             |

**Single Unit and Kit**

|    |              |           |           |           |           |           |           |           |           |           |           |
|----|--------------|-----------|-----------|-----------|-----------|-----------|-----------|-----------|-----------|-----------|-----------|
| 10 | Sleeve F - T | 166444030 | 166444030 | 166444050 | 166444070 | 166444090 | 166444110 | 166444130 | 166444150 | 166444170 | 166444190 |
|    |              | 166444210 | 166444230 |           |           |           |           |           |           |           |           |
|    | Sleeve R     |           |           |           | 156501730 | 156501740 | 156501750 | 156501760 | 156501770 | 156501780 | 156501790 |
|    |              | 156501800 | 156501810 |           |           |           |           |           |           |           |           |

**Common, Single Unit and kit**

|    |                         |           |             |  |  |  |  |  |  |  |  |
|----|-------------------------|-----------|-------------|--|--|--|--|--|--|--|--|
| 14 | Pump body               | 151302470 | -> 15-22SVT |  |  |  |  |  |  |  |  |
|    |                         | 151302600 | -> 15-22SVF |  |  |  |  |  |  |  |  |
|    |                         | 151302610 | -> 15-22SVR |  |  |  |  |  |  |  |  |
| 25 | Kit oval flange OR EPDM | KL20AAK   |             |  |  |  |  |  |  |  |  |
|    | Kit oval flange OR FPM  | KL20AAP   | ->15-22SV T |  |  |  |  |  |  |  |  |

**Service kit**

|   |                     |           |           |           |     |     |           |           |           |           |           |
|---|---------------------|-----------|-----------|-----------|-----|-----|-----------|-----------|-----------|-----------|-----------|
| - | Pump stack 15S EPDM | 102883581 | 102883591 | 102883601 | TbD | TbD | 102883661 | 102883681 | 102883701 | 102883721 | 102883741 |
|   |                     | 102883761 |           |           |     |     |           |           |           |           |           |

**15SVF 4 Pole 60Hz**

| ELP 4P, 3 ~, 60 |               |             |             |             |             |             |             |              |  |  |
|-----------------|---------------|-------------|-------------|-------------|-------------|-------------|-------------|--------------|--|--|
| F Version       | 15SV03F0054   | 15SV04F0074 | 15SV05F0114 | 15SV06F0114 | 15SV07F0154 | 15SV09F0224 | 15SV11F0224 | 15SV12F02246 |  |  |
|                 | T-> 1016L7901 | 1016L7911   | 1016L7921   | 1016L7931   | 1016L7941   | 1016L7961   | 1016L7981   | 1016L7991    |  |  |

**Service kit**

|   |                     |           |           |           |     |           |     |     |     |
|---|---------------------|-----------|-----------|-----------|-----|-----------|-----|-----|-----|
| - | Pump stack 15S EPDM | 102883601 | 102883611 | 102883631 | TbD | 102883691 | TbD | TbD | TbD |
|   |                     |           |           |           |     |           |     |     |     |

**For common components pls see spare part lists 1-22SV F 2 pole**

TbD: Part Number To be Defined

\* Recommended spare parts - Parti di ricambio consigliate

\* Pièces détachées conseillées - Empfohlene Ersatzteile

\*\* Motor spare parts: see motor lists - Parti di ricambio motore: vedi liste motore

\*\* Pièces détachées Moteur : voir listes moteur - Motor-Ersatzteile: gem. Motorlisten

**Specific components related to**

**22SVF-T-R 2 Pole 60Hz**

| ELP 2P 60 |               |             |             |             |             |             |             |             |             |             |
|-----------|---------------|-------------|-------------|-------------|-------------|-------------|-------------|-------------|-------------|-------------|
| F Version | 22SV01F0226   | 22SV02F0406 | 22SV03F0556 | 22SV04F0756 | 22SV05F1106 | 22SV06F1106 | 22SV07F1506 | 22SV08F1506 | 22SV09F1856 | 22SV10F1856 |
|           | M-> 1016L6781 |             |             |             |             |             |             |             |             |             |
|           | T-> 1016L5911 | 1016L5921   | 1016L5931   | 1016L5941   | 1016L5951   | 1016L5961   | 1016L5971   | 1016L5981   | 1016L5991   | 1016L6001   |
| T Version | 22SV01T0226   | 22SV02T0406 | 22SV03T0556 | 22SV04T0756 |             |             |             |             |             |             |
|           | M-> 1016L6780 |             |             |             |             |             |             |             |             |             |
|           | T-> 1016L5910 | 1016L5920   | 1016L5930   | 1016L5940   |             |             |             |             |             |             |
| R Version |               |             |             | 22SV04R0756 | 22SV05R1106 | 22SV06R1106 | 22SV07R1506 | 22SV08R1506 | 22SV09R1856 | 22SV10R1856 |
|           | M->           |             |             |             |             |             |             |             |             |             |
|           | T->           |             |             | 1016L5943   | 1016L5953   | 1016L5963   | 1016L5973   | 1016L5983   | 1016L5993   | 1016L6003   |

**Single Unit and Kit**

|    |            |           |           |           |           |           |           |           |           |           |           |
|----|------------|-----------|-----------|-----------|-----------|-----------|-----------|-----------|-----------|-----------|-----------|
| 10 | Sleeve F-T | 166444030 | 166444030 | 166444050 | 166444070 | 166444090 | 166444110 | 166444130 | 166444150 | 166444170 | 166444190 |
|    | Sleeve R   |           |           |           | 156501730 | 156501740 | 156501750 | 156501760 | 156501770 | 156501780 | 156501790 |

**Common, Single Unit and Kit**

|    |                         |           |             |
|----|-------------------------|-----------|-------------|
| 14 | Pump body               | 151302470 | -> 15-22SVT |
|    |                         | 151302600 | -> 15-22SVF |
|    |                         | 151302610 | -> 15-22SVR |
| 25 | Kit oval flange OR EPDM | KL20AAK   |             |
|    | Kit oval flange OR FPM  | KL20AAP   | -> 15-22SVT |

**Service kit**

|   |                     |           |           |     |     |           |           |           |           |           |           |
|---|---------------------|-----------|-----------|-----|-----|-----------|-----------|-----------|-----------|-----------|-----------|
| - | Pump stack 22S EPDM | 102883971 | 102883981 | TbD | TbD | 102884041 | 102884061 | 102884081 | 102884101 | 102884121 | 102884141 |
|---|---------------------|-----------|-----------|-----|-----|-----------|-----------|-----------|-----------|-----------|-----------|

**22SVP 4 Pole 60Hz**

| ELP 4P, 3 ~, 60 |               |             |             |             |             |             |             |             |              |  |
|-----------------|---------------|-------------|-------------|-------------|-------------|-------------|-------------|-------------|--------------|--|
| F Version       | 22SV02F0054   | 22SV03F0074 | 22SV04F0114 | 22SV05F0154 | 22SV06F0154 | 22SV07F0224 | 22SV08F0224 | 22SV09F0224 | 22SV10F03046 |  |
|                 | T-> 1016L8051 | 1016L8061   | 1016L8071   | 1016L8081   | 1016L8091   | 1016L8101   | 1016L8111   | 1016L8121   | 1016L8131    |  |

**Service kit**

|   |                     |           |           |           |     |     |           |           |     |           |
|---|---------------------|-----------|-----------|-----------|-----|-----|-----------|-----------|-----|-----------|
| - | Pump stack 22S EPDM | 102883981 | 102883991 | 102884011 | TbD | TbD | 102884071 | 102884091 | TbD | 102884131 |
|---|---------------------|-----------|-----------|-----------|-----|-----|-----------|-----------|-----|-----------|

**For common components pls see spare part lists 1-22SV F 2 pole**

TbD: Part Number To be Defined

\* Recommended spare parts - Parti di ricambio consigliate

\* Pièces détachées conseillées - Empfohlene Ersatzteile

\*\* Motor spare parts: see motor lists - Parti di ricambio motore: vedi liste motore

\*\* Pièces détachées Moteur : voir listes moteur - Motor-Ersatzteile: gem. Motorlisten