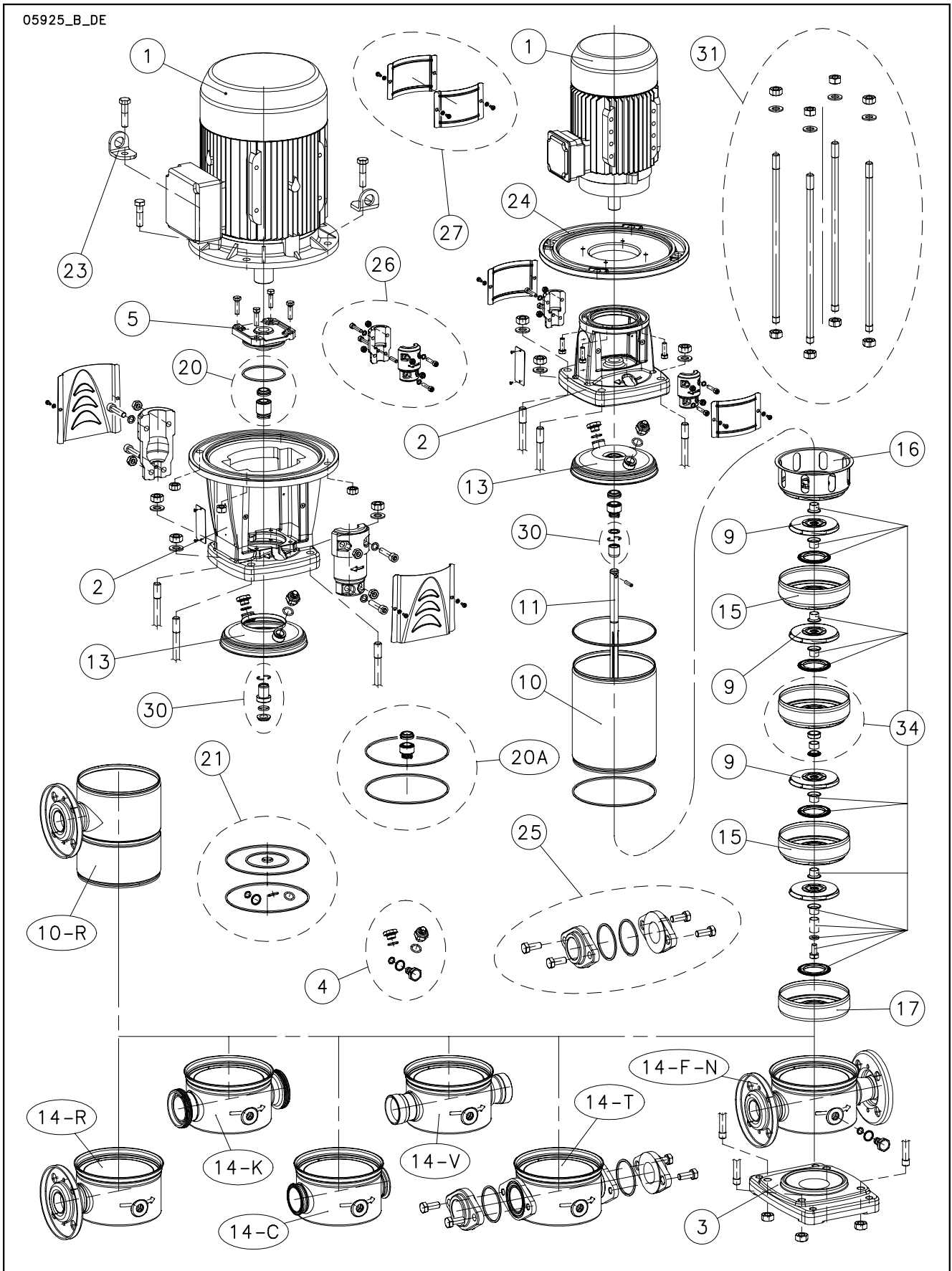


1, 3, 5, 10, 15, 22SV



Lowara and Vogel Pumpen are a trademark of Xylem Inc. or one of its subsidiaries. Goulds is a registered trademark of Goulds Pumps, Inc. and is used under license.

N.	Descrizione It	Description en	Description fr	Beschreibung de	Descripción es	Descrição pt
1	Motore	Motor	Moteur	Motor	Motor	Motor
2	Lanterna	Adaptor	Lanterne	Motorlanterne	Adaptador	Adaptador
3	Base	Basement	Base	Untersatz	Base	Base
4	Tappi	Plugs	Bouchons	Stopfen	Tapones	Tampões
5	Portatenuta superiore	Upper holder	Disque supérieure	Oberer dichtungsdeckel	Disco superior	Disco superior
9	Girante	Impeller	Roue	Laufrad	Rodete	Impulsor
10	Camicia	Sleeve	Chemise	Gehäuse	Camisa	Camisa
11	Albero	Shaft	Arbre	Welle	Árbol	Veio
13	Disco porta tenuta	Seal housing disc	Disque de garniture	Dichtungsdeckel	Disco de alojamiento sello	Disco porta-vedante
14	Corpo pompa	Pump body	Corps de pompe	Pumpengehäuse	Caja bomba	Corpo da bomba
15	Diffusore	Diffuser	Diffuseur	Diffusor	Difusor	Difusor
16	Diffusore finale	Last stage diffuser	Diffuseur dernier étage	Enddiffusor	Difusor final	Difusor final
17	Scatola stadio iniziale	Initial stage box	Box premier étage	Erste Stufe Diffusor	Caja etapa inicial	Carcaça primeira célula
20	Kit tenuta mecc. + OR	Mechanical seal + OR kit	Kit garniture mec. + joints toriques	Gleitringdichtung + O-Ring [Satz]	Kit sello mec. + junta tórica	Kit vedante mec. + OR
21	Kit guarnizioni OR	O ring kit	Kit joints toriques	Dichtungssatz	Kit juntas tóricas	Kit guarnições OR
23	Staffa sollevamento	Lifting bracket	Support de levage	Hebeösen	Soporte de elevación	Suporte de suspensão
24	Flangia motore	Motor flange	Bride moteur	Motorflansch	Brida motor	Flange motor
25	Kit controflangia ovale	O val counterflange kit	Kit contrebride ovale	Gegenflansch oval [Satz]	Kit contrafrida oval	Kit contraflange oval
26	Kit coppia di semigiunti	Pair of half coupling kit	Kit paire de demi-manchons	Kupplung [Satz]	Kit par de semijuntas	Kit par de semi-juntas
27	Kit protezione giunto	Coupling guard kit	Kit protection manchon	Kupplungsschutz [Satz]	Kit protección junta	Kit protecção junta
30	Kit bussola tenuta	Bush seal kit	Kit douille garniture	Gleitringdichtungsarretierung und mitnehmer	Kit casquillo sello	kit bucha vedante
31	Kit tiranti	Tie rods kit	Kit tirants	Zugstangen [Satz]	Kit tirantes	Kit tirantes
34	Kit parti di usura	Wear parts kit	Kit parties d'usure	Verschleißteile [Satz]	Kit piezas de desgaste	Kit peças desgastáveis
N.	Beschrijving nl	Περιγραφή el	Açıklama tr	Kuvaus fi	Описание ru	Opis pl
1	Motor	Πλήρης κινητήρας	Motor	Moottori	Двигатель	Silnik
2	Lantaarnstuk	Μπρακέτο	Adaptör	Sovitin	Крестовина	Piasta
3	Pompvoet	Βάση	Kaide	Perusta	Основание	Podstawa
4	Pluggen	Σετ ταπών	Tapalar	Tulpat	Пробки	Zatyczki
5	Bovenste plaat	Ανώτερος Δίσκος	Üst disk	Ylempi levy	Верхний держатель дисков	Tarcza górna
9	Waaier	στροφέιο	Pompa rotoru	Juoksupyöriä	рабочее колесо	Wirnik
10	Mantel	Κέλυφος	Gömlük	Muhvi	Муфта	Plaszcz
11	As	Άξονας	Mil	Akseli	Вал	Wał
13	Dichtingssteenplaat	Δίσκος μηχανικού στυπιοθλιπτή	Sızdırmazlık elemanı disk	Tiivsteen kannatuslevy	Пластина держателя прокладки	Tarcza uszczelki
14	Pomphuis	Σώμα αντλίας	Pompa gövdesi	Pumpun runko	Корпус насоса	Korpus pompy
15	Diffusor	Πτερύγιο εκτροπής	Difüzör	Diffusori	Диффузор	Dyfuzor
16	Diffusor laatste trap	Τελευταίο πτερύγιο εκτροπής	Son difüzör	Loppuvaiheen diffusori	Конечный диффузор	Dyfuzor końcowy
17	Kast eerste trap	Πρώτο πτερύγιο εκτροπής	İlk kademe kutusu	Ensivaiheen laatikko	Коробка начальной стадии	Skrzynka początkowego stadium
20	Set mech. asafdichting + O-ring	Μηχανικός στυπιοθλιπτής και ροδέλες στεγανοποίησης	Mekanik salmastra kiti + O-Ring	Mek. tiiviste + O-rengassarja	Комплект мех. прокладки + OR	Zestaw uszcz. mech. + OR
21	Set O-ringafdichtingen	Σετ ροδέλες στεγανοποίησης	O-Ring kiti	O-rengassarja	Комплект кольцевых прокладок OR	Zestaw uszczeliek OR
23	Hijs steun	Άρση αγκύλη	Dirsek Kaldırma	Nosto ylätuki	Подъемные кронштейн	Podnoszenia wspornik
24	Motorflens	Μπρακέτο κινητήρα	Motor flanş	Moottorin laippa	Фланец двигателя	Kolnierz silnika
25	Set ovale flenzen	Σετ Οβάλ φλάντζα	Oval flanş kiti	Soikeiden vastalajpojen sarja	Комплект Овальный фланец	Zestaw Kolnierz owalnych
26	Set koppelingshefften	Σετ σταθερού συνδέσμου	Çift yarım manşon kiti	Liitinsarja	Комплект пары полумуфт	Zestaw pary półzłączy
27	Set koppelingsbescherming	Καλύμματα προστασίας σταθερού συνδέσμου	Manşon koruma kiti	Liitoksen suojustarja	Комплект защиты муфт	Zestaw ochrony złączy
30	Set afdichtingsbus	Σετ κουζινέτου μηχανικού στυπιοθλιπτή	Sızdırmazlık elemanı burcu kiti	Holkki ja tiiviste	Комплект втулки уплотнения	Zestaw busoli uszczel.
31	Set trekstangen	Σετ ράβδων σύνδεσης	Gergi çubuğu kiti	Vetotankosarja	Комплект тяг	Zestaw napinaczy
34	Set slijtonderdelen	Σετ δακτυλίων τριβής	Aşınma parçaları kiti	Kulumisiosien sarja	Комплект изнашиваемых частей	Zestaw części podl. zużyciu

1SVFL 2 Pole 60Hz (1SVFL/D: motors IE3 fitted)

ELP 2 P 60Hz		1SV03FL0036	1SV04FL0036	1SV05FL0056	1SV06FL0056	1SV07FL0076	1SV08FL0076	1SV09FL0116	1SV10FL0116	1SV11FL0116	1SV12FL0116
F Version	M ~>	1016L607F	1016L608F	1016L609F	1016L610F	1016L611F	1016L612F	1016L613F	1016L614F	1016L615F	1016L616F
	T(IE1-IE2) ~>	1016L472F	1016L473F	1016L474F	1016L475F	1016L476F	1016L477F	1016L478F	1016L479F	1016L480F	1016L481F
	T(IE1-IE3) ~>	1016L472F	1016L473F	1016L474F	1016L475F	1016L476F	1016L477F	1016L478F	1016L479F	1016L480F	1016L481F
M ~>	M ~>	1016L617F	1016L619F	1016L621F	1016L622F	1016L624F	1016L626F	1016L628F	1016L630F		
	T(IE2) ~>	1016L482F	1016L484F	1016L486F	1016L487F	1016L489F	1016L491F	1016L493F	1016L495F	1016L497F	
	T(IE3) ~>	1016L482F	1016L483F	1016L485F	1016L486F	1016L488F	1016L490F	1016L492F	1016L494F	1016L496F	
		1016LG82F	1016LG84F	1016LG86F	1016L487F	1016L489F	1016L491F	1016L493F	1016L495F	1016L497F	

Single Unit and Kit

10	Sleeve F-T	166443040	166443060	166443070	166443080	166443100	166443120	166443140	166443150	166443160	166443180
		166443200	166443230	166443260	166443280	166443310	166443340	166443380	166443400	166443440	
11	Shaft A304	165050040	165050060	165050070	165050080	165050100	165050120	165050140	165050150	165050160	165050180
		165050200	165050230	165050260	165050280	165050310	165050340	165050380	165050400	165050440	
31	Tie rods SVF kit	KL22AK5	KL22AK6	KL22AK7	KL22AK8	KL22AK9	KL22ABP	KL22ALB	KL22ALC	KL22ALD	KL22ALE
		KL22ABT	KL22ALH	KL22ALL	KL22ABW	KL22AMK	KL22ALP	KL22AL1	KL22AL2	KL22AL3	

Motor, Coupling, Motor adaptor

Motor power kW >	0,37	0,37	0,55	0,55	0,75	0,75	1,1	1,1	1,1	1,1
	1,1	1,5	1,5	2,2	2,2	2,2	2,2	2,2	3,0	

**1	kW >	0,37	0,55	0,75	1,1	1,5	2,2	3,0
	Motor 2P, 1 ~>	107231020	107231040	107231100	107231120	107231140	50004FD00	
	Motor 2P, 3~, IE2 since 0,75kW >	107230060	107230080	107230153	107230503	50000PD00	50001PD00	50002PF00
		107230060	107230080	107230153	107230503	107240010	107240510	107241010
	Motor 2P, 3~, IE3 since 0,75kW >	107230060	107230080	107234001	107234011	107234021	50A01PD00	50A02PF00
2	Adaptor	161470700	161470700	161470720	161470720	161470740	161470740	161470760
23	Lifting bracket	-	-	-	-	-	-	-
26	Coupling	KL10ABC	KL10ABC	KL10ABD	KL10ABD	KL10ABE	KL10ABE	KL10ABF
27	Coupling guard	KL33AAM	KL33AAM	KL33AAN	KL33AAN	KL33AAP	KL33AAP	KL33AAQ

Wear Parts kit

up to model (->)	-> 1SV10	-> 1SV20	-> 1SV27	-> 1SV35	
	1 bearing	2 bearing	3 bearing	4 bearing	
*34	Wear parts	KL35AEE	KL35AEF	KL35AEG	KL35AEH

Mechanical seal Kit : Mech seal D12 + sleeve OR

*20A	Materials ->	Q1BEGG	KL01AAD	Std -> Seal Q1BEGG - OR EPDM
		Q1Q1EGG	KL01AC7	
		Q1BVGG	KL01AAG	
		Q1Q1VGG	KL01AC9	
		Q1CTGG	KL01ADB	
		Q1Q1TGG	KL01ADD	

Common, Single Unit and kit

3	Base	161431310	-> 1-3-5SVF
4	Plugs	EPDM	KL34AAT
		FPM	KL34AAL
		FEP	KL34AAM
5	Upper holder	-	
*9	Impeller 1SV A304	150703600	
	First impeller 3SV A316	150703612	
13	Seal housing disc	150102920	
14	Pump body	151302320	-> 1-3SVF
15	Diffuser	152803110	
16	Last stage diffuser	152803010	
17	First stage box	152802910	
*21	OR	EPDM	KL02AA1
		FPM	KL02AA2
		FEP	KL02AA3
24	Motor flange	-	
25	Kit oval flange OR EPDM	-	
	Kit oval flange OR FPM	-	
30	Impellers retainer	KL41AAX	

* Recommended spare parts - Parti di ricambio consigliate

* Pièces détachées conseillées - Empfohlene Ersatzteile

** Motor spare parts: see motor lists - Parti di ricambio motore: vedi liste motore

** Pièces détachées Moteur : voir listes moteur - Motor-Ersatzteile: gem. Motorlisten

3SVFL 2 Pole 60Hz (3SVFL/D: motors IE3 fitted)

ELP 2 P 60Hz		3SV03FL0056	3SV04FL0076	3SV05FL0116	3SV06FL0116	3SV07FL0116	3SV08FL0156	3SV09FL0156	3SV10FL0226	3SV11FL0226	3SV12FL0226
F Version	M ~>	1016L637F	1016L638F	1016L639F	1016L640F	1016L641F	1016L642F	1016L643F	1016L644F	1016L645F	1016L646F
	T(IE1-IE2) ~>	1016L504F	1016L505F	1016L506F	1016L507F	1016L508F	1016L509F	1016L510F	1016L511F	1016L512F	1016L513F
T(IE1-IE3) ~>		1016L504F	1016L505F	1016L506F	1016L507F	1016L508F	1016LB02F	1016LB03F	1016LB04F	1016LB05F	1016LB06F
		1016L504F	1016LH05F	1016LH06F	1016LH07F	1016LH08F	1016LH09F	1016LH10F	1016LH11F	1016LH12F	1016LH13F
M ~>		3SV13FL0226	3SV14FL0226	3SV15FL0306	3SV17FL0306	3SV19FL0306	3SV21FL0406	3SV23FL0406			
		1016L647F	1016L648F								
T(IE2) ~>		1016L514F	1016L515F	1016L516F	1016L518F	1016L520F	1016L522F	1016L524F			
		1016LB07F	1016LB08F	1016LB09F	1016LB11F	1016LB13F	1016L522F	1016L524F			
T(IE3) ~>		1016LH14F	1016LH15F	1016LH16F	1016LH18F	1016LH20F	1016LH22F	1016LH24F			

Single Unit and Kit

10	Sleeve F-T	166443040	166443060	166443070	166443080	166443100	166443120	166443140	166443150	166443160	166443180
11	Shaft A304	165050040	165050060	165050070	165050080	165050100	165050120	165050140	165050150	165050160	165050180
		165050200	165050220	165050230	165050260	165050300	165050320	165050360			
31	Tie rods SVF kit	KL22AK5	KL22AK6	KL22AK7	KL22AK8	KL22AK9	KL22ABP	KL22ALB	KL22ALC	KL22ALD	KL22ALE
		KL22ABT	KL22ALG	KL22ALH	KL22ALL	KL22ALM	KL22ALN	KL22ALQ			

Motor, Coupling, Motor adaptor

Motor power kW >	0,55	0,75	1,1	1,1	1,1	1,5	1,5	2,2	2,2	2,2
	2,2	2,2	3,0	3,0	3,0	4,0	4,0			

**1	kW >	0,55	0,75	1,1	1,5	2,2	3,0	4,0
	Motor 2P, 1 ~>	107231040	107231100	107231120	107231140	50004FD00		
	Motor 2P,3~IE2 since 0,75kW >	107230080	107230153	107230503	50000PD00	50001PD00	50002PF00	50008PG00
		107230080	107230153	107230503	107240010	107240510	107241010	50008PG00
	Motor 2P,3~IE3 since 0,75kW >	107230080	107234001	107234011	107234021	50A01PD00	50A02PF00	50A08PL00
2	Adaptor	161470700	161470720	161470720	161470740	161470740	161470760	161470760
23	Lifting bracket	-	-	-	-	-	-	-
26	Coupling	KL10ABC	KL10ABD	KL10ABD	KL10ABE	KL10ABE	KL10ABF	KL10ABK
27	Coupling guard	KL33AAM	KL33AAN	KL33AAN	KL33AAP	KL33AAP	KL33AAQ	KL33AAQ

Wear Parts kit

up to model (->)	-> 3SV10	-> 3SV20	-> 3SV27	
*34	Wear parts	KL35AEE	KL35AEF	KL35AEG

Mechanical seal Kit : Mech seal D12 + sleeve OR

*20A	Materials ->	Q1BEGG	KL01AAD	Std -> Seal Q1BEGG - OR EPDM
		Q1Q1EGG	KL01AC7	
		Q1BVGG	KL01AAG	
		Q1Q1VGG	KL01AC9	
		Q1CTGG	KL01ADB	
		Q1Q1TGG	KL01ADD	

Common, Single Unit and kit

3	Base	161431310	-> 1-3-5SVF-R
4	Plugs	EPDM	KL34AAT
		FPM	KL34AAL
		FEP	KL34AAM
5	Upper holder	-	
*9	Impeller 3SV A304	150703610	
	First impeller 5SV A316	150703622	
13	Seal housing disc	150102920	
14	Pump body	151302320	
15	Diffuser	152803110	
16	Last stage diffuser	152803010	
17	First stage box	152803302	Low NPSH stage
*21	OR	EPDM	KL02AA1
		FPM	KL02AA2
		FEP	KL02AA3
24	Motor flange	-	
25	Kit oval flange OR EPDM	-	
	Kit oval flange OR FPM	-	
30	Impellers retainer	KL41AAX	

* Recommended spare parts - Parti di ricambio consigliate

* Pièces détachées conseillées - Empfohlene Ersatzteile

** Motor spare parts: see motor lists - Parti di ricambio motore: vedi liste motore

** Pièces détachées Moteur : voir listes moteur - Motor-Ersatzteile: gem. Motorlisten

5SVFL 2 Pole 60Hz (5SVFL/D: motors IE3 fitted)

Production date > June 2012

ELP 2 P 60										
F Version	5SV03FL0116	5SV04FL0156	5SV05FL0156	5SV06FL0226	5SV07FL0226	5SV08FL0226	5SV09FL0306	5SV10FL0306	5SV11FL0306	5SV12FL0406
M ~>	1016L655F	1016L656F	1016L657F	1016L658F	1016L659F	1016L660F	1016L661F			
T(IE2) ~>	1016L531F	1016L532F	1016L533F	1016L534F	1016L535F	1016L536F	1016L537F	1016L538F	1016L539F	1016L540F
T(IE3) ~>	1016L531F	1016L532F	1016LB18F	1016LB19F	1016LB20F	1016LB21F	1016LB22F	1016LB23F	1016LB24F	1016LB25F
	1016LH31F	1016LH32F	1016LH33F	1016LH34F	1016LH35F	1016LH36F	1016LH37F	1016LH38F	1016LH39F	1016LH40F
M ~>	5SV13FL0406	5SV14FL0406	5SV15FL0406	5SV16FL0406	5SV17FL0556	5SV19FL0556	5SV21FL0556	5SV23FL0756		
T(IE2) ~>	1016L541F	1016L542F	1016L543F	1016L544F	1016L545F	1016L547F	1016L549F	1016L551F		
T(IE3) ~>	1016LH41F	1016LH42F	1016LH43F	1016LH44F	1016LH45F	1016LH47F	1016LH49F	1016LH51F		

Single Unit and Kit

10	Sleeve F-T	166443050	166443070	166443090	166443110	166443130	166443150	166443170	166443190	166443210	166443230
		166443250	166443270	166443290	166443310	166443330	166443370	166443410	166443450		
11	Shaft A304	165050050	165050070	165050090	165050110	165050130	165050150	165050170	165050190	165050210	165050230
		165050250	165050270	165050290	165050310	165050330	165050370	165050410	165050450		
31	Tie rods SVF K	KL22AL8	KL22AK7	KL22AL9	KL22AMA	KL22AMB	KL22ALC	KL22AMC	KL22AMD	KL22AME	KL22ALH
		KL22AMF	KL22AMG	KL22AMH	KL22AMK	KL22AMT	KL22AMU	KL22AMM	KL22AMN		

Motor, Coupling, Motor adaptor

Motor power kW >	1,1	1,5	1,5	2,2	2,2	2,2	3,0	3,0	3,0	4,0
	4,0	4,0	4,0	4,0	5,5	5,5	5,5	5,5		

**1	kW >	1,1	1,5	2,2	3,0	4,0	5,5	7,5
	Motor 2P, 1 ~>	107231120	107231140	50004FD00				
	Motor 2P, 3~, IE2 since 0,75kW	107230503	50000PD00	50001PD00	50002PF00	50008PG00	50013PE00	50017PB00
		107230503	107240010	107240510	107241010	50008PG00	50013PE00	50017PB00
	Motor 2P, 3~, IE3 since 0,75kW	107234011	107234021	50A01PD00	50A02PF00	50A08PL00	50A13PE00	50A17PB00
2	Adaptor	161470720	161470740	161470740	161470760	161470760	161470760	161470860
23	Lifting bracket	-	-	-	-	-	161441050	161441050
26	Coupling	KL10ABD	KL10ABE	KL10ABE	KL10ABF	KL10ABK	KL10ABL	KL10ABZ
27	Coupling guard	KL33AAN	KL33AAP	KL33AAP	KL33AAQ	KL33AAQ	KL33AAQ	KL33AAU

Wear Parts kit

up to model (->)	-> 5SV08	-> 5SV16	-> 5SV22	-> 5SV28
	1 bearing	2 bearing	3 bearing	4 bearing
*34 Wear parts	KL35AEL	KL35AEM	KL35AEN	KL35AEP
First spacer 5SV A316	162503912	162503912	162503912	162503912
				Low NPSH spacer

Mechanical seal Kit : Mech seal D12 + sleeve OR

*20A	Materials ->	Q1BEGG	KL01AAD	Std -> Seal Q1BEGG - OR EPDM
		Q1Q1EGG	KL01AC7	
		Q1BVGG	KL01AAG	
		Q1Q1VGG	KL01AC9	
		Q1CTGG	KL01ADB	
		Q1Q1TGG	KL01ADD	

Common, Single Unit and kit

3	Base	161431310	-> 1-3-5SVF-R
4	Plugs	EPDM	KL34AAT
		FPM	KL34AAL
		FEP	KL34AAM
5	Upper holder	-	
*9	Impeller 5SV A304	150703620	
	First impeller 5SV A316	150703712	Low NPSH impeller
13	Seal housing disc	150102920	
14	Pump body	151302400	-> 5SVF
15	Diffuser	152803120	
16	Last stage diffuser	152803020	
17	First stage box	152803312	Low NPSH stage
*21	OR	EPDM	KL02AA1
		FPM	KL02AA2
		FEP	KL02AA3
24	Motor flange	161050700	1-3-5SV 5,5 kW
25	Kit oval flange OR EPDM	-	
	Kit oval flange OR FPM	-	
30	Impellers retainer	KL41AAX	

* Recommended spare parts - Parti di ricambio consigliate

* Pièces détachées conseillées - Empfohlene Ersatzteile

** Motor spare parts: see motor lists - Parti di ricambio motore: vedi liste motore

** Pièces détachées Moteur : voir listes moteur - Motor-Ersatzteile: gem. Motorlisten

1-22SVFL_6_June12_EdC

10SVFL 2 Pole 60Hz (10SVFL/D: motors IE3 fitted)

ELP 2P 60	10SV03FL030	10SV04FL030	10SV05FL040	10SV06FL055	10SV07FL055	10SV08FL055	10SV09FL075	10SV10FL075	10SV11FL075	10SV13FL110
F Version	1016L668F									
M ->	1016L558F	1016L559F	1016L560F	1016L561F	1016L562F	1016L563F	1016L564F	1016L565F	1016L566F	1016L568F
T(IE2) ->	1016LB31F	1016LB32F	1016L560F	1016L561F	1016L562F	1016L563F	1016L564F	1016L565F	1016L566F	1016L568F
T(IE3) ->	1016LH58F	1016LH59F	1016LH60F	1016LH61F	1016LH62F	1016LH63F	1016LH64F	1016LH65F	1016LH66F	1016LH68F
	10SV15FL1106									
M ->										
T(IE2) ->	1016L570F									
T(IE3) ->	1016LH70F									

Single Unit and Kit

10	Sleeve F-T	166444030 166444190	166444040	166444060	166444070	166444080	166444100	166444110	166444120	166444140	166444160
11	Shaft A304	165051030 165051190B	165051040	165051060	165051070	165051080	165051100	165051110	165051120	165051140	165051160B
31	Tie rods SVF	KL22AB4 KL22ANL	KL22AM4	KL22AM6	KL22AM7	KL22AM8	KL22ANA	KL22AB9	KL22ANC	KL22ANE	KL22ANG

Motor, Coupling, Motor Adaptor

Motor power kW >	3,0	3,0	4,0	5,5	5,5	5,5	7,5	7,5	7,5	11,0
------------------	-----	-----	-----	-----	-----	-----	-----	-----	-----	------

**1	kW >	3,0	4,0	5,5	7,5	11,0
	Motor 2P, 1 ~>					
	Motor 2P, 3-, IE2 since 0,75k	50002PF00 107241010	50008PG00	50013PE00	50017PB00	50019PE00
	Motor 2P, 3-, IE3 since 0,75k	50A02PF00	50A08PL00	50A13PE00	50A17PB00	50A19PE00
2	Adaptor	161470760	161470760	161470760	161470860	161470880
23	Lifting bracket	-	-	161441050	161441050	161441060
26	Coupling	KL10ABF	KL10ABK	KL10ABL	KL10ABZ	KL10AB0
27	Coupling guard	KL33AAQ	KL33AAQ	KL33AAQ	KL33AAU	KL33AAU

Wear Parts Kit

up to model (->)	->10SV09	->10SV16	
*34	Wear parts	1 bearing KL35AER	2 bearing KL35AES
	First spacer 10SV A316	162503922	162503922 Low NPSH spacer
	Impeller spacer 10SV A316	162503952	162503952 Low NPSH spacer

Mechanical seal Kit : Mech seal D16 + OR

*20A	Materials->	Q1BEGG	KL01AAE	Std -> Seal Q1BEGG - sleeve OR EPDM / Unbalanced : 10-15-22SV < / = 4 kW
		Q1Q1EGG	KL01AC8	
		Q1BVGG	KL01AAH	
		Q1Q1VGG	KL01ADA	
		Q1CTGG	KL01ADC	
		Q1Q1TGG	KL01ADE	
*20	Materials->	Q1BEGG	KL01AD7	Std -> Seal Q1BEGG - upper holder OR EPDM / Balanced : 10-15-22SV = / > 5,5 kW
		Q1Q1EGG	KL01AD3	
		Q1BVGG	KL01AD2	
		Q1Q1VGG	KL01AD4	
		Q1CTGG	KL01AD9	
		Q1Q1TGG	KL01AEA	

Common, Single Unit and Kit

3	Base	161431330	-> 10SV
4	Plugs	EPDM FPM FEP	KL34AAT KL34AAL KL34AAM
5	Upper holder	- 160103710 160103730	Up to 4,0 kW included Over 5,5 kW Part holed for tap
*9	Impeller10 SV A304 First impeller 15SV A316	150703630 150703642	
13	Seal housing disc	150102940 150102960	Up to 4,0 kW included Over 5,5 kW
14	Pump body	151302450	
15	Diffuser	152803130	
16	Last stage diffuser	152803030	
17	First stage box	152803322	Low NPSH stage
*21	OR	EPDM FPM FEP	KL02AA4 KL02AA5 KL02AA6
24	Motor flange	-	
25	Kit oval flange OR EPDM Kit oval flange OR FPM	- -	
30	Impellers retainer	KL41AAY	Unbalanced : 10-15-22SV < / = 4 kW
30	Bush seal kit	KL41AA1	Balanced : 10-15-22SV = / > 5,5 kW

* Recommended spare parts - Parti di ricambio consigliate

* Pièces détachées conseillées - Empfohlene Ersatzteile

** Motor spare parts: see motor lists - Parti di ricambio motore: vedi liste motore

** Pièces détachées Moteur : voir listes moteur - Motor-Ersatzteile: gem. Motorlisten

15SVFL 2 Pole 60Hz (15SVFL/D: motors IE3 fitted)

ELP 2P 60		15SV02FL040	15SV03FL055	15SV04FL075	15SV05FL110	15SV06FL110	15SV07FL110	15SV08FL150	15SV09FL150	15SV10FL150	15SV11FL185
F Version	M ~>										
T(IE2) ~>		1016L576F	1016L577F	1016L578F	1016L579F	1016L580F	1016L581F	1016L582F	1016L583F	1016L584F	1016L585F
		1016LB38F	1016L577F	1016L578F	1016L579F	1016L580F	1016L581F	1016L582F	1016L583F	1016L584F	1016L585F
T(IE3) ~>		1016LH76F	1016LH77F	1016LH78F	1016LH79F	1016LH80F	1016LH81F	1016LH82F	1016LH83F	1016LH84F	1016LH85F
		15SV12FL1856									
M ~>											
T(IE2) ~>		1016L586F									
T(IE3) ~>		1016LH86F									

Single Unit and Kit

10	Sleeve F - T	166444030	166444050	166444070	166444090	166444110	166444130	166444150	166444170	166444190	166444210
		166444230									
11	Shaft A304	165051030	165051050	165051070	165051090	165051110B	165051130B	165051150B	165051170B	165051190B	165051210B
		165051230B									
31	Tie rods SVF K	KL22AB4	KL22AM5	KL22AM7	KL22AM9	KL22AB9	KL22AND	KL22ANF	KL22ANH	KL22ANL	KL22ANN
		KL22ANQ									

Motor, Coupling, Motor Adaptor

Motor power kW >	4,0	5,5	7,5	11,0	11,0	11,0	15,0	15,0	15,0	18,5
------------------	-----	-----	-----	------	------	------	------	------	------	------

**1	kW >	4,0	5,5	7,5	11,0	15,0	18,5
	Motor 2P, 1 ~>						
	Motor 2P, 3~IE2 since 0,75kW	50008PG00	50013PE00	50017PB00	50019PE00	50024PB00	50025PB00
		50008PG00	50013PE00	50017PB00	50019PE00	50024PB00	50025PB00
	Motor 2P, 3~IE3 since 0,75kW	50A08PL00	50A13PE00	50A17PB00	50A19PE00	50A24PB00	50A25PB00
2	Adaptor	161470760	161470760	161470860	161470880	161470880	161470880
23	Lifting bracket	-	161441050	161441050	161441060	161441060	161441060
26	Coupling	KL10ABK	KL10ABL	KL10ABZ	KL10AB0	KL10AB0	KL10AB0
27	Coupling guard	KL33AAQ	KL33AAQ	KL33AAU	KL33AAU	KL33AAU	KL33AAU

Wear Parts Kit

up to model (->)	->15SV06	->15SV11	->15SV17	
	1 bearing	2 bearing	3 bearing	
*34 Wear parts	KL35AEU	KL35AEV	KL35AEW	
First spacer 15-22SV A316	162503932	162503932	162503932	Low NPSH spacer
Impeller spacer 15-22SV A316	162503962	162503962	162503962	Low NPSH spacer
Impeller screw A316	002617895	002617895	002617895	Screw M10X30 A4-70 Hex

Mechanical seal Kit : Mech seal D16 + OR

*20A	Materials->	Q1BEGG	KL01AAE	Std -> Seal Q1BEGG - sleeve OR EPDM / Unbalanced : 10-15-22SV < / = 4 kW
		Q1Q1EGG	KL01AC8	
		Q1BVGG	KL01AAH	
		Q1Q1VGG	KL01ADA	
		Q1CTGG	KL01ADC	
		Q1Q1TGG	KL01ADE	
*20	Materials->	Q1BEGG	KL01AD7	Std -> Seal Q1BEGG - upper holder OR EPDM / Balanced : 10-15-22SV = / > 5,5 kW
		Q1Q1EGG	KL01AD3	
		Q1BVGG	KL01AD2	
		Q1Q1VGG	KL01AD4	
		Q1CTGG	KL01AD9	
		Q1Q1TGG	KL01AEA	

Common, Single Unit and Kit

3	Base	161431350	-> 15-22SV
4	Plugs	EPDM	KL34AAT
		FPM	KL34AAL
		FEP	KL34AAM
5	Upper holder	-	Up to 4,0 kW included
		160103710	Over 5,5 kW
		160103730	Part holed for tap
*9	Impeller 15SV A304	150703640	
	First impeller 15SV A316	150703642	
13	Seal housing disc	150102940	Up to 4,0 kW included
		150102960	Over 5,5 kW
14	Pump body	151302600	
15	Diffuser	152803150	
16	Last stage diffuser	152803050	
17	First stage box	152803332	Low NPSH stage
*21	OR	EPDM	KL02AA4
		FPM	KL02AA5
		FEP	KL02AA6
24	Motor flange	-	
25	Kit oval flange OR EPDM	-	
	Kit oval flange OR FPM	-	
30	Impellers retainer	KL41AAZ	Unbalanced : 10-15-22SV < / = 4 kW
30	Bush seal kit	KL41AA1	Balanced : 10-15-22SV = / > 5,5 kW

* Recommended spare parts - Parti di ricambio consigliate

* Pièces détachées conseillées - Empfohlene Ersatzteile

** Motor spare parts: see motor lists - Parti di ricambio motore: vedi liste motore

** Pièces détachées Moteur : voir listes moteur - Motor-Ersatzteile: gem. Motorlister

22SVFL 2 Pole 60Hz (22SVFL/D: motors IE3 fitted)

ELP 2P 60	22SV02FL0556	22SV03FL075	22SV04FL110	22SV05FL110	22SV06FL150	22SV07FL150	22SV08FL150	22SV09FL185	22SV10FL220
F Version									
M ~>									
T(IE2) ~>	1016L592F	1016L593F	1016L594F	1016L595F	1016L596F	1016L597F	1016L598F	1016L599F	1016L600F
T(IE3) ~>	1016LH92F	1016LH93F	1016LH94F	1016LH95F	1016LH96F	1016LH97F	1016LH98F	1016LH99F	1016LJ00F

Single Unit and Kit

10	Sleeve F-T	166444030	166444050	166444070	166444090	166444110	166444130	166444150	166444170	166444190
11	Shaft A304	165051030	165051050	165051070	165051090B	165051110B	165051130B	165051150B	165051170B	165051190B
31	Tie rods SVF	KL22AB4	KL22AM5	KL22AM7	KL22AM9	KL22AB9	KL22AND	KL22ANF	KL22ANH	KL22ANL

Motor, Coupling, Motor Adaptor

Motor power kW >	5,5	7,5	11,0	11,0	15,0	15,0	15,0	18,5	22,0
------------------	-----	-----	------	------	------	------	------	------	------

**1	kW >	5,5	7,5	11,0	15,0	18,5	22,0
	Motor 2P, 1 ~>						
	Motor 2P, 3~ ,IE3 since 0,75kW	50013PE00	50017PB00	50019PE00	50024PB00	50025PB00	50026PE00
		50013PE00	50017PB00	50019PE00	50024PB00	50025PB00	50026PE00
	Motor 2P, 3~ ,IE3 since 0,75kW	50A13PE00	50A17PB00	50A19PE00	50A24PB00	50A25PB00	50A26PE00
2	Adaptor	161470760	161470860	161470880	161470880	161470880	161453660
23	Lifting bracket	161441050	161441050	161441060	161441060	161441060	161441060
26	Coupling	KL10ABL	KL10ABZ	KL10AB0	KL10AB0	KL10AB0	KL10AAE
27	Coupling guard	KL33AAQ	KL33AAU	KL33AAU	KL33AAU	KL33AAU	KL33AAC

Wear Parts Kit

		->22SV06	->22SV11	
up to model (->)		1 bearing	2 bearing	
*34	Wear parts	KL35AEU	KL35AEV	
	First spacer 15-22SV A316	162503932	162503932	Low NPSH spacer
	Impeller spacer 15-22SV A316	162503962	162503962	Low NPSH spacer
	Impeller screw A316	002617895	002617895	Screw M10X30 A4-70 Hex

Mechanical seal Kit : Mech seal D16 + OR

*20A	Materials->	Q1BEGG	KL01AAE	Std -> Seal Q1BEGG - sleeve OR EPDM / Unbalanced : 10-15-22SV < / = 4 kW
		Q1Q1EGG	KL01AC8	
		Q1BVGG	KL01AAH	
		Q1Q1VGG	KL01ADA	
		Q1CTGG	KL01ADC	
		Q1Q1TGG	KL01ADE	
*20	Materials->	Q1BEGG	KL01AD7	Std -> Seal Q1BEGG - upper holder OR EPDM / Balanced : 10-15-22SV = / > 5,5 kW
		Q1Q1EGG	KL01AD3	
		Q1BVGG	KL01AD2	
		Q1Q1VGG	KL01AD4	
		Q1CTGG	KL01AD9	
		Q1Q1TGG	KL01AEA	

Common, Single Unit and Kit

3	Base	161431350	-> 15-22SV
4	Plugs	EPDM	KL34AAT
		FPM	KL34AAL
		FEP	KL34AAM
5	Upper holder	-	Up to 4,0 kW included
		160103710	Over 5,5 kW
		160103730	Part holed for tap
*9	Impeller 22SV A304	150703650	
	First impeller 15-22SV A316	150703722	Low NPSH impeller
13	Seal housing disc	150102940	Up to 4,0 kW included
		150102960	Over 5,5 kW
14	Pump body	151302600	
15	Diffuser	152803150	
16	Last stage diffuser	152803050	
17	First stage box	152803332	Low NPSH stage
*21	OR	EPDM	KL02AA4
		FPM	KL02AA5
		FEP	KL02AA6
24	Motor flange	-	
25	Kit oval flange OR EPDM	-	
		-	
30	Impellers retainer	KL41AA1	Unbalanced : 10-15-22SV < / = 4 kW
30	Bush seal kit	KL41AA1	Balanced : 10-15-22SV = / > 5,5 kW

* Recommended spare parts - Parti di ricambio consigliate

* Pièces détachées conseillées - Empfohlene Ersatzteile

** Motor spare parts: see motor lists - Parti di ricambio motore: vedi liste motore

** Pièces détachées Moteur : voir listes moteur - Motor-Ersatzteile: gem. Motorlisten