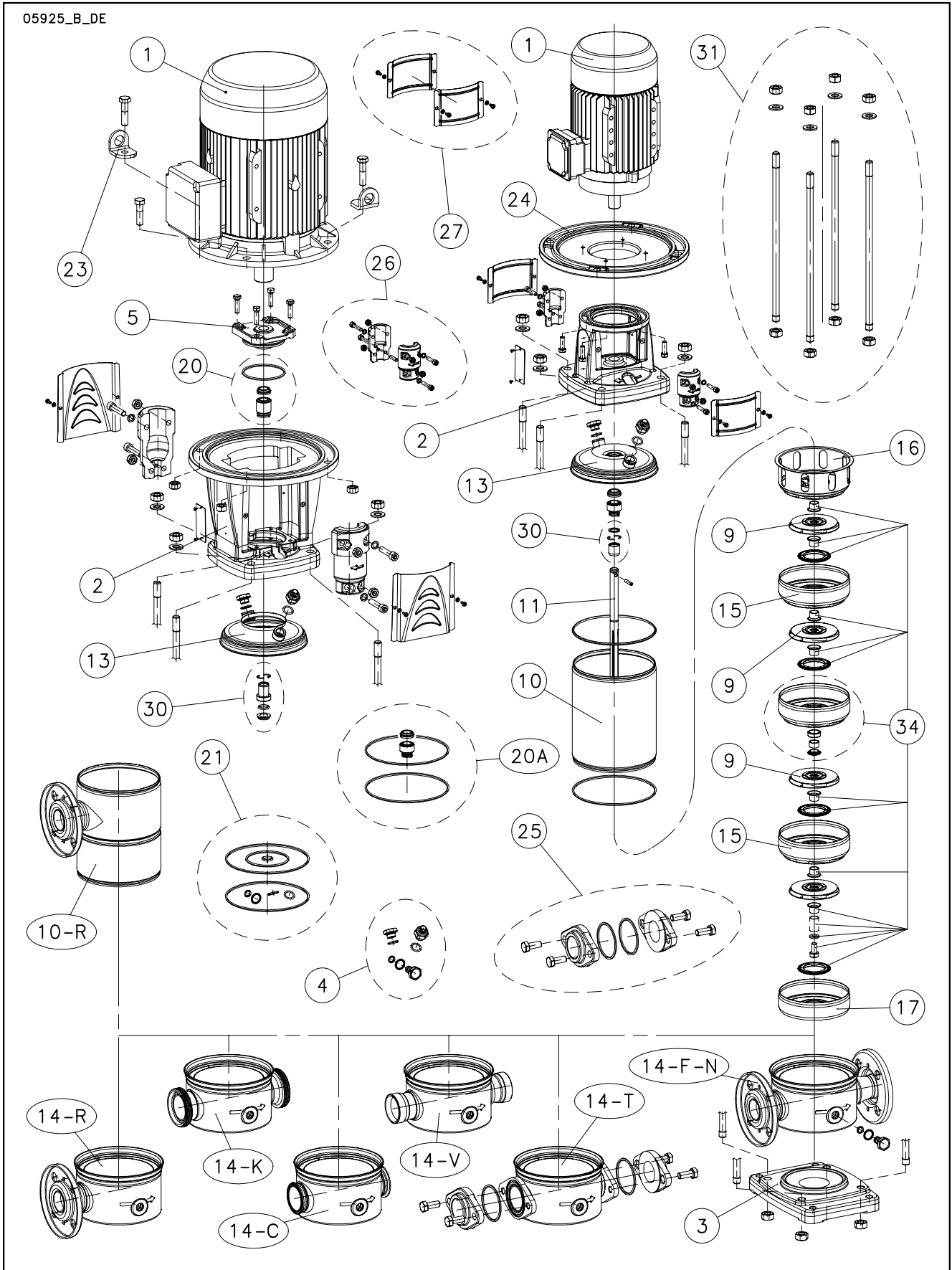


1, 3, 5, 10, 15, 22SV



Lowara and Vogel Pumpen are a trademark of Xylem Inc. or one of its subsidiaries. Goulds is a registered trademark of Goulds Pumps, Inc. and is used under license.

N.	Descrizione It	Description en	Description fr	Beschreibung de	Descripción es	Descrição pt
1	Motore	Motor	Moteur	Motor	Motor	Motor
2	Lanterna	Adaptor	Lanterne	Motorlanterne	Adaptador	Adaptador
3	Base	Basement	Base	Untersatz	Base	Base
4	Tappi	Plugs	Bouchons	Stopfen	Tapones	Tampões
5	Portatenuta superiore	Upper holder	Disque supérieure	Oberer dichtungsdeckel	Disco superior	Disco superior
9	Girante	Impeller	Roue	Laufrad	Rodete	Impulsor
10	Camicia	Sleeve	Chemise	Gehäuse	Camisa	Camisa
11	Albero	Shaft	Arbre	Welle	Árbol	Veio
13	Disco porta tenuta	Seal housing disc	Disque de garniture	Dichtungsdeckel	Disco de alojamiento sello	Disco porta-vedante
14	Corpo pompa	Pump body	Corps de pompe	Pumpengehäuse	Caja bomba	Corpo da bomba
15	Diffusore	Diffuser	Diffuseur	Diffusor	Difusor	Difusor
16	Diffusore finale	Last stage diffuser	Diffuseur dernier étage	Enddiffusor	Difusor final	Difusor final
17	Scatola stadio iniziale	Initial stage box	Box premier étage	Erste Stufe Diffusor	Caja etapa inicial	Carcaça primeira célula
20	Kit tenuta mecc. + OR	Mechanical seal + OR kit	Kit garniture mec. + joints toriques	Gleitringdichtung + O-Ring [Satz]	Kit sello mec. + junta tórica	Kit vedante mec. + OR
21	Kit guarnizioni OR	O ring kit	Kit joints toriques	Dichtungssatz	Kit juntas tóricas	Kit guarnições OR
23	Staffa sollevamento	Lifting bracket	Support de levage	Hebeösen	Soporte de elevación	Suporte de suspensão
24	Flangia motore	Motor flange	Bride moteur	Motorflansch	Brida motor	Flange motor
25	Kit controflangia ovale	O val counterflange kit	Kit contrebride ovale	Gegenflansch oval [Satz]	Kit contrafrida oval	Kit contraflange oval
26	Kit coppia di semigiunti	Pair of half coupling kit	Kit paire de demi-manchons	Kupplung [Satz]	Kit par de semijuntas	Kit par de semi-juntas
27	Kit protezione giunto	Coupling guard kit	Kit protection manchon	Kupplungsschutz [Satz]	Kit protección junta	Kit protecção junta
30	Kit bussola tenuta	Bush seal kit	Kit douille garniture	Gleitringdichtungsarretierung und mitnehmer	Kit casquillo sello	kit bucha vedante
31	Kit tiranti	Tie rods kit	Kit tirants	Zugstangen [Satz]	Kit tirantes	Kit tirantes
34	Kit parti di usura	Wear parts kit	Kit parties d'usure	Verschleißteile [Satz]	Kit piezas de desgaste	Kit peças desgastáveis
N.	Beschrijving nl	Περιγραφή el	Açıklama tr	Kuvaus fi	Описание ru	Opis pl
1	Motor	Πλήρης κινητήρας	Motor	Moottori	Двигатель	Silnik
2	Lantaarnstuk	Μπρακέτο	Adaptör	Sovitin	Крестовина	Piasta
3	Pompvoet	Βάση	Kaide	Perusta	Основание	Podstawa
4	Pluggen	Σετ ταπών	Tapalar	Tulpat	Пробки	Zatyczki
5	Bovenste plaat	Ανώτερος δίσκος	Üst disk	Ylempi levy	Верхний держатель дисков	Tarcza górna
9	Waaier	στροφέιο	Pompa rotoru	Juoksupyöriä	рабочее колесо	Wirnik
10	Mantel	Κέλυφος	Gömlek	Muhvi	Муфта	Plaszcz
11	As	Άξονας	Mil	Akseli	Вал	Wał
13	Dichtingssteenplaat	Δίσκος μηχανικού στυποθλιπτή	Sızdırmazlık elemanı disk	Tiivisteenn kannatuslevy	Пластина держателя прокладки	Tarcza uszczelki
14	Pomphuis	Σώμα αντλίας	Pompa gövdesi	Pumpun runko	Корпус насоса	Korpus pompy
15	Diffusor	Πτερύγιο εκτροπής	Difüzör	Diffusori	Диффузор	Dyfuzor
16	Diffusor laatste trap	Τελευταίο πτερύγιο εκτροπής	Son difüzör	Loppuvaiheen diffusori	Конечный диффузор	Dyfuzor końcowy
17	Kast eerste trap	Πρώτο πτερύγιο εκτροπής	İlk kademe kutusu	Ensivaiheen laatikko	Коробка начальной стадии	Skrzynka początkowego stadium
20	Set mech. asafdichting + O-ring	Μηχανικός στυποθλιπτής και ροδέλες στεγανοποίησης	Mekanik salmastra kiti + O-Ring	Mek. tiiviste + O-rengassarja	Комплект мех. прокладки + OR	Zestaw uszcz. mech. + OR
21	Set O-ringafdichtingen	Σετ ροδέλες στεγανοποίησης	O-Ring kiti	O-rengassarja	Комплект кольцевых прокладок OR	Zestaw uszczeliek OR
23	Hijz steun	Άρση αγκύλη	Dirsek Kaldırma	Nosto ylätuki	Подъемные кронштейн	Podnoszenia wspornik
24	Motorflens	Μπρακέτο κινητήρα	Motor flanş	Moottorin laippa	Фланец двигателя	Kolnierz silnika
25	Set ovale flenzen	Σετ Οβάλ φλάντζα	Oval flanş kiti	Soikeiden vastalaipprojen sarja	Комплект Овальный фланец	Zestaw Kolnierz owalnych
26	Set koppelingshefften	Σετ σταθερού συνδέσμου	Çift yanım manşon kiti	Liitinsarja	Комплект пары полумуфт	Zestaw pary półzłączy
27	Set koppelingsbescherming	Καλύμματα προστασίας σταθερού συνδέσμου	Manşon koruma kiti	Liitoksen suojustarja	Комплект защиты муфт	Zestaw ochrony złączy
30	Set afdichtingsbus	Σετ κουζινέτου μηχανικού στυποθλιπτή	Sızdırmazlık elemanı burcu kiti	Holkki ja tiiviste	Комплект втулки уплотнения	Zestaw busoli uszczel.
31	Set trekstangen	Σετ ράβδων σύνδεσης	Gergi çubuğu kiti	Vetotankosarja	Комплект тяг	Zestaw napinaczy
34	Set slijtonderdelen	Σετ δακτυλίων τριβής	Aşınma parçaları kiti	Kulumisiosien sarja	Комплект изнашиваемых частей	Zestaw części podł. zużyciu

ELP 2 P 60Hz		1SV03FL0036	1SV04FL0036	1SV05FL0056	1SV06FL0056	1SV07FL0076	1SV08FL0076	1SV09FL0116	1SV10FL0116	1SV11FL0116	1SV12FL0116
M ~>		1016L607F	1016L608F	1016L609F	1016L610F	1016L611F	1016L612F	1016L613F	1016L614F	1016L615F	1016L616F
T ~>		1016L472F	1016L473F	1016L474F	1016L475F	1016LG76F	1016LG77F	1016LG78F	1016LG79F	1016LG80F	1016LG81F
		1SV13FL0116	1SV15FL0156	1SV17FL0156	1SV18FL0226	1SV20FL0226	1SV22FL0226	1SV24FL0226	1SV26FL0226	1SV28FL0306	
M ~>		1016L617F	1016L619F	1016L621F	1016L622F	1016L624F	1016L626F	1016L628F	1016L630F		
T ~>		1016LG82F	1016LG84F	1016LG86F	1016L487F	1016L489F	1016L491F	1016L493F	1016L495F	1016L497F	

Single Unit and Kit

10	Sleeve F-T	166443040	166443060	166443070	166443080	166443100	166443120	166443140	166443150	166443160	166443180
		166443200	166443230	166443260	166443280	166443310	166443340	166443380	166443400	166443440	
11	Shaft A304	165050040	165050060	165050070	165050080	165050100	165050120	165050140	165050150	165050160	165050180
		165050200	165050230	165050260	165050280	165050310	165050340	165050380	165050400	165050440	
31	Tie rods SVF kit	KL22AK5	KL22AK6	KL22AK7	KL22AK8	KL22AK9	KL22ABP	KL22ALB	KL22ALC	KL22ALD	KL22ALE
		KL22ABT	KL22ALH	KL22ALL	KL22ABW	KL22AMK	KL22ALP	KL22AL1	KL22AL2	KL22AL3	

Motor, Coupling, Motor adaptor

Motor power	0,37	0,37	0,55	0,55	0,75	0,75	1,1	1,1	1,1	1,1
kW >	1,1	1,5	1,5	2,2	2,2	2,2	2,2	2,2	3,0	

**1	kW >	0,37	0,55	0,75	1,1	1,5	2,2	3,0
	Motor 2P, 1 ~>	107231020	107231040	107231100	107231120	107231140	50004FD00	
	Motor 2P, 3 ~>	107230060	107230080	107234001	107234011	107234021	50001PD00	107241010
2	Adaptor	161470700	161470700	161470720	161470720	161470740	161470740	161470760
23	Lifting bracket	-	-	-	-	-	-	-
26	Coupling	KL10ABC	KL10ABC	KL10ABD	KL10ABD	KL10ABE	KL10ABE	KL10ABF
27	Coupling guard	KL33AAM	KL33AAM	KL33AAN	KL33AAN	KL33AAP	KL33AAP	KL33AAQ

Wear Parts kit

	- > 1SV10	- > 1SV20	- > 1SV27	- > 1SV35
up to model (- >)	1 bearing	2 bearing	3 bearing	4 bearing
*34 Wear parts	KL35AEE	KL35AEF	KL35AEG	KL35AEH

Mechanical seal Kit : Mech seal D12 + sleeve OR

*20A	Materials ->	Q1BEGG	KL01AAD	Std -> Seal Q1BEGG - OR EPDM
		Q1Q1EGG	KL01AC7	
		Q1BVGG	KL01AAG	
		Q1Q1VGG	KL01AC9	
		Q1CTGG	KL01ADB	
		Q1Q1TGG	KL01ADD	

Common, Single Unit and kit

3	Base	161431310	-> 1-3-5SVF
4	Plugs	EPDM	KL34AAT
		FPM	KL34AAL
		FEP	KL34AAM
5	Upper holder	-	
*9	Impeller 1SV A304	150703600	
	First impeller 3SV A316	150703612	
13	Seal housing disc	150102920	
14	Pump body	151302320	-> 1-3SVF
15	Diffuser	152803110	
16	Last stage diffuser	152803010	
17	First stage box	152802910	
*21	OR	EPDM	KL02AA1
		FPM	KL02AA2
		FEP	KL02AA3
24	Motor flange	-	
25	Kit oval flange OR EPDM	-	
	Kit oval flange OR FPM	-	
30	Impellers retainer	KL41AAX	

* Recommended spare parts - Parti di ricambio consigliate

* Pièces détachées conseillées - Empfohlene Ersatzteile

** Motor spare parts: see motor lists - Parti di ricambio motore: vedi liste motore

** Pièces détachées Moteur : voir listes moteur - Motor-Ersatzteile: gem. Motorlisten

3SVFL 2 Pole 60Hz

Production date > June 2012

ELP 2 P 60Hz											
F Version	M ~ >	3SV03FL0056	3SV04FL0076	3SV05FL0116	3SV06FL0116	3SV07FL0116	3SV08FL0156	3SV09FL0156	3SV10FL0226	3SV11FL0226	3SV12FL0226
	T ~ >	1016L637F	1016L638F	1016L639F	1016L640F	1016L641F	1016L642F	1016L643F	1016L644F	1016L645F	1016L646F
M ~ >	T ~ >	1016L504F	1016LH05F	1016LH06F	1016LH07F	1016LH08F	1016LH09F	1016LH10F	1016L511F	1016L512F	1016L513F
	M ~ >	3SV13FL0226	3SV14FL0226	3SV15FL0306	3SV17FL0306	3SV19FL0306	3SV21FL0406	3SV23FL0406			
T ~ >		1016L647F	1016L648F								
		1016L514F	1016L515F	1016L516F	1016L518F	1016L520F	1016L522F	1016L524F			

Single Unit and Kit

10	Sleeve F-T	166443040	166443060	166443070	166443080	166443100	166443120	166443140	166443150	166443160	166443180
11	Shaft A304	166443200	166443220	166443230	166443260	166443300	166443320	166443360			
		165050040	165050060	165050070	165050080	165050100	165050120	165050140	165050150	165050160	165050180
31	Tie rods SVF kit	165050200	165050220	165050230	165050260	165050300	165050320	165050360			
		KL22AK5	KL22AK6	KL22AK7	KL22AK8	KL22AK9	KL22ABP	KL22ALB	KL22ALC	KL22ALD	KL22ALE
		KL22ABT	KL22ALG	KL22ALH	KL22ALL	KL22ALM	KL22ALN	KL22ALQ			

Motor, Coupling, Motor adaptor

Motor power kW >	0,55	0,75	1,1	1,1	1,1	1,5	1,5	2,2	2,2	2,2
	2,2	2,2	3,0	3,0	3,0	4,0	4,0			

**1	kW >	0,55	0,75	1,1	1,5	2,2	3,0	4,0
	Motor 2P, 1 ~ >	107231040	107231100	107231120	107231140	50004FD00		
	Motor 2P, 3 ~ >	107230080	107234001	107234011	107234021	50001PD00	50002PF00	50008PG00
2	Adaptor	161470700	161470720	161470720	161470740	161470740	161470760	161470760
23	Lifting bracket	-	-	-	-	-	-	-
26	Coupling	KL10ABC	KL10ABD	KL10ABD	KL10ABE	KL10ABE	KL10ABF	KL10ABK
27	Coupling guard	KL33AAM	KL33AAN	KL33AAN	KL33AAP	KL33AAP	KL33AAQ	KL33AAQ

Wear Parts kit

up to model (- >)	- > 3SV10	- > 3SV20	- > 3SV27	
*34	Wear parts	KL35AEE	KL35AEF	KL35AEG

Mechanical seal Kit : Mech seal D12 + sleeve OR

*20A	Materials ->	Q1BEGG	KL01AAD	Std -> Seal Q1BEGG - OR EPDM
		Q1Q1EGG	KL01AC7	
		Q1BVGG	KL01AAG	
		Q1Q1VGG	KL01AC9	
		Q1CTGG	KL01ADB	
		Q1Q1TGG	KL01ADD	

Common, Single Unit and kit

3	Base	161431310	-> 1-3-5SVF-R
4	Plugs	EPDM	KL34AAT
		FPM	KL34AAL
		FEP	KL34AAM
5	Upper holder	-	
*9	Impeller 3SV A304	150703610	
	First impeller 5SV A316	150703622	
13	Seal housing disc	150102920	
14	Pump body	151302320	
15	Diffuser	152803110	
16	Last stage diffuser	152803010	
17	First stage box	152803302	Low NPSH stage
*21	OR	EPDM	KL02AA1
		FPM	KL02AA2
		FEP	KL02AA3
24	Motor flange	-	
25	Kit oval flange OR EPDM	-	
	Kit oval flange OR FPM	-	
30	Impellers retainer	KL41AAX	

* Recommended spare parts - Parti di ricambio consigliate

* Pièces détachées conseillées - Empfohlene Ersatzteile

** Motor spare parts: see motor lists - Parti di ricambio motore: vedi liste motore

** Pièces détachées Moteur : voir listes moteur - Motor-Ersatzteile: gem. Motorlisten

1-22SVFL_6_June12_EdB

SSVFL 2 Pole 60Hz

Production date > June 2012

ELP 2 P 60										
F Version	5SV03FL0116	5SV04FL0156	5SV05FL0156	5SV06FL0226	5SV07FL0226	5SV08FL0226	5SV09FL0306	5SV10FL0306	5SV11FL0306	5SV12FL0406
M ~ >	1016L655F	1016L656F	1016L657F	1016L658F	1016L659F	1016L660F	1016L661F			
T ~ >	1016LH31F	1016LH32F	1016LH33F	1016LH34F	1016L535F	1016L536F	1016L537F	1016L538F	1016L539F	1016L540F
	5SV13FL0406	5SV14FL0406	5SV15FL0406	5SV16FL0406	5SV17FL0556	5SV19FL0556	5SV21FL0556	5SV23FL0756		
M ~ >										
T ~ >	1016L541F	1016L542F	1016L543F	1016L544F	1016L545F	1016L547F	1016L549F	1016L551F		

Single Unit and Kit

10	Sleeve F-T	166443050	166443070	166443090	166443110	166443130	166443150	166443170	166443190	166443210	166443230
		166443250	166443270	166443290	166443310	166443330	166443370	166443410	166443450		
11	Shaft A304	165050050	165050070	165050090	165050110	165050130	165050150	165050170	165050190	165050210	165050230
		165050250	165050270	165050290	165050310	165050330	165050370	165050410	165050450		
31	Tie rods SVF kit	KL22AL8	KL22AK7	KL22AL9	KL22AMA	KL22AMB	KL22ALC	KL22AMC	KL22AMD	KL22AME	KL22ALH
		KL22AMF	KL22AMG	KL22AMH	KL22AMK	KL22AMT	KL22AMU	KL22AMM	KL22AMN		

Motor, Coupling, Motor adaptor

Motor power	1,1	1,5	1,5	2,2	2,2	2,2	3,0	3,0	3,0	4,0
kW >	4,0	4,0	4,0	4,0	5,5	5,5	5,5	5,5	5,5	

**1	kW >	1,1	1,5	2,2	3,0	4,0	5,5	7,5
	Motor 2P, 1 ~	107231120	107231140	50004FD00				
	Motor 2P, 3 ~	107234011	107234021	50001PD00	50002PF00	50008PG00	50013PE00	50017PB00
2	Adaptor	161470720	161470740	161470740	161470760	161470760	161470760	161470860
23	Lifting bracket	-	-	-	-	-	161441050	161441050
26	Coupling	KL10ABD	KL10ABE	KL10ABE	KL10ABF	KL10ABK	KL10ABL	KL10ABZ
27	Coupling guard	KL33AAN	KL33AAP	KL33AAP	KL33AAQ	KL33AAQ	KL33AAQ	KL33AAU

Wear Parts kit

up to model (- >)

	- > 5SV08	- > 5SV16	- > 5SV22	- > 5SV28		
	1 bearing	2 bearing	3 bearing	4 bearing		
*34	Wear parts	KL35AEL	KL35AEM	KL35AEN	KL35AEP	
	First spacer 5SV A316	162503912	162503912	162503912	162503912	Low NPSH spacer

Mechanical seal Kit : Mech seal D12 + sleeve OR

*20A	Materials ->	Q1BEGG	KL01AAD	Std -> Seal Q1BEGG - OR EPDM
		Q1QIEGG	KL01AC7	
		Q1BVGG	KL01AAG	
		Q1QIVGG	KL01AC9	
		Q1CTGG	KL01ADB	
		Q1QITGG	KL01ADD	

Common, Single Unit and kit

3	Base	161431310	-> 1-3-5SVF-R
4	Plugs	EPDM FPM FEP	KL34AAT KL34AAL KL34AAM
5	Upper holder	-	
*9	Impeller 5SV A304	150703620	
	First impeller 5SV A316	150703712	Low NPSH impeller
13	Seal housing disc	150102920	
14	Pump body	151302400	-> 5SVF
15	Diffuser	152803120	
16	Last stage diffuser	152803020	
17	First stage box	152803312	Low NPSH stage
*21	OR	EPDM FPM FEP	KL02AA1 KL02AA2 KL02AA3
24	Motor flange	161050700	1-3-5SV 5,5 kW
25	Kit oval flange OR EPDM	-	
	Kit oval flange OR FPM	-	
30	Impellers retainer	KL41AAX	

* Recommended spare parts - Parti di ricambio consigliate

* Pièces détachées conseillées - Empfohlene Ersatzteile

** Motor spare parts: see motor lists - Parti di ricambio motore: vedi liste motore

** Pièces détachées Moteur : voir listes moteur - Motor-Ersatzteile: gem. Motorlisten

1-22SVFL_6_June12_EdB

10SVFL 2 Pole 60Hz

ELP 2P 60		10SV03FL030	10SV04FL030	10SV05FL040	10SV06FL055	10SV07FL055	10SV08FL055	10SV09FL075	10SV10FL075	10SV11FL075	10SV13FL110
F Version	M->	1016L668F									
	T->	1016L558F	1016L559F	1016L560F	1016L561F	1016L562F	1016L563F	1016L564F	1016L565F	1016L566F	1016L568F
		10SV15FL1106									
M->											
	T->	1016L570F									

Single Unit and Kit

10	Sleeve F-T	166444030	166444040	166444060	166444070	166444080	166444100	166444110	166444120	166444140	166444160
		166444190									
11	Shaft A304	165051030	165051040	165051060	165051070	165051080	165051100	165051110	165051120	165051140	165051160B
		165051190B									
31	Tie rods SVF K	KL22AB4	KL22AM4	KL22AM6	KL22AM7	KL22AM8	KL22ANA	KL22AB9	KL22ANC	KL22ANE	KL22ANG
		KL22ANL									

Motor, Coupling, Motor Adaptor

Motor power kW >	3,0	3,0	4,0	5,5	5,5	5,5	7,5	7,5	7,5	11,0
	11,0									

**1	kW ->	3,0	4,0	5,5	7,5	11,0
	Motor 2 P, 1~>					
	Motor 2 P, 3~>	50002PF00	50008PG00	50013PE00	50017PB00	50019PE00
2	Adaptor	161470840	161470840	161470860	161470860	161470880
23	Lifting bracket	-	-	161441050	161441050	161441060
26	Coupling	KL10ABK	KL10ABK	KL10ABZ	KL10ABZ	KL10AB0
27	Coupling guard	KL33AAT	KL33AAT	KL33AAU	KL33AAU	KL33AAU

Wear Parts Kit

up to model (->)	->10SV09	->10SV16		
	1 bearing	2 bearing		
*34 Wear parts	KL35AER	KL35AES		
	First spacer 10SV A316	162503922	162503922	Low NPSH spacer
	Impeller spacer 10SV A316	162503952	162503952	Low NPSH spacer

Mechanical seal Kit : Mech seal D16 + OR

*20	Materials->	Q1BEGG	KL01AAE	Std -> Seal Q1BEGG - sleeve OR EPDM / Unbalanced : 10-15-22SV < / = 4 kW
		Q1Q1EGG	KL01AC8	
		Q1BVGG	KL01AAH	
		Q1Q1VGG	KL01ADA	
		Q1CTGG	KL01ADC	
		Q1Q1TGG	KL01ADE	
*20	Materials->	Q1BEGG	KL01AD7	Std -> Seal Q1BEGG - upper holder OR EPDM / Balanced : 10-15-22SV = / > 5,5 kW
		Q1Q1EGG	KL01AD3	
		Q1BVGG	KL01AD2	
		Q1Q1VGG	KL01AD4	
		Q1CTGG	KL01AD9	
		Q1Q1TGG	KL01AEA	

Common, Single Unit and Kit

3	Base	161431330	-> 10SV
4	Plugs	EPDM	KL34AAT
		FPM	KL34AAL
		FEP	KL34AAM
5	Upper holder	-	Up to 4,0 kW included
		160103710	Over 5,5 kW
		160103730	Part holed for tap
*9	Impeller 10 SV A304	150703630	
	First impeller 15SV A316	150703642	
13	Seal housing disc	150102940	Up to 4,0 kW included
		150102960	Over 5,5 kW
14	Pump body	151302450	
15	Diffuser	152803130	
16	Last stage diffuser	152803030	
17	First stage box	152803322	Low NPSH stage
*21	OR	EPDM	KL02AA4
		FPM	KL02AA5
		FEP	KL02AA6
24	Motor flange	-	
25	Kit oval flange OR EPDM	-	
		-	
30	Impellers retainer	KL41AAY	Unbalanced : 10-15-22SV < / = 4 kW
30	Bush seal kit	KL41AA1	Balanced : 10-15-22SV = / > 5,5 kW

* Recommended spare parts - Parti di ricambio consigliate

* Pièces détachées conseillées - Emprohylene Ersatzteile

** Motor spare parts: see motor lists - Parti di ricambio motore: vedi liste motore

** Pièces détachées Moteur : voir listes moteur - Motor-Ersatzteile: gem. Motorlisten

15SVFL 2 Pole 60Hz

ELP 2P 60		15SV02FL040	15SV03FL055	15SV04FL075	15SV05FL110	15SV06FL110	15SV07FL110	15SV08FL150	15SV09FL150	15SV10FL150	15SV11FL185	
F Version	M ->	1016L576F	1016L577F	1016L578F	1016L579F	1016L580F	1016L581F	1016L582F	1016L583F	1016L584F	1016L585F	
	T ->											
		15SV12FL1856										
M ->	M ->											
	T ->	1016L586F										

Single Unit and Kit

10	Sleeve F - T	166444030	166444050	166444070	166444090	166444110	166444130	166444150	166444170	166444190	166444210
		166444230									
11	Shaft A304	165051030	165051050	165051070	165051090	165051110B	165051130B	165051150B	165051170B	165051190B	165051210B
		165051230B									
31	Tie rods SVF K	KL22AB4	KL22AM5	KL22AM7	KL22AM9	KL22AB9	KL22AND	KL22ANF	KL22ANH	KL22ANL	KL22ANN
		KL22ANQ									

Motor, Coupling, Motor Adaptor

Motor power	4,0	5,5	7,5	11,0	11,0	11,0	15,0	15,0	15,0	18,5
kW >	18,5									

**1	kW ->	4,0	5,5	7,5	11,0	15,0	18,5
	Motor 2 P, 1 ->						
	Motor 2 P, 3 ->	50008PG00	50013PE00	50017PB00	50019PE00	50024PB00	50025PB00
2	Adaptor	161470840	161470860	161470860	161470880	161470880	161470880
23	Lifting bracket	-	161441050	161441050	161441060	161441060	161441060
26	Coupling	KL10ABK	KL10ABZ	KL10ABZ	KL10AB0	KL10AB0	KL10AB0
27	Coupling guard	KL33AAT	KL33AAU	KL33AAU	KL33AAU	KL33AAU	KL33AAU

Wear Parts Kit

up to model (->)	->15SV06	->15SV11	->15SV17		
	1 bearing	2 bearing	3 bearing		
*34	Wear parts	KL35AEU	KL35AEV	KL35AEW	
	First spacer 15-22SV A316	162503932	162503932	162503932	Low NPSH spacer
	Impeller spacer 15-22SV A316	162503962	162503962	162503962	Low NPSH spacer
	Impeller screw A316	002617895	002617895	002617895	Screw M10X30 A4-70 Hex

Mechanical seal Kit : Mech seal D16 + OR

*20A	Materials->	Q1BEGG	KL01AAE	Std -> Seal Q1BEGG - sleeve OR EPDM / Unbalanced : 10-15-22SV < / = 4 kW
		Q1Q1EGG	KL01AC8	
		Q1BVGG	KL01AAH	
		Q1Q1VGG	KL01ADA	
		Q1CTGG	KL01ADC	
		Q1Q1TGG	KL01ADE	
*20	Materials->	Q1BEGG	KL01AD7	Std -> Seal Q1BEGG - upper holder OR EPDM / Balanced : 10-15-22SV = / > 5,5 kW
		Q1Q1EGG	KL01AD3	
		Q1BVGG	KL01AD2	
		Q1Q1VGG	KL01AD4	
		Q1CTGG	KL01AD9	
		Q1Q1TGG	KL01AEA	

Common, Single Unit and Kit

3	Base		161431350	-> 15-22SV
4	Plugs	EPDM	KL34AAT	
		FPM	KL34AAL	
		FEP	KL34AAM	
5	Upper holder		-	Up to 4,0 kW included
			160103710	Over 5,5 kW
			160103730	Part holed for tap
*9	Impeller 15SV A304		150703640	
	First impeller 15SV A316		150703642	
13	Seal housing disc		150102940	Up to 4,0 kW included
			150102960	Over 5,5 kW
14	Pump body		151302600	
15	Diffuser		152803150	
16	Last stage diffuser		152803050	
17	First stage box		152803332	Low NPSH stage
*21	OR	EPDM	KL02AA4	
		FPM	KL02AA5	
		FEP	KL02AA6	
24	Motor flange		-	
25	Kit oval flange OR EPDM		-	
	Kit oval flange OR FPM		-	
30	Impellers retainer		KL41AAY	Unbalanced : 10-15-22SV < / = 4 kW
30	Bush seal kit		KL41AA1	Balanced : 10-15-22SV = / > 5,5 kW

* Recommended spare parts - Parti di ricambio consigliate

** Pièces détachées conseillées - Empfohlene Ersatzteile

** Motor spare parts: see motor lists - Parti di ricambio motore: vedi liste motore

** Pièces détachées Moteur : voir listes moteur - Motor-Ersatzteile: gem. Motorlisten

1-22SVFL 6 June12_EdB

22SVFL 2 Pole 60Hz

ELP 2P 60	22SV02FL0556	22SV03FL075	22SV04FL110	22SV05FL110	22SV06FL150	22SV07FL150	22SV08FL150	22SV09FL185	22SV10FL2206
F Version									
M ~>									
T ~>	1016L592F	1016L593F	1016L594F	1016L595F	1016L596F	1016L597F	1016L598F	1016L599F	1016L600F

Single Unit and Kit

10	Sleeve F-T	166444030	166444050	166444070	166444090	166444110	166444130	166444150	166444170	166444190
11	Shaft A304	165051030	165051050	165051070	165051090B	16505110B	165051130B	165051150B	165051170B	165051190B
31	Tie rods SVF	KL22AB4	KL22AM5	KL22AM7	KL22AM9	KL22AB9	KL22AND	KL22ANF	KL22ANH	KL22ANL

Motor, Coupling, Motor Adaptor

Motor power kW >	5,5	7,5	11,0	11,0	15,0	15,0	15,0	18,5	22,0
------------------	-----	-----	------	------	------	------	------	------	------

**1	kW ->	4,0	5,5	7,5	11,0	15,0	18,5	22,0
	Motor 2 P, 1~>							
	Motor 2 P, 3~>	50008RG00	50013RE00	50017RB00	50019RE00	50024RB00	50025RB00	50026PE00
2	Adaptor	161470840	161470860	161470860	161470880	161470880	161470880	161453660
23	Lifting bracket	-	161441050	161441050	161441060	161441060	161441060	161441060
26	Coupling	KL10ABK	KL10ABZ	KL10ABZ	KL10AB0	KL10AB0	KL10AB0	KL10AAE
27	Coupling guard	KL33AAU	KL33AAU	KL33AAU	KL33AAU	KL33AAU	KL33AAU	KL33AAC

Wear Parts Kit

	->22SV06	->22SV11		
up to model (->)	1 bearing	2 bearing		
*34 Wear parts	KL35AEU	KL35AEV		
	First spacer 15-22SV A316	162503932	162503932	Low NPSH spacer
	Impeller spacer 15-22SV A316	162503962	162503962	Low NPSH spacer
	Impeller screw A316	002617895	002617895	Screw M10X30 A4-70 Hex

Mechanical seal Kit : Mech seal D16 + OR

*20	Materials->	Q1BEGG	KL01AAE	Std -> Seal Q1BEGG - sleeve OR EPDM / Unbalanced : 10-15-22SV < / = 4 kW
		Q1Q1EGG	KL01AC8	
		Q1BVGG	KL01AAH	
		Q1Q1VGG	KL01ADA	
		Q1CTGG	KL01ADC	
		Q1Q1TGG	KL01ADE	
*20	Materials->	Q1BEGG	KL01AD7	Std -> Seal Q1BEGG - upper holder OR EPDM / Balanced : 10-15-22SV = / > 5,5 kW
		Q1Q1EGG	KL01AD3	
		Q1BVGG	KL01AD2	
		Q1Q1VGG	KL01AD4	
		Q1CTGG	KL01AD9	
		Q1Q1TGG	KL01AEA	

Common, Single Unit and Kit

3	Base	161431350	-> 15-22SV
4	Plugs	EPDM	KL34AAT
		FPM	KL34AAL
		FEP	KL34AAM
5	Upper holder	-	Up to 4,0 kW included
		160103710	Over 5,5 kW
		160103730	Part holed for tap
*9	Impeller 22SV A304	150703650	
	First impeller 15-22SV A316	150703722	Low NPSH impeller
13	Seal housing disc	150102940	Up to 4,0 kW included
		150102960	Over 5,5 kW
14	Pump body	151302600	
15	Diffuser	152803150	
16	Last stage diffuser	152803050	
17	First stage box	152803332	Low NPSH stage
*21	OR	EPDM	KL02AA4
		FPM	KL02AA5
		FEP	KL02AA6
24	Motor flange	-	
25	Kit oval flange OR EPDM	-	
	Kit oval flange OR FPM	-	
30	Impellers retainer	KL41AA1	Unbalanced : 10-15-22SV < / = 4 kW
30	Bush seal kit	KL41AA1	Balanced : 10-15-22SV = / > 5,5 kW

* Recommended spare parts - Parti di ricambio consigliate

* Pièces détachées conseillées - Empfohlene Ersatzteile

** Motor spare parts: see motor lists - Parti di ricambio motore: vedi liste motore

** Pièces détachées Moteur : voir listes moteur - Motor-Ersatzteile: gem. Motorlisten