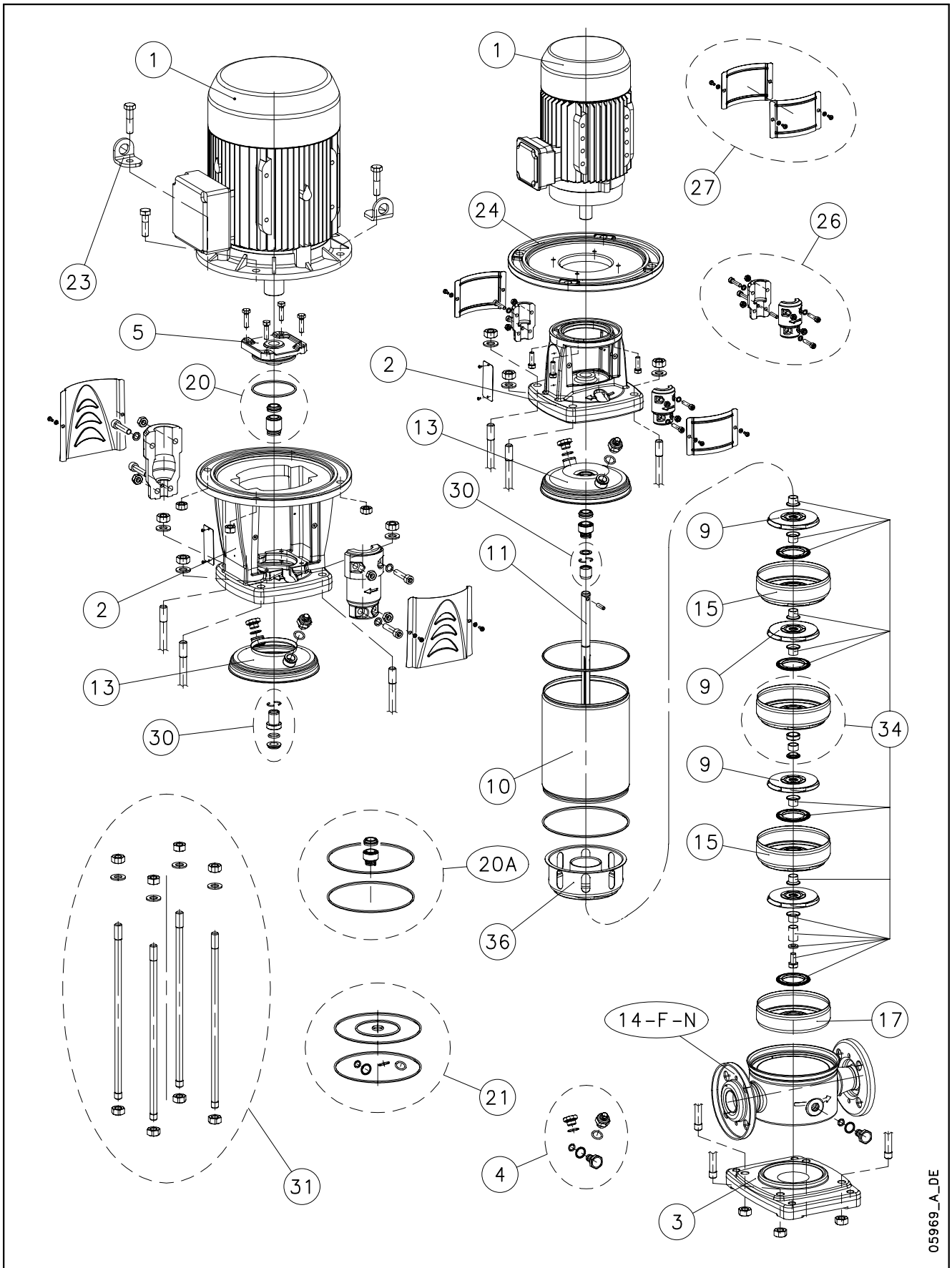


## 1, 3, 5, 10, 15, 22 SV.H (150°C)



05969\_A\_DE

Lowara, Vogel Pumpen are trademarks of Xylem Inc. or one of its subsidiaries. Goulds is a registered trademark of Goulds Pumps, Inc. and is used under license.

N.	Descrizione It	Description en	Description fr	Beschreibung de	Descripción es	Descrição pt
	1-22SV..H (150 °C)					
1	Motore	Motor	Moteur	Motor	Motor	Motor
2	Lanterna	Adaptor	Lanterne	Motorlaterne	Adaptador	Adaptador
3	Base	Basement	Base	Untersatz	Base	Base
4	Tappi	Plugs	Bouchons	Stopfen	Tapones	Tampões
5	Portatenuta superiore	Upper holder	Disque supérieure	Oberer dichtungsdeckel	Disco superior	Disco superior
9	Girante	Impeller	Roue	Laufrad	Rodete	Impulsor
10	Camicia	Sleeve	Chemise	Gehäuse	Camisa	Camisa
11	Albero	Shaft	Arbre	Welle	Árbol	Veio
13	Disco porta tenuta	Seal housing disc	Disque de garniture	Dichtungssdeckel	Disco de alojamiento sello	Disco porta-vedante
14	Corpo pompa	Pump body	Corps de pompe	Pumpengehäuse	Caja bomba	Corpo da bomba
15	Diffusore	Diffuser	Diffuseur	Diffusor	Difusor	Difusor
17	Scatola stadio iniziale	Initial stage box	Box premier étage	Erste Stufe Diffusor	Caja etapa inicial	Carcaça primeira célula
20 - 20A	Kit tenuta mecc. + OR	Mechanical seal + OR kit	Kit garniture mec. + joints toriques	Gleitringdichtung + O-Ring [Satz]	Kit sello mec. + junta tórica	Kit vedante mec. + OR
21	Kit guarnizioni OR	O ring kit	Kit joints toriques	Dichtungssatz	Kit juntas tóricas	Kit guarnições OR
23	Staffa sollevamento	Lifting bracket	Support de levage	Hebeösen	Soporte de elevación	Suporte de suspensão
24	Flangia motore	Motor flange	Bride moteur	Motorflansch	Brida motor	Flange motor
26	Kit coppia di semigiunti	Pair of half coupling kit	Kit paire de demi-manchons	Kupplung [Satz]	Kit par de semijuntas	Kit par de semi-juntas
27	Kit protezione giunto	Coupling guard kit	Kit protection manchon	Kupplungsschutz [Satz]	Kit protección junta	Kit protecção junta
30	Kit bussola tenuta	Bush seal kit	Kit douille garniture	Gleitringdichtungsarretierung und mitnehmer	Kit casquillo sello	kit bucha vedante
31	Kit tiranti	Tie rods kit	Kit tirants	Zugstangen [Satz]	Kit tirantes	Kit tirantes
34	Kit parti di usura	Wear parts kit	Kit parties d'usure	Verschleißteile [Satz]	Kit piezas de desgaste	Kit peças desgastáveis
36	Diffusore finale HT	Final diffuser HT	Diffuseur dernier étage HT	Enddiffusor HT	Difusor final HT	Difusor final HT
HT	Alta Temperatura	High Temperature	Haute Température	Hochtemperatur	Altas Temperaturas	Temperatura Elevada
N.	Beschrijving nl	Περιγραφή el	Açıklama tr	Kuvaus fi	Описание ru	Opis pl
	1-22SV..H (150 °C)					
1	Motor	Πλήρης κινητήρας	Motor	Moottori	Двигатель	Silnik
2	Lantaarnstuk	Μπρακέτο	Adaptör	Sovitin	Крестовина	Piasta
3	Pompvoet	Βάση	Kaide	Perusta	Основание	Podstawa
4	Pluggen	Σετ ταπών	Tapalar	Tulpat	Пробки	Zatyczki
5	Bovenste plaat	Ανώτερος Δίσκος	Üst disk	Ylempi levy	Верхний держатель дисков	Tarcza górna
9	Waaier	στροφέιο	Pompa rotoru	Juoksupyöriä	рабочее колесо	Wirnik
10	Mantel	Κέλυφος	Gömlek	Muhvi	Муфта	Plaszcz
11	As	Άξονας	Mil	Akseli	Вал	Wal
13	Dichtingssteunplaat	Δίσκος μηχανικού στυπιοθλίπτη	Sızdırmazlık elemanı disk	Tiivisteenn kannatuslevy	Пластина держателя прокладки	Tarcza uszczelki
14	Pomphuis	Σώμα αντλίας	Pompa gövdesi	Pumpun runko	Корпус насоса	Korpus pompy
15	Diffusor	Πτερύγιο εκτροπής	Difüzör	Diffusori	Диффузор	Dyfuzor
17	Kast eerste trap	Πρώτο πτερύγιο εκτροπής	İlk kademe kutusu	Ensivaiheen laatikko	Коробка начальной стадии	Skrzynka początkowego stadium
20-20A	Set mech. asafdichting + O-ring	Μηχανικός στυπιοθλίπτης και ροδέλες στεγανοποίησης	Mekanik salmastra kiti + O-Ring	Mek. tiiviste + O-rengassarja	Комплект мех.прокладки + OR	Zestaw uszcz. mech. + OR
21	Set O-ringafdichtingen	Σετ ροδέλες στεγανοποίησης	O-Ring kiti	O-rengassarja	Комплект кольцевых прокладок OR	Zestaw uszczelki OR
23	Hijs steun	Άρση αγκύλη	Dirsek Kaldırma	Nosto ylätuki	Подъемные кронштейн	Podnoszenia wspornik
24	Motorflens	Μπρακέτο κινητήρα	Motor flanşı	Moottorin laippa	Фланец двигателя	Końierz silnika
26	Set koppelingshelften	Σετ σταθερού συνδέσμου	Çift yarım manşon kiti	Liitinsarja	Комплект пары полумуфт	Zestaw pary półzłączy
27	Set koppelingsbescherming	Καλύμματα προστασίας σταθερού συνδέσμου	Manşon koruma kiti	Liitoksen suojuussarja	Комплект защиты муфт	Zestaw ochrony złączy
30	Set afdichtingsbus	Σετ κουζινέτου μηχανικού στυπιοθλίπτη	Sızdırmazlık elemanı burcu kiti	Holkki ja tiiviste	Комплект втулки уплотнения	Zestaw busoli uszczel.
31	Set trekstangen	Σετ ράβδων σύνδεσης	Gergi çubuğu kiti	Vetotankosarja	Комплект тяг	Zestaw napinaczy
34	Set slijtonderdelen	Σετ δακτυλίων τριβής	Aşınma parçaları kiti	Kulumisiosien sarja	Комплект изнашиваемых частей	Zestaw części podl. zużyciu
36	Diffusor laatste trap HT	Τελευταίο πτερύγιο εκτροπής HT	Son difüzör HT	Loppuvaiheen diffusori HT	Конечный диффузор HT	Dyfuzor końcowy HT
HT	Hoge Temperaturen	Υψηλής θερμοκρασίας	Yüksek isi	Korkea lämpötila	Высокая температура	Wysokiej Temperatury

## 1SV FH 2 Pole 60Hz (1SVFH/D: motors IE3 fitted)

Production date > June 2012

ELP 2 P 60Hz										
F Version	1SV02FH0036	1SV03FH0036	1SV04FH0036	1SV05FH0056	1SV06FH0056	1SV07FH0076	1SV08FH0076	1SV09FH0076	1SV10FH0116	1SV11FH0116
M ~>	1016L606H	1016L607H	1016L608H	1016L609H	1016L610H	1016L611H	1016L612H	1016L613H	1016L614H	1016L615H
T(IE1-IE2) ~>	1016L471H	1016L472H	1016L473H	1016L474H	1016L475H	1016L476H	1016L477H	1016L478H	1016L479H	1016L480H
T(IE1-IE3) ~>	1016L471H	1016L472H	1016L473H	1016L474H	1016L475H	1016LG76H	1016LG77H	1016LG78H	1016LG79H	1016LG80H
M ~>	1016L616H	1016L617H	1016L619H	1016L621H	1016L622H	1016L624H	1016L626H	1016L628H	1016L630H	
T(IE2) ~>	1016L481H	1016L482H	1016L484H	1016L486H	1016L487H	1016L489H	1016L491H	1016L493H	1016L495H	
	1016L481H	1016L482H	1016LA83H	1016LA85H	1016LA86H	1016LA88H	1016LA90H	1016LA92H	1016LA94H	
T(IE3) ~>	1016LG81H	1016LG82H	1016LG84H	1016LG86H	1016LG87H	1016LG89H	1016LG91H	1016LG93H	1016LG95H	

### Single Unit and Kit

10	Sleeve F-T	166443060	166443060	166443070	166443080	166443100	166443120	166443140	166443150	166443160	166443180
		166443200	166443220	166443240	166443280	166443300	166443320	166443360	166443390	166443420	
11	Shaft A304	165050060B	165050060B	165050070B	165050080B	165050100B	165050120B	165050140B	165050150B	165050160B	165050180B
		165050200B	165050220B	165050240B	165050280B	165050300B	165050320B	165050360B	165050390B	165050420B	
31	Tie rods SVF kit	KL22AK6	KL22AK6	KL22AK7	KL22AK8	KL22AK9	KL22ABP	KL22ALB	KL22ALC	KL22ALD	KL22ALE
		KL22ABT	KL22ALG	KL22ALK	KL22ABW	KL22ALM	KL22ALN	KL22ALQ	KL22ALR	KL22ALS	

### Motor, Coupling, Motor adaptor

Motor power kW >	0,37	0,37	0,37	0,55	0,55	0,75	0,75	0,75	1,1	1,1
	1,1	1,1	1,5	1,5	2,2	2,2	2,2	2,2	2,2	2,2

**1	kW >	0,37	0,55	0,75	1,1	1,5	2,2
	Motor 2P, 1 ~>	107231020	107231040	107231100	107231120	107231140	50004FD00
	Motor 2P,3~, IE2 since 0,75kW >	107230060	107230080	107230153	107230503	50000PD00	50001PD00
		107230060	107230080	107230153	107230503	107240010	107240510
	Motor 2P,3~, IE3 since 0,75kW >	107230060	107230080	107234001	107234011	107234011	50A01PD00
2	Adaptor	161470700	161470700	161470720	161470720	161470740	161470740
23	Lifting bracket	-	-	-	-	-	-
26	Coupling	KL10ABC	KL10ABC	KL10ABD	KL10ABD	KL10ABE	KL10ABE
27	Coupling guard	KL33AAM	KL33AAM	KL33AAN	KL33AAN	KL33AAP	KL33AAP

### Wear Parts kit

up to model (->)	-> 1SV10	-> 1SV20	-> 1SV27
	1 bearing	2 bearing	3 bearing
*34 Wear parts	KL35AEE	KL35AEF	KL35AEG

### Mech seal Kit : Seal + sleeve OR

*20A	Materials ->	Q1AEGG	KL01AES	Mech seal std Balanced HT D12 + OR HT
		Q1AVGG	KL01AET	
		Q1Q1VGG	KL01AED	

### Common, Single Unit and kit

3	Base	161431310	-> 1-3-5SVF
4	Plugs	EPDM HT	KL34AAX
		FPM	KL34AAL
5	Upper holder	-	
*9	Impeller 1SV A304	150703600	
13	Seal housing disc	150102920	
14	Pump body	151302320	-> 1-3SVF
15	Diffuser	152803110	
17	First stage box	152802910	
*21	OR	EPDM HT	KL02AB5
		FPM	KL02AA2
24	Motor flange	-	
30	Bush seal kit EPDM HT	KL41AA4	
	Bush seal kit FPM	KL41AA5	
36	Final diffuser HT	152803352	

\* Recommended spare parts - Parti di ricambio consigliate

\* Pièces détachées conseillées - Empfohlene Ersatzteile

\*\* Motor spare parts: see motor lists - Parti di ricambio motore: vedi liste motore

\*\* Pièces détachées Moteur : voir listes moteur - Motor-Ersatzteile: gem. Motorlisten

1-22SVFH\_6\_June12\_EDC

## 3SV FH 2 Pole 60Hz (3SVFH/D: motors IE3 fitted)

ELP 2 P 60Hz										
<b>F Version</b>	<b>3SV02FH0036</b>	<b>3SV03FH0056</b>	<b>3SV04FH0076</b>	<b>3SV05FH0116</b>	<b>3SV06FH0116</b>	<b>3SV07FH0116</b>	<b>3SV08FH0156</b>	<b>3SV09FH0156</b>	<b>3SV10FH0226</b>	<b>3SV11FH0226</b>
M ~>	1016L636H	1016L637H	1016L638H	1016L639H	1016L640H	1016L641H	1016L642H	1016L643H	1016L644H	1016L645H
T(IE1-IE2) ~>	1016L503H	1016L504H	1016L505H	1016L506H	1016L507H	1016L508H	1016L509H	1016L510H	1016L511H	1016L512H
T(IE1-IE3) ~>	1016L503H	1016L504H	1016LH05H	1016LH06H	1016LH07H	1016LH08H	1016LH09H	1016LH10H	1016LH11H	1016LH12H
	<b>3SV12FH0226</b>	<b>3SV13FH0226</b>	<b>3SV14FH0226</b>	<b>3SV15FH0306</b>	<b>3SV17FH0306</b>	<b>3SV19FH0306</b>	<b>3SV21FH0406</b>			
M ~>	1016L646H	1016L647H	1016L648H							
T(IE2) ~>	1016L513H	1016L514H	1016L515H	1016L516H	1016L518H	1016L520H	1016L522H			
	1016LB06H	1016LB07H	1016LB08H	1016LB09H	1016LB11H	1016LB13H	1016L522H			
T(IE3) ~>	1016LH13H	1016LH14H	1016LH15H	1016LH16H	1016LH18H	1016LH20H	1016LH22H			

### Single Unit and Kit

10	Sleeve A304	166443060	166443060	166443070	166443080	166443100	166443120	166443140	166443150	166443160	166443180
		166443200	166443220	166443230	166443240	166443280	166443310	166443340			
11	Shaft A304	165050060B	165050060B	165050070B	165050080B	165050100B	165050120B	165050140B	165050150B	165050160B	165050180B
		165050200B	165050220B	165050230B	165050240B	165050280B	165050310B	165050340B			
31	Tie rods SVF kit	KL22AK6	KL22AK6	KL22AK7	KL22AK8	KL22AK9	KL22ABP	KL22ALB	KL22ALC	KL22ALD	KL22ALE
		KL22ABT	KL22ALG	KL22ALH	KL22ALK	KL22ABW	KL22AMK	KL22ALP			

### Motor, Coupling, Motor adaptor

Motor power kW >	0,37	0,55	0,75	1,1	1,1	1,1	1,5	1,5	2,2	2,2
	2,2	2,2	2,2	3,0	3,0	3,0	4,0			

**1	kW >	0,37	0,55	0,75	1,1	1,5	2,2	3,0	4,0
	Motor 2P, 1 ~>	107231020	107231040	107231100	107231120	107231140	50004FD00		
	Motor 2P, 3~, IE2 since 0,75kW	107230060	107230080	107230153	107230503	50000PD00	50001PD00	50002PF00	50008PG00
		107230060	107230080	107230153	107230503	107240010	107240510	107241010	50008PG00
	Motor 2P, 3~, IE3 since 0,75kW	107230060	107230080	<b>107234001</b>	107234011	107234011	50A01PD00	50A02PF00	50A08PL00
2	Adaptor	161470700	161470700	161470720	161470720	161470740	161470740	161470760	161470760
23	Lifting bracket	-	-	-	-	-	-	-	-
26	Coupling	KL10ABC	KL10ABC	KL10ABD	KL10ABD	KL10ABE	KL10ABE	KL10ABF	KL10ABK
27	Coupling guard	KL33AAM	KL33AAM	KL33AAN	KL33AAN	KL33AAP	KL33AAP	KL33AAQ	KL33AAQ

### Wear Parts kit

up to model (->)	-> 3SV10	-> 3SV20	-> 3SV27	
*34	Wear parts	KL35AEE	KL35AEF	KL35AEG

### Mech seal Kit : Seal + sleeve OR

*20A	Materials ->	<b>Q1AEGG</b>	KL01AES	Mech seal std Balanced HT D12 + OR HT
		<b>Q1AVGG</b>	KL01AET	
		<b>Q1Q1VGG</b>	KL01AED	

### Common, Single Unit and kit

3	Base	161431310	-> 1-3-5SVF-R
4	Plugs	EPDM HT FPM	KL34AAX KL34AAL
5	Upper holder	-	
*9	Impeller 3SV A304	150703610	
13	Seal housing disc	150102920	
14	Pump body	151302320	
15	Diffuser	152803110	
17	First stage box	152802910	
*21	OR	EPDM HT FPM	KL02AB5 KL02AA2
24	Motor flange	-	
30	Bush seal kit EPDM	KL41AA4	
	Bush seal kit FPM	KL41AA5	
36	Final diffuser HT	152803352	

\* Recommended spare parts - Parti di ricambio consigliate

\* Pièces détachées conseillées - Empfohlene Ersatzteile

\*\* Motor spare parts: see motor lists - Parti di ricambio motore: vedi liste motore

\*\* Pièces détachées Moteur : voir listes moteur - Motor-Ersatzteile: gem. Motorlisten

1-22SVFH\_6\_June12\_EdC

## 5SV FH 2 Pole 60Hz (5SVFH/D: motors IE3 fitted)

ELP 2 P 60Hz										
F Version	5SV02FH0056	5SV03FH0076	5SV04FH0116	5SV05FH0156	5SV06FH0156	5SV07FH0226	5SV08FH0226	5SV09FH0226	5SV10FH0306	5SV11FH0306
M ~>	1016L654H	1016L655H	1016L656H	1016L657H	1016L658H	1016L659H	1016L660H	1016L661H		
T(IE1-IE2) ~>	1016L530H	1016L531H	1016L532H	1016L533H	1016L534H	1016L535H	1016L536H	1016L537H	1016L538H	1016L539H
T(IE1-IE3) ~>	1016L530H	1016L531H	1016L532H	1016L533H	1016L534H	1016L535H	1016L536H	1016L537H	1016L538H	1016L539H
M ~>	1016L530H	1016LH31H	1016LH32H	1016LH33H	1016LH34H	1016LH35H	1016LH36H	1016LH37H	1016LH38H	1016LH39H
T(IE2) ~>	5SV12FH0306	5SV13FH0406	5SV14FH0406	5SV15FH0406	5SV16FH0406	5SV17FH0556	5SV19FH0556	5SV21FH0556		
T(IE3) ~>	1016L540H	1016L541H	1016L542H	1016L543H	1016L544H	1016L545H	1016L547H	1016L549H		
	1016LB25H	1016L541H	1016L542H	1016L543H	1016L544H	1016L545H	1016L547H	1016L549H		
	1016LH40H	1016LH41H	1016LH42H	1016LH43H	1016LH44H	1016LH45H	1016LH47H	1016LH49H		

### Single Unit and Kit

10	Sleeve F-T	166443050	166443070	166443090	166443110	166443130	166443150	166443170	166443190	166443210	166443230
11	Shaft A304	165050050B	165050070B	165050090B	165050110B	165050130B	165050150B	165050170B	165050190B	165050210B	165050230B
31	Tie rods SVF kit	KL22AL8	KL22AK7	KL22AL9	KL22AMA	KL22AMB	KL22ALC	KL22AMC	KL22AMD	KL22AME	KL22ALH
		KL22AMF	KL22AMG	KL22AMH	KL22AMK	KL22AMT	KL22AML	KL22ALR	KL22AMV		

### Motor, Coupling, Motor adaptor

Motor power kW >	0,55	0,75	1,1	1,5	1,5	2,2	2,2	2,2	3,0	3,0
	3,0	4,0	4,0	4,0	4,0	5,5	5,5	5,5		

**1	kW >	0,55	0,75	1,1	1,5	2,2	3,0	4,0	5,5
	Motor 2P, 1 ~>	107231040	107231100	107231120	107231140	50004FD00			
	Motor 2P,3-, IE2 since 0,75kW	107230080	107230153	107230503	50000PD00	50001PD00	50002PF00	50008PG00	50013PE00
	Motor 2P,3-, IE3 since 0,75kW	107230080	107230153	107230503	107240010	107240510	107241010	50008PG00	50013PE00
	Motor 2P,3-, IE3 since 0,75kW	107230080	107234001	107234011	107234011	50A01PD00	50A02PF00	50A08PL00	50A13PE00
2	Adaptor	161470700	161470720	161470720	161470740	161470740	161470760	161470760	161470760
23	Lifting bracket	-	-	-	-	-	-	-	161441050
26	Coupling	KL10ABC	KL10ABD	KL10ABD	KL10ABE	KL10ABE	KL10ABF	KL10ABK	KL10ABL
27	Coupling guard	KL33AAM	KL33AAN	KL33AAN	KL33AAP	KL33AAP	KL33AAQ	KL33AAQ	KL33AAQ

### Wear Parts kit

up to model (->)	-> 5SV08	-> 5SV16	-> 5SV22	
*34	Wear parts	KL35AEL	KL35AEM	KL35AEN

### Mech seal Kit : Seal + sleeve OR

*20A	Materials ->	Q1AEGG	KL01AES	Mech seal std Balanced HT D12 + OR HT
		Q1AVGG	KL01AET	
		Q1Q1VGG	KL01AED	

### Common, Single Unit and kit

3	Base	161431310	-> 1-3-5SVF-R
4	Plugs	EPDM HT	KL34AAX
		FPM	KL34AAL
5	Upper holder	-	
*9	Impeller 5SV A304	150703620	
13	Seal housing disc	150102920	
14	Pump body	151302400	-> 5SVF
15	Diffuser	152803120	
17	First stage box	152802920	
*21	OR	EPDM HT	KL02AB5
		FPM	KL02AA2
24	Motor flange	161050700	1-3-5SV 5,5 kW
30	Bush seal kit EPDM	KL41AA4	
	Bush seal kit FPM	KL41AA5	
36	Final diffuser HT	152803352	

\* Recommended spare parts - Parti di ricambio consigliate

\* Pièces détachées conseillées - Empfohlene Ersatzteile

\*\* Motor spare parts: see motor lists - Parti di ricambio motore: vedi liste motore

\*\* Pièces détachées Moteur : voir listes moteur - Motor-Ersatzteile: gem. Motorlisten

## 10SV FH 2 Pole 60Hz (10SVFH/D: motors IE3 fitted)

ELP 2P 60Hz										
F Version	10SV01FH007	10SV02FH015	10SV03FH022	10SV04FH030	10SV05FH040	10SV06FH040	10SV07FH055	10SV08FH055	10SV09FH075	10SV10FH075
M->	1016L666H	1016L667H	1016L668H							
T(IE2) ~>	1016L556H	1016L557H	1016L558H	1016L559H	1016L560H	1016L561H	1016L562H	1016L563H	1016L564H	1016L565H
	1016L556H	1016LB30H	1016LB31H	1016LB32H	1016L560H	1016L561H	1016L562H	1016L563H	1016L564H	1016L565H
T(IE3) ~>	1016LH56H	1016LH57H	1016LH58H	1016LH59H	1016LH60H	1016LH61H	1016LH62H	1016LH63H	1016LH64H	1016LH65H
	10SV11FH075	10SV13FH1106								
M->										
T(IE2) ~>	1016L566H	1016L568H								
T(IE3) ~>	1016LH66H	1016LH68H								

### Single Unit and Kit

10	Sleeve F-T	166444020	166444020	166444030	166444040	166444060	166444070	166444080	166444100	166444110	166444120
		166444140	166444160								
11	Shaft A304	165051020B	165051020B	165051030B	165051040B	165051060B	165051070B	165051080B	165051100B	165051110B	165051120B
		165051140B	165051160B								
31	Tie rods SVF	KL22AM2	KL22AM2	KL22AB4	KL22AM4	KL22AM6	KL22AM7	KL22AM8	KL22ANA	KL22AB9	KL22ANC
		KL22ANE	KL22ANG								

### Motor, Coupling, Motor Adaptor

Motor power kW >	0,75	1,5	2,2	3,0	4,0	4,0	5,5	5,5	7,5	7,5
	7,5	11,0								

**1	kW >	0,75	1,5	2,2	3,0	4,0	5,5	7,5	11,0
	Motor 2P, 1 ~>	107231100	107231140	50004FD00					
	Motor 2P, 3~, IE2 since 0,75kW	107230153	50000PD00	50001PD00	50002PF00	50008PG00	50013PE00	50017PB00	50019PE00
		107230153	107240010	107240510	107241010	50008PG00	50013PE00	50017PB00	50019PE00
	Motor 2P, 3~, IE3 since 0,75kW	107234001	107234011	50A01PD00	50A02PF00	50A08PL00	50A13PE00	50A17PB00	50A19PE00
2	Adaptor	161470720	161470740	161470740	161470760	161470760	161470760	161470860	161470880
23	Lifting bracket	-	-	-	-	-	161441050	161441050	161441060
26	Coupling	KL10ABD	KL10ABE	KL10ABE	KL10ABF	KL10ABK	KL10ABL	KL10ABZ	KL10AB0
27	Coupling guard	KL33AAN	KL33AAP	KL33AAP	KL33AAQ	KL33AAQ	KL33AAQ	KL33AAU	KL33AAU

### Wear Parts Kit

	->10SV09	->10SV16
up to model (->)	1 bearing	2 bearing
*34 Wear parts	KL35AER	KL35AES

### Mechanical seal Kit : Mech seal D16 + OR

*20A	Materials->	Q1AEGG	KL01AEU	Std -> Seal Q1AEGG - sleeve OR EPDM HT / Balanced : 10-15-22SV < / = 4 kW
		Q1AVGG	KL01AEV	
		Q1Q1VGG	KL01AE4	
*20	Materials->	Q1AEGG	KL01AE5	Std -> Seal Q1AEGG - upper holder OR EPDM HT / Balanced : 10-15-22SV = / > 5,5 kW
		Q1AVGG	KL01AE6	
		Q1Q1VGG	KL01AD4	

### Common, Single Unit and Kit

3	Base	161431330	-> 10SV
4	Plugs	EPDM HT	KL34AAX
		FPM	KL34AAL
5	Upper holder	-	Up to 4,0 kW included
		160103710	Equal / Over 5,5 kW
		160103730	Part with hole for tap
*9	Impeller10 SV A304	150703630	
13	Seal housing disc	150102940	Up to 4,0 kW included
		150102960	Equal / Over 5,5 kW
14	Pump body	151302450	
15	Diffuser carbon bush	152803130	
17	First stage box	152802930	
*21	OR	EPDM HT	KL02AB6
		FPM	KL02AA5
24	Motor flange	-	
30	Bush seal kit EPDM HT	KL41AA6	
	Bush seal kit FPM	KL41AA7	
36	Final diffuser	152803362	

\* Recommended spare parts - Parti di ricambio consigliate

\* Pièces détachées conseillées - Empfohlene Ersatzteile

\*\* Motor spare parts: see motor lists - Parti di ricambio motore: vedi liste motore

\*\* Pièces détachées Moteur : voir listes moteur - Motor-Ersatzteile: gem. Motorlisten

1-22SVFH\_6\_June12\_EdC

## 15SV FH 2 Pole 60Hz (15SVFH/D: motors IE3 fitted)

ELP 2P 60Hz										
F Version	15SV01FH015	15SV02FH030	15SV03FH040	15SV04FH055	15SV05FH075	15SV06FH110	15SV07FH110	15SV08FH150	15SV09FH150	15SV10FH150
M->	1016L673H									
T(IE2) ~>	1016L575H	1016L576H	1016L577H	1016L578H	1016L579H	1016L580H	1016L581H	1016L582H	1016L583H	1016L584H
	1016LB37H	1016LB38H	1016L577H	1016L578H	1016L579H	1016L580H	1016L581H	1016L582H	1016L583H	1016L584H
T(IE3) ~>	1016LH75H	1016LH76H	1016LH77H	1016LH78H	1016LH79H	1016LH80H	1016LH81H	1016LH82H	1016LH83H	1016LH84H
	<b>15SV11FH1856</b>									
M->										
T(IE2) ~>	1016L585H									
T(IE3) ~>	1016LH85H									

### Single Unit and Kit

10	Sleeve F - T	166444030	166444030	166444050	166444070	166444090	166444110	166444130	166444150	166444170	166444190
		166444210									
11	Shaft A304	165051030B	165051030B	165051050B	165051070B	165051090B	165051110B	165051130B	165051150B	165051170B	165051190B
		165051210B									
31	Tie rods SVF K	KL22AB4	KL22AB4	KL22AM5	KL22AM7	KL22AM9	KL22AB9	KL22AND	KL22ANF	KL22ANH	KL22ANL
		KL22ANN									

### Motor, Coupling, Motor Adaptor

Motor power kW >	1,5	3,0	4,0	5,5	7,5	11,0	11,0	15,0	15,0	15,0
**1 kW >	1,5	3,0	4,0	5,5	7,5	11,0	11,0	15,0	15,0	18,5
Motor 2P, 1 ~>	107231140									
Motor 2P,3~, IE2 since 0,75kW	50000PD00	50002PF00	50008PG00	50013PE00	50017PB00	50019PE00	50019PE00	50024PB00	50025PB00	50025PB00
	107240010	107241010	50008PG00	50013PE00	50017PB00	50019PE00	50019PE00	50024PB00	50025PB00	50025PB00
Motor 2P,3~, IE3 since 0,75kW	107234011	50A02PF00	50A08PL00	50A13PE00	50A17PB00	50A19PE00	50A19PE00	50A24PB00	50A25PB00	50A25PB00
2 Adaptor	161470740	161470760	161470760	161470760	161470860	161470880	161470880	161470880	161470880	161470880
23 Lifting bracket	-	-	-	161441050	161441050	161441060	161441060	161441060	161441060	161441060
26 Coupling	KL10ABE	KL10ABF	KL10ABK	KL10ABL	KL10ABZ	KL10AB0	KL10AB0	KL10AB0	KL10AB0	KL10AB0
27 Coupling guard	KL33AAP	KL33AAQ	KL33AAQ	KL33AAQ	KL33AAU	KL33AAU	KL33AAU	KL33AAU	KL33AAU	KL33AAU

### Wear Parts Kit

	->15SV06	->15SV11
up to model (->)	1 bearing	2 bearing
*34 Wear parts	KL35AEU	KL35AEV

### Mechanical seal Kit : Mech seal D16 + OR

*20A	Materials->	<b>Q1AEGG</b>	KL01AEU	Std -> Seal Q1AEGG - sleeve OR EPDM HT / Balanced : 10-15-22SV < / = 4 kW
		<b>Q1AVGG</b>	KL01AEV	
		<b>Q1Q1VGG</b>	KL01AE4	
*20	Materials->	<b>Q1AEGG</b>	KL01AE5	Std -> Seal Q1AEGG - upper holder OR EPDM HT / Balanced : 10-15-22SV = / > 5,5 kW
		<b>Q1AVGG</b>	KL01AE6	
		<b>Q1Q1VGG</b>	KL01AD4	

### Common, Single Unit and Kit

3	Base	161431350	-> 15-22SV
4	Plugs	EPDM HT	KL34AAX
		FPM	KL34AAL
5	Upper holder	-	Up to 4,0 kW included
		160103710	Equal / Over 5,5 kW
		160103730	Part with hole for tap
*9	Impeller 15SV A304	150703640	
13	Seal housing disc	150102940	Up to 4,0 kW included
		150102960	Equal / Over 5,5 kW
14	Pump body	151302600	
15	Diffuser	152803150	
17	First stage box	152802950	
*21	OR	EPDM HT	KL02AB6
		FPM	KL02AA5
24	Motor flange	-	
30	Bush seal kit EPDM HT	KL41AA6	
	Bush seal kit FPM	KL41AA7	
36	Final diffuser	152803372	

\* Recommended spare parts - Parti di ricambio consigliate

\* Pièces détachées conseillées - Empfohlene Ersatzteile

\*\* Motor spare parts: see motor lists - Parti di ricambio motore: vedi liste motore

\*\* Pièces détachées Moteur : voir listes moteur - Motor-Ersatzteile: gem. Motorlisten

## 22SV FH 2 Pole 60Hz (22SVFH/D: motors IE3 fitted)

ELP 2P 60Hz										
F Version	22SV01FH022	22SV02FH040	22SV03FH055	22SV04FH075	22SV05FH110	22SV06FH110	22SV07FH150	22SV08FH150	22SV09FH185	22SV10FH185
M->	1016L678H									
T(IE2) ~>	1016L591H	1016L592H	1016L593H	1016L594H	1016L595H	1016L596H	1016L597H	1016L598H	1016L599H	1016L600H
	1016LB43H	1016L592H	1016L593H	1016L594H	1016L595H	1016L596H	1016L597H	1016L598H	1016L599H	1016L600H
T(IE3) ~>	1016LH91H	1016LH92H	1016LH93H	1016LH94H	1016LH95H	1016LH96H	1016LH97H	1016LH98H	1016LH99H	1016LJ00H

### Single Unit and Kit

10	Sleeve F-T	166444030	166444030	166444050	166444070	166444090	166444110	166444130	166444150	166444170	166444190
11	Shaft A304	165051030	165051030	165051050	165051070	165051090B	165051110B	165051130B	165051150B	165051170B	165051190B
31	Tie rods SVF K	KL22AB4	KL22AB4	KL22AM5	KL22AM7	KL22AM9	KL22AB9	KL22AND	KL22ANF	KL22ANH	KL22ANL

### Motor, Coupling, Motor Adaptor

Motor power kW >	2,2	4,0	5,5	7,5	11,0	11,0	15,0	15,0	18,5	18,5
------------------	-----	-----	-----	-----	------	------	------	------	------	------

**1	kW >	2,2	4,0	5,5	7,5	11,0	15,0	18,5		
	Motor 2P, 1 ~>	50004FD00								
	Motor 2P, 3~, IE2 since 0,75kW	50001PD00	50008PG00	50013PE00	50017PB00	50019PE00	50024PB00	50025PB00		
		107240510	50008PG00	50013PE00	50017PB00	50019PE00	50024PB00	50025PB00		
	Motor 2P, 3~, IE3 since 0,75kW	50A01PD00	50A08PL00	50A13PE00	50A17PB00	50A19PE00	50A24PB00	50A25PB00		
2	Adaptor	161470740	161470760	161470760	161470860	161470880	161470880	161470880		
23	Lifting bracket	-	-	161441050	161441050	161441060	161441060	161441060		
26	Coupling	KL10ABE	KL10ABK	KL10ABL	KL10ABZ	KL10AB0	KL10AB0	KL10AB0		
27	Coupling guard	KL33AAP	KL33AAQ	KL33AAQ	KL33AAU	KL33AAU	KL33AAU	KL33AAU		

### Wear Parts Kit

	->22SV06	->22SV11
up to model (->)	1 bearing	2 bearing
*34 Wear parts	KL35AEU	KL35AEV

### Mechanical seal Kit : Mech seal D16 + OR

*20A	Materials->	Q1AEGG	KL01AEU	Std -> Seal Q1AEGG - sleeve OR EPDM HT / Balanced : 10-15-22SV < / = 4 kW
		Q1AVGG	KL01AEV	
		Q1Q1VGG	KL01AE4	
*20	Materials->	Q1AEGG	KL01AE5	Std -> Seal Q1AEGG - upper holder OR EPDM HT / Balanced : 10-15-22SV = / > 5,5 kW
		Q1AVGG	KL01AE6	
		Q1Q1VGG	KL01AD4	

### Common, Single Unit and Kit

3	Base	161431350	-> 15-22SV
4	Plugs	EPDM HT	KL34AAX
		FPM	KL34AAL
5	Upper holder	-	Up to 4,0 kW included
		160103710	Equal / Over 5,5 kW
		160103730	Part with hole for tap
*9	Impeller 22SV A304	150703650	
13	Seal housing disc	150102940	Up to 4,0 kW included
		150102960	Equal / Over 5,5 kW
14	Pump body	151302600	
15	Diffuser	152803150	
17	First stage box	152802950	
*21	OR	EPDM HT	KL02AB6
		FPM	KL02AA5
24	Motor flange	-	
30	Bush seal kit EPDM HT	KL41AA6	
	Bush seal kit FPM	KL41AA7	
36	Final diffuser	152803372	

\* Recommended spare parts - Parti di ricambio consigliate

\* Pièces détachées conseillées - Empfohlene Ersatzteile

\*\* Motor spare parts: see motor lists - Parti di ricambio motore: vedi liste motore

\*\* Pièces détachées Moteur : voir listes moteur - Motor-Ersatzteile: gem. Motorlisten

1-22SVFH\_6\_June12\_EdC