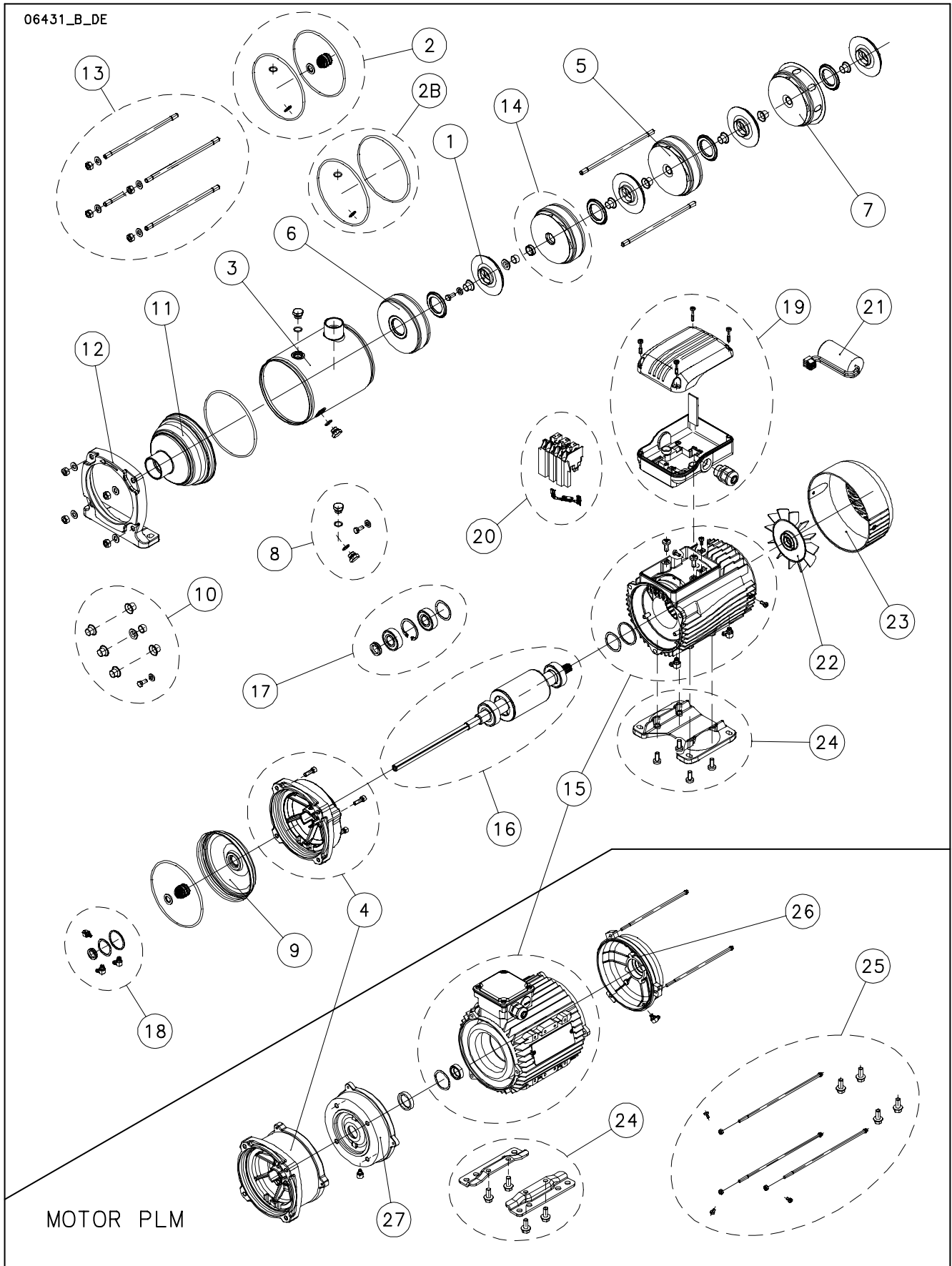


1, 3, 5, 10, 15, 22 HM..S-N "SLEEVE DESIGN"

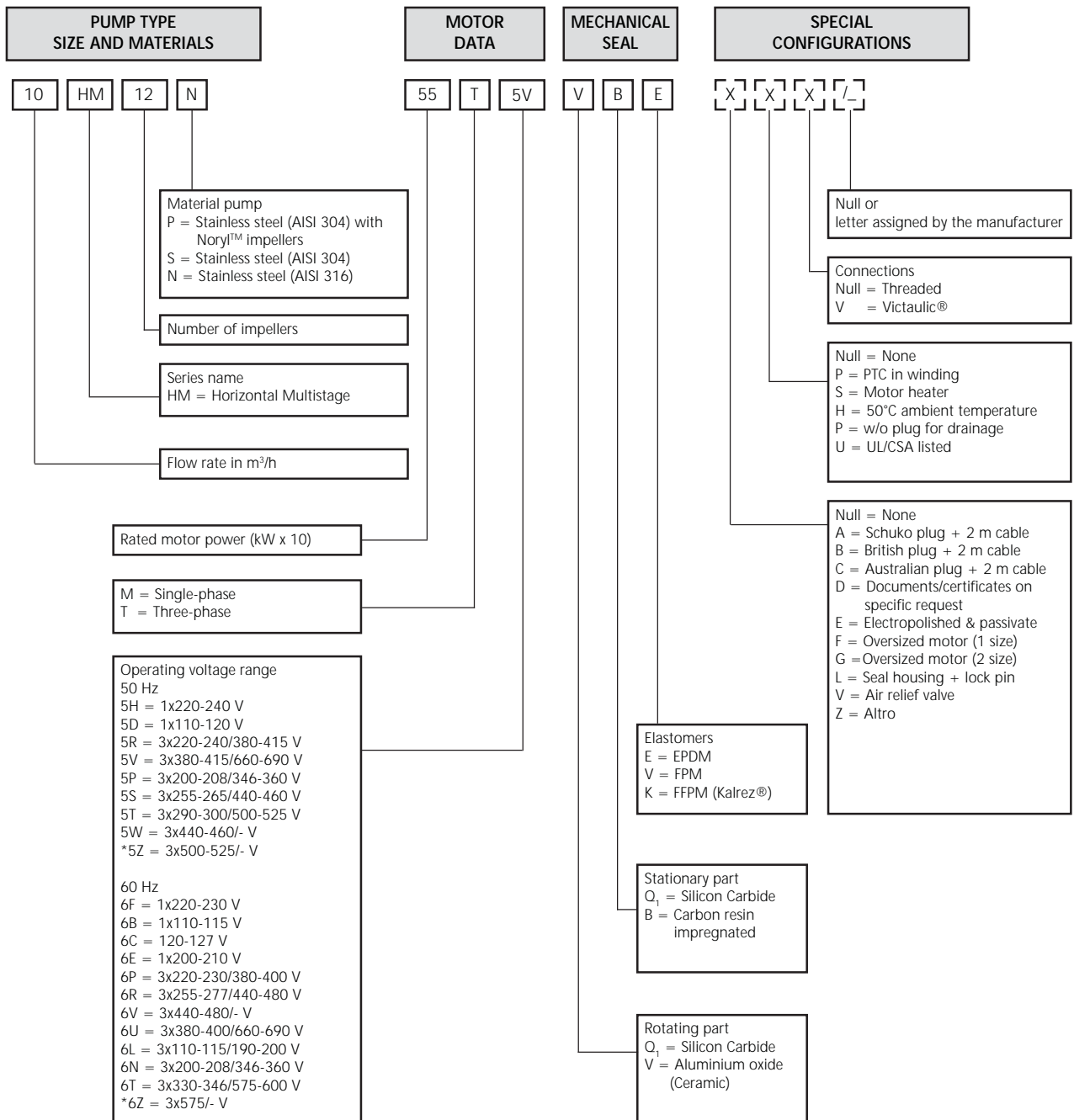


Lowara and Vogel Pumpen are a trademark of Xylem Inc. or one of its subsidiaries. Goulds is a registered trademark of Goulds Pumps, Inc. and is used under license.

N.	Descrizione it	Description en	Description fr	Beschreibung de	Descripción es	Descrição pt
1	Girante	Impeller	Roue	Lauftrad	Rodete	Impulsor
2	Kit tenuta mecc. + OR	Mechanical seal + OR kit	Kit garniture méc. + joints toriques	Gleitringdichtung + OR	Kit sello mec. + junta tórica	Kit Empanque mecanico + O-Ring
2b	Kit guarnizioni OR	O ring kit	Kit joints toriques	O-Ring Dichtungen Bausatz	Kit juntas tóricas	Kit guarnições OR
3	Camicia	Sleeve	Chemise	Mantel	Camisa	Camisa
4	Lanterna + viti	Adaptor + Screws	Lanterne + Visserie	Passfeder + Schrauben	Adaptador + Tornillos	Adaptador + parafusos
5	Diffusore	Diffuser	Diffuseur	Diffusor	Difusor	Difusor
6	Stadio iniziale	Initial stage	Premier étage	Erste Stufe Diffusor	Etapa initial	Primeira célula
7	Diffusore finale	Last stage diffuser	Diffuseur dernier étage	End Diffusor	Difusor final	Difusor final
8	Tappi + OR / Vite girante	Plug + ORing / Impeller screw	Bouchon + joint torique / Roue Vie	Stecker + OR / Laufrad Schraube	Tapón + junta tórica / Tornillo de rodete	Bujão + OR / Parafuso do impulsor
9	Disco portatenuta	Seal housing disc	Disque d'étanchéité	Dichtungsscheibe	Disco de alojamiento retén	Disco porta-vedante
10	Kit distanziali girante + Vite girante	Impeller spacers kit + Impeller screw	Kit entretoises de roue + Roue Vie	Lauftrad DistanzscheibenSatz + Schraube	Kit espaciadores + Tornillo de rodete	Kit espaciadores + Parafuso do impulsor
11	Testata	Head	Tête	Kopf	Cabezal	Cabeça
12	Anello con piede	Ring with foot	Anneau avec pied	Ring mit Fuß	Anillo a pie	Anel com pé
13	Tiranti pompa	Pump tie rods	Tiges de pompe	Pumpen spannstangen	Tirantes de bomba	Tirantes de bomba
14	Kit diffusore con boccola Widia	Diffuser Widia tungsten bush kit	Kit diffuseur douille Widia	Satz Diffusor mit Widia Büchse	Kit difusor casquillo Widia	Kit difusor com Widia tungstênio bucha
15	Cassa statore	Stator housing	Carcasse stator	Statorgehäuse	Carcasa estator	Carcaça estator
16	Albero rotore completo	Shaft rotor complete	Arbre rotor au complet	Rotorwelle Komplete	Eje rotor complete	Vejo rotor completo
17	Cuscinetti - Anelli	Bearings - Rings	Roulements - Anneaux	Lagers - Rings	Cojinetes - Anillos	Rolamentos - Anels
18	Anelli tenuta - Tappi	Oil seals - Plugs	Bagues étanchéité-Bouchons	Abdichtungsringen-Schrauben	Anillos estanqueidad- Tapones	Retenores - Bujões
19	Scatola morsettiera	Terminal box	Boite a bornier	Klemmenkasten	Caja de bornes	Caixa de terminais
20	Morsettiera / Plug in	Terminal block / Plug in	Bornier enfichable / Plug in	Steck-Klemmkasten / Plug in	Place de bornes / Plug in	Terminais / Plug in
21	Condensatore	Capacitor	Condensateur	Kondensator	Condensador	Condensador
22	Ventola	Fan	Ventilateur	Lüfterrad	Ventilador	Ventilador
23	Copriventola	Fan cover	Couvercle de ventilateur	Lüfterradhaube	Tapa ventilador	Cobertura do ventilador
24	Piede motore	Motor foot	Pied de moteur	Motorfuß	Pie del motor	Pé do motor
25	Tiranti / Viteria motore	Motor Tie rods / Screws	Tiges / Visse moteur	Motor- Spannstangen / Schrauben	Tirantes / Tornillos motor	Tirantes / Parafusos motor
26	Scudo posteriore NDE	Rear shield NDE	Flasque arriere NDE	Hinteren Schild NDE	Escudo posterior NDE	Proteção posterior NDE
27	Scudo anteriore DE	Front shield DE	Flasque antérieur DE	Vorderer kasten DE	Escudo anterior DE	Escudo dianteiro DE
N.	Beschrijving nl	Περιγραφή el	Açıklama tr	Kuvaus fi	Описание ru	Opis pl
1	Waaier	Φτερωτές στροφέιο	Pompa rotorun	Juoksupyörän	импеллер	Wirnik
2	Kit mech. afdichting + O-ring	Μηχανική σφραγίδα στεγανότητας Σετ + OR	Mekanik salmastra kiti + O-Ring	Mek. akselitivistie + O-rengassarja	Комплект мех. печать + OR	Zestaw uszczelniający mech. + OR
2b	Set O-ringafdichtingen	τσιμουχών OR Σετ	O-Ring conta kiti	O-rengassarja	Комплект прокладок OR	Zestaw uszczelek OR
3	Mantel	Κέλυφος	Gömlek	Muhvi	Муфта	Plaszcz
4	Lantaarnstuk met schroeven	προσαρμογέα + βιδών	Adaptör + Vida	Adaptör + Ruuvi	адаптер + винтов	Piasta + łączników gwintowych
5	Diffusor	διαχυτήρας	Difüzör	Diffusioyksikön	Диффузор	Dyfuzor
6	Eerste trap	Πρώτο στάδιο	ilk kademe	Ensivaihe	начальной стадии	Dyfuzor Początkowa
7	Diffusor laatste trap	Τελικός διαχυτήρας	Son difüzör	Loppuvaiheen diffuusori	Концевой диффузор	Dyfuzor końcowy
8	Pluggen + OR / Waaier schroef	Πώμα + OR / βιδών στροφέιο	Fişi + O-Ring / Rotorunu vida	Tulppa + Oring / Juoksupyörän ihmishenkiä	штпсель + OR / импеллер винтов	Zatyczka + OR / Śrubowy wirnika
9	Dichtingssteunplaat	Δίσκος μηχανικού στυπιοθήλητη	Sızdırmazlık diskı	Tiivisteenn kannatuslevy	Диск держателя прокладки	Tarcza uszczelki
10	Waaier spacer set + Waaier schroef	Αποστάτες περωτής που + βιδών στροφέιο	Pompa rotor ayırıcılar seti + Rotorunu vida	Juoksupyöräna välilevyt + ihmishenkiä	Комплект импеллер: распорки + винтов	Wirnik przekładki kit + Śrubowy wirnika
11	Kop	Κεφαλή	Kafa	Pääkohta	головка	Głowica
12	Ring met voet	Ρινγκ με Πόδι	Ayak halkası	Rengas jalka	Кольцо с ног	Pierścien z podnóża
13	Pomp trekstangen	Ράβδοι σύνδεσμοι αντλία	Çekme çubukları pompası	Pumppu ankkurirauta	Насос адаптер	Pompy Szpilki gwintowane
14	Set Widia diffusoribus	Σετ διαχυτήρας με Widia κουζινέτο	Widia burçlu difüzör kiti	Kit diffusori Widia holkki	Комплект диффузора втулки Widia	Zestaw dyfuzora tulejki Widia Wolfram
15	Statorhuis	Έδρα κατοίκι	Stator karteri	Staatortr kaapit	Корпус статора	Stator Nadawcza
16	Rotor as compleet	επάνω και το κάτω μέρος του	Rotor mili	Roottori akseli	ось ротора	Walek kompletny (z rotorem)
17	Lagers - Ringen	Τριβεία- δακτύλιοι	Rulmanlar - Ringes	Laakeri - Rengas	Подшипник - кольцами	Łożyska - pierścienie
18	Zegel ringen - Vulpluggen	πετρελαίου παρεμβύσματα - πώμα	Fok ringes - Burg/mafsal	Ölly tiivistee - Tulppa	прокладки для нефти - штпсели	Uszczelka olejowa - zatyczki
19	Kabelkast	Πίνακες θερματικών	Terminal Kutu	Liitinkotelon kansi	соединители коробка	Skrzynka zaciskowa
20	Klemmenbord / Plug in	Τερματικές μονάδες / Plug in	Kaide bacaklar / Plug in	Liitinalusta / Plug in	контактная колодка / Plug in	Podstawa ze sworzeniami Plug in
21	Condensator	πικνωτ	Kondansatör	Kondensaattori	конденсатор	Kondensator
22	Ventilator	Ανεμιστήρ	Vantilatör	Tuuletin	вентилятор	Wentylator
23	Ventilatorkap	Ανεμιστήρ Ελάσματα κάλυψης	Vantilatör kapağı	Tuuletimen kanne	вентилятор крышка	Oslona wentylatora
24	Motor voet	Πόδι κινητήρα	Makina ayak	Moottori jalka	Корпус статора + двигатель стопы	Silnik noga mebla
25	Trekstangen / Schroevena motor	Κινητήρα ράβδοι σύνδεσμοι / βίδες	Makina çekme çubukları / Vidalar alışveriş	Moottorin Ankkurirauta / Ruuvit	мотора адаптер / винтами	Silnika Szpilki gwintowane / Srubeczka
26	Achtergedeelte Motorhuis NDE	Πίσω πετάσμα NDE	Arka koruma NDE	Renkaat kumit NDE	назад щит NDE	Tylna tarcza NDE
27	Voorzijde Motorhuis DE	Πίσω μέτωπο DE	Ön koruma DE	Etusuojus DE	передний щит DE	Przednia tarcza DE



e-HM™ SERIES IDENTIFICATION CODE



EXAMPLE: 10HM12N55T5VQBE
HM series electric pump, flow rate 10 m³/h, number of impellers 12, N version (AISI 316), rated motor power 5,5 kW, three-phase 50 Hz, voltage 380-415/660-690 V, Silicon/Carbide/EPDM mechanical seal.

* For uses other than EN 60335-2-41.
For special configurations please contact the sales network.



1HM..N "Sleeve Design" 60Hz

Since 7 stages

ELP 2 P									
ELP 1~, 220-230V 60Hz ->	1HM07N07M	1HM08N07M	1HM09N07M	1HM10N09M	1HM11N09M	1HM12N09M	1HM13N11M	1HM15N15M	1HM17N15M
	104607864	104607874	104607884	104607894	104607904	104607914	104607924	104607944	104607964
ELP 3~, 220-380V 60Hz ->	1HM18N15M								
	104607974								
	1HM07N07T	1HM08N07T	1HM09N07T	1HM10N11T	1HM11N11T	1HM12N11T	1HM13N11T	1HM15N15T	1HM17N15T
	104606464	104606474	104606484	104606494	104606504	104606514	104606524	104606544	104606564
	1HM18N15T								
	104606574								
Stages number ->	7	8	9	10	11	12	13	15	17
	18								
kW (M) ->		0,75			0,95		1,1		1,5
	1,5								
kW (T) ->		0,75			1,1				1,5
	1,5								

Pump Kit

*2	Mech D14 + ORings ->	VBE	KL01AFF	Std -> Seal VBE - OR EPDM upto 11 stages
		QBE	KL01AFG	Std -> Seal QBE - OR EPDM since 12 stages
		QQE	KL01AFH	
		VBV	KL01AFK	
		QBV	KL01AFL	
		QQV	KL01AFM	
		QBK	KL01AFU	
		QQK	KL01AFV	1-5HM Sleeve Design
*2b	OR EPDM (like item 2 less mech)	KL02ACE		
	OR FPM (like item 2 less mech)	KL02ACH		
	OR FFKM (like item 2 less mech)	KL02ACM		
8	Plugs S.S. EPDM + imp. screw	KL34AA0		
	Plugs S.S. FPM + imp. screw	KL34AA3		
	Plugs S.S. FFKM + imp. screw	KL34AA5		

Pump Kit and Single Unit

3	Sleeve with pipe	156504202	156504222	156504242	156504262	156504272	156504282	156504302	156504342	156504362
		156504382								
13	Pump tie rods	KL40AAG	KL40AAK	KL40AAM	KL40AAP	KL40AAQ	KL40AAR	KL40AAT	KL40AAX	KL40AAZ
		KL40AA1								
*1	Impeller A316	150703602								
5	Diffuser	152803112								
		5	5	6	7	8	9	10	12	13
		16								
6	First stage diffuser	152802912								
7	Last stage diffuser w/wear ring	152803512								
9	Seal housing disc with wing	150104132								
10	Impeller spacers (n. 6/set)	KL07AAM								
	kit ->		3				4		5	6
	->	7								
11	Head	151404102								
12	Ring with foot	161431570								
14	Diffuser with bearing	152803212								

16	Shaft rotor complete pumpshaft M	KL09AGR		KL09AE9	KL09AGP	KL09AFB	KL09AFC	KL09AFD	KL09AGQ	KL09AFG
	Shaft rotor complete pumpshaft T	KL09AGS	KL09AGT	KL09AGU	KL09AKU	KL09AFQ	KL09AFR	KL09AFS	KL09AGV	KL09AFV
		KL09AGW								

Motor kit

		kW ->			
		0.75	0.95	1.1	1.5
4	Adaptor w/screws	KL21AAR	KL21AAR	KL21AAS	KL21AAS
		KL21AAS	KL21AAS	KL21AAS	KL21AAS
15	Motor casing + Stator 1~	KL25ADY	KL25ADZ	KL25AD0	KL25AD1
	3~	KL25ADL	-	KL25ADN	KL25ADQ
17	Bearings - Rings 1~	KL11AAB	KL11AAB	KL11AAU	KL11AAU
		6202/6302		6204/6204HE	
	Bearings - Rings 3~	KL11AAU	-	KL11AAU	KL11AAU
		6204/6204HE			
18	Oil seals - Plugs	KL03ABP	KL03ABP	KL03ABP	KL03ABP
19	Terminal box 1~	KL30AAA	KL30AAB	KL30AAB	
	3~	KL30AAA	-	KL30AAA	KL30AAA
23	Fan cover w/screws 1~	KL29AAD	KL29AAD	KL29AAE	
	3~	KL29AAE	-	KL29AAE	KL29AAE
24	Motor foot/feet	KL23AAE	KL23AAE	KL23AAD	
		KL23AAD	-	KL23AAD	KL23AAD
25	Motor Tie rods PLM90				
26	Rear shield NDE				

Motor Single Unit

20	Terminal block 1~	158160690	158160710	158160500	158160540
	Terminal block 3~	158160280	-	158160280	158160280
21	Capacitor 1 ~	150990440	150990450	150990460	150990480
	uF ->	20	25	30	40
22	Fan SM63 -> 80 1~	140760150	140760150	140760160	140760160
	3~	140760160	-	140760160	140760160

* Recommended spare parts - Parti di ricambio consigliate

* Pièces détachées conseillées - Empfohlene Ersatzteile

1-22HM(N)-Sleeve_5_Oct13_EdE

3HM...N "Sleeve Design" 60Hz

Since 7 stages

ELP 2 P								
ELP 1~, 220-230V 60Hz ->	3HM07N09M	3HM08N11M	3HM09N15M	3HM10N15M	3HM11N22M	3HM12N22M	3HM13N22M	3HM14N22M
	104608154	104608164	104608174	104608184	104608194	104608204	104608214	104608224
ELP 3~, 220-380V 60Hz ->	3HM07N11T	3HM08N15T	3HM09N15T	3HM10N15T	3HM11N22T	3HM12N22T	3HM13N22T	3HM14N22T
	104606754	104606764	104606774	104606784	104606794	104606804	104606814	104606824
Stages number ->	7	8	9	10	11	12	13	14
kW (M) ->	0,95	1,1	1,5		2,2			
kW (T) ->	1,1	1,5		2,2				

Pump Kit

*2	Mech D14 + ORings ->	VBE	KL01AFF	Std -> Seal VBE - OR EPDM upto 9 stages Std -> Seal QBE - OR EPDM since 10 stages
		QBE	KL01AFG	
		QQE	KL01AFH	
		VBV	KL01AFK	
		QBV	KL01AFL	
		QQV	KL01AFM	
		QBK	KL01AFU	
		QQK	KL01AFV	
*2b	OR EPDM (like item 2 less mech) OR FPM (like item 2 less mech) OR FFKM (like item 2 less mech)	KL02ACE KL02ACH KL02ACM		
8	Plugs S.S. EPDM + imp. screw Plugs S.S. FPM + imp. screw Plugs S.S. FFKM + imp. screw	KL34AA0 KL34AA3 KL34AA5		

Pump Kit and Single Unit

3	Sleeve with pipe	156504202	156504222	156504242	156504262	156504272	156504282	156504322	156504322
13	Pump tie rods	KL40AAG	KL40AAK	KL40AAM	KL40AAP	KL40AAQ	KL40AAR	KL40AAT	KL40AAV
*1	Impeller A316	152803112							
5	Diffuser	150703612							
		5	5	6	7	8	9	10	11
6	First stage diffuser	152802912							
7	Last stage diffuser w/wear ring	152803512							
9	Seal housing disc with wing	150104132							
10	Impeller spacers (n. 6/set) kit ->	KL07AAM							
		3				4		5	
11	Head	151404102							
12	Ring with foot	161431570							
14	Diffuser with bearing	152803212							
16	Shaft rotor complete pumpshaft M	KL09AGX	KL09AGY	KL09AGZ	KL09AG0	KL09AG1	KL09AG2	KL09AG3	KL09AG4
	Shaft rotor complete pumpshaft T	KL09AG5	KL09AG6	KL09AG7	KL09AG8	KL09AG9	KL09AHA	KL09AHB	KL09AHC

Motor kit

		kW ->			
		0.95	1.1	1.5	2.2
4	Adaptor w/screws	KL21AAR	KL21AAS	KL21AAS	5KL21AAG
		-	KL21AAS	KL21AAS	5KL21AAG
15	Motor casing + Stator 1~ 3~	KL25ADZ	KL25AD0	KL25AD1	5KL25ABS
		-	KL25ADN	KL25ADQ	5KL25ABT
17	Bearings - Rings 1~ Bearings - Rings 3~	KL11AAB	KL11AAU	KL11AAU	KL11AAU
		6202/6302	6204/6204HE		
		-	KL11AAU	KL11AAU	5KL11AAY
		6204/6204HE		6204/6305HE	
18	Oil seals - Plugs	KL03ABP	KL03ABP	KL03ABP	5KL03AAA
19	Terminal box 1~ 3~	KL30AAB	KL30AAB	KL30AAB	5KL30AC2
		-	KL30AAA	KL30AAA	5KL30AAE
23	Fan cover w/screws 1~ 3~	KL29AAD	KL29AAE	KL29AAE	5KL29AAA
		-	KL29AAE	KL29AAE	5KL29AAA
24	Motor foot/feet	KL23AAE	KL23AAD	KL23AAD	5KL23AAA
		-	KL23AAD	KL23AAD	5KL23AAA
25	Motor Tie rods PLM90				5KL22AAA
26	Rear shield NDE				5KL20AA7

Motor Single Unit

20	Terminal block 1~	158160710	158160500	158160540	5KL30AC4
	Terminal block 3~	-	158160280	158160280	5830AAA
21	Capacitor 1 ~	150990450	150990460	150990480	150990621
					150990621
		uF ->	25	30	40
22	Fan SM63 -> 90 1~ 3~	140760150	140760160	140760160	540760010
		-	140760160	140760160	540760010

* Recommended spare parts - Parti di ricambio consigliate
* Pièces détachées conseillées - Empfohlene Ersatzteile

5HM..N "Sleeve Design" 60Hz

Since 6 stages

ELP 2 P							
ELP 1~, 220-230V 60Hz ->	5HM06N15M	5HM07N22M	5HM08N22M	5HM09N22M			
	104608394	104608404	104608414	104608424			
ELP 3~, 220-380V 60Hz ->	5HM06N15T	5HM07N22T	5HM08N22T	5HM09N22T	5HM10N30T	5HM11N30T	5HM12N30T
	104606994	104607004	104607014	104607024	104607034	104607044	104607054
Stages number ->	6	7	8	9	10	11	12
kW (M) ->	1,5	2,2					
kW (T) ->	1,5	2,2			3,0		

Pump Kit

*2	Mech D14 + ORings ->	VBE	KL01AFF	Std -> Seal VBE - OR EPDM upto 9 stages
		QBE	KL01AFG	Std -> Seal QBE - OR EPDM since 10 stages
		QQE	KL01AFH	
		VBV	KL01AFK	
		QBV	KL01AFL	
		QQV	KL01AFM	
		QBK	KL01AFU	
		QQK	KL01AFV	1-5HM Sleeve Design
*2b	OR EPDM (like item 2 less mech)	KL02ACE		
	OR FPM (like item 2 less mech)	KL02ACH		
	OR FFKM (like item 2 less mech)	KL02ACM		
8	Plugs S.S. EPDM + imp. screw	KL34AA0		
	Plugs S.S. FPM + imp. screw	KL34AA3		
	Plugs S.S. FFKM + imp. screw	KL34AA5		

Pump Kit and Single Unit

3	Sleeve with pipe	156504212	156504232	156504252	156504272	156504292	156504312	156504332
13	Pump tie rods	KL40AAH	KL40AAL	KL40AAN	KL40AAQ	KL40AAS	KL40AAU	KL40AAW
*1	Impeller A316	150703622						
5	Diffuser	152803122						
		4	4	5	6	7	8	9
6	First stage diffuser	152802922						
7	Last stage diffuser w/wear ring	152803522						
9	Seal housing disc with wing	150104132						
10	Impeller spacers (n. 6/set)	KL07AAN						
	kit ->	2	3			4		
11	Head	151404112						
12	Ring with foot	161431570						
14	Diffuser with bearing	152803222						

16	Shaft rotor complete pumpshaft M	KL09AHD	KL09AHE	KL09AHF	KL09AKV			
	Shaft rotor complete pumpshaft T	KL09AHG	KL09AHH	KL09AHK	KL09AKW	KL09AHL	KL09AHM	KL09AHN

Motor kit

	kW ->	1.5	2.2	3.0
4	Adaptor w/screws	KL21AAS	5KL21AAG	
		KL21AAS	5KL21AAG	5KL21AAG
15	Motor casing + Stator 1~	KL25AD1	5KL25ABS	
	3~	KL25ADQ	5KL25ABT	5KL25ABU
17	Bearings - Rings 1~	KL11AAU	KL11AAU	
		6204/6204HE		
	Bearings - Rings 3~	KL11AAU	5KL11AAY	5KL11AAY
		6204/6204HE	6204/6305HE	
18	Oil seals - Plugs	KL03ABP	5KL03AAA	5KL03AAA
19	Terminal box 1~	KL30AAB	5KL30AC2	
	3~	KL30AAA	5KL30AAE	5KL30AAE
23	Fan cover w/screws 1~	KL29AAE	5KL29AAA	
	3~	KL29AAE	5KL29AAA	5KL29AAA
24	Motor foot/feet	KL23AAD	5KL23AAA	
		KL23AAD	5KL23AAA	5KL23AAA
25	Motor Tie rods PLM90		5KL22AAA	5KL22AAA
26	Rear shield NDE		5KL20AA7	5KL20AA7

Motor Single Unit

20	Terminal block 1~	158160510	5KL30AC4	
	Terminal block 3~	158160280	5830AAA	5830AAA
21	Capacitor 1 ~	150990480	150990621	
			150990621	
	uF ->	40	30+30	
22	Fan SM63 -> 90 1~	140760160	540760010	
	3~	140760160	540760010	540760010

* Recommended spare parts - Parti di ricambio consigliate

* Pièces détachées conseillées - Empfohlene Ersatzteile

1-22HM(N)-Sleeve_5_Oct13_EdE

10HM..N "Sleeve Design" 60Hz

ELP 2 P								
ELP 1~, 220-230V 60Hz ->	10HM01N11N	10HM02N15M	10HM03N22M					
	104608594	104608604	104608614					
ELP 3~, 220-380V 60Hz ->	10HM01N07T	10HM02N15T	10HM03N22T	10HM04N30T	10HM05N40T	10HM06N40T	10HM07N55T	10HM08N55T
	104607194	104607204	104607214	104607224	104607234	104607244	104607254	104607264
Stages number ->	1	2	3	4	5	6	7	8
kW (M) ->	1.1	1.5	2.2					
kW (T) ->	0.75	1.5	2.2	3.0	4.0		5.5	

Pump Kit

*2	Mech D17 + ORings ->	VBE	KL01AFN	Std -> Seal VBE - OR EPDM upto 6 stages
		QBE	KL01AFP	Std -> Seal QBE - OR EPDM since 7 stages
		QQE	KL01AFQ	
		VBV	KL01AFR	
		QBV	KL01AFS	
		QQV	KL01AFT	
		QBK	KL01AFY	
		QQK	KL01AFZ	10-22HM Sleeve Design
*2b	OR EPDM (like item 2 less mech) OR FPM (like item 2 less mech) OR FFKM (like item 2 less mech)	KL02ACF		
		KL02ACK		
		KL02ACN		
8	Plugs S.S. EPDM + imp. screw Plugs S.S. FPM + imp. screw Plugs S.S. FFKM + imp. screw	KL34AA1		
		KL34AA4		
		KL34AA6		

Pump Kit and Single Unit

3	Pump tie rods	156504602	156504602	156504602	156504612	156504622	156504632	156504642	156504652
13	Sleeve with pipe	KL40AAB	KL40AAB	KL40AAB	KL40AAC	KL40AAD	KL40AAF	KL40ABA	KL40ABB
*1	Impeller A316	150703632							
5	Diffuser	152803132							
		1	1	1	2	3	3	4	5
6	First stage diffuser	152802932							
7	Last stage diffuser w/wear ring	-	152803530	152803530	152803530	152803530	152803530	152803530	152803530
	Last stage empty	162802052	-	-	-	-	-	-	-
9	Seal housing disc with wing	150104142							
10	Impeller spacers (n. 9/set)	KL07AAP							
	kit ->		1					2	
11	Head	151404132							
12	Ring with foot	161431600	161431600	161431600	161431600	161431610	161431610	161431620	161431620
14	Diffuser with bearing	152803232							
16	Shaft rotor complete pumpshaft M	KL09AKX	KL09AKE	KL09AKF					
	Shaft rotor complete pumpshaft T	KL09AKG	KL09AKH	KL09AKK	KL09AKL	KL09AKM	KL09AKN	KL09AKP	KL09AKQ

Motor kit

	kW ->	0.75	1.1	1.5	2.2	3.0	4.0	5.5
4	Adaptor w/screws	KL21AAQ	KL21AAQ	KL21AAQ	5KL21AAF			
		KL21AAQ	-	KL21AAQ	5KL21AAF	5KL21AAF	KL21AAL	KL21AAT
15	Motor casing + Stator 1~ 3~	KL25ADL	KL25D0	KL25AD1	5KL25ABS			
			-	KL25ADQ	5KL25ABT	5KL25ABU	5KL25ABV	5KL25ABW
17	Bearings - Rings 1~ 3~		KL11AAU	KL11AAU	5KL11AAY			
			6204/6204HE					
		KL11AAU	-	KL11AAU	5KL11AAY	5KL11AAY	5KL11AAZ	5KL11AA0
		6204/6204HE			6204/6305HE		6205/6306HE	6206/6306HE
18	Oil seals - Plugs	KL03ABP	KL03ABP	KL03ABP	5KL03AAA	5KL03AAA	5KL03AAB	5KL03AAB
19	Terminal box 1~ 3~		KL30AAB	KL30AAB	5KL30AC2			
		KL30AAA	-	KL30AAA	5KL30AAE	5KL30AAE	5KL30AAG	5KL30AAL
23	Fan cover w/screws 1~ 3~		KL29AAE	KL29AAE	5KL29AAA			
		KL29AAE	-	KL29AAE	5KL29AAA	5KL29AAA	5KL29AAB	5KL29AAD
24	Motor foot/feet		KL23AAD	KL23AAD	5KL23AAA			
		KL23AAD	-	KL23AAD	5KL23AAA	5KL23AAA	5KL23AAB	5KL23AAC
25	Motor Tie rods PLM90 1~/3~ Motor Screws since PLM100 3~				5KL22AAA	5KL22AAA		
26	Rear shield NDE				5KL20AA7	5KL20AA7	5KL40AAA	5KL40AAA
27	Front shield DE						5KL20AA0	5KL20AA1
							5KL20AAL	5KL20AAU

Motor Single Unit

20	Terminal block 1~ Terminal block 3~		158160500	158160510	5KL30AC4			
		158160280	-	158160280	5830AAA	5830AAA	5830AAA	5830AAB
21	Capacitor 1 -		150990460	150990480	150990621			
					150990621			
	uF ->		30	40	30+30			
22	Fan SM63 -> 80 PLM90->112		140760160	140760160	540760010			
		140760160	-	140760160	540760010	540760010	540760030	540760030

* Recommended spare parts - Parti di ricambio consigliate
* Pièces détachées conseillées - Empfohlene Ersatzteile

15HM..N "Sleeve Design" 60Hz

ELP 2 P				
	15HM01N15M			
ELP 1~, 220-230V 60Hz ->	104608764			
	15HM01N15T	15HM02N30T	15HM03N40T	15HM04N55T
ELP 3~, 220-380V 60Hz ->	104607364	104607374	104607384	104607394
Stages number ->	1	2	3	4
kW (M) ->	1.5			
kW (T) ->	1.5	3.0	4.0	5.5

Pump Kit

*2	Mech D17 + ORings ->	VBE QBE QQE VBV QBV QQV QBK QK	KL01AFN KL01AFP KL01AFQ KL01AFR KL01AFS KL01AFT KL01AFY KL01AFZ	Std -> Seal VBE - OR EPDM upto 8 stages 10-22HM Sleeve Design
*2b	OR EPDM (like item 2 less mech) OR FPM (like item 2 less mech) OR FFKM (like item 2 less mech)	KL02ACF KL02ACK KL02ACN		
8	Plugs S.S. EPDM + imp. screw Plugs S.S. FPM + imp. screw Plugs S.S. FFKM + imp. screw	KL34AA1 KL34AA4 KL34AA6		

Pump Kit and Single Unit

3	Sleeve with pipe	156504752	156504752	156504752	156504762
13	Pump tie rods	KL40AAC	KL40AAC	KL40AAC	KL40AAE
*1	Impeller A304	150703642			
5	Diffuser	152803152			
		1	1	1	2
6	First stage diffuser	152802952			
7	Last stage diffuser w/wear ring	-	152803542	152803542	152803542
	Last stage empty	162802052	-	-	-
9	Seal housing disc with wing	150104142			
10	Impeller spacers (n. 9/set)	KL07AAQ			
	kit ->		1		
11	Head	151404142			
12	Ring with foot	161431600	161431600	161431610	161431620
14	Diffuser with bearing	152803232			

16	Shaft rotor complete pumpshaft M	KL09AKY			
	Shaft rotor complete pumpshaft T	KL09AKZ	KL09AKB	KL09AKR	KL09AKS

Motor kit

	kW ->	1.5	3.0	4.0	5.5
4	Adaptor w/screws	KL21AAQ			
		KL21AAQ	5KL21AAF	KL21AAL	KL21AAT
15	Motor casing + Stator 1~ 3~	KL25ADQ			
		KL25ADQ	5KL25ABU	5KL25ABV	5KL25ABW
17	Bearings - Rings 1~ 3~	KL11AAU			
		6204/6204HE			
		KL11AAU	5KL11AAY	5KL11AAZ	5KL11AA0
		6204/6204HE	6204/6305HE	6205/6306HE	6206/6306HE
18	Oil seals - Plugs	KL03ABP	5KL03AAA	5KL03AAB	5KL03AAB
19	Terminal box 1~ 3~	KL30AAB			
		KL30AAA	5KL30AAE	5KL30AAG	5KL30AAL
23	Fan cover w/screws 1~ 3~	KL29AAE			
		KL29AAE	5KL29AAA	5KL29AAB	5KL29AAD
24	Motor foot/feet	KL23AAD			
		KL23AAD	5KL23AAA	5KL23AAB	5KL23AAC
25	Motor Tie rods PLM90 1~/3~ Motor Screws since PLM100 3~		5KL22AAA		
				5KL40AAA	5KL40AAA
26	Rear shield NDE		5KL20AA7	5KL20AA0	5KL20AA1
27	Front shield DE			5KL20AAL	5KL20AAU

Motor Single Unit

20	Terminal block 1~ Terminal block 3~	158160510 158160280			
			5830AAA	5830AAA	5830AAB
21	Capacitor 1 ~	150990480			
	uF ->	40			
22	Fan SM63 -> 80 PLM90->112	140760160 140760160			
			540760010	540760030	540760030

* Recommended spare parts - Parti di ricambio consigliate

* Pièces détachées conseillées - Empfohlene Ersatzteile

1-22HM(N)-Sleeve_5_Oct13_EdE

22HM..N "Sleeve Design" 60Hz

ELP 2 P			
ELP 1~, 220-230V 60Hz ->	22HM01N22M		
	104608874		
ELP 3~, 220-380V 60Hz ->	22HM01N22T	22HM02N40T	22HM03N55T
	104607474	104607484	104607494
Stages number ->	1	2	3
kW (M) ->	2.2		
kW (T) ->	2.2	4.0	5.5

Pump Kit

*2	Mech D17 + ORings ->	VBE	KL01AFN	Std -> Seal VBE - OR EPDM
		QBE	KL01AFP	
		QOE	KL01AFQ	
		VBV	KL01AFR	
		QBV	KL01AFS	
		QOV	KL01AFT	
		QBK	KL01AFY	
		QOK	KL01AFZ	
*2b	OR EPDM (like item 2 less mech) OR FPM (like item 2 less mech) OR FFKM (like item 2 less mech)	KL02ACF		10-22HM Sleeve Design
		KL02ACK		
		KL02ACN		
8	Plugs S.S. EPDM + imp. screw Plugs S.S. FPM + imp. screw Plugs S.S. FFKM + imp. screw	KL34AA1		
		KL34AA4		
		KL34AA6		

Pump Kit and Single Unit

3	Sleeve with pipe	156504752	156504752	156504752
13	Pump tie rods	KL40AAC	KL40AAC	KL40AAC
*1	Impeller A304	150703652		
5	Diffuser	152803152		
		1	1	1
6	First stage diffuser	152802952		
7	Last stage diffuser w/wear ring	-	152803542	152803542
	Last stage empty	162802052	-	-
9	Seal housing disc with wing	150104142		
10	Impeller spacers (n. 9/set)	KL07AAL		
	kit ->		1	
11	Head	151404140		
12	Ring with foot	161431600	161431600	161431620
14	Diffuser with bearing	-	-	-

16	Shaft rotor complete pumpshaft M	KL09AH5		
	Shaft rotor complete pumpshaft T	KL09AH6	KL09AKR	KL09AKT

Motor kit

	kW ->	2.2	4.0	5.5
4	Adaptor w/screws	5KL21AAF		
		5KL21AAF	KL21AAL	KL21AAT
15	Motor casing + Stator 1~	5KL25ABS		
	3~	5KL25ABT	5KL25ABV	5KL25ABW
17	Bearings - Rings 1~	5KL11AAY		
		6204/6305HE		
	Bearings - Rings 3~	5KL11AAY	5KL11AAZ	5KL11AA0
		6204/6305HE	6205/6306HE	6206/6306HE
18	Oil seals - Plugs	5KL03AAA	5KL03AAB	5KL03AAB
19	Terminal box 1~	5KL30AC2		
	3~	5KL30AAE	5KL30AAG	5KL30AAL
23	Fan cover w/screws 1~	5KL29AAA		
	3~	5KL29AAA	5KL29AAB	5KL29AAD
24	Motor foot/feet	5KL23AAA		
		5KL23AAA	5KL23AAB	5KL23AAC
25	Motor Tie rods PLM90 1~/3~	5KL22AAA		
	Motor Screws since PLM100 3~		5KL40AAA	5KL40AAA
26	Rear shield NDE	5KL20AA7	5KL20AA0	5KL20AA1
27	Front shield DE		5KL20AAL	5KL20AAU

Single Unit

20	Terminal block 1~	5KL30AC4		
	Terminal block 3~	5830AAA	5830AAA	5830AAB
21	Capacitor 1 ~	150990621		
		150990621		
	uF ->	30+30		
22	Fan PLM90->112	540760010		
		540760010	540760030	540760030

* Recommended spare parts - Parti di ricambio consigliate

* Pièces détachées conseillées - Empfohlene Ersatzteile

1-22HM(N)-Sleeve_5_Oct13_EdE

xylem