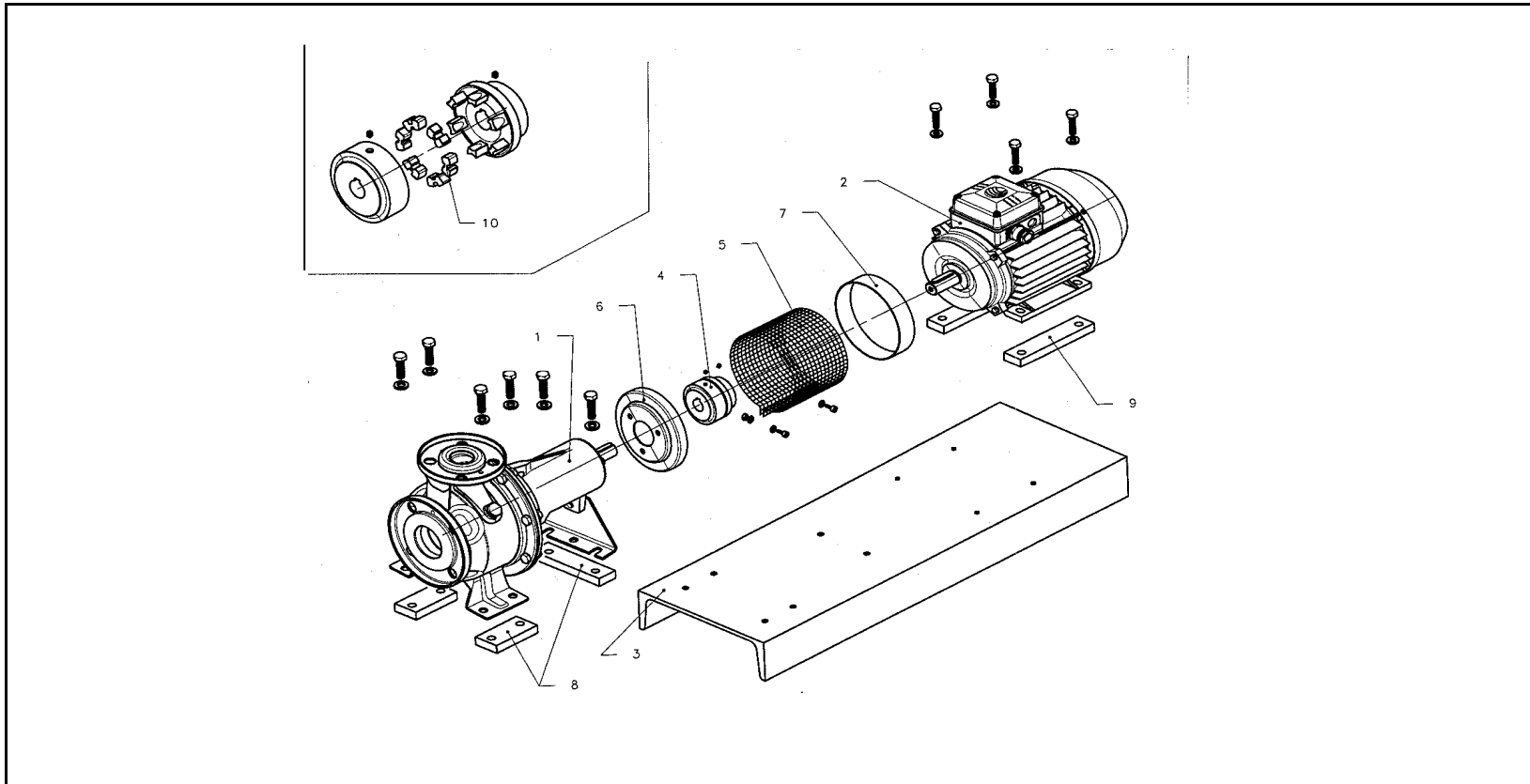


xylem

ELETTROPOMPA 60 Hz SERIE SHF 65 - 80

SHF 65 - 80 SERIES 60 Hz PUMP WITH ELECTRIC MOTOR



Descrizione - Description	Codice - Code		1 Pompa Pump	2 ** Motore Motor	Grandezza Size	3 Base Base	4 Giunto Coupling	5 Coprigiunto Coupling guard	6 Disco protez. giunto Coupling guard disk	7 Anello per coprigiunto Coupling guard ring	8 Kit spessori Shims Kit	9 Kit spessori Shims Kit	10 Kit tasselli per giunto Coupling block Kit
SHF 65-160/556	113 (a)	130646360	LM132B3/355	161405150	157650020	164600270	160101230	168601120	-	N 2-161402460+N 2-161402440	148994420		
SHF 65-160/756	121 (b)	130646370	LM132B3/375	161405150	157650020	164600270	160101230	168601120	-	N 2-161402460+N 2-161402440	148994420		
SHF 65-160/1106A	146	130646410	LM160B3/3110	161405190	157650030	164600270	160101230	168601120	-	-	148994420		
SHF 65-160/1106	152	130646410	LM160B3/3110	161405190	157650030	164600270	160101230	168601120	-	-	148994420		
SHF 65-200/1506	164	130646420	LM160B3/3150	161405190	157650030	164600270	160101230	168601120	-	N 2-161402590	148994420		
SHF 65-200/1856	175	130646430	LM160B3/3185	161405190	157650030	164600270	160101230	168601120	-	N 2-161402590	148994420		
SHF 65-200/2206	183	130643890	MA180B3/3220	161405180	157650040	164600270	160101230	168601120	-	-	148994430		
SHF 65-250/3006	205	130643900	MA200B3/3300	161405210	157650060	164600620	160101230	168601130	-	-	148994440		
SHF 65-250/3706	215	130643910	MA200B3/3370	161405210	157650060	164600620	160101230	168601130	-	-	148994440		
SHF 80-160/1506	155	130646420	LM160B3/3150	161405190	157650030	164600620	160101230	168601130	-	N 2-161402590	148994420		
SHF 80-160/1856	164	130646430	LM160B3/3185	161405190	157650030	164600620	160101230	168601130	-	N 2-161402590	148994420		
SHF 80-200/2206	174	130643890	MA180B3/3220	161405200	157650130	164600620	160101230	168601130	-	-	148994430		
SHF 80-200/3006	186A	130643900	MA200B3/3300	161405200	157650060	164600620	160101230	168601130	N 2- 161403230+161403250	-	148994440		
SHF 80-200/3706	193	130643910	MA200B3/3370	161402930	157650060	164600620	160101230	168601130	N 2- 161403230+161403250	-	148994440		
SHF 80-250/4506	201	130643920	MA225B3/3450	161402000	157650060	164600620	160101230	168601130	-	-	148994440		
SHF 80-250/5506	215	130643930	MA250B3/3550	161402010	157650070	164600630	160101230	168601130	-	-	148994450		
SHF 80-250/7506	237	130643940	MA280B3/3750	161402020	157650080	164600630	160101230	168601130	-	-	148994460		

MA180B3/3220 = A4C180M2-B3-22kW
 MA200B3/3300 = A4C200LA2-B3-30kW
 MA200B3/3370 = A4C200LB2-B3-37kW
 MA225B3/3450 = A4C225M2-B3-45kW
 MA250B3/3550 = A4C250M2-B3-55kW
 MA280B3/3750 = A4C280S2-B3-75kW

** Per i ricambi dei motori vedere le apposite liste - Motor spare parts: see proper lists.

** Per codici pompa/elettropompa vedere le liste pompa - Pump/Electropump codes: see pump lists.

1 - Pompa : Diametro girante (mm) / Pump: Impeller Diameter (mm) , a - 113x105, b - 121x116 , A & B = Diametro mozzo - Hub Diameter

2 - Caselle bordate in neretto = Pompe codificate (vedi scheda pompa relativa) / Cells with black border = Pumps codified (see pump sheet related)