

CONTROL SYSTEMS FOR ELECTROPUMPS

Single phase power supply for Single phase pumps

Prod date > 08/2012

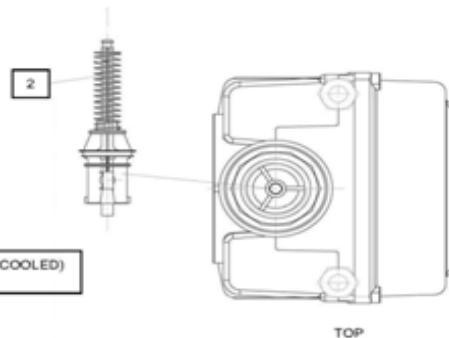
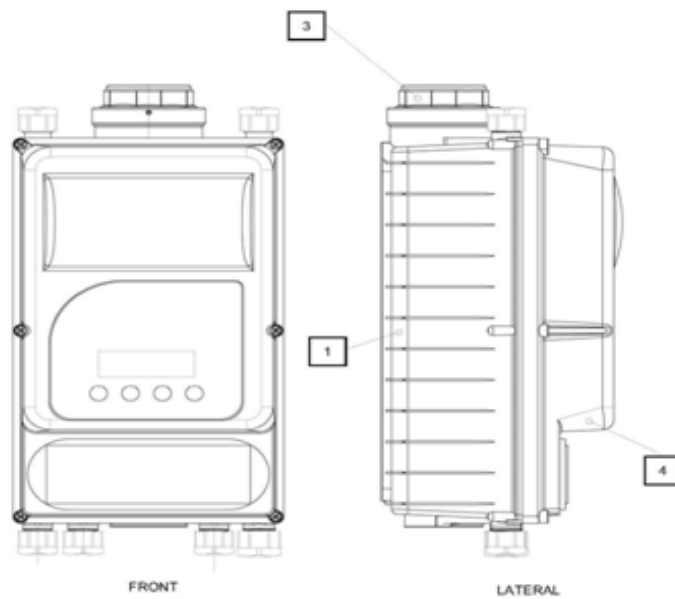
AQUONTROLLER
8A & 12 A



MMA08 - MMA12
(air-cooled)



MMW08 - MMW12
(water-cooled)



AQUONTROLLER (WATER-COOLED)
MMW: 8A & 12A

AQUONTROLLER

Power(input)/Motor(output): 230VAC - 1 ph / 1ph	Water-cooled		Air-cooled	
	MMW08	MMW12	MMA08	MMA12
Nominal output current max (A) -->	8	12	8	12
Max Power input/output (kW) -->	1.3/0,9	2.2/1,85	1.3/0,9	2.2/1,85
Inverter code -->	109899362	109899372	109899382	109899392

NOTE. Old models MMW/A07 of jan 2011 have been replaced with new models MMW/A08

Spares parts

1	External Case MMW	189890410	189890410		
2	Flow Valve+Spring MMW	189890420	189890420		
3	Flow Valve Support MMW	189890450	189890450		
4	Top Cover	189890620	189890620	189890620	189890620
5	IGTB Heatsink MMW				
6	Pressure/Flow Electronic Control Board MM				
7	Electronic Control Board				
8	Display Card				
9	Power Supply Cable	189890510	189890520	189890510	189890520
10	Motor Cable	189890530	189890540	189890530	189890540
11	Power capacitor				
12	Module IGBT				
13	Bridge Rectifier				
14	Micro Switch				
15	"TOP22" electronic Control				
16	KIT O-Ring NBR	189890610	189890610		
17	Pressure sensor MMW (inside inverter)	189890440	189890440		
17	Pressure sensor MMA 4-20mA/10bar (PA21Y-10) Cable 5 mt with plug			002168522 156995090	002168522 156995090

Note.

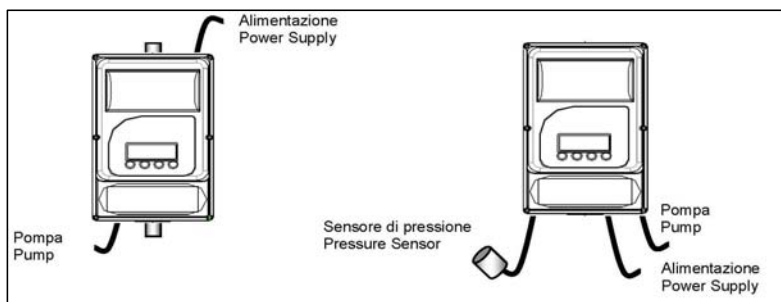
Items Numbers and Descriptions are to be referred to above parts table.

Parts replacement requires an Authorized Service.

Optional Accessories.

A	EMC Line Filter 250VAC/VDC, 1 PHASE, 2X50A	109690280	109690280	109690280	109690280
B	IMPEDANCE Coil 3X1mH / motor cable lenght 5-100 mt	109891550	109891550	109891550	109891550

AQUO MM no cooling fan



AQUO MMW & MMA
Electrical Connections

* Recommended spares