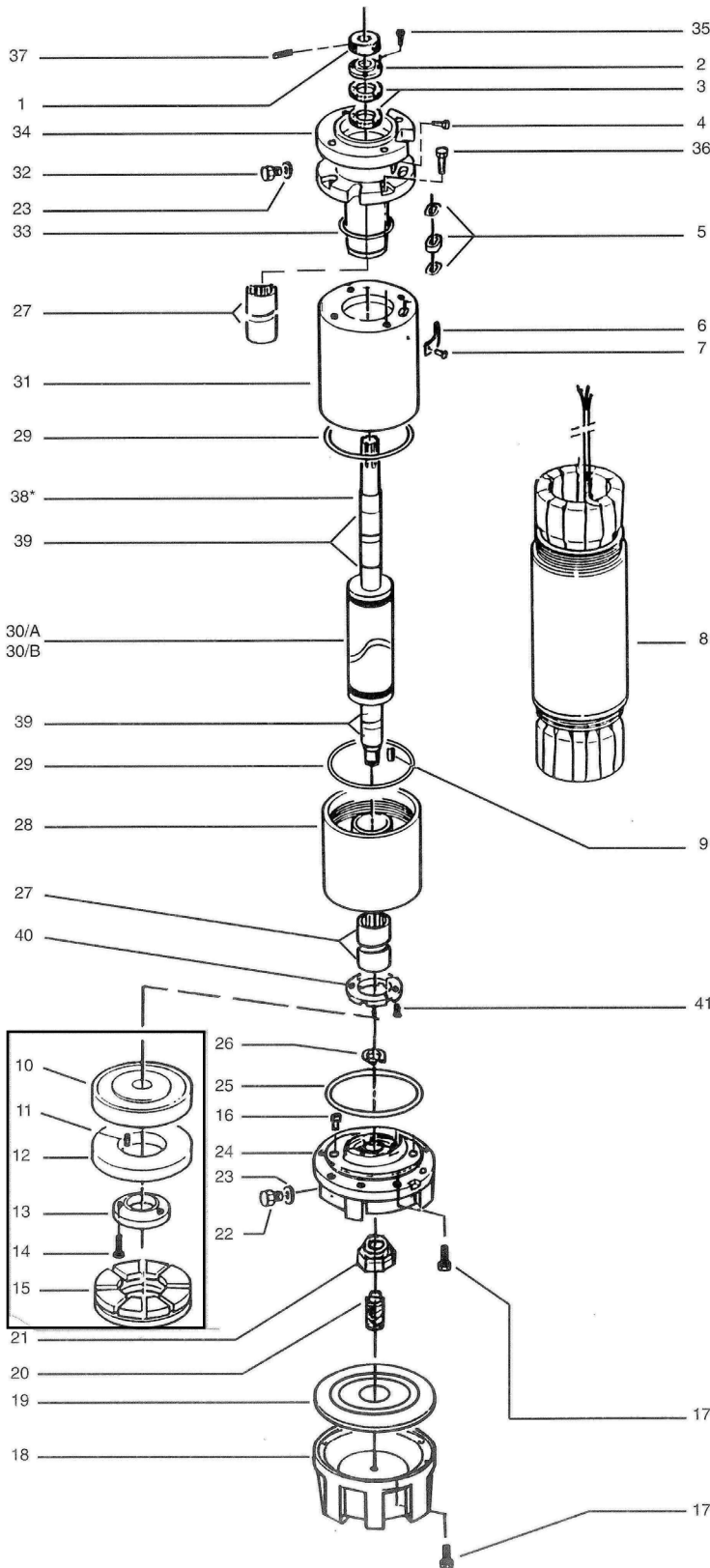
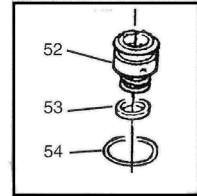


MC 8



TENUTA MECCANICA MECHANICAL SEAL



MC8 8" Submersible Motors

3~ 400 50
DOL starting

MC8-30	MC8-35	MC8-40	MC8-50	MC8-60	MC8-70	MC8-75	MC8-80	MC8-90	MC8-100
107070011	--	107070021	107070041	107070061	107070081	107070101	107070121	107070141	107070161
507023010	507023020	507023030	507023040	507023050	507023060	507023070	507023080	507023090	507023100
MC8-110	MC8-125								
--	107070181								
507023110	507023120								

3~ 400/690 50
SD starting

--	MC8-35 SD	MC8-40 SD	MC8-50 SD	MC8-60 SD	MC8-70 SD	MC8-75 SD	MC8-80 SD	MC8-90 SD	MC8-100 SD
		107070026	107070046	107070066	107070086	107070106	107070126	107070146	107070166
	507023025	507023035	507023045	507023055	507023065	507023075	507023085	507023095	507023105
MC8-110 SD	MC8-125 SD								
	107070186								
507023115	507023125								
22 kW	25 kW	30 kW	37 kW	44 kW	52 kW	55 kW	59 kW	66 kW	75 kW
80 kW	92 kW								

Item Single components

1	Sand guard	568600040	All models								
2	LIP seal cover	564000020	All models								
* 3	LIP seal	572220705	All models, 2 pieces								
8	Stator assy DOL	540640200	540640210	540640220	540640230	540640240	540640250	540640260	540640270	540640280	540640290
	incl.power cable	540640300	540640310								
	Stator assy SD	--	540640215	540640225	540640235	540640245	540640255	540640265	540640275	540640285	540640295
	incl.power cable	540640305	540640315								
9	Key	572650336	All models								
16	Drive pin	562200020	All models, 4 pieces								
18	Lower cover	564250020	All models								
*19	Diaphragm	562360020	All models								
20	Adjusting screw	567200230	All models								
21	Self-locking nut	572633214	All models								
22	Filling valve	549300020	All models								
24	Thrust bracket	561450060	All models								
26	Snap ring	572651128	All models								
*27	Bearing bush	562590040	All models, 4 pieces								
28	Lower bracket	561450070	All models								
30	Shaft and rotor	555080200	555080210	555080220	555080230	555080240	555080250	555080260	555080270	555080280	555080290
		555080300	555080310								
31	Upper spacer DOL	562550050	All models								
	Upper spacer SD	562550060	All models								
32	Press.relief valve	549300010	All models								
34	Upper bracket	561450080	All models								
39	Shaft sleeve	562800010	All models, 4 pieces								
40	Up thrust washer	--	This is now obtained directly in the lower bracket casting, item 28.								

Item Kits

* ->	4,5	Cable seal	5KL30AAR	Suitable for 1x6, 1x10, 1x16 cable sections
* ->	4,5	Cable seal	5KL30AAS	Suitable for 1x25, 1x35 cable sections
* ->	9,10,12,13,14,15,26	Thrust bearing, complete	5KL41AAA	All models
* ->	23, 25, 29, 33	O-rings	5KL02AAB	All models
->	9,17,35,36,37,41	Screws	5KL40AAB	All models
->	38	Shaft seal rings+bearing	5KL35AAA	All models, "for repairs only"

Power cable (ACS approved) - Standard lenght: 5m

Section mm2	code	suitable for :	DOL	SD	Total qty required x motor including earth cable	
1x6	572851262		MC8 30,35	MC8 35-40-50-60	21 m	37 m
1x10	572851264		MC8 40,50	MC8 70-75-80-90		
1x16	572851266		MC8 60-70-75-80	MC8 100-110-125		
1x25	572851268		MC8 90-100	--		
1x35	572851270		MC8 110-125	--		

Special configuration with mechanical seal, items 52, 53, 54

Ceramic/carbon/NBR	5KL01AAC
Sic / Sic / NBR	5KL01AAD