

GLS/V 80-59-253

GLS/V 80-74-253

GLS/V 100-45-453

GLS/V 100-59-453

Flygt 8213.090/180

Table of Contents

Introduction	2
Purpose of this manual.....	2
Disclaimer.....	2
Data for ordering spare parts.....	2
Specially approved products.....	2
Qualification of personnel.....	2
Dimensional accuracy inspection.....	2
Product Description	3
The data plate.....	3
Approvals.....	4
Product approvals for hazardous locations.....	4
EN approval plate.....	4
Product denomination.....	4
Marketing denomination.....	5
Drive Unit	6
Standard.....	6
Explosion-proof.....	7
List of parts.....	8
Hydraulic Unit	11
D_ MT.....	11
D_ HT.....	12
K_ HT.....	13
K_ SH.....	14
List of parts.....	15
Service Parts	16
List of parts.....	16

Introduction

Purpose of this manual

The purpose of this manual is to provide necessary information on spare parts and accessories order.

Disclaimer

Always use genuine Flygt parts. The use of other spare parts or accessories can invalidate any claims for warranty or compensation. Xylem does not take any responsibility for damages that are caused by the use of non-original parts. For more information, please contact your local sales and service representative.

Data for ordering spare parts

The following information is needed for spare part orders:

- Serial number of the product
- Part number
- Quantity of bulk material, see * in tables

Specially approved products

Qualification of personnel

Only Xylem or Xylem-authorized service personnel may undertake repair work on Ex-approved products.

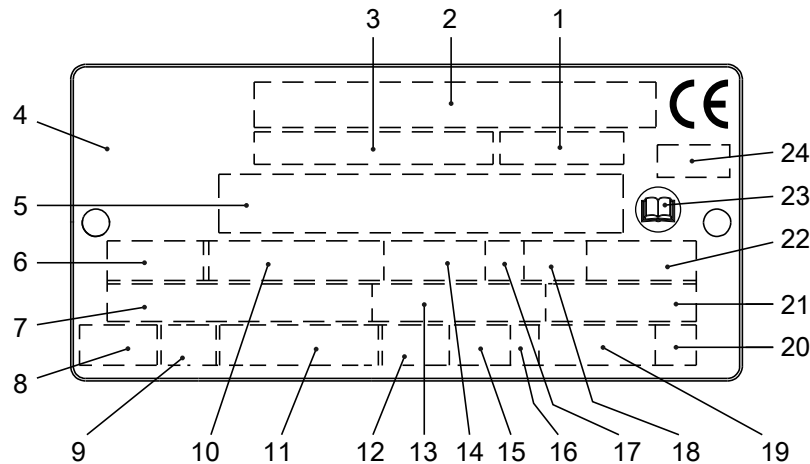
Dimensional accuracy inspection

Spare parts marked with (Ex) after the part number are subject to dimensional accuracy inspection.

Product Description

The data plate

The data plate is a metal label that is located on the main body of the products. The data plate lists key product specifications. Specially approved products also have an approval plate.





WS006257A

1. Curve code/Propeller code
2. Serial number, see [Product denomination](#) (page 4) [Marketing denomination](#) (page 5)
3. Product number
4. Country of origin
5. Additional information
6. Phase; type of current; frequency
7. Rated voltage
- 8.
9. Thermal protection
10. Thermal class
11. Rated shaft power
12. International standard
13. Degree of protection
14. Rated current
15. Rated speed
16. Maximum submergence
17. Direction of rotation: L=left, R=right
18. Duty class
19. Duty factor
20. Product weight
21. Locked rotor code letter
22. Power factor
23. Maximum ambient temperature
24. Read installation manual
25. Notified body, only for EN-approved Ex products

Figure 1: The data plate

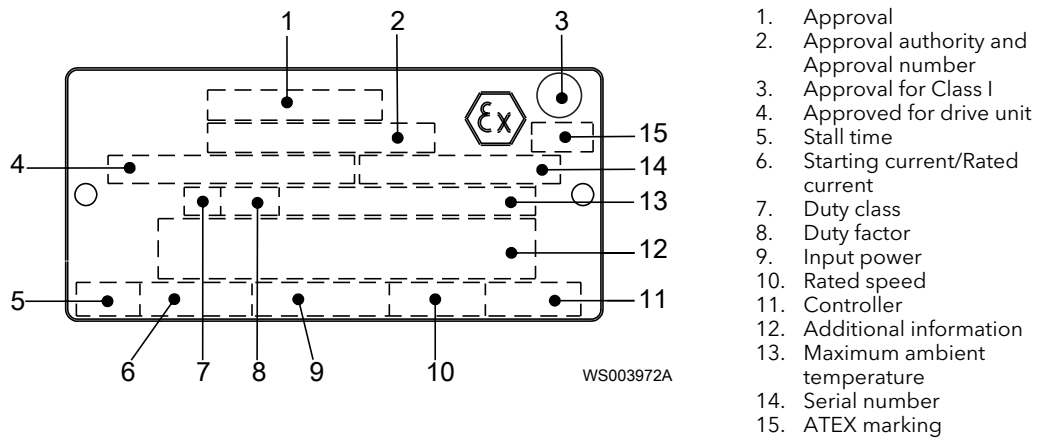
Approvals

Product approvals for hazardous locations

Pump	Approval
<ul style="list-style-type: none"> • 8211.090 • 8212.090 • 8213.090 	European Norm (EN) <ul style="list-style-type: none"> • ATEX Directive • EN 60079-0, EN 60079-1, EN 1127-1 <ul style="list-style-type: none"> •  II 2 G Ex d IIB T4
	EN approval for cable entry: <ul style="list-style-type: none"> • Certificate number: INERIS 02ATEX9008 U <ul style="list-style-type: none"> •  II 2 G Ex d IIC or IM2 Ex d I

EN approval plate

This illustration describes the EN approval plate and the information that is contained in its fields.



Product denomination

Reading instruction

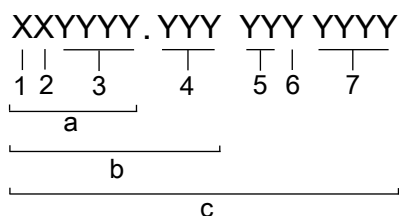
In this section, code characters are illustrated accordingly:

X = letter

Y = digit

The different types of codes are marked up with a, b and c. Code parameters are marked up with numbers.

Codes and parameters

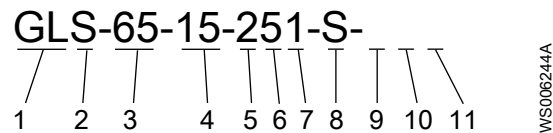


Type of Callout	Number	Indication
Type of code	a	Sales denomination
	b	Product code
	c	Serial number
Parameter	1	Hydraulic end
	2	Type of installation
	3	Sales code
	4	Version
	5	Production year
	6	Production cycle
	7	Running number

Marketing denomination

The marketing code consists of 11 parts.

This is an example of a marketing code, and an explanation of its parts.



1. Name of series
2. Type of impeller
3. Nominal diameter of discharge (mm)
4. Shaft power P₂x10 (kW)
5. Number of poles in the stator
6. Motor frequency (Hz/10)
7. Number of phases
8. Connection

Blank flange coupling
P guide rail installation

S threaded coupling

9. Voltage

Blank 400V, 230V
A 380V, 220V
B 415V, 240V

10. Pump version

Blank Standard
X Ex proof motor

11. Cable length

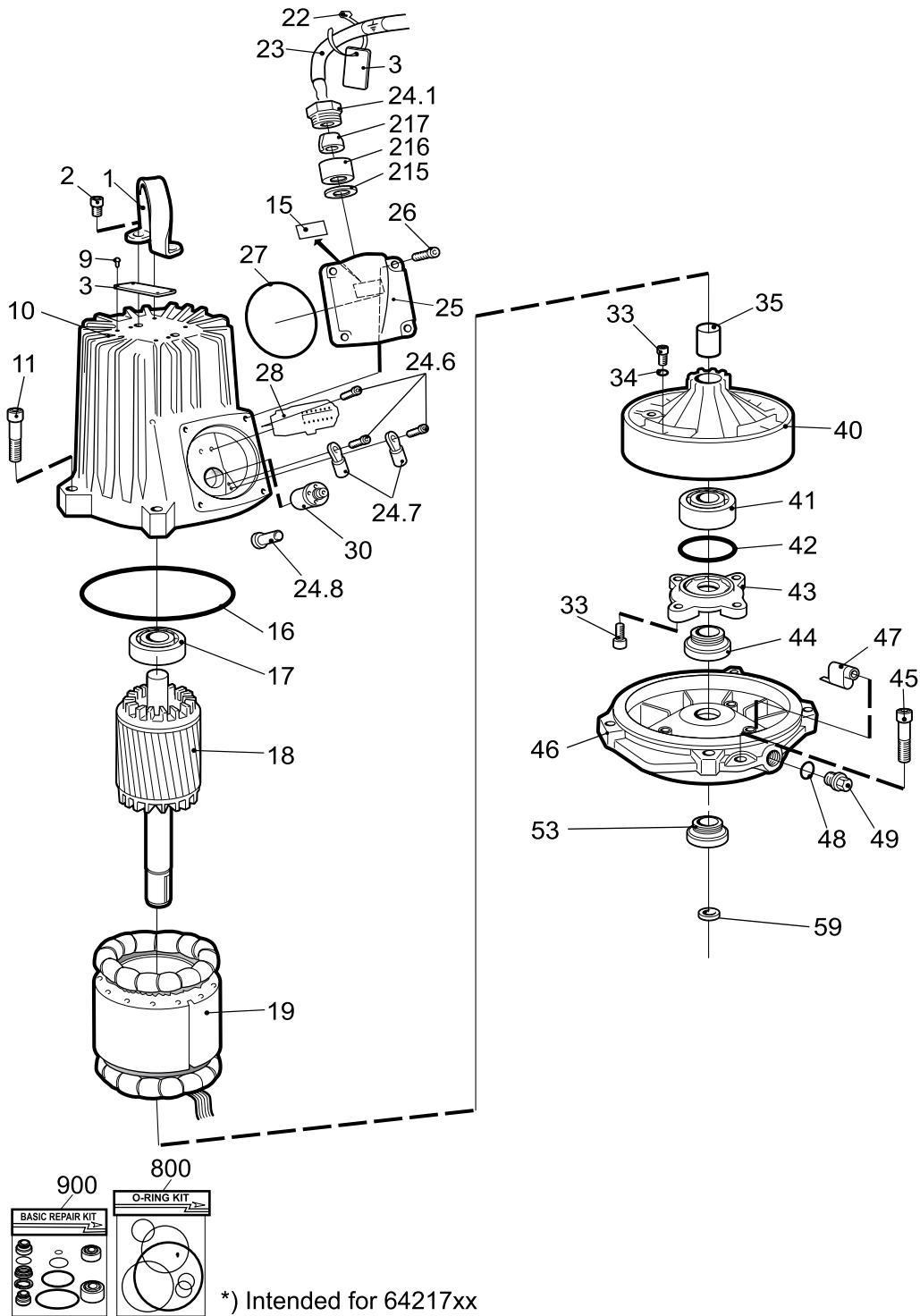
Blank 10 meters cable
2 20 meters cable

Figure 2: Marketing code

Drive Unit

Standard

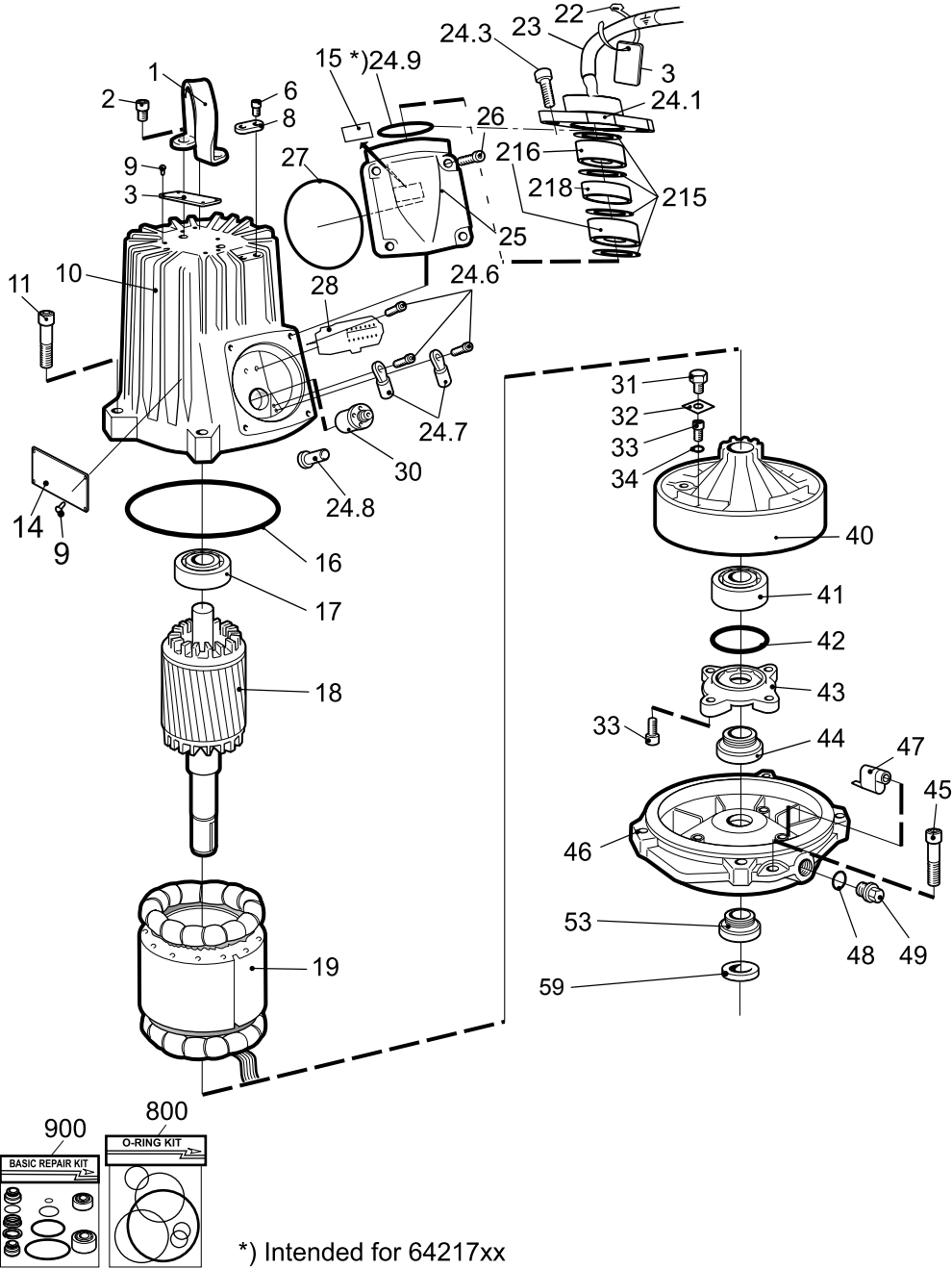
8213.180



31444

Explosion-proof

8213.090



31443

List of parts

Pos. No	Part. No	Denomination	Qty/Version		
			090	180	
1	477 11 01	Lifting handle	1	1	
2	83 03 23	Hex.socket hd screw M10X25-A4-70	2	2	
3	630 68 00	Data plate USE 6306801 AS SPARE PART	Flygt logo	2	2
3	630 68 06	Data plate	Lowara	2	2
6	83 02 58	Hex.socket hd screw M5X12-A4-70	2		
8	279 29 00	Earthing plate	1		
9	82 20 88	Drive screw 4X5-A2-70	8	4	
10	443 53 00	Stator housing		1	
10	443 53 05 (Ex)	Stator housing	1		
11	83 03 30	Hex.socket hd screw M10X60-A4-70	4	4	
14	630 69 00	Certificate plate EX	Flygt logo	2	
14	630 69 02	Certificate plate	Xylem logo	2	
15	772 17 00	Connection plate	1	1	
16	82 74 97	O-ring 239.5X5.7 NBR	1	1	
17	83 32 36	Ball bearing 6207,35X72X17	1	1	
18	443 59 05	Shaft unit	For motor 21-12-4		1
18	443 60 02	Shaft unit	For motor 21-11-2		1
18	443 66 04 (Ex)	Shaft unit	For motor 21-12-4	1	
18	443 67 02 (Ex)	Shaft unit	For motor 21-11-2	1	
19	309 44 38 (Ex)	Stator 21-12-4a	3-phase, 50Hz, 380 - 400VD.	1	1
19	309 44 44 (Ex)	Stator 21-12-4a	3-phase, 50Hz, 415 - 440VD.	1	1
19	309 49 02	Stator 21-11-2a	3-phase, 50Hz, 400VD.	1	1
19	309 49 38 (Ex)	Stator 21-11-2a	3-phase, 50Hz, 380VD.	1	1
19	309 49 44 (Ex)	Stator 21-11-2a	3-phase, 50Hz, 415 - 440VD.	1	1
22	83 45 59	Cable tie 200X2.4 PA 6/6 -55+105	1	1	
23	94 20 59	Motor cable subcab 4G2.5+2X1.5 OD = 17-18 MM	*	*	
23	94 20 61	Motor cable subcab 4G1.5+2X1.5 OD=15-16	*	*	
23	94 20 82	Motor cable subcab 7G2.5+2X1.5 MM2 OD=20-22	*	*	
24.1	397 81 00 (Ex)	Gland screw FOR CABLE ENTRY			1
24.1	642 17 01 (Ex)	Entrance flange	1		
24.3	83 03 48	Hex.socket hd screw M12X40-A4-70	2		
24.6	82 17 61	Cutting screw TAPTITE-M6X12	3	3	
24.7	83 43 58	Cable lug INSUL.UL/CSA 1.04-2.6 MM2	1	1	

Pos. No	Part. No	Denomination	Qty/Version	
			090	180
24.8	83 44 23	Closed end splice 5.1-10.6;(AWG 18-8) L=38	2	2
24.9	82 74 63	O-ring 49.5X3 NBR	1	
25	443 50 03 (Ex)	Entrance cover	1	
25	443 51 00	Entrance cover		1
26	83 04 45	Hex.socket hd screw M8X35-A4-80	4	4
27	82 74 79	O-ring 129.5X3 NBR	2	2
28.1	83 53 21	Terminal clamp	6	6
28.3	83 53 22	End plate APPA - 11796	1	1
28.6	83 53 31	End support 35X15	2	2
28.7	443 68 00	Rail 35X15	1	1
28.9	427 13 00	Marking tape 8129 HIGH TACK/---	1	1
28.9	471 77 01	Marking strip	2	2
30	734 59 00	El.lead through unit	1	1
31	439 44 01 (Ex)	Screw M14X1.25	3	
32	596 07 00	Square washer	3	
33	82 17 64	Cutting screw TAPTITE-M6X20	7	7
34	82 50 60	Sealing washer DUBO NR 301	3	3
35	443 57 00	Sleeve		43.5mm
35	443 57 01	Sleeve		53.5mm
40	443 55 10	Bearing holder		1
40	443 55 11 (Ex)	Bearing holder EX.VERSION	2	
41	83 30 17	Ball bearing 35X80X34.9	1	1
42	82 78 15	O-ring 78X4 NBR	1	1
43	614 49 00	Bearing cover	1	1
44	720 63 01	Mechanical seal	1	1
45	83 03 48	Hex.socket hd screw M12X40-A4-70	4	4
46	604 47 00	Oil housing bottom	1	1
47	443 49 00	Sleeve	1	1
48	82 73 90	O-ring 19.2X3 NBR	6	6
49	428 22 17	Inspection screw	2	2
53	720 63 01	Mechanical seal	1	1
59	436 10 00	Ring	1	1
169	667 40 00	Sticker	2	2
215	82 40 61	Plain washer (10)-22 MM		1
215	82 40 62	Plain washer (24)-26 MM		1
215	82 40 81	Plain washer (14)-20 MM	4	
215	82 40 82	Plain washer (20)-32 MM	4	

Drive Unit

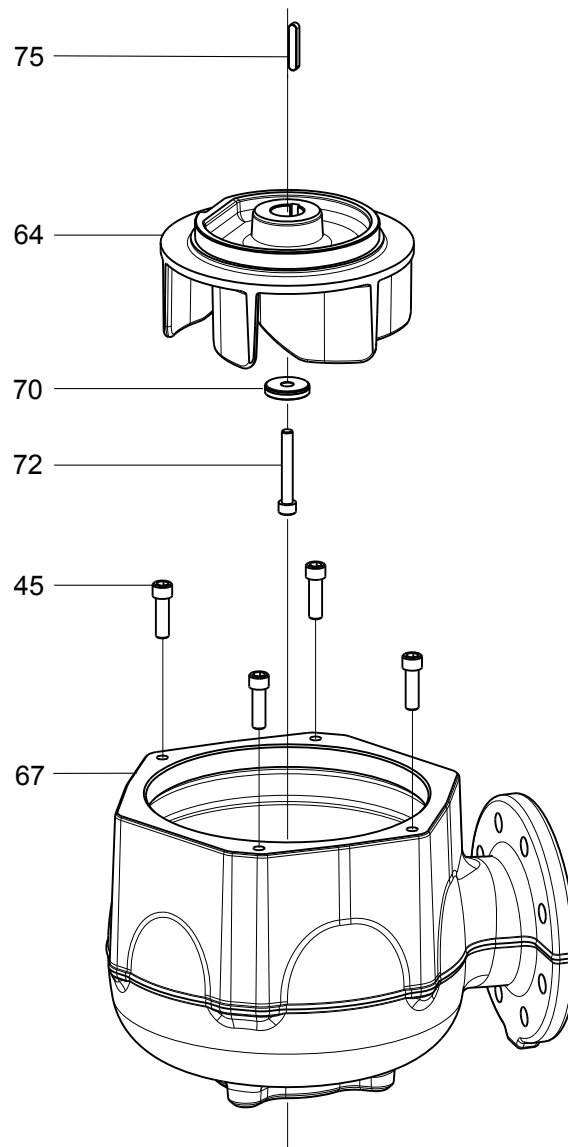
Pos. No	Part. No	Denomination	Qty/Version	
			090	180
216	84 17 92	Seal sleeve (14)-16 MM		1
216	84 17 93	Seal sleeve (16)-18 MM		1
216	84 17 95	Seal sleeve (20)-22 MM		1
216	84 18 00	Seal sleeve (14)-17 MM	2	
216	84 18 01	Seal sleeve (17)-20 MM	2	
216	84 18 02	Seal sleeve (20)-23 MM	2	
217	678 58 16 (Ex)	Cable clip (14)-16 MM		1
217	678 58 18 (Ex)	Cable clip (16)-18 MM		1
217	678 58 24 (Ex)	Cable clip (22)-24 MM		1
218	597 98 02	Ring	1	

Hydraulic Unit

D_MT

Curve: 431, 433

DP/DS 8213 MT (flange)

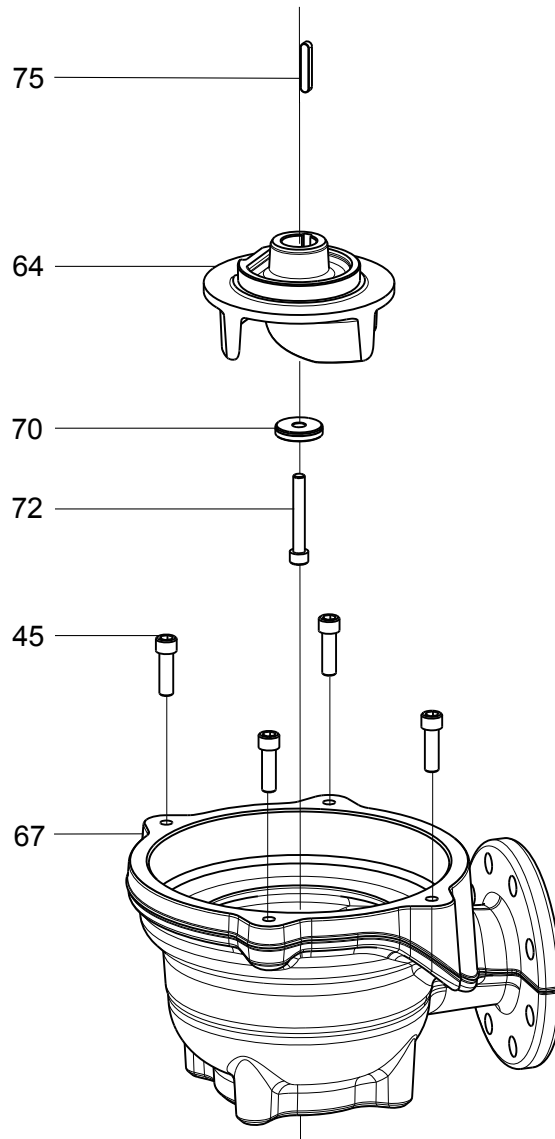


31448

D_HT

Curve: 251, 253, 451, 453

DP/DS 8213 HT (flange)

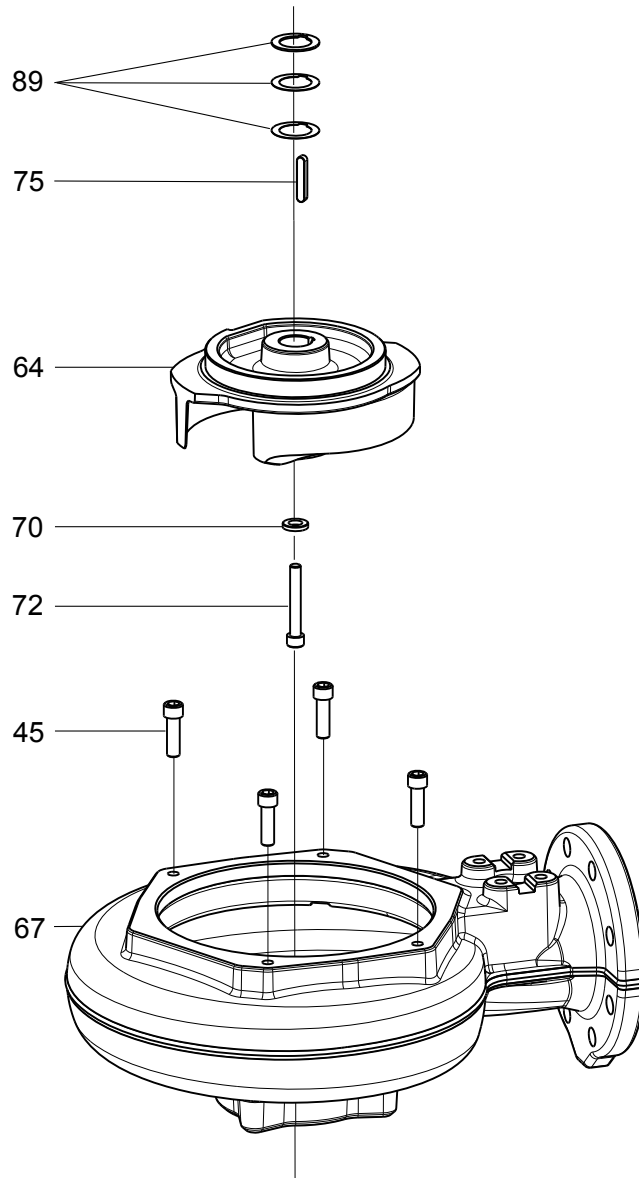


31447

K_HT

Curve: 441, 443

KP/KS 8213 HT (flange)

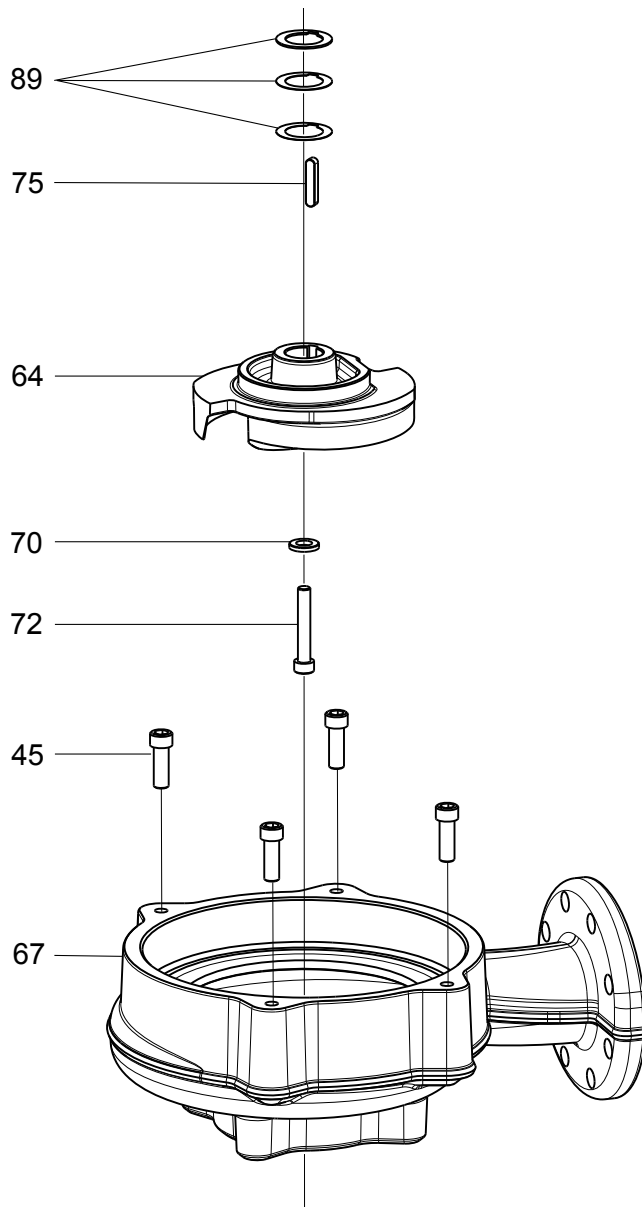


31446

K_SH

Curve: 261, 263

KP/KS 8213 SH (flange)



31445

List of parts

Pos. No	Part. No	Denomination	Qty/Version		
			090	180	
64	722 34 01	Impeller	K-"SH" Super high head. Curve: 261, 50Hz, 3-phase.	1	1
64	722 34 13	Impeller	K-"SH" Super high head. Curve: 263, 50Hz, 3-phase.	1	1
64	733 11 04	Impeller	D-"HT" High head. Curve: 251, 451, 50Hz, 3-phase.	1	1
64	733 11 13	Impeller	D-"HT" High head. Curve: 253, 453, 50Hz, 3-phase.	1	1
64	733 12 14	Impeller	D-"MT" Medium head. Curve: 431, 50Hz, 3-phase.	1	1
64	733 12 33	Impeller	D-"MT" Medium head. Curve: 433, 50Hz, 3-phase.	1	1
64	733 58 02	Impeller	K-"HT" High head. Curve: 441, 50Hz, 3-phase.	1	1
64	733 58 19	Impeller	K-"HT" High head. Curve: 443, 50Hz, 3-phase.	1	1
67	722 31 01	Pump housing	K-"HT" High head. DN100, drilled to EN1092-2 tab.9.	1	1
67	733 30 01	Pump housing	K-"SH" Super high head. DN80, drilled to EN1092-2 tab.9.	1	1
67	733 31 01	Pump housing	D-"HT" High head. DN100, drilled to EN1092-2 tab.9.	1	1
67	733 32 01	Pump housing	D-"MT" Medium head. DN100, drilled to EN1092-2 tab.9.	1	1
70	82 38 00	Plain washer STAINLESS STEEL A4	For K-impellers.	1	1
70	338 13 01	Plain washer	For D-impellers.	1	1
72	83 03 51	Hex.socket hd screw M12X55-A4-70		1	1
72	84 42 54	Hex.socket hd screw MC6S 12X40-2343		1	1
75	80 70 63	Parallel key SMS 2306-8H9X7H11X45		1	1
89	298 62 01	Washer 1.5 MM		1	1
89	298 62 02	Washer	0.5mm	1	1

Service Parts

List of parts

Pos. No	Part. No	Denomination	Qty/Version	
			090	180
800	82 97 05	O-ring kits	1	1
813	752 49 50	Cable kit	1	1
813	752 49 60	Cable kit	1	1
900	750 90 00	Basic repair kit	1	1
901	90 17 52	Oil	*	*

Xylem |'zīləm|

- 1) The tissue in plants that brings water upward from the roots
- 2) A leading global water technology company

We're 12,500 people unified in a common purpose: creating innovative solutions to meet our world's water needs. Developing new technologies that will improve the way water is used, conserved, and re-used in the future is central to our work. We move, treat, analyze, and return water to the environment, and we help people use water efficiently, in their homes, buildings, factories and farms. In more than 150 countries, we have strong, long-standing relationships with customers who know us for our powerful combination of leading product brands and applications expertise, backed by a legacy of innovation.

For more information on how Xylem can help you, go to xylem.com



Xylem Water Solutions AB
Gesällvägen 33
174 87 Sundbyberg
Sweden
Tel. +46-8-475 60 00
Fax +46-8-475 69 00
<http://tpi.xylem.com>

Visit our Web site for the latest version of this document and more information

The original instruction is in English. All non-English instructions are translations of the original instruction.

© 2012 Xylem Inc.