

GLS/V 65-32-253

GLS/V 65-42-253

GLS/V 80-32-253

GLS/V 80-42-253

GLS/V 100-24-453

GLS/V 100-31-453

Flygt 8212.090/180

Table of Contents

Introduction...	2
Purpose of this manual.....	2
Disclaimer.....	2
Data for ordering spare parts.....	2
Specially approved products.....	2
Qualification of personnel.....	2
Dimensional accuracy inspection.....	2
Product Description.....	3
The data plate.....	3
Approvals.....	4
Product approvals for hazardous locations.....	4
EN approval plate.....	4
Product denomination.....	4
Marketing denomination.....	5
Drive Unit.....	6
Standard.....	6
Explosion-proof.....	7
List of parts.....	8
Hydraulic Unit.....	11
D_ MT.....	11
D_ HT.....	12
K_ MT.....	13
K_ SH.....	14
List of parts.....	15
Service Parts.....	16
List of parts.....	16

Introduction

Purpose of this manual

The purpose of this manual is to provide necessary information on spare parts and accessories order.

Disclaimer

Always use genuine Flygt parts. The use of other spare parts or accessories can invalidate any claims for warranty or compensation. Xylem does not take any responsibility for damages that are caused by the use of non-original parts. For more information, please contact your local sales and service representative.

Data for ordering spare parts

The following information is needed for spare part orders:

- Serial number of the product
- Part number
- Quantity of bulk material, see * in tables

Specially approved products

Qualification of personnel

Only Xylem or Xylem-authorized service personnel may undertake repair work on Ex-approved products.

Dimensional accuracy inspection

Spare parts marked with (Ex) after the part number are subject to dimensional accuracy inspection.

Product Description

The data plate

The data plate is a metal label that is located on the main body of the products. The data plate lists key product specifications. Specially approved products also have an approval plate.

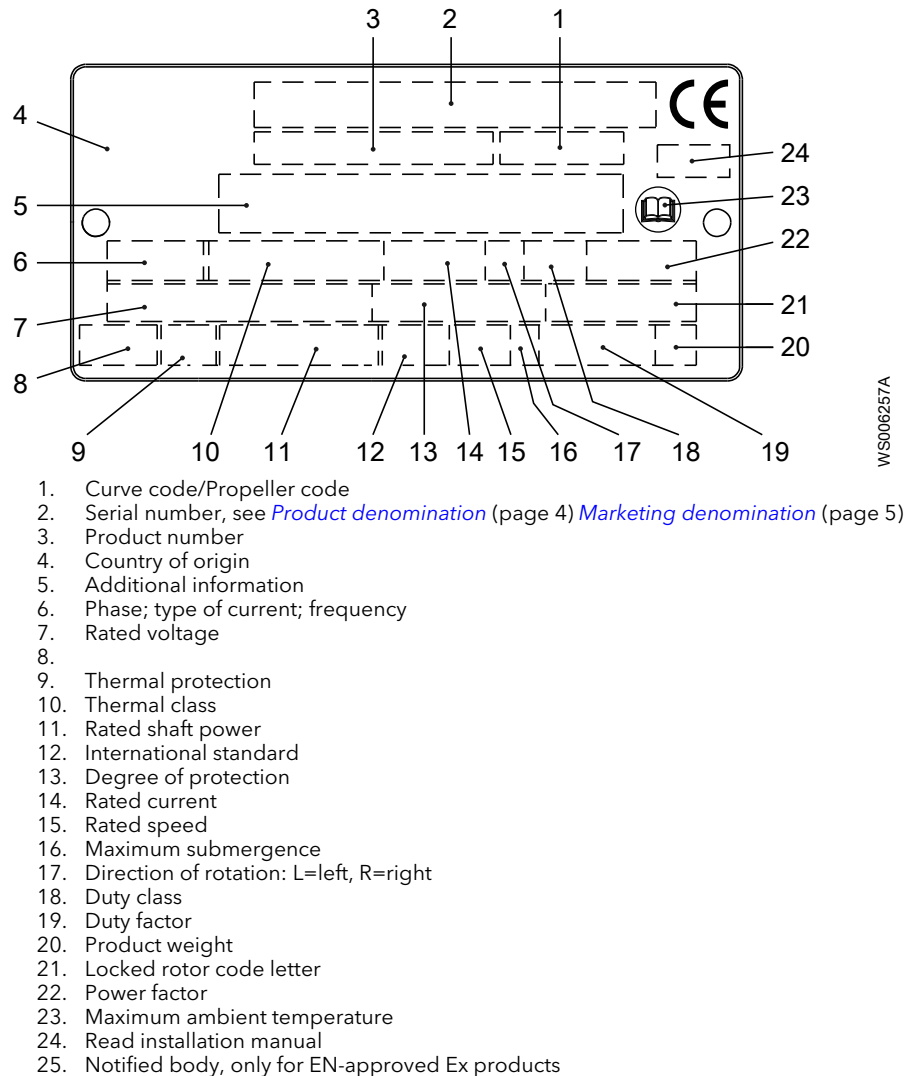




Figure 1: The data plate

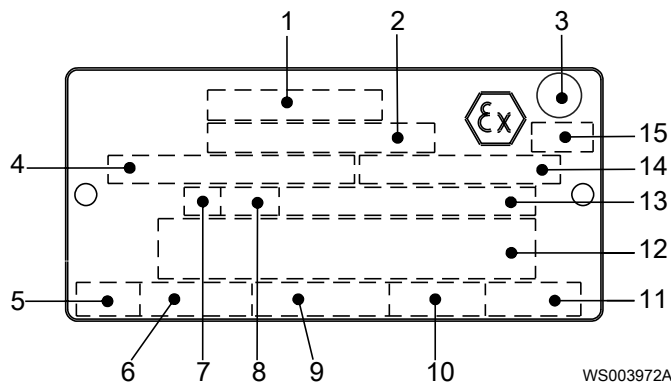
Approvals

Product approvals for hazardous locations

Pump	Approval
<ul style="list-style-type: none"> • 8211.090 • 8212.090 • 8213.090 	European Norm (EN) <ul style="list-style-type: none"> • ATEX Directive • EN 60079-0, EN 60079-1, EN 1127-1 <ul style="list-style-type: none"> •  II 2 G Ex d IIB T4
	EN approval for cable entry: <ul style="list-style-type: none"> • Certificate number: INERIS 02ATEX9008 U <ul style="list-style-type: none"> •  II 2 G Ex d IIC or IM2 Ex d I

EN approval plate

This illustration describes the EN approval plate and the information that is contained in its fields.



1. Approval
2. Approval authority and Approval number
3. Approval for Class I
4. Approved for drive unit
5. Stall time
6. Starting current/Rated current
7. Duty class
8. Duty factor
9. Input power
10. Rated speed
11. Controller
12. Additional information
13. Maximum ambient temperature
14. Serial number
15. ATEX marking

Product denomination

Reading instruction

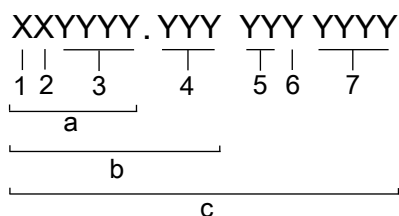
In this section, code characters are illustrated accordingly:

X = letter

Y = digit

The different types of codes are marked up with a, b and c. Code parameters are marked up with numbers.

Codes and parameters



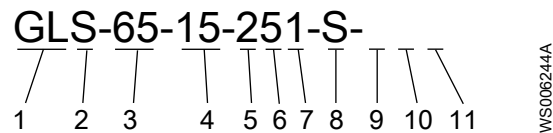
WS006265B

Type of Callout	Number	Indication
Type of code	a	Sales denomination
	b	Product code
	c	Serial number
Parameter	1	Hydraulic end
	2	Type of installation
	3	Sales code
	4	Version
	5	Production year
	6	Production cycle
	7	Running number

Marketing denomination

The marketing code consists of 11 parts.

This is an example of a marketing code, and an explanation of its parts.



1. Name of series
2. Type of impeller
3. Nominal diameter of discharge (mm)
4. Shaft power P₂x10 (kW)
5. Number of poles in the stator
6. Motor frequency (Hz/10)
7. Number of phases
8. Connection

Blank flange coupling
P guide rail installation

S threaded coupling

9. Voltage

Blank 400V, 230V
A 380V, 220V
B 415V, 240V

10. Pump version

Blank Standard
X Ex proof motor

11. Cable length

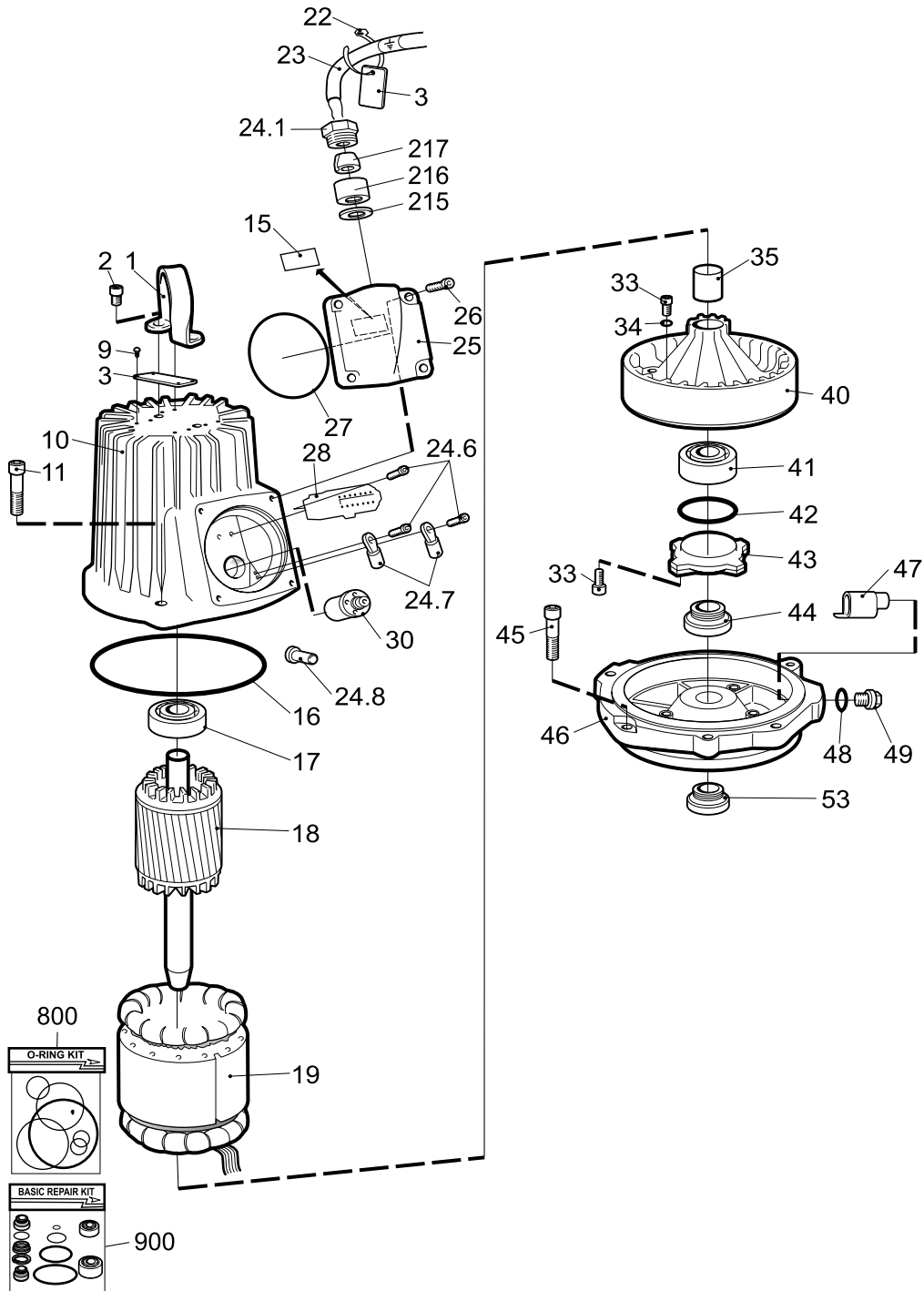
Blank 10 meters cable
2 20 meters cable

Figure 2: Marketing code

Drive Unit

Standard

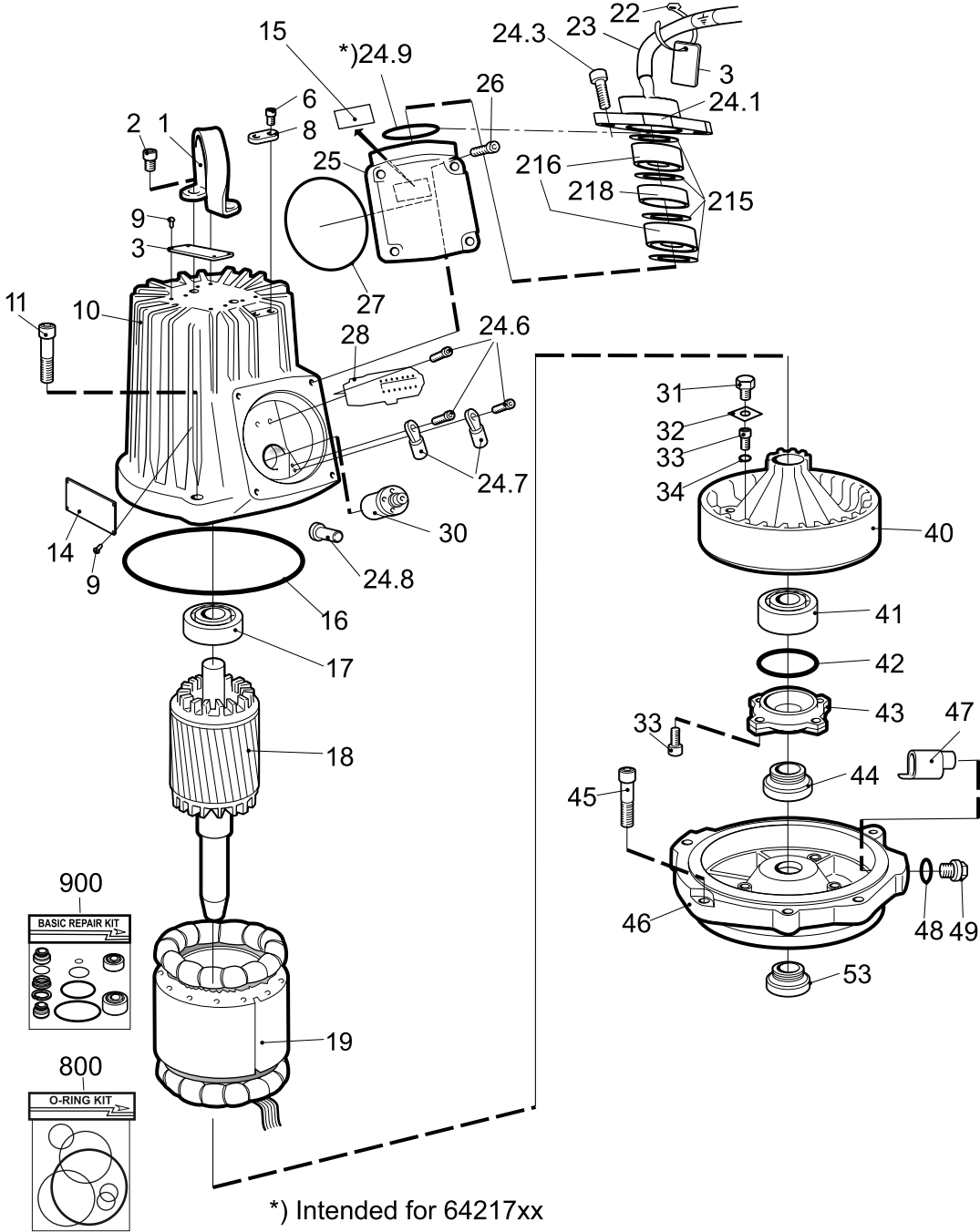
8212.180



31438

Explosion-proof

8212.090



31437

List of parts

Pos. No	Part. No	Denomination	Qty/Version		
			090	180	
1	477 11 01	Lifting handle	1	1	
2	83 03 21	Hex.socket hd screw M10X20-A4-70	2	2	
3	630 68 00	Data plate USE 6306801 AS SPARE PART	Flygt logo	2	2
3	630 68 06	Data plate	Lowara	2	2
6	83 02 58	Hex.socket hd screw M5X12-A4-70	2		
8	279 29 00	Earthing plate	1		
9	82 20 88	Drive screw 4X5-A2-70	4	4	
10	439 31 00	Stator housing		1	
10	439 31 03 (Ex)	Stator housing	1		
11	83 03 51	Hex.socket hd screw M12X55-A4-70	3	3	
14	630 69 00	Certificate plate EX	Flygt logo	2	
14	630 69 02	Certificate plate	Xylem logo	2	
15	772 17 00	Connection plate		1	1
16	82 74 93	O-ring 199.3X5.7 NBR		1	1
17	83 33 14	Ball bearing 6305 25X62X17		1	1
18	439 35 03	Shaft unit	For motor 18-11-4		1
18	439 38 05	Shaft unit	For motor 18-10-2		1
18	444 75 02 (Ex)	Shaft unit	For motor 18-11-4	1	
18	444 76 04	Shaft unit	For motor 18-10-2	1	
19	310 11 61 (Ex)	Stator 18-11-4a	3-phase, 50Hz, 380VD	1	1
19	310 11 67 (Ex)	Stator 18-11-4a	3-phase, 50 Hz, 400 - 440 VD.	1	1
19	344 86 61 (Ex)	Stator 18-10-2a	3-phase, 50Hz, 380VD	1	1
19	344 86 67 (Ex)	Stator 18-10-2a	3-phase, 50Hz, 400 - 440VD	1	1
22	83 45 59	Cable tie 200X2.4 PA 6/6 -55+105		1	1
23	94 20 59	Motor cable subcab 4G2.5+2X1.5 OD = 17-18 MM		*	*
23	94 20 61	Motor cable subcab 4G1.5+2X1.5 OD=15-16		*	*
23	94 20 82	Motor cable subcab 7G2.5+2X1.5 MM2 OD=20-22		*	*
24.1	397 81 00 (Ex)	Gland screw FOR CABLE ENTRY			1
24.1	642 17 01 (Ex)	Entrance flange		1	
24.3	83 03 48	Hex.socket hd screw M12X40-A4-70		2	
24.6	82 17 61	Cutting screw TAPTITE-M6X12		3	3
24.7	83 43 58	Cable lug INSUL.UL/CSA 1.04-2.6 MM2		1	1
24.8	83 44 23	Closed end splice 5.1-10.6;(AWG 18-8) L=38		2	2

Pos. No	Part. No	Denomination	Qty/Version	
			090	180
24.9	82 74 63	O-ring 49.5X3 NBR	1	
25	443 50 03 (Ex)	Entrance cover	1	
25	443 51 00	Entrance cover		1
26	83 04 45	Hex.socket hd screw M8X35-A4-80	4	4
27	82 74 79	O-ring 129.5X3 NBR	2	2
28.1	83 53 21	Terminal clamp	6	6
28.3	83 53 22	End plate APPA - 11796	1	1
28.6	83 53 31	End support 35X15	2	2
28.7	443 68 00	Rail 35X15	1	1
28.8	471 77 01	Marking strip	2	2
28.9	427 13 00	Marking tape 8129 HIGH TACK/---	1	
30	734 59 00	El.lead through unit	1	1
31	439 44 01 (Ex)	Screw M14X1.25	3	
32	596 07 00	Square washer	3	
33	82 17 64	Cutting screw TAPTITE-M6X20	7	7
34	82 50 60	Sealing washer DUBO NR 301	3	3
35	439 42 00	Sleeve		Length = 44.5mm 1
35	439 42 01	Sleeve		Length = 59.5mm 1
40	439 33 10	Bearing holder		1
40	439 33 11 (Ex)	Bearing holder EX.VERSION	1	
41	83 30 15	Ball bearing 3305A-2Z/C3VT113	1	1
42	82 74 65	O-ring 59.5X3 NBR	1	1
43	605 20 00	Bearing cover	1	1
44	592 01 08	Mechanical seal AL203/WCCR-TYPE O	1	1
45	83 04 53	Hex.socket hd screw M12X45-A4-80	4	4
46	439 32 02	Oil housing bottom	1	1
47	443 49 00	Sleeve	1	1
48	82 73 90	O-ring 19.2X3 NBR	6	6
49	428 22 17	Inspection screw	2	2
53	592 01 06	Mechanical seal AL203/WCCR-TYPE O	1	1
169	667 40 00	Sticker	2	2
215	82 40 61	Plain washer (10)-22 MM		1
215	82 40 62	Plain washer (24)-26 MM		1
215	82 40 81	Plain washer (14)-20 MM	4	
215	82 40 82	Plain washer (20)-32 MM	4	
216	84 17 92	Seal sleeve (14)-16 MM		1
216	84 17 93	Seal sleeve (16)-18 MM		1
216	84 17 95	Seal sleeve (20)-22 MM		1

Drive Unit

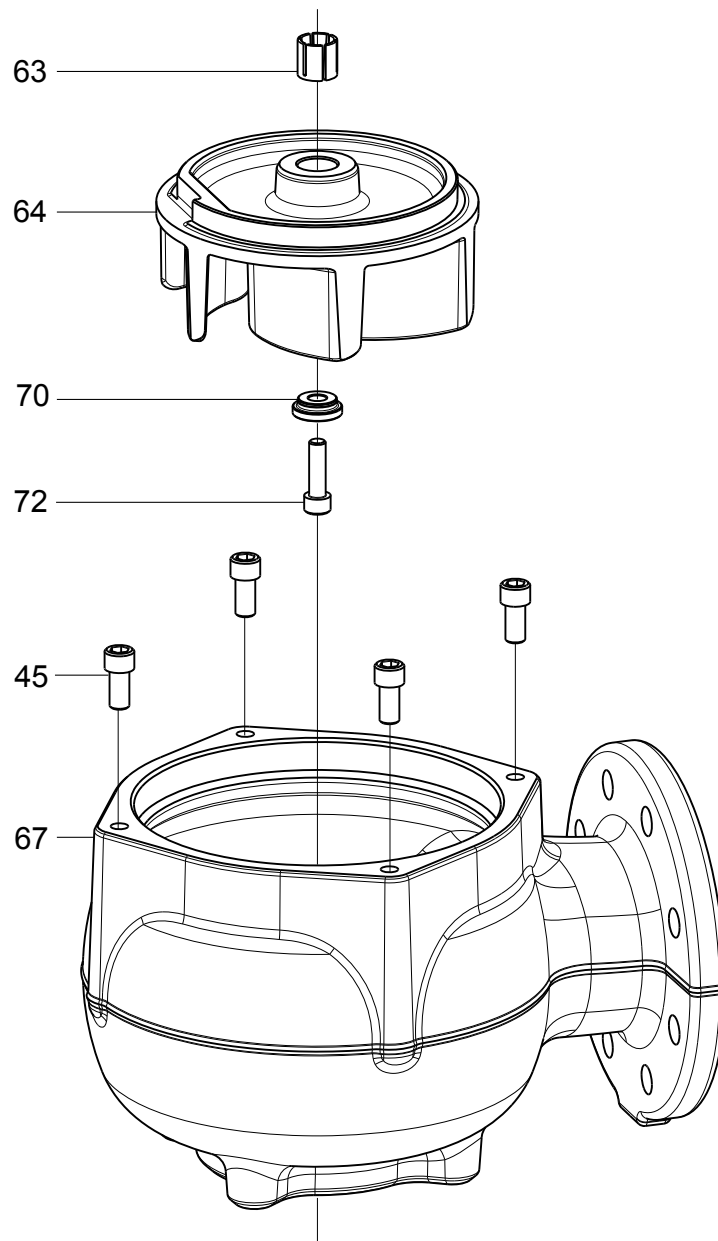
Pos. No	Part. No	Denomination	Qty/Version	
			090	180
216	84 18 00	Seal sleeve (14)-17 MM	2	
216	84 18 01	Seal sleeve (17)-20 MM	2	
216	84 18 02	Seal sleeve (20)-23 MM	2	
217	678 58 16 (Ex)	Cable clip (14)-16 MM		1
217	678 58 18 (Ex)	Cable clip (16)-18 MM		1
217	678 58 24 (Ex)	Cable clip (22)-24 MM		1
218	597 98 02	Ring	1	

Hydraulic Unit

D_MT

Curve: 431, 433

DP/DS 8212 MT (flange)

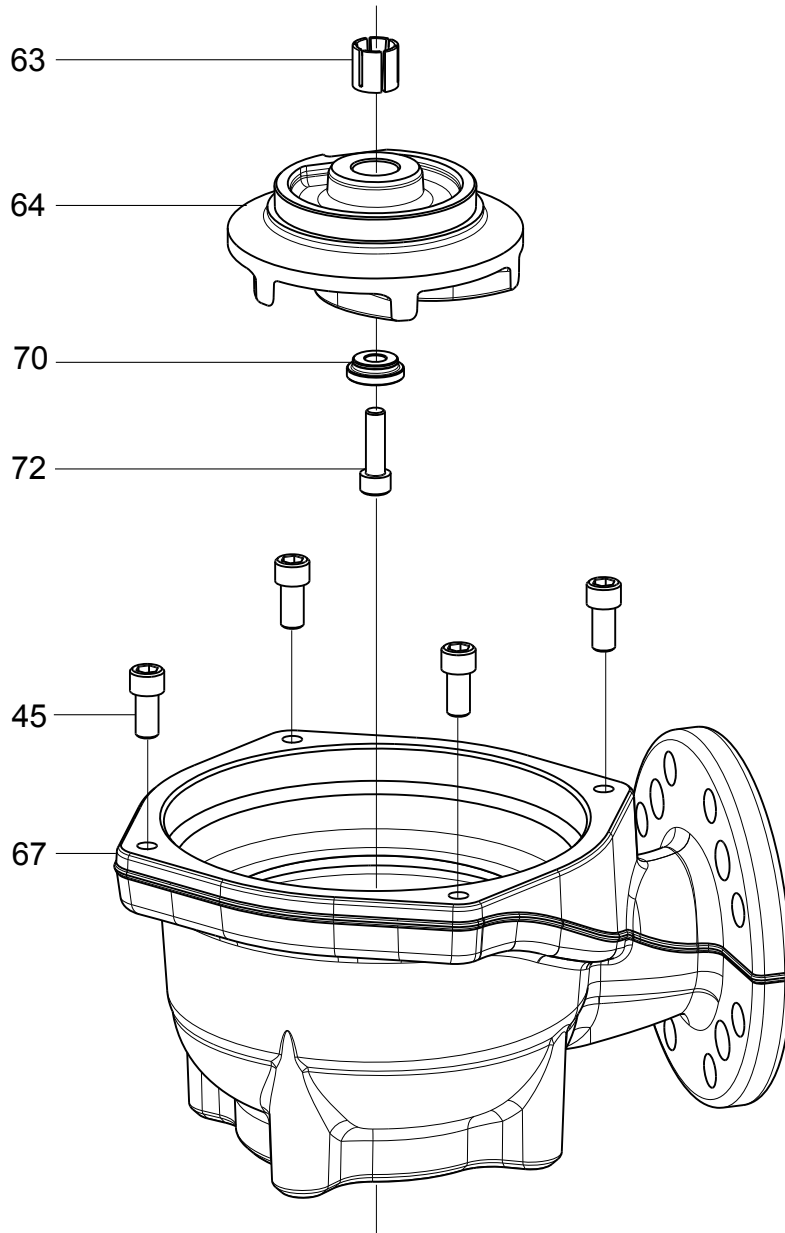


31442

D_HT

Curve: 251, 253

DP/DS 8212 HT (flange)

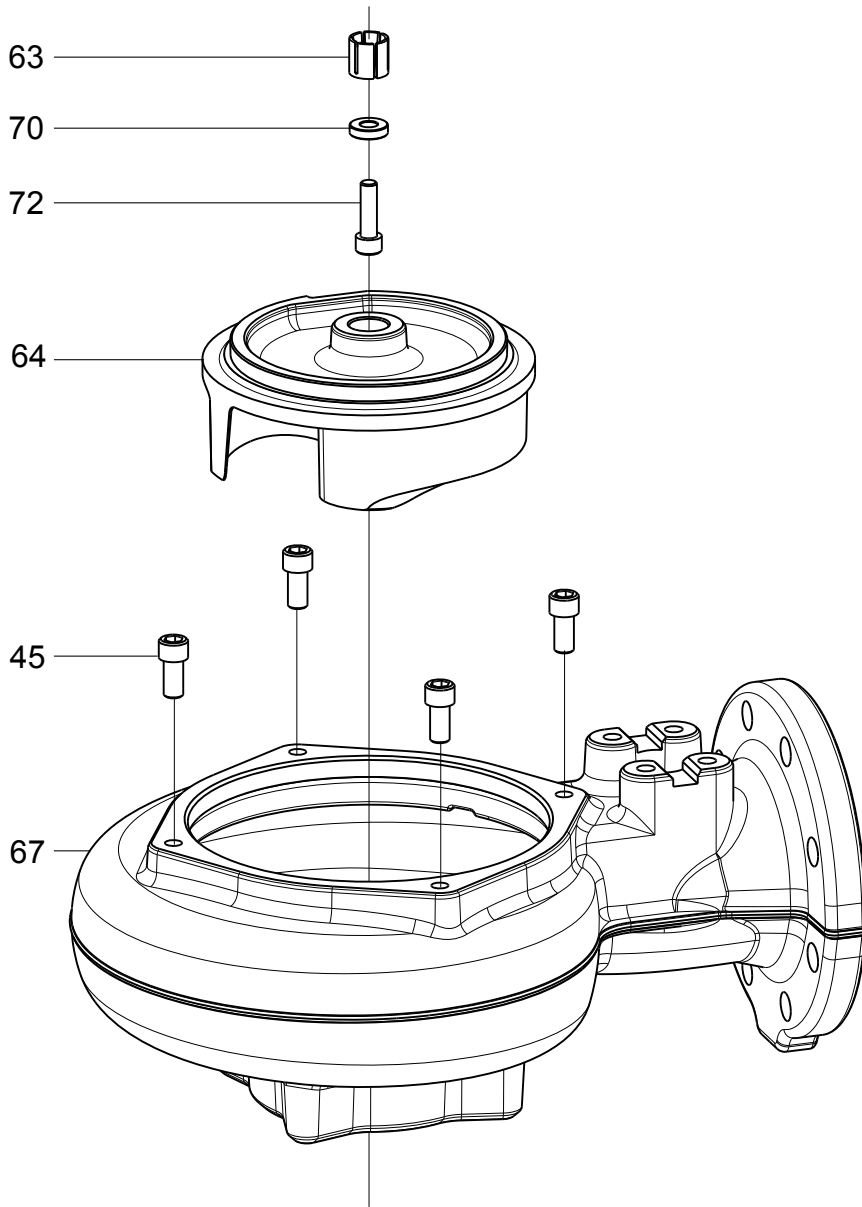


31441

K_ MT

Curve: 441, 443

KP/KS 8212 MT (flange)

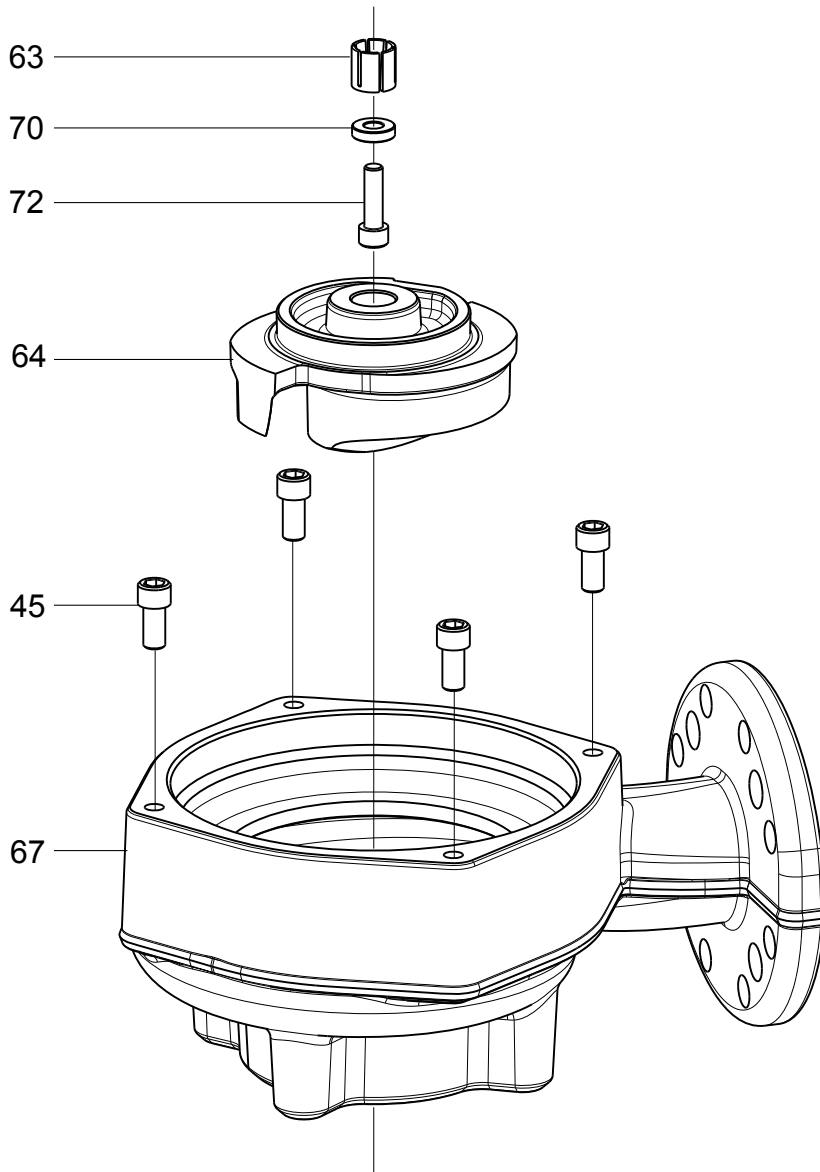


31440

K_ SH

Curve: 261, 263

KP/KS 8212 SH (flange)



31439

List of parts

Pos. No	Part. No	Denomination	Qty/Version		
			090	180	
63	439 41 00	Sleeve	1	1	
64	722 33 03	Impeller	K-"SH" Super high head. Curve: 261, 50Hz, 3-phase.	1	1
64	722 33 15	Impeller	K-"SH" Super high head. Curve: 263, 50Hz, 3-phase.	1	1
64	733 09 07	Impeller	D-"HT" High head. Curve: 251, 50Hz, 3-phase.	1	1
64	733 09 24	Impeller	D-"HT" High head. Curve: 253, 50Hz, 3-phase.	1	1
64	733 10 09	Impeller	D-"MT" Medium head. Curve: 431, 50Hz, 3-phase.	1	1
64	733 10 27	Impeller	D-"MT" Medium head. Curve: 433, 50Hz, 3-phase.	1	1
64	733 57 06	Impeller	K-"MT" Medium head. Curve: 441, 50Hz, 3-phase.	1	1
64	733 57 25	Impeller	K-"MT" Medium head. Curve: 443, 50Hz, 3-phase.	1	1
67	722 29 01	Pump housing	K-"MT" Medium head. DN100, drilled to EN1092-2 tab.9.	1	1
67	733 27 01	Pump housing	K-"SH" Super high head. DN80, drilled to EN1092-2 tab.9.	1	1
67	733 27 02	Pump housing	K-"SH" Super high head. DN65, drilled to EN1092-2 tab.9.	1	1
67	733 28 01	Pump housing	D-"HT" High head. DN80, drilled to EN1092-2 tab.9.	1	1
67	733 28 02	Pump housing	D-"HT" High head. DN65, drilled to EN1092-2 tab.9.	1	1
67	733 29 01	Pump housing	D-"MT" Medium head. DN100, drilled to EN1092-2 tab.9.	1	1
70	338 13 08	Plain washer		1	1
72	83 04 56	Hex.socket hd screw M10X35-A4-80		1	1

Service Parts

List of parts

Pos. No	Part. No	Denomination	Qty/Version	
			090	180
800	82 97 04	O-ring kits	1	1
813	752 49 50	Cable kit	1	1
813	752 49 60	Cable kit	1	1
900	750 89 00	Basic repair kit	1	1
901	90 17 52	Oil	1	1

Xylem |'zīləm|

- 1) The tissue in plants that brings water upward from the roots
- 2) A leading global water technology company

We're 12,500 people unified in a common purpose: creating innovative solutions to meet our world's water needs. Developing new technologies that will improve the way water is used, conserved, and re-used in the future is central to our work. We move, treat, analyze, and return water to the environment, and we help people use water efficiently, in their homes, buildings, factories and farms. In more than 150 countries, we have strong, long-standing relationships with customers who know us for our powerful combination of leading product brands and applications expertise, backed by a legacy of innovation.

For more information on how Xylem can help you, go to xylem.com



Xylem Water Solutions AB
Gesällvägen 33
174 87 Sundbyberg
Sweden
Tel. +46-8-475 60 00
Fax +46-8-475 69 00
<http://tpi.xylem.com>

Visit our Web site for the latest version of this document and more information

The original instruction is in English. All non-English instructions are translations of the original instruction.

© 2012 Xylem Inc.