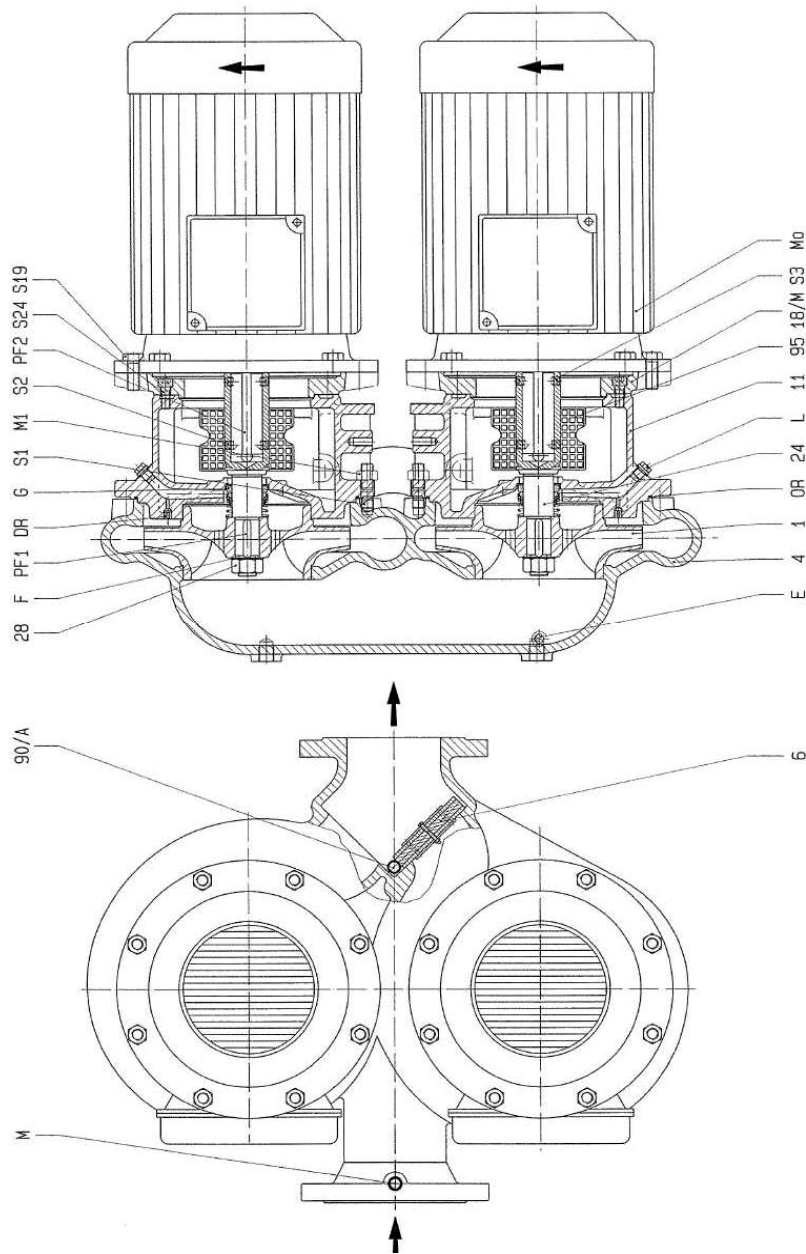


FCTS125 - FCTS150 LMZ125 - LMZ 150

ELP. with IE2 motor



Casing includes plugs and screws

B 1170. 1A701

Ref.	Descrizione it	Description en	Description fr	Beschreibung de	Descripción es	Descrição pt
G	Tenuta meccanica	Mechanical Seal	Garniture mécanique	Gleitringdichtung	Sello mecánico	Vedante mecânico
OR	Guarnizione OR	O-Ring	Joint torique	O-Ring	Aro tórico	Vedação OR
1	Girante	Impeller	Roue	Laufrad	Impulsor	Impulsor
24	Giunto, con dado girante e linguette	Coupling, with impellers nut and keys	Manchon, roue ecrou et clavettes	Kupplung mit Laufradmutter und Passfedern	Junta, impulsor tuerca y lenguetas	Junta, impulsor porca y linguetas
4	Corpo pompa	Pump Body	Corps de pompe	Pumpengehäuse	Caja bomba	Corpo da bomba
Mo	Motore	Motor	Moteur	Motor	Motor	Motor
6	Valvola a clapet	Clapet valve	Vanne à clapet	Scharnierventil	Válvula de clapeta	Válvula de clapet
90/A	Guarniz. valvola a clapet	Clapet valve gasket	Vanne à clapet joint	Scharnierventildichtung	Válvula de clapeta tórico	Válvula de clapet vedação
Ref.	Beschrijving nl	Περιγραφή el	Açıklama tr	Kuvaus fi	Описание ru	Opis pl
G	Mechanische asafdichting	Μηχανική στεγανοποίηση	Mekanik conta	Mekaaninen tiiviste	Механическая прокладка и	Uszczelnienie mechaniczne
OR	O-ringafdichting	τσιμούχα OR	O-Ring	O-rengas	Уплотнение OR	Uszczelka O-Ring
1	Waaier	στροφέιο	Rotoru	Juoksupyörä	турбинка	Wirnik
24	Waaierbevestigingsblok waaier moer spie	Αξονας, καρύδι στροφείων και κλειδιά	Kaplin, rotorunu sabitleme takımı (somun, ve kama)	Liitos, juoksupyörän kiinnitysmutteri ja välirengas	Вал, гайка турбинки и ключи	Sprzęgło, zespół mocujący wirnika (nakrętka , i wpust)
4	Omhulsel van pomp	Πλήρες σώμα αντλίας	Pompa gövdesi	Pumpun runko	Корпус насоса	Korpus pompy
Mo	Motor	Μηχανή	Motor	Motor	Мотор	Silnik
6	Terugslagklep	Βαλβίδα με κλαπέτο	Klapeli valf	Läppäventtiili	Клапан и вантуз	Zawór klapowy
90/A	Terugslagklep dichting	τσιμούχα βαλβίδα με κλαπέτο	Klapeli valf contası	Läppäventtiilin tiiviste	Уплотнение Клапан и вантуз	Uszczelka zawór klapowy

FCTS_FCTBS_125-150_EdA_A-desc-sc

FCTS4 125 - FCBTS4 125

	125-160/30	125-200/40	125-200/55	125-250/75	125-250/110
FCTS4	703421510	703421520	703421530	703421540	703421550
FCBTS4	703426510	703426520	703426530	703426540	703426550
ELP 3 ~, 4P, 50-> kW	3	4	5,5	7,5	11

Mechanical Seal, Dia. 40

* G	BQ1EGG	772240107	772240107	772240107	772240107	772240107	Version Std
	BQ1VGG	772240127	772240127	772240127	772240127	772240127	Version Other
	Q1Q1VGG	772240146	772240146	772240146	772240146	772240146	Version Other

Pump Casing O-Ring

* OR	EPDM	772230156	772230156	772230156	772230217	772230217	Version Std
	FPM	772230759	772230759	772230759	772230821	772230821	Version Other

Impeller

	Dia - Ø	174	196	213	242	270
* 1	FCTS4: Cast Iron	76015004A	76015005B	760150050	76015006C	760150060
	FCBTS4: Bronze	76012004A	76012005B	760120050	76012006C	760120060

Shaft with impeller nut and keys

24	FCTS4 - FCBTS4	743380010	743380010	743380030	743380030	743380040	Art. 24-28-PF
----	----------------	-----------	-----------	-----------	-----------	-----------	---------------

Pump Casing

4	FCTS4 - FCBTS4	743480070	743480080	743480080	743480090	743480090
---	----------------	-----------	-----------	-----------	-----------	-----------

Motor

	Motor Size	100	112	132	132	160
Mo	Motor P/N	107106661	107106681	107106711	107106721	772812159

Reversing Flap

6		713450010	713450020	713450020	713450010	713450010
---	--	-----------	-----------	-----------	-----------	-----------

Flap Gasket

90/A	Silicon	768560300	768560300	768560300	768560300	768560300
------	---------	-----------	-----------	-----------	-----------	-----------

P/N 70: Serial N. > 2006

Pump codes > 09/2007 have P/N with final 1 (casing and adaptor variation)

Incl. FHS / FCS / FCTS

* Recommended spare parts - Parti di ricambio consigliate

* Pièces détachées conseillées - Empfohlene Ersatzteile

** Motor spare parts: see motor lists - Parti di ricambio motore: vedi liste motore

** Pièces détachées Moteur : voir listes moteur - Motor-Ersatzteile: gem. Motorlisten

FCTS_FCBTS_125-150_5_Mar06_EdA

FCTS4 150 - FCBTS4 150

	150-200/55	150-200/75	150-250/110	150-250/150	150-250/185
FCTS4	703421560	703421570	703421590	703421600	703421610
FCBTS4	703426560	703426570	703426590	703426600	703426610
ELP 3 -,4P, 50 -> kW	5,5	7,5	11	15	18,5

Mechanical Seal

Standard CARBON/SIC/EPDM

	Dia.	50		40			
* G	BQ1EGG	772240110	772240110	772240107	772240107	772240107	Version Std
	BQ1VGG	772240131	772240131	772240127	772240127	772240127	Version Other
	Q1Q1VGG	772240149	772240149	772240146	772240146	772240146	Version Other

Pump Casing O-Ring

* OR	EPDM	772230157	772230157	772230217	772230217	772230217	Version Std
	FPM	772230760	772230760	772230821	772230821	772230821	Version Other

Impeller

	Dia - Ø	203	224	237	257	268
* 1	FCTS4: Cast Iron	76015009D	76015009A	76015011B	76015011A	760150110
	FCBTS4: Bronze	76012009D	76012009A	76012011B	76012011A	760120110

Shaft with impeller nut and keys

24	FCTS4 - FCTS4	743380070	743380070	743380040	743380040	743380050	Art. 24-28-PF
----	---------------	-----------	-----------	-----------	-----------	-----------	---------------

Pump casing

4	FCTS4 - FCTS4	743480100	743480100	743480110	743480110	743480110
---	---------------	-----------	-----------	-----------	-----------	-----------

Motor

	Motor Size	132	132	160	160	180
Mo	Motor P/N	107106711	107106721	772812159	772812160	772812161

Reversing Flap

6		713450030	713450030	713450030	713450030	713450030
---	--	-----------	-----------	-----------	-----------	-----------

Flap Gasket

90/A	Silicon	768560700	768560700	768560700	768560700	768560700
------	---------	-----------	-----------	-----------	-----------	-----------

Pump codes > 09/2007 have P/N with final 1 (casing and adaptor variation)

Incl. FHS / FCS / FCTS

* Recommended spare parts - Parti di ricambio consigliate

* Pièces détachées conseillées - Empfohlene Ersatzteile

** Motor spare parts: see motor lists - Parti di ricambio motore: vedi liste motore

** Pièces détachées Moteur : voir listes moteur - Motor-Ersatzteile: gem. Motorlisten

FCTS FCBTS 125-150 5 Mar06 EdA