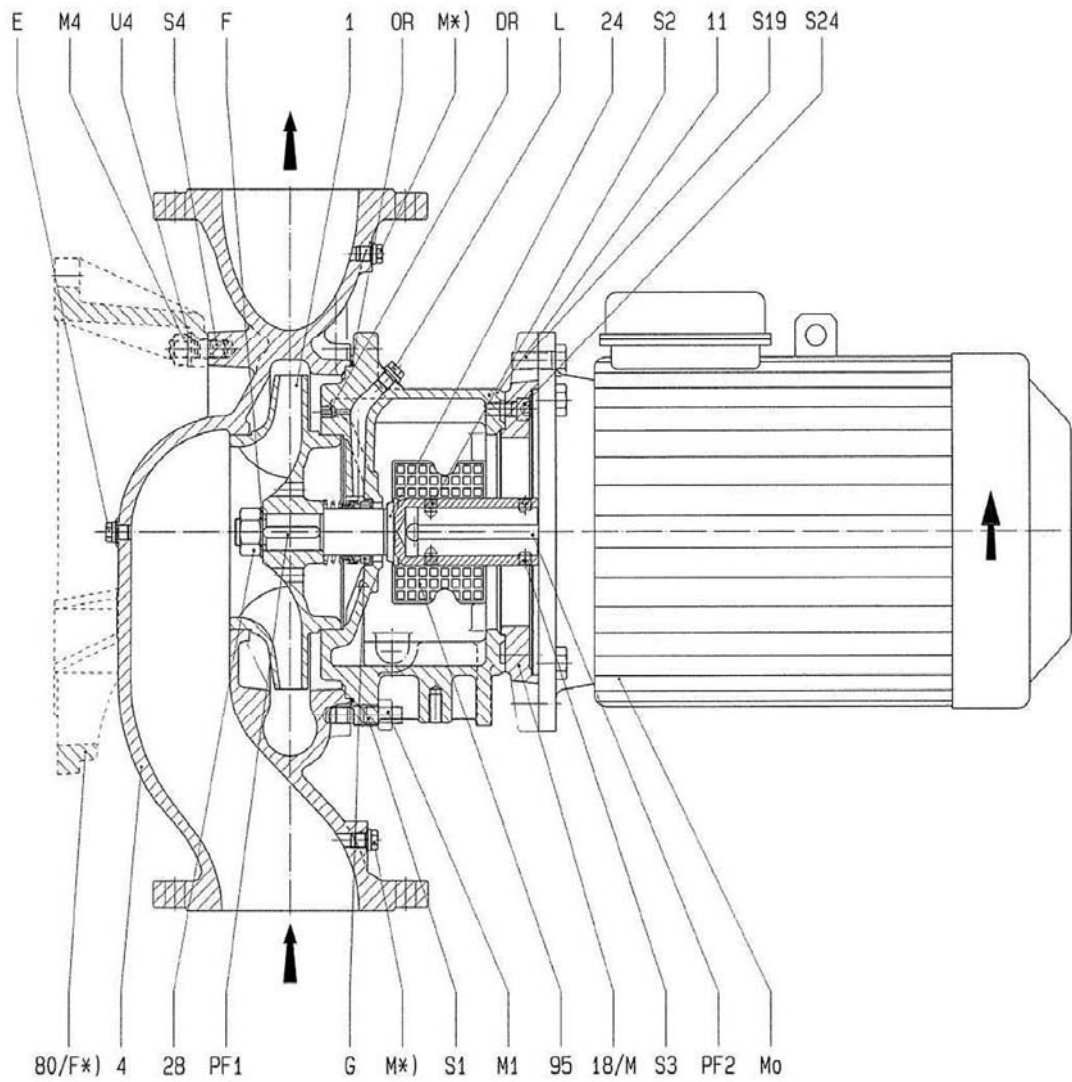


FCS 125-150 LMR 125-150 (IE2)



B 1130. 1A704

Casing includes plugs and screws

Ref.	Descrizione it	Description en	Description fr	Beschreibung de	Descripción es	Descrição pt
G	Tenuta meccanica	Mechanical Seal	Garniture mécanique	Gleitringdichtung	Sello mecánico	Vedante mecânico
OR	Guarnizione OR	O-Ring	Joint torique	O-Ring	Aro tórico	Vedação OR
1	Girante	Impeller	Roue	Lauftrad	Impulsor	Impulsor
24	Giunto, con dado girante e linguette	Coupling, with impellers nut and keys	Manchon, roue ecrou et clavettes	Kupplung mit Laufradmutter und Passfedern	Junta, impulsor tuerca y lenguetas	Junta, impulsor porca y linguetas
4	Corpo pompa	Pump Body	Corps de pompe	Pumpengehäuse	Caja bomba	Corpo da bomba
Mo	Motore	Motor	Moteur	Motor	Motor	Motor
Ref.	Beschrijving nl	Περιγραφή el	Açıklama tr	Kuvaus fi	Описание ru	Opis pl
G	Mechanische asafdichting	Μηχανική στεγανοποίηση	Mekanik conta	Mekaaninen tiiviste	Механическая прокладка и	Uszczelnienie mechaniczne
OR	O-ringafdichting	τσιμούχα OR	O-Ring	O-rengas	Уплотнение OR	Uszczelka O-Ring
1	Waaier	στροφέιο	Rotoru	Juoksuyöörä	турбинка	Wirnik
24	Waaierbevestigingsblok waaier moer en spie	Αξονας, καρύδι στροφείων και κλειδιά	Kaplin, rotorunu sabitleme takımı (somon, ve kama)	Liitos, juoksuyöörän kiinnitysmutteri ja välirengas	Вал, гайка турбинки и ключи	Sprzęgło, zespół mocujący wirnika (nakrętka , i wpust)
4	Omhuysel van pomp	Πλήρες σώμα αντλίας	Pompa gövdesi	Pumpun runko	Корпус насоса	Korpus pompy
Mo	Motor	Μηχανή	Motor	Motor	Мотор	Silnik

FCS_FCBS_125-150_EdA_A-desc-sc

FCS4 125 - FCBS4 125

	125-160/30/P	125-200/40/P	125-200/55/P	125-250/75/P	125-250/110/P	125-315/150/P	125-315/185	125-315/220
FCS4 ->	703411512	703411522	703411532	703411542	703411552	703411562	703411572	703411582
FCBS4 ->	703416512	703416522	703416532	703416542	703416552	703416562	703416572	703416582
ELP 3 ~,4P, 50 -> kW	3	4	5,5	7,5	11	15	18,5	22
400/690V	PLM B5						W22 B5	

Mechanical Seal, Dia. 40

* G		772240107	772240107	772240107	772240107	772240107	772240107	772240107	772240107	Version STD
	BQ1EGG	772240107	772240107	772240107	772240107	772240107	772240107	772240107	772240107	Version STD
	BQ1VGG	772240127	772240127	772240127	772240127	772240127	772240127	772240127	772240127	Version Other
	Q1Q1VGG	772240146	772240146	772240146	772240146	772240146	772240146	772240146	772240146	Version Other

Pump Casing O-Ring

* OR		772230156	772230156	772230156	772230217	772230217	772230220	772230220	772230220	STD Version
	EPDM	772230156	772230156	772230156	772230217	772230217	772230220	772230220	772230220	STD Version
	FPM	772230759	772230759	772230759	772230821	772230821	772230824	772230824	772230824	Version Other

Impeller

	Dia - Ø	174	196	213	242	270	291	305	319
* 1	FCS4: Cast Iron	76015004A	76015005B	760150050	76015006C	760150060	76015007C	76015007B	76015007A
	FCBS4: Bronze	76012004A	76012005B	760120050	76012006C	760120060	76012007C	76012007B	76012007A

Shaft with impeller nut and keys

24	FCS4 - FCBS4	743380010	743380010	743380030	743380030	743380040	743380040	743380050	743380050	Art. 24-28-PF
		743380010	743380010	743380030	743380030	743380040	743380040	743380050	743380050	Art. 24-28-PF

Pump Casing

		160	200	200	250	250	315	315	315
4	FCS4 - FCBS4	743480010	743480020	743480020	743480030	743480030	743480040	743480040	743480040

Motor

	Size	4-100	4-112	4-132	4-132	4-160	4-160	180M4	180L4
Mo	P/N	50011RB00	50015VB00	50020VB00	50021VB00	50027VB00	50028VB00	772818164	772818165

Note. Motors with International Energy Efficiency Class IE2 according CE Standard 640/2009

* Recommended spare parts - Parti di ricambio consigliate

* Pièces détachées conseillées - Empfohlene Ersatzteile

** Motor spare parts: see motor lists - Parti di ricambio motore: vedi liste motore

** Pièces détachées Moteur : voir listes moteur - Motor-Ersatzteile: gem. Motorlisten

FCS_FCBS_125-150_5_June11_EdB

FCS4 150/P - FCBS4 150/P

	150-200/55/P	150-200/75/P	150-200/110/P	150-250/110/P	150-250/150/P	150-250/185
FCS4 ->	703411592	703411602	703411612	703411622	703411632	703411642
FCBS4 ->	703416592	703416602	703416612	703416622	703416632	703416642
ELP 3 ~,4P,50 -> kW	5,5	7,5	11	11	15	18,5
400/690V	PLM B5					W22 B5

Mechanical Seal

	Dia.	50			40			
* G	BQ1EGG	772240110	772240110	772240110	772240107	772240107	772240107	Version STD
	BQ1VGG	772240131	772240131	772240131	772240127	772240127	772240127	Version Other
	Q1Q1VGG	772240149	772240149	772240149	772240146	772240146	772240146	Version Other

Pump Casing O-Ring

* OR	EPDM	772230157	772230157	772230157	772230217	772230217	772230217	Version STD
	FPM	772230760	772230760	772230760	772230821	772230821	772230821	Version Other

Impeller

	Dia - Ø	203	224	224	237	257	268
* 1	FCS4: Cast Iron	76015009D	76015009A	76015009A	76015011B	76015011A	760150110
	FCBS4: Bronze	76012009D	76012009A	76012009A	76012011B	76012011A	760120110

Shaft with impeller nut and keys

24	FCS4 - FCBS4	743380070	743380070	743380070	743380040	743380040	743380050	Art. 24-28-PF
----	--------------	-----------	-----------	-----------	-----------	-----------	-----------	---------------

Pump casing

		200	200	200	250	250	250
4	FCS4 - FCBS4	743480050	743480050	743480050	743480060	743480060	743480060

Motor

	Size	4-132	4-132	4-132	4-160	4-160	180M4
Mo	P/N	50020VB00	50021VB00	50021VB00	50027VB00	50028VB00	772818164

Note. Motors with International Energy Efficiency Class IE2 according CE Standard 640/2009

* Recommended spare parts - Parti di ricambio consigliate

* Pièces détachées conseillées - Empfohlene Ersatzteile

** Motor spare parts: see motor lists - Parti di ricambio motore: vedi liste motore

** Pièces détachées Moteur : voir listes moteur - Motor-Ersatzteile: gem. Motorlisten

FCS_FCBS_125-150_5_June11_EdB