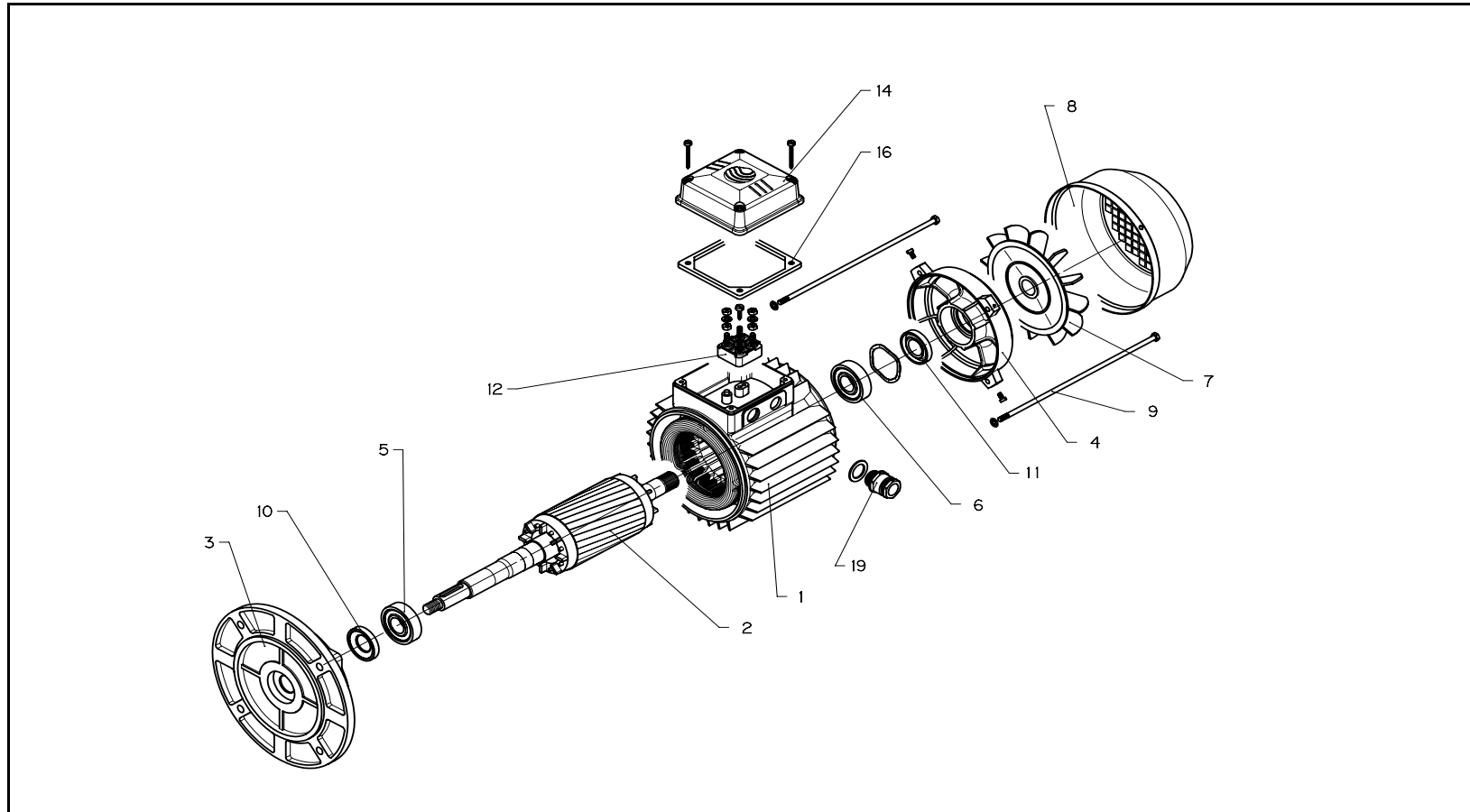


xylem

MOTORI LM B5 TRIFASE 4 POLI GRAND. 90 - 112 - FCE/FHE/SHE
THREE PHASE B5 LM MOTORS 4 POLE SIZE 90 - 112 - FCE/FHE/SHE



 **LOWARA**

- 255 /A-2 -

MOT_E_4P_3Ph_P(11-40)_5_Jan00_EdE.xls

ITEM N.	DESCRIZIONE	DESCRIPTION	Q.TA' Q.TY	CODICE - CODE					
				LM490B5S2/311	LM490B5S2/315	LM490B5S3/315	LM4100B5S3/322	LM4100B5S3/330	LM4112B5S3/340
				130647601	130647610	130647611	130647661	130647671	130647701
	Cassa motore con statore	Motor case with stator	1	140645560	140645570	140645810	140645820	140645830	
	Albero-rotore-cuscinetti	Shaft-rotor-bearings	1	155104061	155104071	155104080	155104110	155104120	155104140
	Flangia	Flange	1	151030040	151030060	151030070		151030100	
	Coperchio motore	Motor cover	1	154030020	154030030	154030050			
*	Cuscinetto ant.	Front bearing	1	002314005	002313307	002314006	002314106		
*	Cuscinetto post.	Rear bearing	1	002314005	002314006				
*	Ventola	Fan	1	140760200	140760210	140760220			
	Copriventola	Fan cover	1	164201910	164201950	164201960			
	Tirante	Tie rod	4	167101680	167101700	167102880			
*	Anello tenuta ant.	Front seal ring	1	002220722	002220735				
*	Anello tenuta post.	Rear seal ring	1	002220720	002220735				
	Morsettiera	Terminal board	1	158160210	158160120				
	Scatola morsettiera	Terminal box	1						
	Cop. scatola morsettiera	Terminal box cover	1	164060950	164030310				
	Condensatore	Capacitor	1						
	Guarniz. cop. scat. mors.	Terminal box cover gasket	1						
	Guarniz. scat. mors.	Terminal box gasket	1	168061440	168061160				
	Motoprotettore	Overload protection	1						
	Pressacavo	Cable entry	1	002858705	002858706				
	Tappo scarico condensa	Condensate drain plug	2	168460420					

* Parti di ricambio consigliate - Recommended spare parts