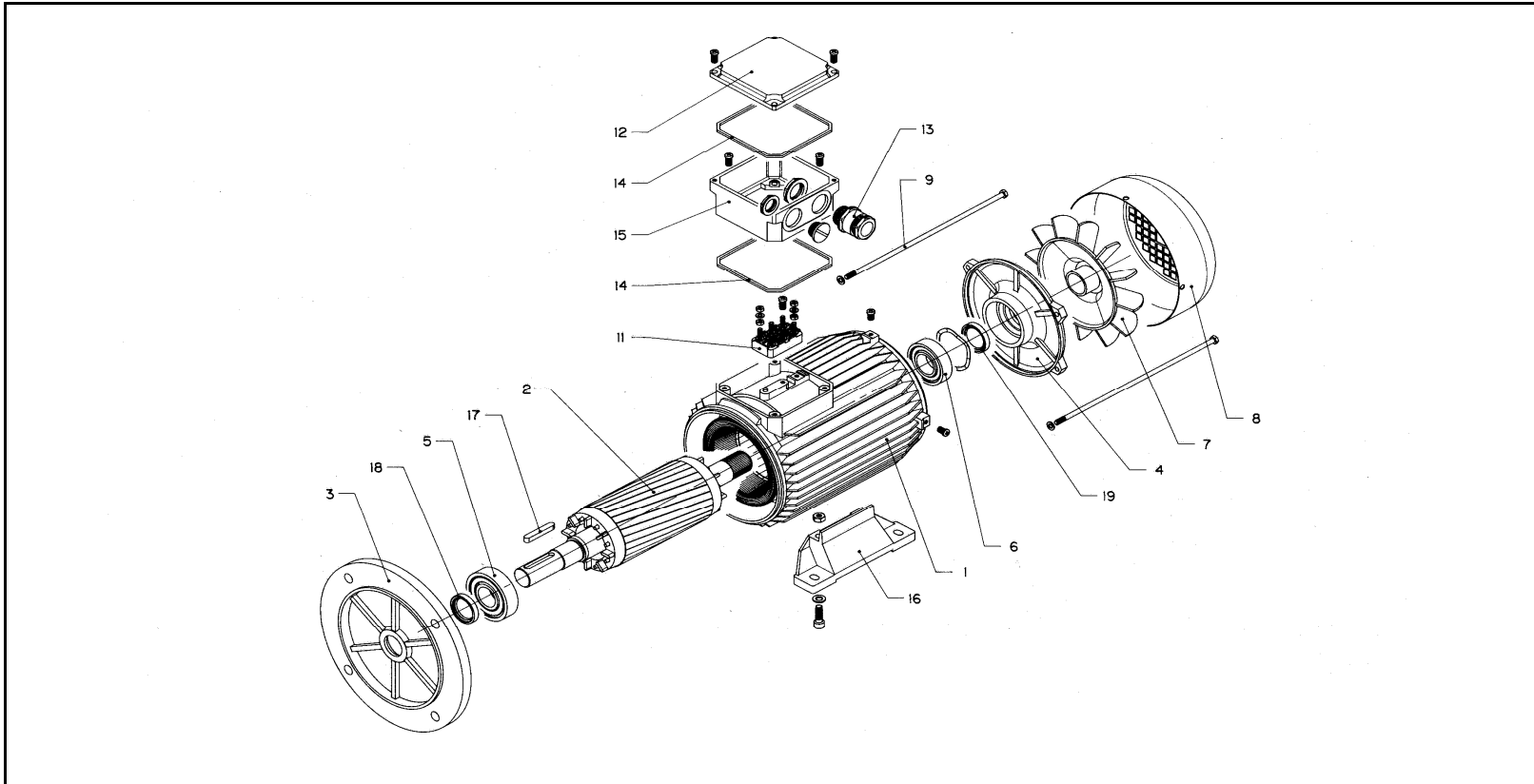


xylem

MOTORI B5 TRIFASE 4 POLI GRAND. 160-200 - FHS
THREE PHASE B5 MOTORS 4 POLE SIZE 160-200 - FHS



 **LOWARA**

- 265A/A -

ITEM N.	DESCRIZIONE	DESCRIPTION	Q.TA' Q.TY	CODICE - CODE				
				MA4-B5-11(A4C160M4)	MA4-B5-15(A4C160L4)	MA4-B5-18.5(A4C180M4)	MA4-B5-22(A4C180L4)	MA4-B5-30(A4C200L4)
				130643951	130643961	130643971	130643981	130643991
			11 kW	15 kW	18.5 kW	22 kW	30 kW	
1	Parti meccaniche ⁽¹⁾	Mechanical parts ⁽¹⁾	1	182220500	182220510	182220520	182220530	182220540
2	Albero -rotore	Shaft-rotor	1	182220550	182220560	182220570	182220580	182220590
3	Flangia	Flange	1	182650501	182220600	182650501	182220600	182650511
4	Coperchio motore	Motor cover	1	182650630			182650640	
* 5	Cuscinetto ant.	Drive end bearing	1	182651420 (6310 Z)				182651430 (6312 Z)
* 6	Cuscinetto post.	Not drive end bearing	1	182651400 (6209 Z)			182651410 (6210 Z)	
7	Ventola + Seeger ⁽²⁾	Fan + Snap ring ⁽²⁾	1	182650700			182650710	
8	Copriventola	Fan cover	1	182650770			182650780	
9	Tirante	Tie rod	=>	-				
11	Morsettiera	Terminal block	1	182651010				
12	Coperchio scatola mors.	Terminal box cover	1	182220950				
13	Pressacavo + Dado	Cable entry + Nut	1	M25(002858932) + M32(002858869)		M32 (002858934) + M25(002858867)		M40 (002858767+ 002890135)
14	Guarnizione inf.	Gasket, inf.	1	182220970				
14	Guarnizione sup.	Gasket, sup.	1	182220610				
15	Scatola morsettiera	Terminal box	1	182220930				
16	Piede motore	Motor foot	1+1	-				
17	Linguetta	Key	1	182651240		182651250		182220700
18	Anello tenuta ant.	Front seal ring	1	182220620				182651300
19	Anello tenuta post.	Rear seal ring	1	182651300				

* Parti di ricambio consigliate - Recommended spare parts "MA" = Motore Marelli - Marelli Motor

(1) Parti meccaniche (cassa mot., flangie, albero c/rotore, statore non avvolto) - Mechanical parts (motor case, flanges, shaft with rotor, stator not wound)

(2) Anello elastico a carico del cliente - Snap ring to be charged of the user