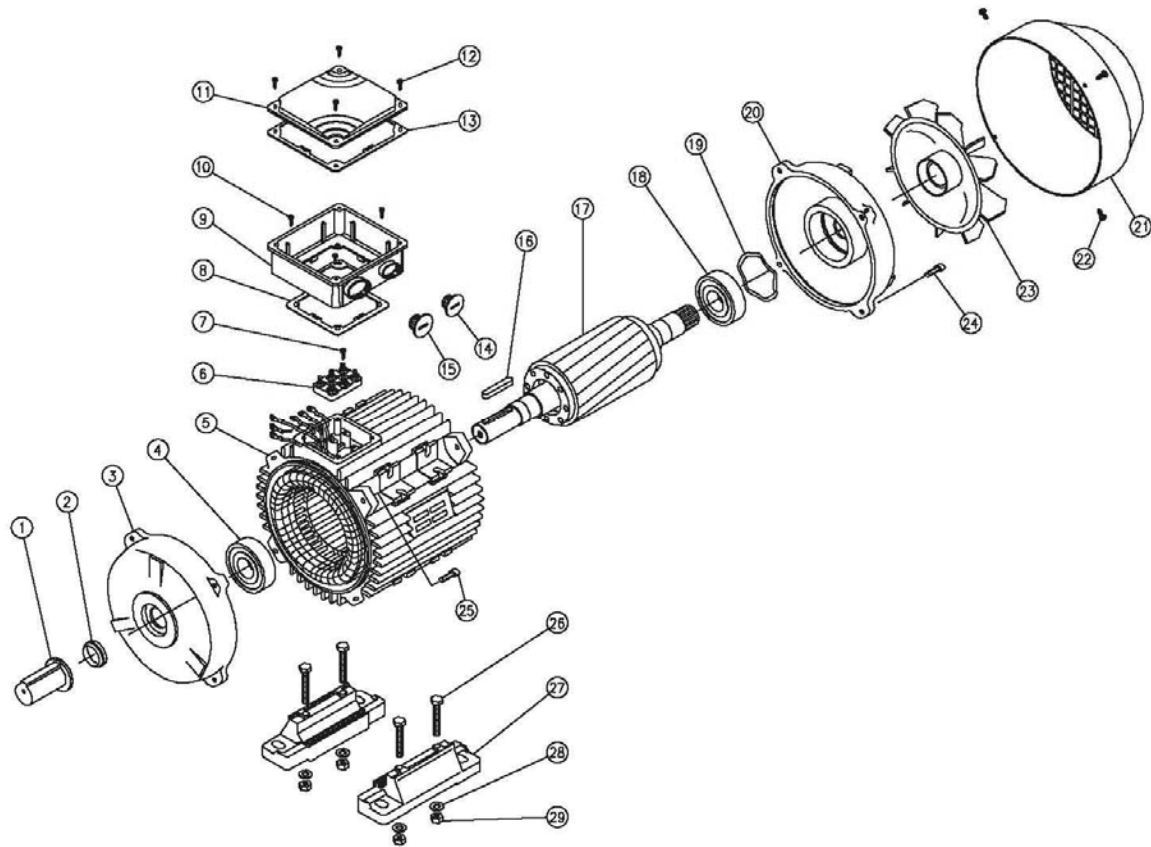
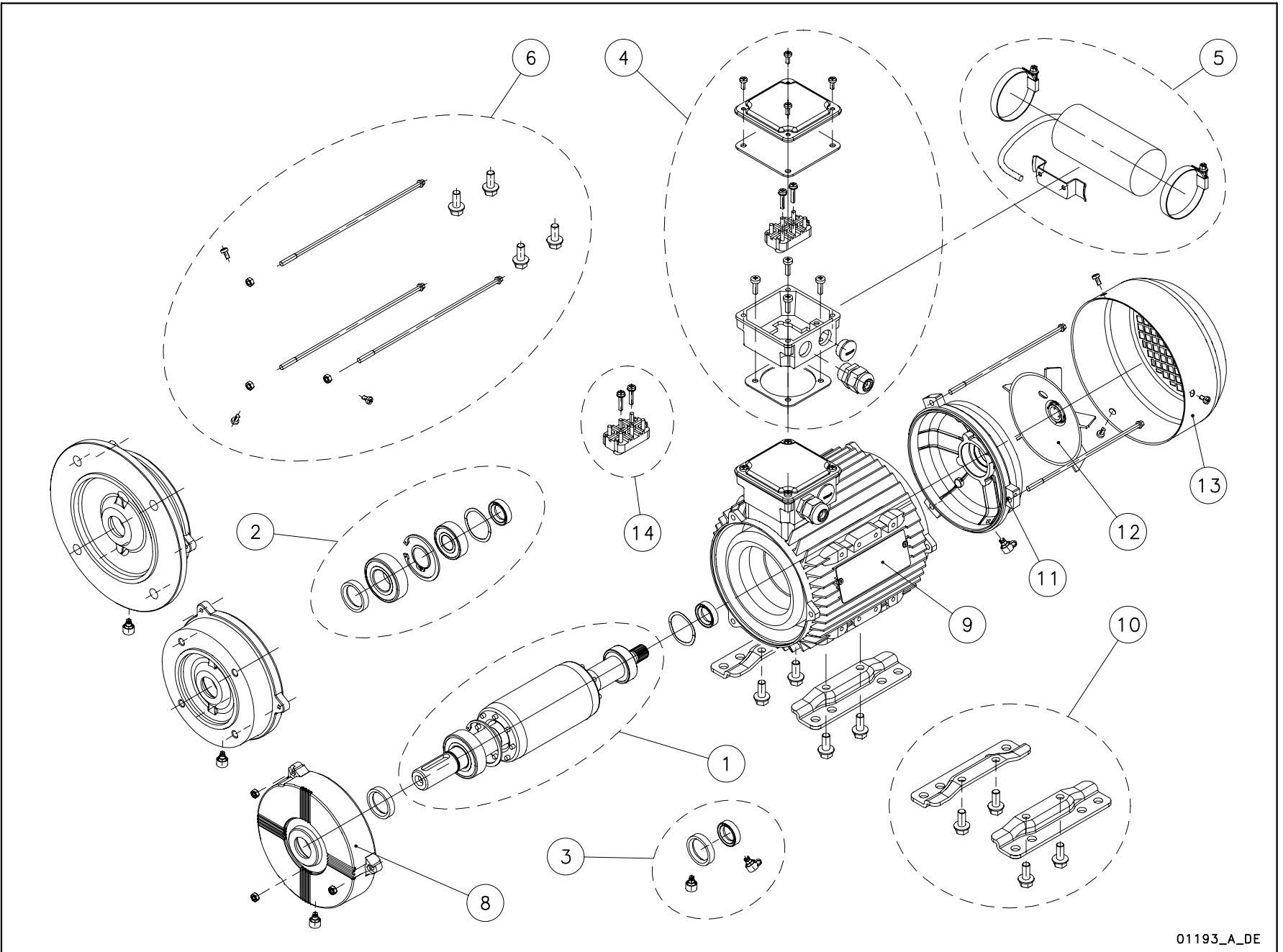


LLM MOTOR



Part sets description		items
1	Shaft rotor complete	1-2;4;16-19
2	Bearings	2;4
3	Oil seals	2
4	Terminal box	6-15
5	Capacitor	-
6	Tie rods	-
7	Screws	22;24-26;28-29
8	Front shield DE	3
9	Stator terminal box	5;25
10	Motor feet	26-29
11	Rear shield NDE	20;24
12	Fan	23
13	Fan cover	21-22
14	Base with pins	6-7



01193_A_DE

N.	Descrizione it	Description en	Description fr	Beschreibung de	Descripción es	Descrição pt
1	Albero rotore completo	Shaft rotor complete	Arbre rotor au complet	Rotorwelle Komplete	Eje rotor complete	Eixo rotor completo
2	Cuscinetti - Anelli	Bearings - Rings	Roulements - Anneaux	Lagers - Rings	Cojinetes - Anillos	Rolamentos - Anéis
3	Anelli tenuta - Tappi	Oil seals - Plugs	Bagues étanchéité-Bouchons	Abdichtungsringen-Schrauben	Anillos estanqueidad- Tapones	Selos anéis -Tampões
4	Scatola morsettiera	Terminal box	Boite a bornier	Klemmenkasten	Caja de bornes	Quadro de grampos
5	Condensatore	Capacitor	Condensateur	Kondensator	Condensador	Condensador
6	Tiranti PLM90	Tie rods PLM90	Tiges PLM90	Spannstangen PLM90	Tirantes PLM90	Tirantes PLM90
7	Viteria	Screws	Vis	Schrauben	Tornillos	Parafusos
8	Scudo anteriore DE	Front shield DE	Flasque antérieur	Vorderer kasten	Escudo anterior	Escudo dianteiro
9	Cassa statore - scatola morsettiera	Stator housing - terminal box	Carcasse stator - boite a bornier	Statorgehäuse - Klemmenkastendeckel	Carcasa estator - Caja de bornes	Caixa estator - Quadro de grampos
10	Piedi motore	Motor feet	Piedes moteur	Motorstützfuss	Motor pies	Motor pés
11	Scudo posteriore NDE	Rear shield NDE	Flasque arriere	Hinteren Schild	Escudo posterior	Escudo posterior
12	Ventola	Fan	Ventilateur	Lüfterrad	Ventilador	Ventoinha
13	Copriventola	Fan cover	Couvercle de ventilateur	Lüfterradhaube	Tapa ventilador	Cobertura da ventoinha
14	Basetta con perni	Base with pins	Bornier avec fiches	Klemmenbrett mit zapfen	Soporte de pernos	Bloco de grampos
N.	Beschrijving nl	Περιγραφή el	Açıklama tr	Kuvaus fi	Описание ru	Opis pl
1	Rotor as compleet	Άξονας στροφέα πλήρης	Komple rotor mili	Täydellinen roottorin akseli	Укомплектованный вал ротора	Wałek kompletny (z rotorem)
2	Lagers - Ringen	Κουζινέτα - δαχτυλίδια	Rulmanlar - Halkalar	Laakerit - Renkaat	Подшипники - Кольца	Łożyska - pierścienie
3	Zegel ringen - Stekkers	Στεγανοποιητικοί δακτύλιοι - Πώματα	Yağ keçeleri - Tapalar	Tiivisterenkaat - Tulpat	Уплотнительные прокладки - пробки	Uszczelka olejowa - zatyczki
4	Kabelkast	Κιβώτιο συστοιχίας ακροδεκτών	Terminal kutusu	Liitinalusta	Крышка клеммника	Skrzynka zaciskowa
5	Condensator	Πυκνωτής	Kondansatör	Kondensaattori	Конденсатор	Kondensator
6	Trekstangen PLM90	Ράβδοι δεσμών PLM90	Çekme çubukları PLM90	Vetotangot PLM90	Тяги PLM90	Szpilki gwintowane PLM90
7	Schroeven	Βίδες	Vidalar	Ruuvit	Винты	Śruby
8	Voorzijde Motorhuis	Μπροστινός προφυλακτήρας NDE	Ön koruma	Etusuojus DE	Передний щит Прив.сторона	Przednia tarcza
9	Statorhuis - Klemmenbord	Κάσα στάτη - κιβώτιο συστοιχίας ακροδεκτών	Stator yuvası - Terminal kutusu	Staattorin kotelo - liitinalusta	Корпус статора - коробка клеммника	Obudowa silnika - stator
10	Motor voeten	Πόδια κινητήρα	Motor ayakları	Moottorin jalat	Ножки двигателя	Stopki silnika
11	Achtergedeelte Motorhuis	Πίσω προφυλακτήρας NDE	Arka koruma	Takasuojaus NDE	Задний щит Неприв. Сторона	Tylna tarcza
12	Ventilator	Ανεμιστήρας	Vantilatör	Tuuletin	Вентилятор	Wentylator
13	Ventilatorkap	Κάλυμμα ανεμιστήρων	Vantilatör kapağı	Tuulettimen suojus	Крышка вентилятора	Ośłona wentylatora
14	Klemmenbord	Βάση με πείρους	Pimli kaide	Perusta ja tapit	Основание со штырями	Podstawa ze sworzeniami

Motors for Horizontal Pump FHS / SHS / FCS 4 Pole 1,1 - 1,5 kW

PLM4 ---->	
3 ~, 230-400V ->	
LLM4 ---->	80B5/307
3 ~, 230-400V ->	107241610
kW ->	0,75
	LLM IE3

90B5/311	90B5/315
50A05RB00	50A06RB00
1,1	1,5
PLM IE3	

Kit

1	Shaft rotor complete	N/A
*2	Bearings - Rings	KL11AAC 6204/6204
4	Terminal box	K265AAA
3	Oil seals - Plugs	N/A
6	Tie rods PLM90	-
7	Screws PLM100-160	N/A
5	Capacitor	-

5KL09AD7	5KL09AD8
5KL11AA1	5KL11AA1
6204/6205 HE	6204/6205 HE
5KL30AAE	5KL30AAE
5KL03AAA	5KL03AAA
5KL22AAA	5KL22AAA
-	-
-	-

Single Unit

8	Front shield DE	K265AAC
9	Stator terminal box	N/A
11	Rear shield NDE	K265AAN
12	Fan	182655080
13	Fan cover	K265AAR
14	Base with pins	182655090
10	Motor feet	-

5KL20AAP	5KL20AAP
5KL25ACN	5KL25ACP
5KL20AA7	5KL20AA7
540760010	540760010
5KL29AAA	5KL29AAA
5830AAA	5830AAA
-	-

Note. Motors with International Energy Efficiency Class IE3 according CE Standard 640/2009

About LLM motors pls check parts codes with Lowara Service

* Recommended spare parts - Parti di ricambio consigliate

* Pièces détachées conseillées - Empfohlene Ersatzteile

LLM4-PLM4 Motors for Horizontal Pump FHF / SHF 4 Pole 0,75 - 1,5 kW

PLM4 ---->	
3 ~, 230-400V ->	
LLM4 ---->	80B3/307
3 ~, 230-400V ->	107241600
kW ->	0,75
	LLM IE3

90B3/311	90B3/315
50A05RA00	50A06RA00
1,1	1,5
PLM IE3	

Kit

1	Shaft rotor complete	N/A
2*	Bearings - Rings	KL11AAC 6204/6204
4	Terminal box	K265AAA
3	Oil seals - Plugs	N/A
6	Tie rods PLM90	-
7	Screws PLM100-160	N/A
5	Capacitor	-

5KL09AD0	5KL09AEY
5KL11AA1	5KL11AA1
6204/6205 HE	6204/6205 HE
5KL30AAE	5KL30AAE
5KL03AAA	5KL03AAA
5KL22AAA	5KL22AAA
-	-
-	-

Single Unit

8	Front shield DE	K265AAB
9	Stator terminal box	N/A
11	Rear shield NDE	K265AAN
12	Fan	182655080
13	Fan cover	K265AAR
14	Base with pins	182655090
10	Motor feet	K265AAL

5KL20AAA	5KL20AAA
5KL25ACN	5KL25ACP
5KL20AA7	5KL20AA7
540760010	540760010
5KL29AAA	5KL29AAA
5830AAA	5830AAA
5KL23AAA	5KL23AAA

Note. Motors with International Energy Efficiency Class IE3 according CE Standard 640/2009

Note. LLM parts numbers have to be checked with Service Assistance

* Recommended spare parts - Parti di ricambio consigliate
* Pièces détachées conseillées - Empfohlene Ersatzteile

xylem