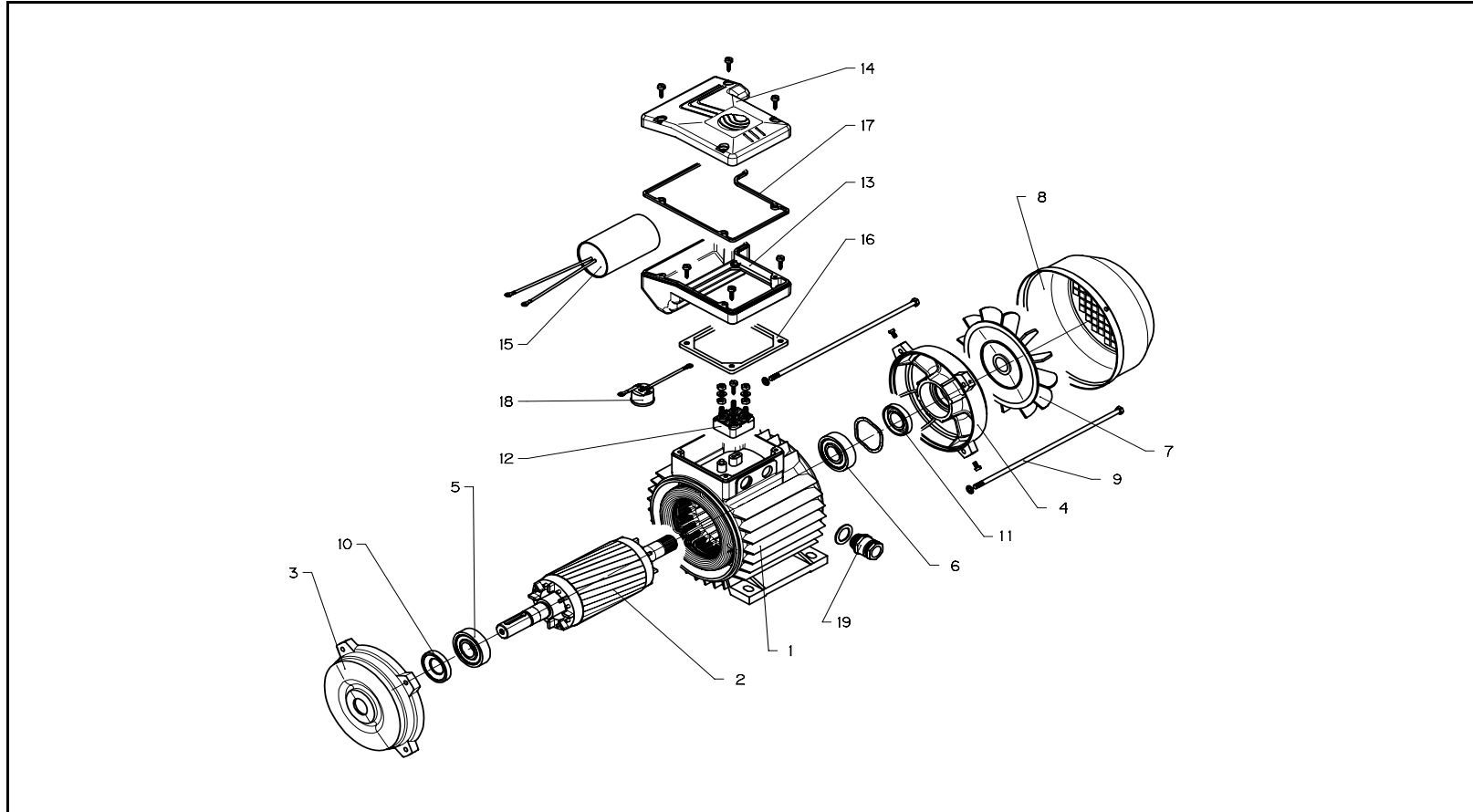


xylem

MOTORI LM B3 TRIFASE 4 POLI GRAND. 90-100-112 - FHF/SHF
THREE PHASE B3 LM MOTORS 4 POLE SIZE 90-100-112 - FHF/SHF



 **LOWARA**

- 259/A-2 -

MOT_F_4P_3Ph_P(11-40)_5_Jan00_EdD.xls

| ITEM N. | DESCRIZIONE | DESCRIPTION | Q.TA Q.TY | CODICE - CODE | | | | |
|---------|-------------------------------|---------------------------|--------------|---------------|-------------|--------------|--------------|--------------|
| | | | | LM490B3/311 | LM490B3/315 | LM4100B3/322 | LM4100B3/330 | LM4112B3/340 |
| | | | | 107106610 | 107106620 | 107106650 | 107106660 | 107106680 |
| | | | 1.1 kW | 1.5 kW | 2.2 kW | 3 kW | 4 kW | |
| 1 | Cassa motore con statore | Motor case with stator | 1 | 140645540 | 140645550 | 140645810 | 140645820 | (140645620) |
| 2 | Albero-rotore-cuscinetti | Shaft-rotor-bearings | 1 | 155104060 | 155104070 | 155104090 | 155104100 | 155104130 |
| 3 | Flangia | Flange | 1 | 154030070 | | 154030080 | | 154030060 |
| 4 | Coperchio motore | Motor cover | 1 | 154030020 | | 154030030 | | 154030050 |
| * 5 | Cuscinetto ant. | Front bearing | 1 | 002314005 | | 002314006 | | 002314106 |
| * 6 | Cuscinetto post. | Rear bearing | 1 | 002314005 | | 002314006 | | 002314006 |
| 7 | Ventola | Fan | 1 | 140760200 | | 140760210 | | 140760220 |
| 8 | Copriventola | Fan cover | 1 | 164201910 | | 164201950 | | 164201960 |
| 9 | Tirante | Tie rod | 4 | 167101680 | | 167101700 | | 167102880 |
| * 10 | Anello tenuta ant. | Front seal ring | 1 | 002220720 | | 002220735 | | |
| * 11 | Anello tenuta post. | Rear seal ring | 1 | 002220720 | | 002220735 | | 002220735 |
| 12 | Morsettiera | Terminal block | 1 | 158160210 | | | | 158160120 |
| 13 | Scatola morsettiera | Terminal box | 1 | | | | | |
| 14 | Coperchio scatola morsettiera | Terminal box cover | 1 | 164060950 | | | | 164030310 |
| 15 | Condensatore | Capacitor | 1 | | | | | |
| 16 | Guarnizione cop. scat. mors. | Terminal box cover gasket | 1 | | | | | |
| 17 | Guarnizione scat. morsettiera | Terminal box gasket | 1 | 168061440 | | | | 168061160 |
| 18 | Motoprotettore | Overload protection | 1 | | | | | |
| 19 | Pressacavo | Cable entry | 1 | 002858705 | | 002858706 | | |
| 20 | Tappo scarico condensa | Condensate drain plug | 2 | 168460420 | | | | |

* Parti di ricambio consigliate - Recommended spare parts