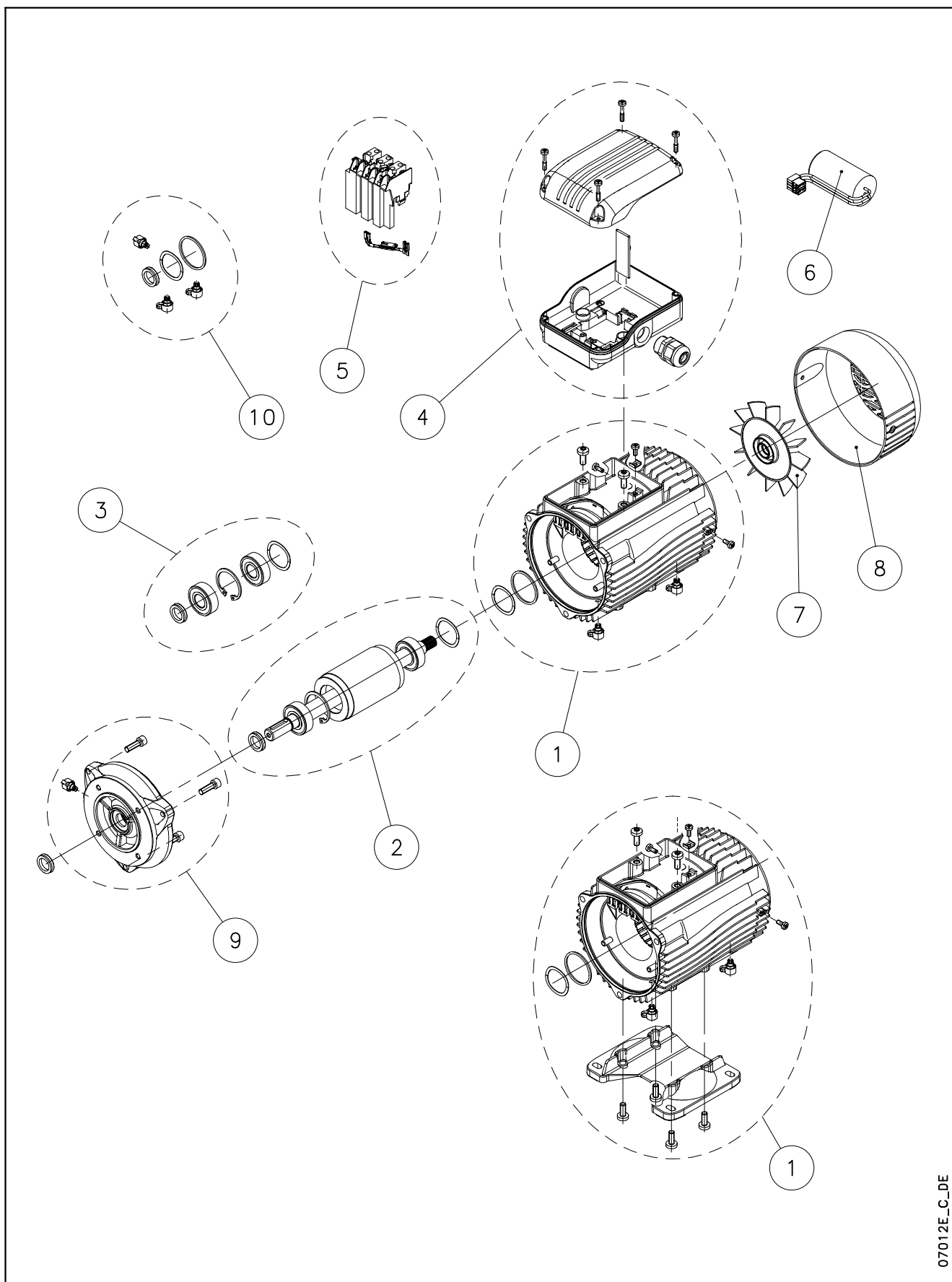


## SM MOTOR



07012E\_C\_DE

Lowara, Flygt and Vogel Pumpen are a trademark of Xylem Inc. or one of its subsidiaries. Goulds is a registered trademark of Goulds Pumps, Inc. and is used under license.

| N. | Descrizione<br>it              | Description<br>en                   | Description<br>fr                 | Beschreibung<br>de                | Descripción<br>es                | Descrição<br>pt                 |
|----|--------------------------------|-------------------------------------|-----------------------------------|-----------------------------------|----------------------------------|---------------------------------|
| 1  | Cassa statore                  | Stator housing                      | Carcasse stator                   | Statorgehäuse                     | Carcasa estator                  | Carcaça estator                 |
|    | Cassa statore con piedi motore | Stator housing with motor feet      | Carcasse stator avec pieds moteur | Statorgehäuse mit motorstützfuss  | Carcasa estator - motor pies     | Carcaça estator - motor pés     |
| 2  | Albero rotore completo         | Shaft rotor complete                | Arbre rotor complet               | Rotorwelle Komplete               | Eje rotor complete               | Eixo rotor completo             |
| 3  | Cuscinetti - Anelli            | Bearings - Rings                    | Roulements - Anneaux              | Lager - Ringen                    | Cojinetes - Anillos              | Rolamentos - Anéis              |
| 4  | Scatola morsettiera            | Terminal box                        | Boite a bornier                   | Klemmenkasten                     | Caja de bornes                   | Caixa de terminais              |
| 5  | Morsettiera ( Plug-in )        | Terminal block ( Plug in )          | Bornier enfichable ( Plug in )    | Steck-Klemmkasten ( Plug in )     | Place de bornes ( Plug in )      | Terminais ( Plug in )           |
| 6  | Condensatore                   | Capacitor                           | Condensateur                      | Kondensator                       | Condensador                      | Condensador                     |
| 7  | Ventola                        | Fan                                 | Ventilateur                       | Lüfterrad                         | Ventilador                       | Ventilador                      |
| 8  | Copriventola                   | Fan cover                           | Couvercle de ventilateur          | Lüfterradhaube                    | Tapa ventilador                  | Cobertura do ventilador         |
| 9  | Scudo anteriore DE             | Front shield DE                     | Flasque avant DE                  | Vorderzungen Schild DE            | Escudo anterior NDE              | Proteção anterior DE            |
| 10 | Anelli tenuta - Tappi          | Oil seals - Plugs                   | Bagues étanchéité-Bouchons        | Abdichtungsringen-Stopfen         | Anillos estanqueidad- Tapones    | Selos anéis -Tampões            |
|    |                                |                                     |                                   |                                   |                                  |                                 |
| N. | Beschrijving<br>nl             | Περιγραφή<br>el                     | Açıklama<br>tr                    | Kuvaus<br>fi                      | Описание<br>ru                   | Opis<br>pl                      |
| 1  | Statorhuis                     | Κάσα στάτη                          | Statör karteri                    | Staattori kotelo                  | Корпус статора                   | Stator                          |
|    | Statorhuis - Motor voeten      | Κάσα στάτη - Πόδια κινητήρα         | Statör karteri - Makina ayak      | Staattori kotelo - Moottori jalat | Корпус статора - двигатель стопы | Stator - Stopki silnika         |
| 2  | Rotor as compleet              | Άξονας στροφέα πλήρης               | Döner mili tam                    | Aksel roottori komplet            | ротор дrevko законченный         | Wałek kompletny (z rotorem)     |
| 3  | Lagers - Ringen                | Κουζινέτα - δαχτυλίδια              | Rulmanlar - Ringes                | Laakeri - Rengas                  | Подшипник - кольцами             | Łożyska – pierścienie           |
| 4  | Kabelkast                      | Πίνακες τερματικών                  | Terminal Kutu                     | Terminaalin laatikko              | соединители коробка              | Skrzynka zaciskowa              |
| 5  | Klemmenbord (Plug in)          | Τερματικές μονάδες ( Plug in )      | Kaide bacaklar Plug in            | Liitinalusta Plug in              | основа булавка Plug in           | Podstawa ze sworzeniami Plug in |
| 6  | Condensator                    | πυκνωτ                              | Kondansatör                       | Kondensaattori                    | конденсатор                      | Kondensator                     |
| 7  | Ventilator                     | Ανεμιστήρας                         | Vantilatör                        | Tuuletin                          | вентилятор                       | Wentylator                      |
| 8  | Ventilatorkap                  | Κάλυμμα ανεμιστήρων                 | Vantilatör kapağı                 | Tuuletinkotelo                    | вентилятор крышка                | Ośłona wentylatora              |
| 9  | Voorste Motorhuis DE           | Εμπρός ασπίδα DE                    | Ön koruma DE                      | Etu-kilpi DE                      | Отдел щит DE                     | Przednie tarcza DE              |
| 10 | Zegel ringen - Stekkers        | Στεγανοποιητικοί δακτύλιοι - Πώματα | Fok ringes - Tikaç                | Sinetin renkaasta - Pistokkeiden  | нефть тюлень -кольцо             | Uszczelka olejowa – zatyczki    |
|    |                                |                                     |                                   |                                   |                                  |                                 |

## SM Vertical Pump SV / SVI 2 Pole 0,75 - 1,5 kW

|                  |                  |                  |                   |
|------------------|------------------|------------------|-------------------|
| SM --->          | <b>80B14/307</b> | <b>80B14/311</b> | <b>90RB14/315</b> |
| 3 ~, 230-400V -> | 107234000        | 107234010        | 107234020         |
| 3 ~, 400-690V -> | 107234003        | 107234012        | 107234023         |
| kW ->            | <b>0,75</b>      | <b>1,1</b>       | <b>1,5</b>        |
|                  | SM IE3           |                  |                   |

### Kit

|    |                      |             |             |             |
|----|----------------------|-------------|-------------|-------------|
| 2  | Shaft rotor complete | KL09ACF     | KL09ACG     | KL09ACH     |
| 3* | Bearings - Rings     | KL11AAU     | KL11AAU     | KL11AAV     |
|    | Bearings size        | 6204/6204HE | 6204/6204HE | 6204/6205HE |
| 4  | Terminal box         | KL30AAA     | KL30AAA     | KL30AAA     |
| 6  | Capacitor 1~         |             |             |             |
| 10 | Oil seals - Plugs    | KL03ABP     | KL03ABP     | KL03ABP     |

### Single Unit

|   |                           |           |           |           |
|---|---------------------------|-----------|-----------|-----------|
| 1 | Stator w/terminal box     | KL25ADD   | KL25ADF   | KL25ADH   |
|   | Stator w/terminal box     | KL25AD2   | KL25AD3   | KL25AD4   |
| 5 | Plug-in                   | 158160280 | 158160280 | 158160280 |
|   | Plug-in Mot/Protection 1~ |           |           |           |
| 7 | Fan                       | 140760160 | 140760160 | 140760160 |
| 8 | Fan cover                 | KL29AAE   | KL29AAE   | KL29AAE   |
| 9 | Front shield DE [ B14     | KL20AAT   | KL20AAT   | KL20AAU   |
| - | Motor feet                | -         | -         | -         |
| - | Condensate drain plug     | 168460420 | 168460420 | 168460420 |

Note. Motors with International Energy Efficiency Class IE3 according CE Standard 640/2009

\* Recommended spare parts - Parti di ricambio consigliate

\* Pièces détachées conseillées - Empfohlene Ersatzteile

## SM Vertical Pump FCE / FHE / SHE 2 Pole 0,75 - 1,5 kW

|                  |                     |                     |                     |
|------------------|---------------------|---------------------|---------------------|
| SM --->          | <b>90RB14S2/307</b> | <b>90RB14S2/311</b> | <b>90RB14S2/315</b> |
| 3 ~, 230-400V -> | 107234040           | 107234050           | 107234060           |
| 3 ~, 400-690V -> | 107234042           | TbD                 | 107234062           |
| kW ->            | <b>0,75</b>         | <b>1,1</b>          | <b>1,5</b>          |
|                  | SM IE3              |                     |                     |

### Kit

|    |                      |             |             |             |
|----|----------------------|-------------|-------------|-------------|
| 2  | Shaft rotor complete | KL09ACK     | KL09ACL     | KL09ACM     |
| 3* | Bearings - Rings     | KL11AAV     | KL11AAV     | KL11AAV     |
|    | Bearings size        | 6204/6205HE | 6204/6205HE | 6204/6205HE |
| 4  | Terminal box         | KL30AAA     | KL30AAA     | KL30AAA     |
| 6  | Capacitor 1~         |             |             |             |
| 10 | Oil seals - Plugs    | KL03ABP     | KL03ABP     | KL03ABP     |

### Single Unit

|   |                           |           |           |           |
|---|---------------------------|-----------|-----------|-----------|
| 1 | Stator w/terminal box     | KL25ADD   | KL25ADF   | KL25ADH   |
|   | Stator w/terminal box     | KL25AD2   | KL25AD3   | KL25AD4   |
| 5 | Plug-in                   | 158160280 | 158160280 | 158160280 |
|   | Plug-in Mot/Protection 1~ |           |           |           |
| 7 | Fan                       | 140760160 | 140760160 | 140760160 |
| 8 | Fan cover                 | KL29AAE   | KL29AAE   | KL29AAE   |
| 9 | Front shield DE [ B14     | KL20AAU   | KL20AAU   | KL20AAW   |
| - | Motor feet                | -         | -         | -         |
| - | Condensate drain plug     | 168460420 | 168460420 | 168460420 |

Note. Motors with International Energy Efficiency Class IE3 according CE Standard 640/2009

\* Recommended spare parts - Parti di ricambio consigliate  
\* Pièces détachées conseillées - Empfohlene Ersatzteile