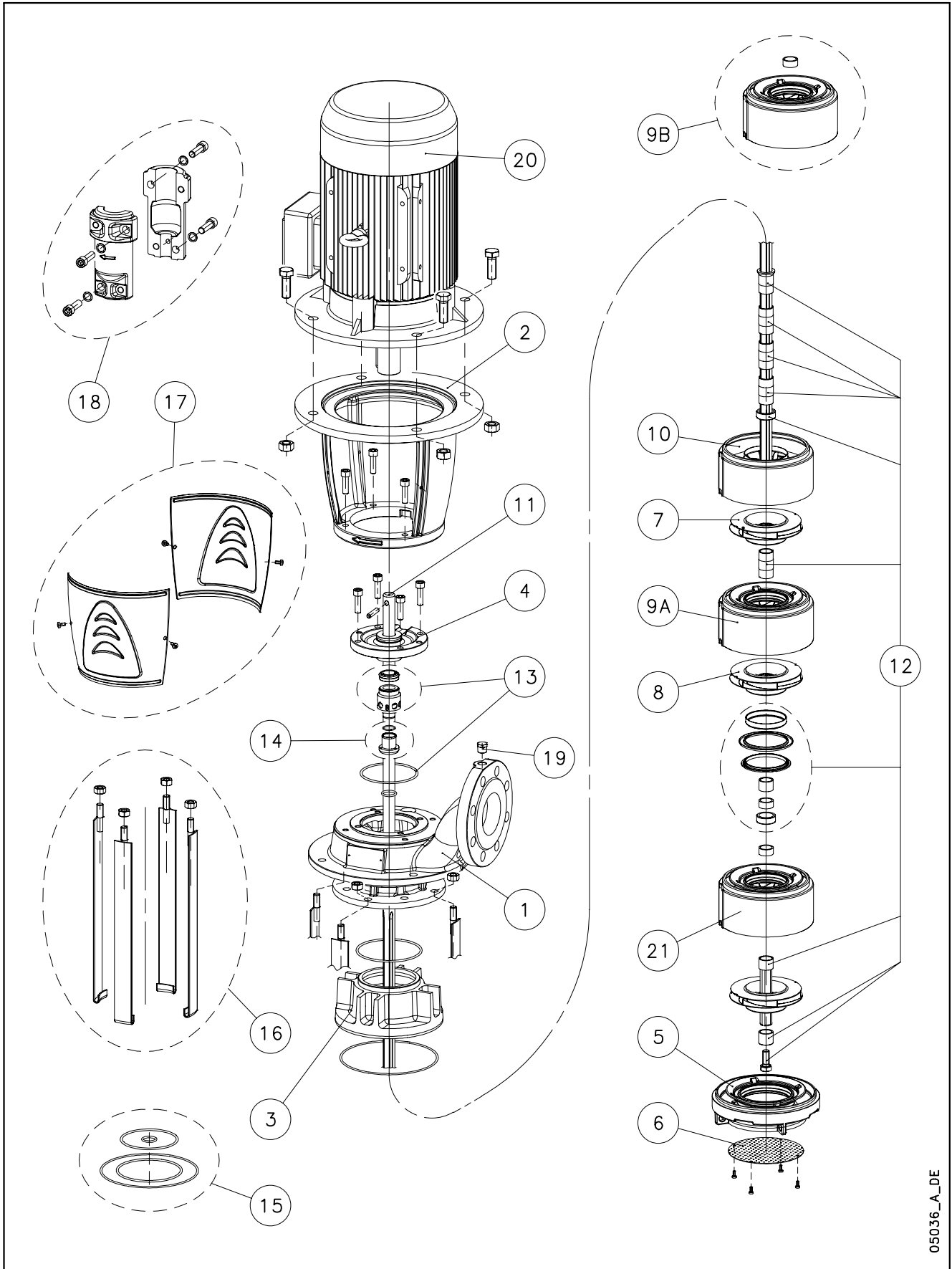


SVI 33-92



05036_A_DE

Lowara and Vogel Pumpen are a trademark of Xylem Inc. or one of its subsidiaries. Goulds is a registered trademark of Goulds Pumps, Inc. and is used under license.

N.	Descrizione It	Description en	Description fr	Beschreibung de	Descripción es	Descrição pt
1	Corpo pompa	Pump body	Corps de pompe	Pumpengehäuse	Caja bomba	Corpo da bomba
2	Lanterna	Adaptor	Lanterne	Motorlaterne	Adaptador	Adaptador
3	Flangia adattatrice	Adapter flange	Bride d' adaptation	Adapterflansch	Brida adaptadora	Flange de adaptação
4	Disco porta tenuta	Seal housing disc	Disque de support garniture	Dichtungsdeckel	Disco de alojamiento sello	Disco porta-vedante
5	Coperchio aspirazione	Suction cover	Couvercle d'aspiration	Abdeckung	Tapa de aspiración	Tampa de aspiração
6	Filtro	Strainer	Filtre	Filter	Filtro	Filtro
7	Girante ridotta	Reduced impeller	Roue réduite	Laufgrad, reduzierter Durchmesser	Rodete, reducido	Impulsor reduzido
8	Girante piena	Full impeller	Roue pleine	Laufgrad, voller Durchmesser	Rodete, completo	Impulsor completo
9A	Diffusore boccola carbone	Diffuser carbon bush	Diffuseur douille carbone	Diffusor und Büchse Kohle	Difusor casquillo carbón	Difusor bucha carvão
9B	Diffusore boccola Widia	Diffuser tungsten bush	Diffuseur douille Widia	Diffusor und Büchse Widia	Difusor casquillo Widia	Difusor bucha tungstênio
10	Diffusore finale	Last stage diffuser	Diffuseur dernier étage	Enddiffusor	Difusor final	Difusor final
11	Albero	Shaft	Arbre	Welle	Árbol	Veio
12	Kit parti di usura	Wear parts kit	Kit parties d'usure	Verschleißteile [Satz]	Kit piezas de desgaste	Kit peças desgastáveis
13	Kit tenuta mecc. + OR	Mechanical seal + OR kit	Kit garniture méc. + joints toriques	Gleitringdichtung + O-Ring [Satz]	Kit sello mec. + junta tórica	Kit Empanque mec. + OR
14	Kit bussola tenuta	Bush seal kit	Kit douille garniture	Gleitringdichtungsarretierung mitnehmer	Kit casquillo sello	kit bucha vedante
15	Kit guarnizioni OR	O ring kit	Kit joints toriques	Dichtungssatz	Kit juntas tóricas	Kit guarnições OR
16	Kit tiranti	Tensioners kit	Kit tirants	Zugstangen [Satz]	Kit tirantes	Kit tirantes
17	Kit protezione giunto	Coupling guard kit	Kit protection manchon	Kupplungsschutz [Satz]	Kit protección junta	Kit protecção junta
18	Kit coppia di semigiunti	Half coupling kit	Kit paire de demi-manchons	Kupplung [Satz]	Kit par de semijuntas	Kit par de semi-juntas
19	Tappo	Plug	Bouchon	Stopfen	Tapon	Tampão
20	Motore	Motor	Moteur	Motor	Motor	Motor
21	Diffusore iniziale	Initial diffuser	Premier diffuseur	Erste Diffusor	Difusor initial	Primeiro difusor
N.	Beschrijving nl	Περιγραφή el	Açıklama tr	Kuvaus fi	Описание ru	Opis pl
1	Pomphuis	Σώμα αντλίας	Pompa gövdesi	Pumpun runko	Корпус насоса	Korpus pompy
2	Lantaarnstuk	Μπρακέτο	Adaptör	Sovitin	Крестовина	Piasta
3	Verbingsflens	φλάντζα προσαρμογέα	Adapte flanş	Sovitinlaippa	Адаптер фланца	Łącznik kolnierzowy
4	Dichtingssteunplaat	Δίσκος μηχανικού στυπιοθλίπτη	Sızdırmazlık elemanı diski	Tiivisteenn kannatuslevy	Пластина держателя прокладки	Tarcza uszczelki
5	Aanzuigkap	Καπάκι αναρρόφησης	Emme kapağı	Imu kattamaan (imulaippa)	Крышка всасывания	Pokrywa ssania
6	Filter	Φίλτρο	Filtre	Suodatin	Фильтр	Filtr
7	Waaier met verkleinde diameter	Πτερύγιο μειωμένης διαμέτρου	Küçük boyulu pompa rotoru	Pieni juoksupyörä	Уменьшенное рабочее колесо	Wirnik niepełny
8	Volle waaier	Πτερύγιο πλήρους διαμέτρου	Tam boyulu pompa rotoru	Täydellinen juoksupyörä	Полное рабочее колесо	Wirnik pełny
9A	Diffusor koollager	κουτί στάδιο με θάμνο θάμνο άνθρακα	Burçlu difüzör Karbon	Diffusori ja hiiliholkki	Диффузор втулки угля	Dyfuzor tulejki (węgla)
9B	Diffusor Widia	κουτί στάδιο με θάμνο θάμνο βολφραμίου	Burçlu difüzör Tungsten	Diffusori ja kovametalliholkki	Диффузор втулки Widia	Dyfuzor tulejki (Wolfram)
10	Diffusor laatste trap	Τελευταίο πτερύγιο εκτροπής	Son difüzör	Loppuvaiheen diffusori	Конечный диффузор	Dyfuzor końcowy
11	As	Άξονας	Mil	Akseli	Вал	Wał
12	Set slijtonderdelen	Σετ δακτυλίων τριβής	Aşınma parçaları kiti	Kulumisiosien sarja	Комплект изнашиваемых частей	Zestaw części podl. zużyciu
13	Set mech. asafdichting + O-ring	Μηχανικός στυπιοθλίπτης και ροδέλες στεγανοποίησης	Mekanik salmastra kiti + O-Ring	Mek. tiiviste + O-rengassarja	Комплект мех. печать + OR	Zestaw uszcz.mech. + OR
14	Set afdichtingsbus	Σετ κουζινέτου μηχανικού στυπιοθλίπτη	Sızdırmazlık elemanı burcu kiti	Holkki ja tiiviste	Комплект втулки уплотнения	Zestaw busoli uszczel.
15	Set O-ringafdichtingen	Σετ ροδέλες στεγανοποίησης	O-Ring kiti	O-rengassarja	Комплект кольцевых прокладок OR	Zestaw uszczeliek OR
16	Set trekstangen	Σετ ράβδων σύνδεσης	Gergi çubuğu kiti	Vetotankosarja	Комплект тяг	Zestaw napinaczy
17	Set koppelingsbescherming	Καλύμματα προστασίας σταθερού συνδέσμου	Manşon koruma kiti	Liitoksen suojuassarja	Комплект защиты муфт	Zestaw ochronny złącza
18	Set koppelingshelften	Σετ σταθερού συνδέσμου	Çift yarım manşon kiti	Liitinsarja	Комплект пары полумуфт	Zestaw pary półzłączy
19	Plug	πώμα	Tıpa	Tulppa	пробка	Zatyczka
20	Motor	Πλήρης κινητήρας	Motor	Moottori	Двигатель	Silnik
21	Eerste diffusor	Πρώτο πτερύγιο εκτροπής	İlk difüzör	Ensidiffusori	начальной Диффузор	Początkowego dyfuzor

Production date > June11

SVI33N 2 Pole (SVI33N/D: motors IE3 fitted)

ELP 2 P, 3 ~										
SVI IE2 - 3 ~>	3301/1-01N22T	3301-01N30T	3302/2-02N40T	3302/1-02N40T	3303/2-03N55T	3303-03N75T	3304-04N110T	3305/1-05N110T	3306/2-06N150T	3307/2-07N150T
	3307-07N185T	3308/1-08N185T	3309/1-09N220T	3310/2-10N220T	3310/10N300T					
	104355940	101705950	101705960	101705970	101705990	101706010	101706040	101706060	101706080	101706110
	101706130	101706150	101706180	101706200	104356220					
Note: SVI33-92 2,2 kW and 30 kW : SVI33-92/C										
SVI IE3 - 3 ~>	3301/1-01N22T	3301-01N30T	3302/2-02N40T	3302/1-02N40T	3303/2-03N55T	3303-03N75T	3304-04N110T	3305/1-05N110T	3306/2-06N150T	3307/2-07N150T
	3307-07N185T	3308/1-08N185T	3309/1-09N220T	3310/2-10N220T	3310/10N300T					
	104543200	104543210	104543220	104543230	104543240	104543250	104543260	104543270	104543280	104543290
	104543300	104543310	104543320	104543330	104543340					
Mot power kW >	2,2	3,0	4,0	4,0	5,5	7,5	11,0	11,0	15,0	15,0
	18,5	18,5	22,0	22,0	30,0					
Stages number	1	1	2	2	3	3	4	5	6	7
	7	8	9	10	10					

Single Unit and Kit

Stages >	1	2	3	4	5	6	7	8	9	10
11 Shaft AF51 Steel	165045630	165045640	165045650	165045660	165045670	165045680	165045690	165045700	165045710	165045720
16 Tensioners kit S	KL22AH8	KL22AH9	KL22AKA	KL22AKB	KL22AKC	KL22AKD	KL22AKE	KL22AKF	KL22AKG	KL22AKH

Motor, Coupling, Adaptor

20**	kw >	2,2	3,0	4,0	5,5	7,5	11,0	15,0	15,0	18,5
		22.0	30.0							
Motor 2P, 3, IE2 ->		50001RD00	50002RF00	50008VG00	50013VE00	50017VB00	50019VE00	50024VB00	50024VX00	50025VX00
		50026VY00	107242130							
Motor 2P, 3, IE3 ->		50A01RD00	50A02RF00	50A08VL00	50A13VE00	50A17VB00	50A19VE00	50A24VB00	50A24VX00	50A25VX00
		50A26VY00	23064644AW							
18 Half coupling kit		KL10AAA	KL10AAB	KL10AAB	KL10AAC	KL10AAC	KL10AAD	KL10AAD	KL10AAD	KL10AAD
		KL10AAE	KL10AAF							
17 Coupling guard kit		KL33AAA	KL33AAA	KL33AAA	KL33AAB	KL33AAB	KL33AAC	KL33AAC	KL33AAC	KL33AAC
		KL33AAC	KL33AAC							
2 Adaptor		161453600	161453620	161453620	161453640	161453640	161453660	161453660	161453660	161453660
		161453660	161453680							

SVI -	->3304	->3307	->3309/1	->3310
	1 bearing	2 bearing	2 bearing	3 bearing

12* Wear Parts Kit	KL35AD3	KL35AD4	KL35AD5	KL35AD6
--------------------	---------	---------	---------	---------

Mech seal Kit D22 + OR

13**	Materials ->	Q1BVGG	KL01AC2	STD -> Q1BVGG - OR FPM
		Q1Q1VGG	KL01AC3	
		Q1Q1EGG	KL01AC1	
		Q1Q1TGG	KL01AC6	
		Q1CTGG	KL01AC5	
		Q1Q1TGG	KL01AC6	

Common, Single Unit and Kit

01	Pump body DN80	161441330	
03	Adaptor flange	161441310	
04	Seal housing disc	160102850	
	Seal housing disc with stop key	150102900	
05	Suction cover	158600250	
06	Strainer	164600730	
07*	Reduced impeller	150702820	
08*	Full impeller	150702740	For ex. SVI3303/2-03 = 3 Impellers: 2 Imp. Reduced, 1 Imp. Full, 3 STages
09A	Diffuser carbon bush	152802732	316 SS
09B	Diffuser - Bearing	152802772	316 SS
10	Last stage diffuser	152802612	316 SS
	Last Diffuser - Bearing	152802692	316 SS - Pump std with 1 imp
14	Bush seal kit	KL41AAH	
15*	O-Ring kit	FPM	KL02ABS
		EPDM	KL02ABU
		FEP	KL02AB2
19	Plug	168400140	
21	Initial diffuser - Bearing	152802812	316 SS

Initial diffuser - Bearing : with hole to permit priming

Last stage diffuser - Bearing : with hole to permit priming

About SVI 33 - 46 - 66 - 92 with longer stem spare parts pls ask to Factory each pump specifically

* Recommended spare parts - Parti di ricambio consigliate

** Pièces détachées conseillées - Empfohlene Ersatzteile

** Motor spare parts: see motor lists - Parti di ricambio motore: vedi liste motore

** Pièces détachées Moteur : voir listes moteur - Motor-Ersatzteile: gem. Motorlisten

SVI33-92N_5_June11_EdC

SVI46N 2 Pole (SVI46N/D: motors IE3 fitted)

ELP 2 P, 3 ~										
SVI IE2 - 3 ~>	4601/1-01N30T	4601-01N40T	4602/2-02N55T	4602-02N75T	4603-03N110T	4604/2-04N150T	4605-05N185T	4606-06N220T	4607/2-07N300T	4608/2-08N300T
	4609/2-09N300T									
	101707500	101707510	101707520	101707530	101707550	101707560	101707590	101707610	104357620	104357640
Note: SVI33-92 2,2 kW and 30 kW : SVI33-92/C										
SVI IE3 - 3 ~>	4601/1-01N30T	4601-01N40T	4602/2-02N55T	4602-02N75T	4603-03N110T	4604/2-04N150T	4605-05N185T	4606-06N220T	4607/2-07N300T	4608/2-08N300T
	4609/2-09N300T									
	104543400	104543410	104543420	104543430	104543440	104543450	104543460	104543470	104543480	104543500
Mot power kW >	3.0	4.0	5.5	7.5	11.0	15.0	18.5	22.0	30.0	30.0
	30.0									
Stages number	1	1	2	2	3	4	5	6	7	8
	9									

Single Unit and Kit

Stages >	1	2	3	4	5	6	7	8	9
11 Shaft AF51 Steel	165045630	165045640	165045650	165045660	165045670	165045680	165045690	165045700	165045710
16 Tensioners kit	KL22AH8	KL22AH9	KL22AKA	KL22AKB	KL22AKC	KL22AKD	KL22AKE	KL22AKF	KL22AKG

Motor, Coupling, Adaptor

20**	kw >	3.0	4.0	5.5	7.5	11.0	15.0	18.5	22.0	30.0
	Motor 2P, 3~, IE2 >	50002RF00	50008VG00	50013VE00	50017VB00	50019VE00	50024VB00	50025VB00	50026VE00	107242130
	Motor 2P, 3~, IE3 >	50A02RF00	50A08VL00	50A13VE00	50A17VB00	50A19VE00	50A24VB00	50A25VX00	50A26VY00	107242620
18	Half coupling kit	KL10AAB	KL10AAB	KL10AAC	KL10AAC	KL10AAD	KL10AAD	KL10AAD	KL10AAE	KL10AAF
17	Coupling guard kit	KL33AAA	KL33AAA	KL33AAB	KL33AAB	KL33AAC	KL33AAC	KL33AAC	KL33AAC	KL33AAC
2	Adaptor	161453620	161453620	161453640	161453640	161453660	161453660	161453660	161453660	161453680

SVI -	4604/2	4607/2	4609/2
	1 bearing	2 bearing	3 bearing

12* Wear Parts Kit	KL35AD7	KL35AD8	KL35AD9
--------------------	---------	---------	---------

Mech seal Kit D22 + OR

13**	Materials ->	Q1BVGG	KL01AC2	STD -> Q1BVGG - OR FPM
		Q1Q1VGG	KL01AC3	
		Q1Q1EGG	KL01AC1	
		Q1Q1TGG	KL01AC6	
		Q1CTGG	KL01AC5	
		Q1Q1TGG	KL01AC6	

Common, Single Unit and Kit

01	Pump body DN80	161441330	
03	Adapter flange	161441310	
04	Seal housing disc	160102850	
	Seal housing disc with stop key	150102900	
05	Suction cover	158600260	
06	Strainer	164600730	
07*	Reduced impeller	150702830	
08*	Full impeller	150702750	Example. SVI4604/2-04 = 4 Impellers: 2 Imp. Reduced, 2 Imp. Full, 4 Stages
09A	Diffuser carbon bush	152802742	316 SS
09B	Diffuser - Bearing	152802782	316 SS
10	Last stage diffuser	152802612	316 SS
	Last Diffuser - Bearing	152802692	316 SS - Pump std with 1 imp
14	Bush seal kit	KL41AAH	
15*	O-Ring kit	FPM	KL02ABS
		EPDM	KL02ABU
		FEP	KL02AB2
19	Plug	168400140	
21	Initial diffuser - Bearing	152802822	316 SS

Initial diffuser - Bearing : with hole to permit priming

Last stage diffuser - Bearing : with hole to permit priming

About SVI 33 - 46 - 66 - 92 with longer stem spare parts pls ask to Factory each pump specifically

* Recommended spare parts - Parti di ricambio consigliate

* Pièces détachées conseillées - Empfohlene Ersatzteile

** Motor spare parts: see motor lists - Parti di ricambio motore: vedi liste motore

** Pièces détachées Moteur : voir listes moteur - Motor-Ersatzteile: gem. Motorlisten

SVI66N 2 Pole (SVI66N/D: motors IE3 fitted)

ELP 2 P, 3 ~								
SVI IE2 - 3 ~ >	6601/1-01N40T	6601-01N55T	6602/2-02N75T	6602-02N110T	6603/2-03N150	6603-03N185T	6604/1-04N220	6605/1-05N300T
	101708790	101708800	101708810	101708830	101708840	101708860	101708870	104358910
Note: SVI33-92 2,2 kW and 30 kW : SVI33-92/C								
SVI IE3 - 3 ~ >	6601/1-01N40T	6601-01N55T	6602/2-02N75T	6602-02N110T	6603/2-03N150	6603-03N185T	6604/1-04N220	6605/1-05N300T
	104543600	104543610	104543620	104543630	104543640	104543650	104543660	104543670
Mot power kW >	4.0	5.5	7.5	11.0	15.0	18.5	22.0	30.0
Stages number	1	1	2	2	3	3	4	5

Single Unit and Kit

	Stages >	1	2	3	4	5
11	Shaft AF51 Steel	165045360	165045370	165045380	165045390	165045410
16	Tensioners kit	KL22AKP	KL22AKQ	KL22AKR	KL22AKS	KL22AKD

Motor, Coupling, Motor Adaptor

20**	kW >	4.0	5.5	7.5	11.0	15.0	18.5	22.0	30.0
	Motor 2P, 3-, IE2 >	50008VG00	50013VE00	50017VB00	50019VE00	50024VX00	50025VX00	50026VY00	107242130
	Motor 2P, 3-, IE3 >	50A08VL00	50A13VE00	50A17VB00	50A19VE00	50A24VB00	50A25VX00	50A26VY00	107242620
18	Half coupling kit	KL10AAB	KL10AAC	KL10AAC	KL10AAD	KL10AAD	KL10AAD	KL10AAE	KL10AAF
17	Coupling guard kit	KL33AAA	KL33AAB	KL33AAB	KL33AAC	KL33AAC	KL33AAC	KL33AAC	KL33AAC
02	Adaptor	161453620	161453640	161453640	161453660	161453660	161453660	161453660	161453680

SVI -	->6603	->6605/1
	1 bearing	1 bearing

12*	Wear Parts kit	KL35AEA	KL35AEB
-----	----------------	---------	---------

Mech seal Kit D22 + OR

13**	Materials ->	Q1BVG	KL01AC2	STD -> Q1BVG - OR FPM
		Q1Q1VGG	KL01AC3	
		Q1Q1EGG	KL01AC1	
		Q1Q1TGG	KL01AC6	
		Q1CTGG	KL01AC5	
		Q1Q1TGG	KL01AC6	

Common, Single Unit and Kit

01	Pump body DN80	161441330	
03	Adapter flange	161441320	
04	Seal housing disc	160102850	
	Seal housing disc with stop key	150102900	
05	Suction cover	158600270	
06	Strainer	164600730	
07*	Reduced impeller	150702840	
08*	Full impeller	150702760	Example. SVI6604/1-04 = 4 Impellers: 1 Imp. Reduced, 3 Imp. Full, 4 Stages
09A	Diffuser carbon bush	152802752	316 SS
09B	Diffuser - Bearing	152802792	316 SS
10	Last stage diffuser	152802632	316 SS
	Last Diffuser - Bearing	152802712	316 SS - Pump std with 1 imp
14	Bush seal kit	KL41AAH	
15*	O-Ring kit	FPM	KL02ABT
		EPDM	KL02ABV
		FEP	KL02AB3
19	Plug	168400140	
21	Initial diffuser - Bearing	152802832	316 SS

Initial diffuser - Bearing : with hole to permit priming

Last stage diffuser - Bearing : with hole to permit priming

About SVI 33 - 46 - 66 - 92 with longer stem spare parts pls ask to Factory each pump specifically

* Recommended spare parts - Parti di ricambio consigliate

* Pièces détachées conseillées - Empfohlene Ersatzteile

** Motor spare parts: see motor lists - Parti di ricambio motore: vedi liste motore

** Pièces détachées Moteur : voir listes moteur - Motor-Ersatzteile: gem. Motorlisten

SVI33-92N_5_June11_EdC

SVI92N 2 Pole (SVI92N/D: motors IE3 fitted)

ELP 2 P, 3 ~								
SVI IE2 - 3 ~ >	9201/1-01N55T	9201-01N75T	9202/2-02N110T	9202-02N150T	9203/2-03N185	9203-03N220T	9204/2-04N300	9204-04N300T
	101709730	101709740	101709750	101709760	101709770	101709780	104359790	104359800
Note: SVI33-92 2.2 kW and 30 kW : SVI33-92/C								
SVI IE3 - 3 ~ >	9201/1-01N55T	9201-01N75T	9202/2-02N110T	9202-02N150T	9203/2-03N185	9203-03N220T	9204/2-04N300	9204-04N300T
	104543800	104543810	104543820	104543830	104543840	104543850	104543860	104543870
Mot power kW >	5.5	7.5	11.0	15.0	18.5	22.0	30.0	30.0
Stages number	1	1	2	2	3	3	4	4

Single Unit and Kit

Stages	1	2	3	4
11 Shaft 431 S.S.	165045360	165045370	165045380	165045390
16 Tensioners kit SVIS	KL22AKP	KL22AKQ	KL22AKR	KL22AKS

Motor, Coupling, Motor Adaptor

20**	kW ->	5.5	7.5	11.0	15.0	18.5	22.0	30.0
	Mot. 2P, 3~, IE2 ->	50013VE00	50017VB00	50019VE00	50024VB00	53025VX00	53026VY00	107242130
	Mot. 2P, 3~, IE3 ->	50A13VE00	50A17VB00	50A19VE00	50A24VB00	50A25VX00	50A26VY00	107242620
18	Half coupling kit	KL10AAC	KL10AAC	KL10AAD	KL10AAD	KL10AAD	KL10AAE	KL10AAF
17	Coupling guard kit	KL33AAB	KL33AAB	KL33AAC	KL33AAC	KL33AAC	KL33AAC	KL33AAC
02	Adaptor	161453640	161453640	161453660	161453660	161453660	161453660	161453680

SVI -	->9203	->9204/2
	1 bearing	2 bearing

*12	Wear parts Kit	KL35AEC	KL35AED
-----	----------------	---------	---------

Mech seal Kit D22 + OR

13**	Materials ->	Q1BVG	KL01AC2	STD -> Q1BVG - OR FPM
		Q1Q1VGG	KL01AC3	
		Q1Q1EGG	KL01AC1	
		Q1Q1TGG	KL01AC6	
		Q1CTGG	KL01AC5	
		Q1Q1TGG	KL01AC6	

Common, Single Unit and Kit

01	Pump body DN80	161441330	
03	Adapter flange	161441320	
04	Seal housing disc	160102850	
	Seal housing disc with stop key	150102900	
05	Suction cover	158600280	
06	Strainer	164600730	
07*	Reduced impeller	150702850	
08*	Full impeller	150702770	Example. SVI9203/2-03 = 3 Impellers: 2 Imp. Reduced, 1 Imp. Full, 3 Stages
09A	Diffuser carbon bush	152802762	316 SS
09B	Diffuser - Bearing	152802802	316 SS
10	Last stage diffuser	152802632	316 SS
	Last stage diffuser - Bearing	152802712	316 SS - Pump std with 1 imp
14	Bush seal kit	KL41AAH	
15*	O-Ring kit	FPM	KL02ABT
		EPDM	KL02ABV
		FEP	KL02AB3
19	Plug	168400140	
21	Initial diffuser - Bearing	152802842	316 SS

Initial diffuser - Bearing : with hole to permit priming

Last stage diffuser - Bearing : with hole to permit priming

About SVI 33 - 46 - 66 - 92 with longer stem spare parts pls ask to Factory each pump specifically

* Recommended spare parts - Parti di ricambio consigliate

* Pièces détachées conseillées - Empfohlene Ersatzteile

** Motor spare parts: see motor lists - Parti di ricambio motore: vedi liste motore

** Pièces détachées Moteur : voir listes moteur - Motor-Ersatzteile: gem. Motorlisten