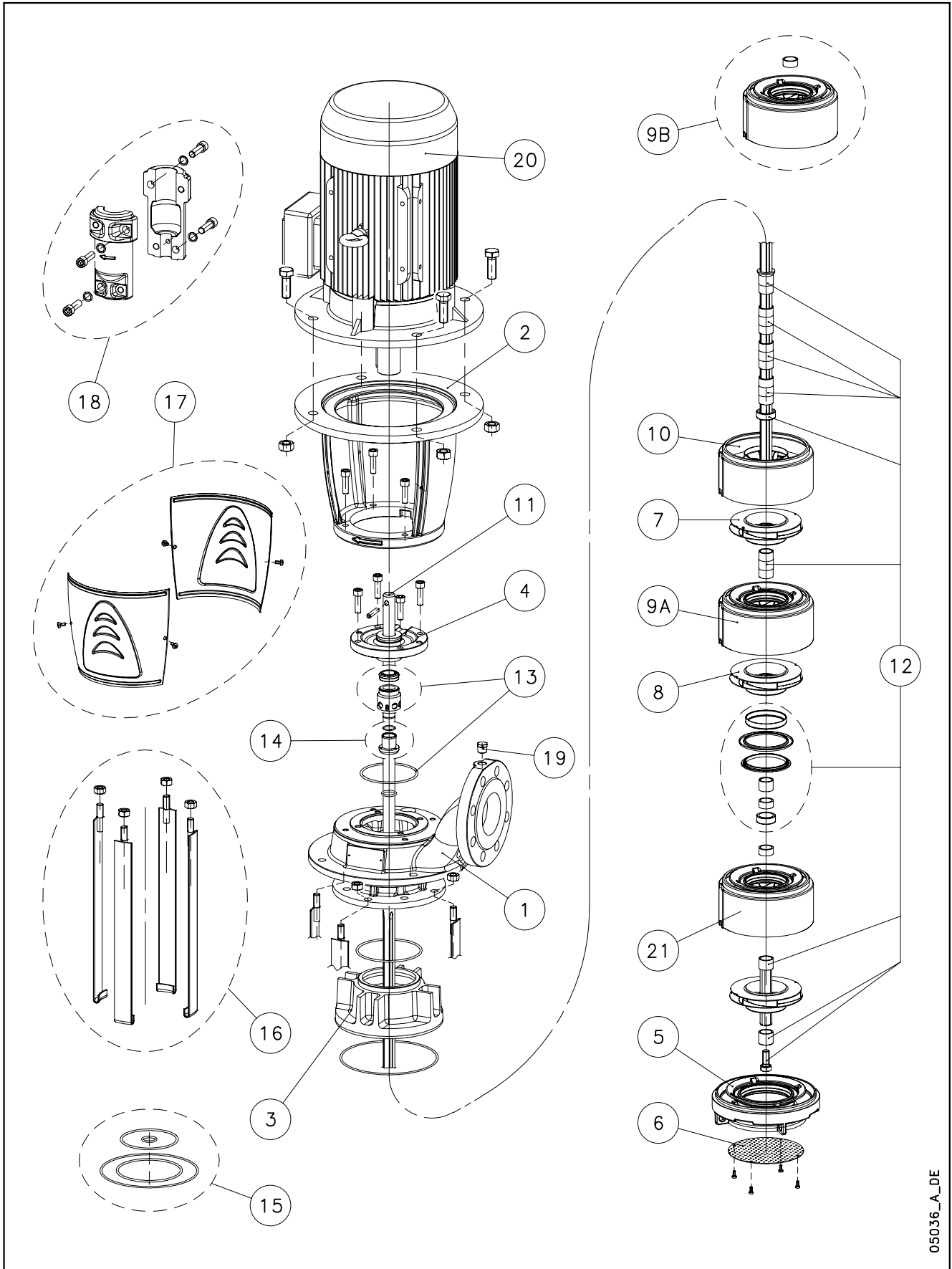


SVI 33-92



05036_A_DE

Lowara and Vogel Pumpen are a trademark of Xylem Inc. or one of its subsidiaries. Goulds is a registered trademark of Goulds Pumps, Inc. and is used under license.

N.	Descrizione It	Description en	Description fr	Beschreibung de	Descripción es	Descrição pt
1	Corpo pompa	Pump body	Corps de pompe	Pumpengehäuse	Caja bomba	Corpo da bomba
2	Lanterna	Adaptor	Lanterne	Motorlaterne	Adaptador	Adaptador
3	Flangia adattatrice	Adapter flange	Bride d' adaptation	Adapterflansch	Brida adaptadora	Flange de adaptação
4	Disco porta tenuta	Seal housing disc	Disque de support garniture	Dichtungsdeckel	Disco de alojamiento sello	Disco porta-vedante
5	Coperchio aspirazione	Suction cover	Couvercle d'aspiration	Abdeckung	Tapa de aspiración	Tampa de aspiração
6	Filtro	Strainer	Filtre	Filter	Filtro	Filtro
7	Girante ridotta	Reduced impeller	Roue réduite	Lauftrad, reduzierter Durchmesser	Rodete, reducido	Impulsor reduzido
8	Girante piena	Full impeller	Roue pleine	Lauftrad, voller Durchmesser	Rodete, completo	Impulsor completo
9A	Diffusore boccola carbone	Diffuser carbon bush	Diffuseur douille carbone	Diffusor und Büchse Kohle	Difusor casquillo carbón	Difusor bucha carvão
9B	Diffusore boccola Widia	Diffuser tungsten bush	Diffuseur douille Widia	Diffusor und Büchse Widia	Difusor casquillo Widia	Difusor bucha tungstênio
10	Diffusore finale	Last stage diffuser	Diffuseur dernier étage	Enddiffusor	Difusor final	Difusor final
11	Albero	Shaft	Arbre	Welle	Árbol	Veio
12	Kit parti di usura	Wear parts kit	Kit parties d'usure	Verschleißteile [Satz]	Kit piezas de desgaste	Kit peças desgastáveis
13	Kit tenuta mecc. + OR	Mechanical seal + OR kit	Kit garniture méc. + joints toriques	Gleitringdichtung + O-Ring [Satz]	Kit sello mec. + junta tórica	Kit Empanque mec. + OR
14	Kit bussola tenuta	Bush seal kit	Kit douille garniture	Gleitringdichtungsarretierung mitnehmer	Kit casquillo sello	kit bucha vedante
15	Kit guarnizioni OR	O ring kit	Kit joints toriques	Dichtungssatz	Kit juntas tóricas	Kit guarnições OR
16	Kit tiranti	Tensioners kit	Kit tirants	Zugstangen [Satz]	Kit tirantes	Kit tirantes
17	Kit protezione giunto	Coupling guard kit	Kit protection manchon	Kupplungsschutz [Satz]	Kit protección junta	Kit protecção junta
18	Kit coppia di semigiunti	Half coupling kit	Kit paire de demi-manchons	Kupplung [Satz]	Kit par de semijuntas	Kit par de semi-juntas
19	Tappo	Plug	Bouchon	Stopfen	Tapon	Tampão
20	Motore	Motor	Moteur	Motor	Motor	Motor
21	Diffusore iniziale	Initial diffuser	Premier diffuseur	Erste Diffusor	Difusor initial	Primeiro difusor
N.	Beschrijving nl	Περιγραφή el	Açıklama tr	Kuvaus fi	Описание ru	Opis pl
1	Pomphuis	Σώμα αντλίας	Pompa gövdesi	Pumpun runko	Корпус насоса	Korpus pompy
2	Lantaarnstuk	Μπρακέτο	Adaptör	Sovitin	Крестовина	Piasta
3	Verbingsflens	φλάντζα προσαρμογέα	Adapte flanş	Sovitinlaippa	Адаптер фланца	Łącznik kołnierzowy
4	Dichtingssteunplaat	Δίσκος μηχανικού στυπιοθλίπτη	Sızdırmazlık elemanı diski	Tiivisteen kannatuslevy	Пластина держателя прокладки	Tarcza uszczelki
5	Aanzuigkap	Καπάκι αναρρόφησης	Emme kapağı	Imu kattamaan (imulaippa)	Крышка всасывания	Pokrywa ssania
6	Filter	Φίλτρο	Filtre	Suodatin	Фильтр	Filtr
7	Waaier met verkleinde diameter	Πτερύγιο μειωμένης διαμέτρου	Küçük boylu pompa rotoru	Pieni juoksupyörä	Уменьшенное рабочее колесо	Wirnik niepełny
8	Volle waaier	Πτερύγιο πλήρους διαμέτρου	Tam boylu pompa rotoru	Täydellinen juoksupyörä	Полное рабочее колесо	Wirnik pełny
9A	Diffusor koollager	κουτί στάδιο με θάμνο θάμνο άνθρακα	Burçlu difüzör Karbon	Diffusori ja hiiliholkki	Диффузор втулки угля	Dyfuzor tulejki (węgla)
9B	Diffusor Widia	κουτί στάδιο με θάμνο θάμνο βολφραμίου	Burçlu difüzör Tungsten	Diffusori ja kovametalliholkki	Диффузор втулки Widia	Dyfuzor tulejki (Wolfram)
10	Diffusor laatste trap	Τελευταίο πτερύγιο εκτροπής	Son difüzör	Loppuvaiheen diffusori	Конечный диффузор	Dyfuzor końcowy
11	As	Άξονας	Mil	Akseli	Вал	Wał
12	Set slijtonderdelen	Σετ δακτυλίων τριβής	Aşınma parçaları kiti	Kulumisiosien sarja	Комплект изнашиваемых частей	Zestaw części podl. zużyciu
13	Set mech. asafdichting + O-ring	Μηχανικός στυπιοθλίπτης και ροδέλες στεγανοποίησης	Mekanik salmastra kiti + O-Ring	Mek. tiiviste + O-rengassarja	Комплект мех. печать + OR	Zestaw uszcz.mech. + OR
14	Set afdichtingsbus	Σετ κουζινέτου μηχανικού στυπιοθλίπτη	Sızdırmazlık elemanı burcu kiti	Holkki ja tiiviste	Комплект втулки уплотнения	Zestaw busoli uszczel.
15	Set O-ringafdichtingen	Σετ ροδέλες στεγανοποίησης	O-Ring kiti	O-rengassarja	Комплект кольцевых прокладок OR	Zestaw uszczelek OR
16	Set trekstangen	Σετ ράβδων σύνδεσης	Gergi çubuğu kiti	Vetotankosarja	Комплект тяг	Zestaw napinaczy
17	Set koppelingsbescherming	Καλύμματα προστασίας σταθερού συνδέσμου	Manşon koruma kiti	Liitoksen suojuassarja	Комплект защиты муфт	Zestaw ochronny złącza
18	Set koppelingshelften	Σετ σταθερού συνδέσμου	Çift yarım manşon kiti	Liitinsarja	Комплект пары полумуфт	Zestaw pary półzłączy
19	Plug	πώμα	Tıpa	Tulppa	пробка	Zatyczka
20	Motor	Πλήρης κινητήρας	Motor	Moottori	Двигатель	Silnik
21	Eerste diffusor	Πρώτο πτερύγιο εκτροπής	İlk difüzör	Ensidiffusori	начальной Диффузор	Początkowego dyfuzor

SVI33N 2 Pole

ELP 2 P, 3 ~										
SVI - 3 ~ >	3301/1-01N22T	3301-01N30T	3302/2-02N40T	3302/1-02N40T	3303/2-03N55T	3303-03N75T	3304-04N110T	3305/1-05N110T	3306/2-06N150T	3307/2-07N150T
	101705940	101705950	101705960	101705970	101705990	101706010	101706040	101706060	101706080	101706110
3 ~ >	3307-07N185T	3308/1-08N185T	3309/1-09N220T	3310/2-10N220T	3310/10N300T					
	101706130	101706150	101706180	101706200	101706220					
Mot power kW >	2.0	3.0	4.0	4.0	5.5	7.5	11.0	11.0	15.0	15.0
	18.5	18.5	22.0	22.0	30.0					
Stages number	1	1	2	2	3	3	4	5	6	7
	7	8	9	10	10					

Single Unit and Kit

Stages >	1	2	3	4	5	6	7	8	9	10
11 Shaft AF51 Stg	165045630	165045640	165045650	165045660	165045670	165045680	165045690	165045700	165045710	165045720
16 Tensioners kit	KL22AH8	KL22AH9	KL22AKA	KL22AKB	KL22AKC	KL22AKD	KL22AKE	KL22AKF	KL22AKG	KL22AKH

Motor, Coupling, Adaptor

20**	kw >	2,2	3,0	4,0	5,5	7,5	11,0	15,0	15,0	18,5	22,0
Motor 2P, 3 ~	107230220	50002RF00	50008VG00	50013VE00	50017VB00	50019VE00	50024VB00	50024VX00	50025VX00	50026VY00	
	23064644W										
18 Half coupling	KL10AAA	KL10AAB	KL10AAB	KL10AAC	KL10AAC	KL10AAD	KL10AAD	KL10AAD	KL10AAD	KL10AAE	
	KL10AAF										
17 Coupling guar	KL33AAA	KL33AAA	KL33AAA	KL33AAB	KL33AAB	KL33AAC	KL33AAC	KL33AAC	KL33AAC	KL33AAC	
	KL33AAC										
2 Adaptor	161453600	161453620	161453620	161453640	161453640	161453660	161453660	161453660	161453660	161453660	
	161453680										

SVI -	->3304	->3307	->3309/1	->3310
	1 bearing	2 bearing	2 bearing	3 bearing

12* Wear Parts Kit	KL35AD3	KL35AD4	KL35AD5	KL35AD6
--------------------	---------	---------	---------	---------

Mech seal Kit D22 + OR

13**	Materials ->	Q1BVGG	KL01AC2	STD -> Q1BVGG - OR FPM
		Q1Q1VGG	KL01AC3	
		Q1Q1EGG	KL01AC1	
		Q1Q1TGG	KL01AC6	
		Q1CTGG	KL01AC5	
		Q1Q1TGG	KL01AC6	

Common, Single Unit and Kit

01	Pump body DN80	161441330	
03	Adapter flange	161441310	
04	Seal housing disc	160102850	
	Seal housing disc with stop k	150102900	
05	Suction cover	158600250	
06	Strainer	164600730	
07*	Reduced impeller	150702820	
08*	Full impeller	150702740	For ex. SVI3303/2-03 = 3 Impellers: 2 Imp. Reduced, 1 Imp. Full, 3 STages
09A	Diffuser carbon bush	152802732	316 SS
09B	Diffuser - Bearing	152802772	316 SS
10	Last stage diffuser	152802612	316 SS
	Last Diffuser - Bearing	152802692	316 SS - Pump std with 1 imp
14	Bush seal kit	KL41AAH	
15*	O-Ring kit	FPM	KL02ABS
		EPDM	KL02ABU
		FEP	KL02AB2
19	Plug	168400140	
21	Initial diffuser - Bearing	152802812	316 SS

Initial diffuser - Bearing : with hole to permit priming
Last stage diffuser - Bearing : with hole to permit priming

About SVI 33 - 46 - 66 - 92 with longer stem spare parts pls ask to Factory each pump specifically

- * Recommended spare parts - Parti di ricambio consigliate
- * Pièces détachées conseillées - Empfohlene Ersatzteile
- ** Motor spare parts: see motor lists - Parti di ricambio motore: vedi liste motore
- ** Pièces détachées Moteur : voir listes moteur - Motor-Ersatzteile: gem. Motorlisten

SVI46N 2 Pole

Production date > Apr09

ELP 2 P, 3 ~										
SVI - 3 ~ >	4601/1-01N30T	4601-01N40T	4602/2-02N55T	4602-02N75T	4603-03N110T	4604/2-04N150T	4605-05N185T	4606-06N220T	4607/2-07N300T	4608/2-08N300T
	101707500	101707510	101707520	101707530	101707550	101707560	101707590	101707610	101707620	101707640
3 ~ >	4609/2-09N300T									
	101707660									
Mot power kW >	3.0	4.0	5.5	7.5	11.0	15.0	18.5	22.0	30.0	30.0
	30.0									
Stages number	1	1	2	2	3	4	5	6	7	8
	9									

Single Unit and Kit

	Stages >	1	2	3	4	5	6	7	8	9
11	Shaft AF51 Steel	165045630	165045640	165045650	165045660	165045670	165045680	165045690	165045700	165045710
16	Tensioners kit	KL22AH8	KL22AH9	KL22AKA	KL22AKB	KL22AKC	KL22AKD	KL22AKE	KL22AKF	KL22AKG

Motor, Coupling, Adaptor

20**	kW >	3.0	4.0	5.5	7.5	11.0	15.0	18.5	22.0	30.0
	Motor 2P, 3~>	50002RF00	50008VG00	50013VE00	50017VB00	50019VE00	50024VB00	50025VB00	50026VE00	23064644W
18	Half coupling kit	KL10AAB	KL10AAB	KL10AAC	KL10AAC	KL10AAD	KL10AAD	KL10AAD	KL10AAE	KL10AAF
17	Coupling guard kit	KL33AAA	KL33AAA	KL33AAB	KL33AAB	KL33AAC	KL33AAC	KL33AAC	KL33AAC	KL33AAC
2	Adaptor	161453620	161453620	161453640	161453640	161453660	161453660	161453660	161453660	161453680

SVI -	4604/2	4607/2	4609/2
	1 bearing	2 bearing	3 bearing

12*	Wear Parts Kit	KL35AD7	KL35AD8	KL35AD9
-----	----------------	---------	---------	---------

Mech seal Kit D22 + OR

13**	Materials ->	Q1BVGG	KL01AC2	STD -> Q1BVGG - OR FPM
		Q1Q1VGG	KL01AC3	
		Q1Q1EGG	KL01AC1	
		Q1Q1TGG	KL01AC6	
		Q1CTGG	KL01AC5	
		Q1Q1TGG	KL01AC6	

Common, Single Unit and Kit

01	Pump body DN80	161441330	
03	Adapter flange	161441310	
04	Seal housing disc	160102850	
	Seal housing disc with stop key	150102900	
05	Suction cover	158600260	
06	Strainer	164600730	
07*	Reduced impeller	150702830	
08*	Full impeller	150702750	Example. SVI4604/2-04 = 4 Impellers: 2 Imp. Reduced, 2 Imp. Full, 4 Stages
09A	Diffuser carbon bush	152802742	316 SS
09B	Diffuser - Bearing	152802782	316 SS
10	Last stage diffuser	152802612	316 SS
	Last Diffuser - Bearing	152802692	316 SS - Pump std with 1 imp
14	Bush seal kit	KL41AAH	
15*	O-Ring kit	FPM	KL02ABS
		EPDM	KL02ABU
		FEP	KL02AB2
19	Plug	168400140	
21	Initial diffuser - Bearing	152802822	316 SS

Initial diffuser - Bearing : with hole to permit priming

Last stage diffuser - Bearing : with hole to permit priming

About SVI 33 - 46 - 66 - 92 with longer stem spare parts pls ask to Factory each pump specifically

* Recommended spare parts - Parti di ricambio consigliate

* Pièces détachées conseillées - Empfohlene Ersatzteile

** Motor spare parts: see motor lists - Parti di ricambio motore: vedi liste motore

** Pièces détachées Moteur : voir listes moteur - Motor-Ersatzteile: gem. Motorlisten

SVI33-92N_5_Apr09_EdD

SVI66N 2 Pole

ELP 2 P, 3 ~	6601/1-01N40T	6601-01N55T	6602/2-02N75T	6602-02N110T	6603/2-03N150T	6603-03N185T	6604/1-04N220T	6605/1-05N300T
SVI - 3 ~ >	101708790	101708800	101708810	101708830	101708840	101708860	101708870	101708910
Mot power kW >	4.0	5.5	7.5	11.0	15.0	18.5	22.0	30.0
Stages number	1	1	2	2	3	3	4	5

Single Unit and Kit

Stages >	1	2	3	4	5
11 Shaft AF51 Steel	165045360	165045370	165045380	165045390	165045410
16 Tensioners kit	KL22AKP	KL22AKQ	KL22AKR	KL22AKS	KL22AKD

Motor, Coupling, Motor Adaptor

20**	kW >	4.0	5.5	7.5	11.0	15.0	18.5	22.0	30.0
Motor 2P, 3~ >	50008VVG00	50013VE00	50017VB00	50019VE00	50024VX00	50025VX00	50026VY00	23064644W	
18 Half coupling kit	KL10AAB	KL10AAC	KL10AAC	KL10AAD	KL10AAD	KL10AAD	KL10AAE	KL10AAF	
17 Coupling guard kit	KL33AAA	KL33AAB	KL33AAB	KL33AAC	KL33AAC	KL33AAC	KL33AAC	KL33AAC	
02 Adaptor	161453620	161453640	161453640	161453660	161453660	161453660	161453660	161453680	

SVI -	->6603	->6605/1
	1 bearing	1 bearing

12* Wear Parts kit	KL35AEA	KL35AEB
--------------------	---------	---------

Mech seal Kit D22 + OR

13**	Materials ->	Q1BVGG	KL01AC2	STD -> Q1BVGG - OR FPM
		Q1Q1VGG	KL01AC3	
		Q1Q1EGG	KL01AC1	
		Q1Q1TGG	KL01AC6	
		Q1CTGG	KL01AC5	
		Q1Q1TGG	KL01AC6	

Common, Single Unit and Kit

01	Pump body DN80	161441330	
03	Adapter flange	161441320	
04	Seal housing disc	160102850	
	Seal housing disc with stop key	150102900	
05	Suction cover	158600270	
06	Strainer	164600730	
07*	Reduced impeller	150702840	
08*	Full impeller	150702760	Example. SVI6604/1-04 = 4 Impellers: 1 Imp. Reduced, 3 Imp. Full, 4 Stages
09A	Diffuser carbon bush	152802752	316 SS
09B	Diffuser - Bearing	152802792	316 SS
10	Last stage diffuser	152802632	316 SS
	Last Diffuser - Bearing	152802712	316 SS - Pump std with 1 imp
14	Bush seal kit	KL41AAH	
15*	O-Ring kit	FPM	KL02ABT
		EPDM	KL02ABV
		FEP	KL02AB3
19	Plug	168400140	
21	Initial diffuser - Bearing	152802832	316 SS

Initial diffuser - Bearing : with hole to permit priming

Last stage diffuser - Bearing : with hole to permit priming

About SVI 33 - 46 - 66 - 92 with longer stem spare parts pls ask to Factory each pump specifically

* Recommended spare parts - Parti di ricambio consigliate

* Pièces détachées conseillées - Empfohlene Ersatzteile

** Motor spare parts: see motor lists - Parti di ricambio motore: vedi liste motore

** Pièces détachées Moteur : voir listes moteur - Motor-Ersatzteile: gem. Motorlisten

SVI33-92N_5_Apr09_EdD

ELP 2 P, 3 ~								
SVI - 3 ~ >	9201/1-01N55T 101709730	9201-01N75T 101709740	9202/2-02N110T 101709750	9202-02N150T 101709760	9203/2-03N185 101709770	9203-03N220T 101709780	9204/2-04N300 101709790	9204-04N300T 101709800
Mot power kW >	5.5	7.5	11.0	15.0	18.5	22.0	30.0	30.0
Stages number	1	1	2	2	3	3	4	4

Single Unit and Kit

Stages	1	2	3	4
11 Shaft 431 S.S.	165045360	165045370	165045380	165045390
16 Tensioners kit SVI	KL22AKP	KL22AKQ	KL22AKR	KL22AKS

Motor, Coupling, Motor Adaptor

20**	kW ->	5.5	7.5	11.0	15.0	18.5	22.0	30.0
	Mot. 2P, 3~ ->	50013VE00	50017VB00	50019VE00	50024VB00	53025VX00	53026VY00	23064644W
18	Half coupling kit	KL10AAC	KL10AAC	KL10AAD	KL10AAD	KL10AAD	KL10AAE	KL10AAF
17	Coupling guard kit	KL33AAB	KL33AAB	KL33AAC	KL33AAC	KL33AAC	KL33AAC	KL33AAC
02	Adaptor	161453640	161453640	161453660	161453660	161453660	161453660	161453680

SVI -	->9203	->9204/2
	1 bearing	2 bearing

*12	Wear parts Kit	KL35AEC	KL35AED
-----	----------------	---------	---------

Mech seal Kit D22 + OR

13**	Materials ->	Q1BVGG	KL01AC2	STD -> Q1BVGG - OR FPM
		Q1Q1VGG	KL01AC3	
		Q1Q1EGG	KL01AC1	
		Q1Q1TGG	KL01AC6	
		Q1CTGG	KL01AC5	
		Q1Q1TGG	KL01AC6	

Common, Single Unit and Kit

01	Pump body	DN80	161441330	
03	Adapter flange		161441320	
04	Seal housing disc		160102850	
	Seal housing disc with stop key		150102900	
05	Suction cover		158600280	
06	Strainer		164600730	
07*	Reduced impeller		150702850	
08*	Full impeller		150702770	Example. SVI9203/2-03 = 3 Impellers: 2 Imp. Reduced, 1 Imp. Full, 3 Stages
09A	Diffuser carbon bush		152802762	316 SS
09B	Diffuser - Bearing		152802802	316 SS
10	Last stage diffuser		152802632	316 SS
	Last stage diffuser - Bearing		152802712	316 SS - Pump std with 1 imp
14	Bush seal kit		KL41AAH	
15*	O-Ring kit	FPM	KL02ABT	
		EPDM	KL02ABV	
		FEP	KL02AB3	
19	Plug		168400140	
21	Initial diffuser - Bearing		152802842	316 SS

Initial diffuser - Bearing : with hole to permit priming

Last stage diffuser - Bearing : with hole to permit priming

About SVI 33 - 46 - 66 - 92 with longer stem spare parts pls ask to Factory each pump specifically

* Recommended spare parts - Parti di ricambio consigliate

* Pièces détachées conseillées - Empfohlene Ersatzteile

** Motor spare parts: see motor lists - Parti di ricambio motore: vedi liste motore

** Pièces détachées Moteur : voir listes moteur - Motor-Ersatzteile: gem. Motorlisten

SVI33-92N_5_Apr09_EdD