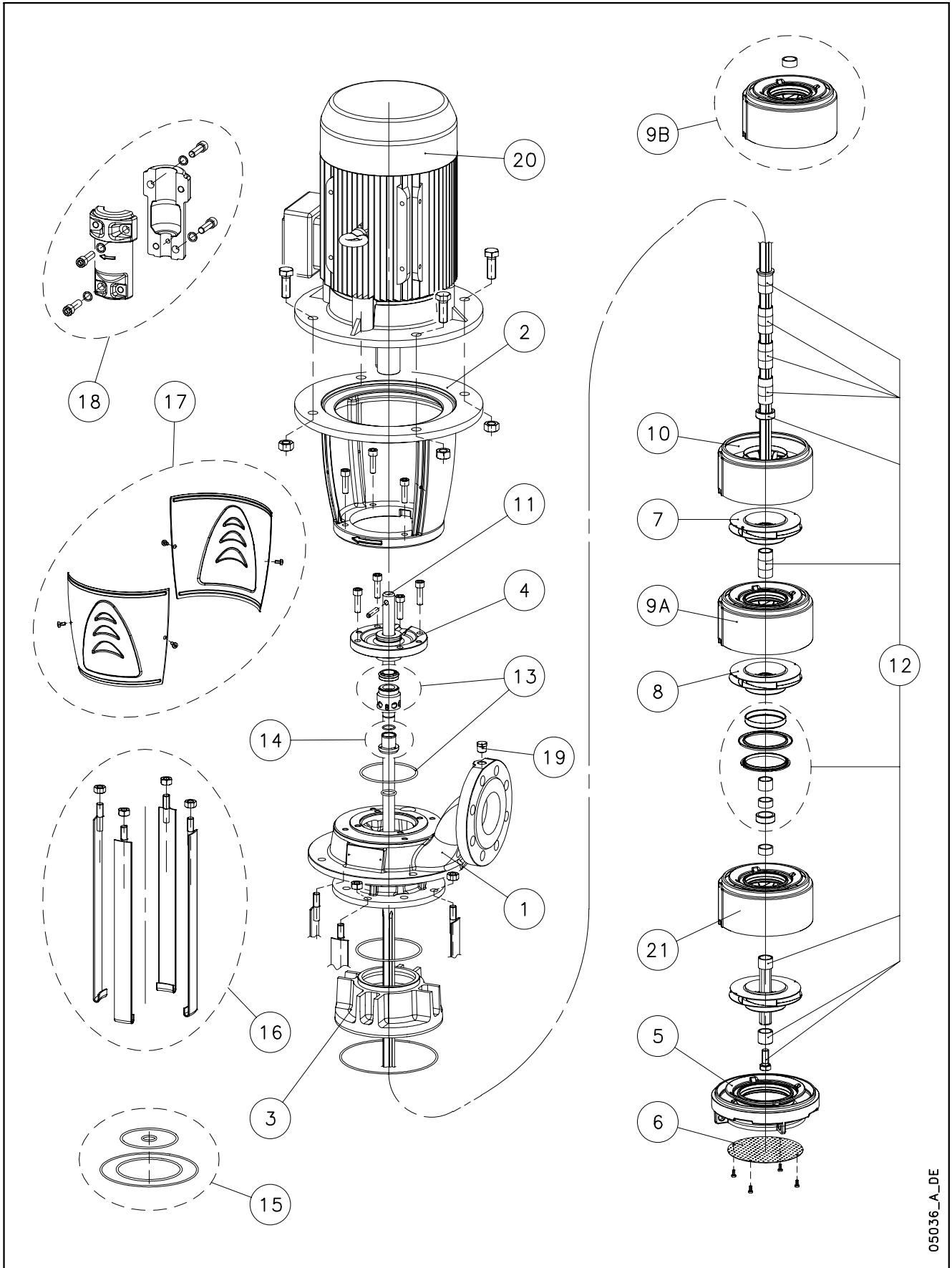


SVI 33-92



05036_A_DE

Lowara and Vogel Pumpen are a trademark of Xylem Inc. or one of its subsidiaries. Goulds is a registered trademark of Goulds Pumps, Inc. and is used under license.

N.	Descrizione It	Description en	Description fr	Beschreibung de	Descripción es	Descrição pt
1	Corpo pompa	Pump body	Corps de pompe	Pumpengehäuse	Caja bomba	Corpo da bomba
2	Lanterna	Adapter	Lanterne	Motorlaterne	Adaptador	Adaptador
3	Flangia adattatrice	Adapter flange	Bride d' adaptation	Adapterflansch	Brida adaptadora	Flange de adaptação
4	Disco porta tenuta	Seal housing disc	Disque de support garniture	Dichtungsdeckel	Disco de alojamiento sello	Disco porta-vedante
5	Coperchio aspirazione	Suction cover	Couvercle d'aspiration	Abdeckung	Tapa de aspiración	Tampa de aspiração
6	Filtro	Strainer	Filtre	Filter	Filtro	Filtro
7	Girante ridotta	Reduced impeller	Roue réduite	Laufgrad, reduzierter Durchmesser	Rodete, reducido	Impulsor reduzido
8	Girante piena	Full impeller	Roue pleine	Laufgrad, voller Durchmesser	Rodete, completo	Impulsor completo
9A	Diffusore boccola carbone	Diffuser carbon bush	Diffuseur douille carbone	Diffusor und Büchse Kohle	Difusor casquillo carbón	Difusor bucha carvão
9B	Diffusore boccola Widia	Diffuser tungsten bush	Diffuseur douille Widia	Diffusor und Büchse Widia	Difusor casquillo Widia	Difusor bucha tungstênio
10	Diffusore finale	Last stage diffuser	Diffuseur dernier étage	Enddiffusor	Difusor final	Difusor final
11	Albero	Shaft	Arbre	Welle	Árbol	Veio
12	Kit parti di usura	Wear parts kit	Kit parties d'usure	Verschleißteile [Satz]	Kit piezas de desgaste	Kit peças desgastáveis
13	Kit tenuta mecc. + OR	Mechanical seal + OR kit	Kit garniture méc. + joints toriques	Gleitringdichtung + O-Ring [Satz]	Kit sello mec. + junta tórica	Kit Empanque mec. + OR
14	Kit bussola tenuta	Bush seal kit	Kit douille garniture	Gleitringdichtungsarretierung mitnehmer	Kit casquillo sello	kit bucha vedante
15	Kit guarnizioni OR	O ring kit	Kit joints toriques	Dichtungssatz	Kit juntas tóricas	Kit guarnições OR
16	Kit tiranti	Tensioners kit	Kit tirants	Zugstangen [Satz]	Kit tirantes	Kit tirantes
17	Kit protezione giunto	Coupling guard kit	Kit protection manchon	Kupplungsschutz [Satz]	Kit protección junta	Kit protecção junta
18	Kit coppia di semigiunti	Half coupling kit	Kit paire de demi-manchons	Kupplung [Satz]	Kit par de semijuntas	Kit par de semi-juntas
19	Tappo	Plug	Bouchon	Stopfen	Tapon	Tampão
20	Motore	Motor	Moteur	Motor	Motor	Motor
21	Diffusore iniziale	Initial diffuser	Premier diffuseur	Erste Diffusor	Difusor initial	Primeiro difusor
N.	Beschrijving nl	Περιγραφή el	Açıklama tr	Kuvauus fi	Описание ru	Opis pl
1	Pomphuis	Σώμα αντλίας	Pompa gövdesi	Pumpun runko	Корпус насоса	Korpus pompy
2	Lantaarnstuk	Μπρακέτο	Adaptör	Sovitin	Крестовина	Piasta
3	Verbingsflens	φλάντζα προσαρμογέα	Adapte flanş	Sovitinlaippa	Адаптер фланца	Łącznik kolnierzowy
4	Dichtingssteunplaat	Δίσκος μηχανικού στυπιοθλίπτη	Sızdırmazlık elemanı diski	Tiivisteenn kannatuslevy	Пластина держателя прокладки	Tarcza uszczelki
5	Aanzuigkap	Καπάκι αναρρόφησης	Emme kapağı	Imu kattamaan (imulaippa)	Крышка всасывания	Pokrywa ssania
6	Filter	Φίλτρο	Filtre	Suodatin	Фильтр	Filtr
7	Waaier met verkleinde diameter	Πτερύγιο μειωμένης διαμέτρου	Küçük boyulu pompa rotoru	Pieni juoksupyörä	Уменьшенное рабочее колесо	Wirnik niepełny
8	Volle waaier	Πτερύγιο πλήρους διαμέτρου	Tam boyulu pompa rotoru	Täydellinen juoksupyörä	Полное рабочее колесо	Wirnik pełny
9A	Diffusor koollager	κουτί στάδιο με θάμνο θάμνο άνθρακα	Burçlu difüzör Karbon	Diffusori ja hiiliholkki	Диффузор втулки угля	Dyfuzor tulejki (węgla)
9B	Diffusor Widia	κουτί στάδιο με θάμνο θάμνο βολφραμίου	Burçlu difüzör Tungsten	Diffusori ja kovametalliholkki	Диффузор втулки Widia	Dyfuzor tulejki (Wolfram)
10	Diffusor laatste trap	Τελευταίο πτερύγιο εκτροπής	Son difüzör	Loppuvaiheen diffusori	Конечный диффузор	Dyfuzor końcowy
11	As	Άξονας	Mil	Akseli	Вал	Wał
12	Set slijtonderdelen	Σετ δακτυλίων τριβής	Aşınma parçaları kiti	Kulumisiosien sarja	Комплект изнашиваемых частей	Zestaw części podl. zużyciu
13	Set mech. asafdichting + O-ring	Μηχανικός στυπιοθλίπτης και ροδέλες στεγανοποίησης	Mekanik salmastra kiti + O-Ring	Mek. tiiviste + O-rengassarja	Комплект мех. печать + OR	Zestaw uszcz.mech. + OR
14	Set afdichtingsbus	Σετ κουζινέτου μηχανικού στυπιοθλίπτη	Sızdırmazlık elemanı burcu kiti	Holkki ja tiiviste	Комплект втулки уплотнения	Zestaw busoli uszczel.
15	Set O-ringafdichtingen	Σετ ροδέλες στεγανοποίησης	O-Ring kiti	O-rengassarja	Комплект кольцевых прокладок OR	Zestaw uszczetek OR
16	Set trekstangen	Σετ ράβδων σύνδεσης	Gergi çubuğu kiti	Vetotankosarja	Комплект тяг	Zestaw napinaczy
17	Set koppelingsbescherming	Καλύμματα προστασίας σταθερού συνδέσμου	Manşon koruma kiti	Liitoksen suojarja	Комплект защиты муфт	Zestaw ochronny złącza
18	Set koppelingshelften	Σετ σταθερού συνδέσμου	Çift yarım manşon kiti	Liitinsarja	Комплект пары полумуфт	Zestaw pary półzłączy
19	Plug	πώμα	Tıpa	Tulppa	пробка	Zatyczka
20	Motor	Πλήρης κινητήρας	Motor	Moottori	Двигатель	Silnik
21	Eerste diffusor	Πρώτο πτερύγιο εκτροπής	İlk difüzör	Ensidiffusori	начальной Диффузор	Początkowego dyfuzor

Production date > June11

SVI33S 2 Pole (SVI33S/D: motors IE3 fitted)

ELP 2 P, 3 ~										
SVI, IE2 - 3 ~ >	3301/1-01S22T	3301-01S30T	3302/2-02S40T	3302/1-02S40T	3303/2-03S55T	3303-03S75T	3304-04S110T	3305/1-05S110T	3306/2-06S150T	3307/2-07S150T
	3307-07S185T	3308/1-08S185T	3309/1-09S220T	3310/2-10S220T	3310/10S300T					
	104355460	101705470	101705480	101705490	101705510	101705530	101705560	101705580	101705600	101705630
	101705650	101705670	101705700	101705720	104355740					
Note: SVI33-92 2,2 kW and 30 kW : SVI33-92/C										
SVI, IE3 - 3 ~ >	3301/1-01S22T	3301-01S30T	3302/2-02S40T	3302/1-02S40T	3303/2-03S55T	3303-03S75T	3304-04S110T	3305/1-05S110T	3306/2-06S150T	3307/2-07S150T
	3307-07S185T	3308/1-08S185T	3309/1-09S220T	3310/2-10S220T	3310/10S300T					
	104541200	104541210	104541220	104541230	104541240	104541250	104541260	104541270	104541280	104541290
	104541300	104541310	104541320	104541330	104541340					
Mot power kW >	2.2	3.0	4.0	4.0	5.5	7.5	11.0	11.0	15.0	15.0
	18.5	18.5	22.0	22.0	30.0					
Stages number	1	1	2	2	3	3	4	5	6	7
	7	8	9	10	10					

Single Unit and Kit

Stages >	1	2	3	4	5	6	7	8	9	10
11 Shaft 431S.S.	165045631	165045641	165045651	165045661	165045671	165045681	165045691	165045701	165045711	165045721
16 Tensioners kit S	KL22AHY	KL22AHZ	KL22AH0	KL22AH1	KL22AH2	KL22AH3	KL22AH4	KL22AH5	KL22AH6	KL22AH7

Motor, Coupling, Adaptor

20**	kw >	2,2	3,0	4,0	5,5	7,5	11,0	15,0	15,0	18,5
		22.0	30.0							
Motor 2P, 3-, IE2 >		50001RD00	50002RF00	50008VG00	50013VE00	50017VB00	50019VE00	50024VB00	50024VX00	50025VX00
		50026VY00	107242130							
Motor 2P, 3-, IE3 >		50A01RD00	50A02RF00	50A08VL00	50A13VE00	50A17VB00	50A19VE00	50A24VB00	50A24VX00	50A25VX00
		50A26VY00	23064644AW							
18	Half coupling kit	KL10AAA KL10AAE	KL10AAB KL10AAF	KL10AAB	KL10AAC	KL10AAC	KL10AAD	KL10AAD	KL10AAD	KL10AAD
17	Coupling guard kit	KL33AAA	KL33AAA	KL33AAA	KL33AAB	KL33AAB	KL33AAC	KL33AAC	KL33AAC	KL33AAC
		KL33AAC	KL33AAC							
2	Adaptor	161453600	161453620	161453620	161453640	161453640	161453660	161453660	161453660	161453660
		161453680	161453660							

SVI -	->3304	->3307	->3309/1	->3310
	1 bearing	2 bearing	2 bearing	3 bearing

12* Wear Parts Kit	KL35AD3	KL35AD4	KL35AD5	KL35AD6

Mech seal Kit D22 + OR

13**	Materials ->	Q1BVGG	KL01AC2	STD -> Q1BVGG - OR FPM
		Q1Q1VGG	KL01AC3	
		Q1Q1EGG	KL01AC1	
		Q1Q1TGG	KL01AC6	
		Q1CTGG	KL01AC5	
		Q1Q1TGG	KL01AC6	

Common, Single Unit and Kit

01	Pump body DN80	161353880	
03	Adapter flange	161353860	
04	Seal housing disc	160150260	
	Seal housing disc with stop key	150150120	
05	Suction cover	158600250	
06	Strainer	164600730	
07*	Reduced impeller	150702820	
08*	Full impeller	150702740	For ex. SVI3303/2-03 = 3 Impellers: 2 Imp. Reduced, 1 Imp. Full, 3 STages
09A	Diffuser carbon bush	152802730	304 SS
09B	Diffuser - Bearing	152802772	316 SS
10	Last stage diffuser	152802610	304 SS
	Last Diffuser - Bearing	152802692	316 SS - Pump std with 1 imp
14	Bush seal kit	KL41AAH	
15*	O-Ring kit	FPM	KL02ABS
		EPDM	KL02ABU
		FEP	KL02AB2
19	Plug	168400140	
21	Initial diffuser - Bearing	152802812	316 SS

Initial diffuser - Bearing: with hole to permit priming

Last stage diffuser - Bearing: with hole to permit priming

About SVI 33 - 46 - 66 - 92 with longer stem spare parts pls ask to Factory each pump specifically

* Recommended spare parts - Parti di ricambio consigliate

* Pièces détachées conseillées - Empfohlene Ersatzteile

** Motor spare parts: see motor lists - Parti di ricambio motore: vedi liste motore

** Pièces détachées Moteur : voir listes moteur - Motor-Ersatzteile: gem. Motorlisten

SVI33-92S_5_June11_EdC

SVI46S 2 Pole (SVI46S/D: motors IE3 fitted)

ELP 2 P, 3 -										
SVI, IE2 - 3 ~ >	4601/1-01S30T	4601-01S40T	4602/2-02S55T	4602-02S75T	4603-03S110T	4604/2-04S150	4605-05S185T	4606-06S220T	4607/2-07S300	4608/2-08S300
	4609/2-09S300T/C									
	101707140	101707150	101707160	101707170	101707190	101707200	101707230	101707250	104357260	104357280
	104357300									
Note: SVI33-92 2,2 kW and 30 kW : SVI33-92/C										
SVI, IE3 - 3 ~ >	4601/1-01S30T	4601-01S40T	4602/2-02S55T	4602-02S75T	4603-03S110T	4604/2-04S150	4605-05S185T	4606-06S220T	4607/2-07S300	4608/2-08S300
	4609/2-09S300T									
	104541400	104541410	104541420	104541430	104541440	104541450	104541460	104541470	104541480	104541500
	104541520									
Mot power kW >	3.0	4.0	5.5	7.5	11.0	15.0	18.5	22.0	30.0	30.0
	30.0									
Stages number	1	1	2	2	3	4	5	6	7	8
	9									

Single Unit and Kit

Stages >	1	2	3	4	5	6	7	8	9
11 Shaft 431 SS	165045631	165045641	165045651	165045661	165045671	165045681	165045691	165045701	165045711
16 Tensioners kit	KL22AHY	KL22AHZ	KL22AH0	KL22AH1	KL22AH2	KL22AH3	KL22AH4	KL22AH5	KL22AH6

Motor, Single Unit and Kit

20**	Mot power kW >	3.0	4.0	5.5	7.5	11.0	15.0	18.5	22.0	30.0
	Motor 2P, 3-, IE2 >	50002RF00	50008VG00	50013VE00	50017VB00	50019VE00	50024VB00	50025VB00	50026VE00	107242130
	Motor 2P, 3-, IE3 >	50A02RF00	50A08VL00	50013VE00	50A17VB00	50A19VE00	50A24VB00	50A25VX00	50A26VY00	107242620
02	Adaptor	161453620	161453620	161453640	161453640	161453660	161453660	161453660	161453660	161453680
17	Coupling guard kit	KL33AAA	KL33AAA	KL33AAB	KL33AAB	KL33AAC	KL33AAC	KL33AAC	KL33AAC	KL33AAC
18	Half coupling kit	KL10AAB	KL10AAB	KL10AAC	KL10AAC	KL10AAD	KL10AAD	KL10AAD	KL10AAE	KL10AAF

SVI -	4604/2	4607/2	4609/2
	1 bearing	2 bearing	3 bearing

12* Wear Parts Kit	KL35AD7	KL35AD8	KL35AD9
--------------------	---------	---------	---------

Mech seal Kit D22 + OR

13**	Materials ->	Q1BVGG	KL01AC2	STD -> Q1BVGG - OR FPM
		Q1Q1VGG	KL01AC3	
		Q1Q1EGG	KL01AC1	
		Q1Q1TGG	KL01AC6	
		Q1CTGG	KL01AC5	
		Q1Q1TGG	KL01AC6	

Common, Single Unit and Kit

01	Pump body DN80	161353880	
03	Adapter flange	161353860	
04	Seal housing disc	160150260	
	Seal housing disc with stop ke	150150120	
05	Suction cover	158600260	
06	Strainer	164600730	
07*	Reduced impeller	150702830	
08*	Full impeller	150702750	Example. SVI4604/2-04 = 4 Impellers: 2 Imp. Reduced, 2 Imp. Full, 4 Stages
09A	Diffuser carbon bush	152802740	304 SS
09B	Diffuser - Bearing	152802782	316 SS
10	Last stage diffuser	152802610	304 SS
	Last Diffuser - Bearing	152802692	316 SS - Pump std with 1 imp
14	Bush seal kit	KL41AAH	
15*	O-Ring kit	FPM	KL02ABS
		EPDM	KL02ABU
		FEP	KL02AB2
19	Plug	168400140	
21	Initial diffuser - Bearing	152802822	316 SS

Initial diffuser - Bearing: with hole to permit priming

Last stage diffuser - Bearing: with hole to permit priming

About SVI 33 - 46 - 66 - 92 with longer stem spare parts pls ask to Factory each pump specifically

* Recommended spare parts - Parti di ricambio consigliate

* Pièces détachées conseillées - Empfohlene Ersatzteile

** Motor spare parts: see motor lists - Parti di ricambio motore: vedi liste motore

** Pièces détachées Moteur : voir listes moteur - Motor-Ersatzteile: gem. Motorlisten

SVI33-92S_5_June11_EdC

SVI66S 2 Pole (SVI66S/D: motors IE3 fitted)

ELP 2 P, 3 ~								
SVI, IE2 - 3 ~ >	6601/1-01S40T	6601-01S55T	6602/2-02S75T	6602-02S110T	6603/2-03S150T	6603-03S185T	6604/1-04S220T	6605/1-05S300T
	101708480	101708490	101708500	101708520	101708530	101708550	101708570	104358600
	Note: SVI33-92 2,2 kW and 30 kW : SVI33-92/C							
SVI, IE3 - 3 ~ >	6601/1-01S40T	6601-01S55T	6602/2-02S75T	6602-02S110T	6603/2-03S150T	6603-03S185T	6604/1-04S220T	6605/1-05S300T
	104541600	104541610	104541620	104541630	104541640	104541650	104541660	104541670
Mot power kW >	4.0	5.5	7.5	11.0	15.0	18.5	22.0	30.0
Stages number	1	1	2	2	3	3	4	5

Single Unit and Kit

	Stages >	1	2	3	4	5
11	Shaft 431 S.S.	165045361	165045371	165045381	165045391	165045411
16	Tensioners kit SVIS	KL22AKK	KL22AKL	KL22AKM	KL22AKN	KL22AH3

Motor, Coupling, Motor Adaptor

20**	kW >	4.0	5.5	7.5	11.0	15.0	18.5	22.0	30.0
	Motor 2P, 3~, IE2 >	50008VG00	50013VE00	50017VB00	50019VE00	50024VX00	50025VX00	50026VY00	107242130
	Motor 2P, 3~, IE3 >	50A08VL00	50A13VE00	50A17VB00	50A19VE00	50A24VB00	50A25VX00	50A26VY00	107242620
18	Half coupling kit	KL10AAB	KL10AAC	KL10AAC	KL10AAD	KL10AAD	KL10AAD	KL10AAE	KL10AAF
17	Coupling guard kit	KL33AAA	KL33AAB	KL33AAB	KL33AAC	KL33AAC	KL33AAC	KL33AAC	KL33AAC
02	Adaptor	161453620	161453640	161453640	161453660	161453660	161453660	161453660	161453680

SVI -	->6603	->6605/1
	1 bearing	1 bearing

12*	Wear Parts kit	KL35AEA	KL35AEB
-----	----------------	---------	---------

Mech seal Kit D22 + OR

13**	Materials ->	Q1BVGG	KL01AC2	STD -> Q1BVGG - OR FPM
		Q1Q1VGG	KL01AC3	
		Q1Q1EGG	KL01AC1	
		Q1Q1TGG	KL01AC6	
		Q1CTGG	KL01AC5	
		Q1Q1TGG	KL01AC6	

Common, Single Unit and Kit

01	Pump body DN80	161353880	
03	Adapter flange	161353870	
04	Seal housing plate	160150260	
	Seal housing disc with stop key	150150120	
05	Suction cover	158600270	
06	Strainer	164600730	
07*	Reduced impeller	150702840	
08*	Full impeller	150702760	Example. SVI6604/1-04 = 4 Impellers: 1 Imp. Reduced, 3 Imp. Full, 4 STages
09A	Diffuser carbon bush	152802750	304 SS
09B	Diffuser - Bearing	152802792	316 SS
10	Last stage diffuser	152802630	304 SS
	Last Diffuser - Bearing	152802712	316 SS - Pump std with 1 imp
14	Bush seal kit	KL41AAH	
15*	O-Ring kit	FPM	KL02ABT
		EPDM	KL02ABV
		FEP	KL02AB3
19	Plug	168400140	
21	Initial diffuser - Bearing	152802832	316 SS

Initial diffuser - Bearing: with hole to permit priming

Last stage diffuser - Bearing: with hole to permit priming

About SVI 33 - 46 - 66 - 92 with longer stem spare parts pls ask to Factory each pump specifically

* Recommended spare parts - Parti di ricambio consigliate

* Pièces détachées conseillées - Empfohlene Ersatzteile

** Motor spare parts: see motor lists - Parti di ricambio motore: vedi liste motore

** Pièces détachées Moteur : voir listes moteur - Motor-Ersatzteile: gem. Motorlisten

SVI33-92S_5_June11_EdC

SVI92S 2 Pole (SVI92S/D: motors IE3 fitted)

ELP 2 P, 3 ~								
SVI, IE2 - 3 ~ >	9201/1-01S55T	9201-01S75T	9202/2-02S110T	9202-02S150T	9203/2-03S185	9203-03S220T	9204/2-04S300	9204-04S300T
	101709520	101709530	101709540	101709550	101709560	101709570	104359580	104359590
	Note: SVI33-92 2,2 kW and 30 kW : SVI33-92/C							
SVI, IE3 - 3 ~ >	9201/1-01S55T	9201-01S75T	9202/2-02S110T	9202-02S150T	9203/2-03S185	9203-03S220T	9204/2-04S300	9204-04S300T
	104541800	104541810	104541820	104541830	104541840	104541850	104541860	104541870
Mot power kW >	5.5	7.5	11.0	15.0	18.5	22.0	30.0	30.0
Stages number	1	1	2	2	3	3	4	4

Single Unit and Kit

	Stages	1	2	3	4
11	Shaft 431 S.S.	165045361	165045371	165045381	165045391
16	Tensioners kit SVIS	KL22AKK	KL22AKL	KL22AKM	KL22AKN

Motor, Coupling, Motor Adaptor

20**	kW ->	5.5	7.5	11.0	15.0	18.5	22.0	30.0
	Mot. 2P, 3-, IE2 ->	50013VE00	50017VB00	50019VE00	50024VB00	53025VX00	53026VY00	107242130
	Mot. 2P, 3-, IE3 ->	50A13VE00	50A17VB00	50A19VE00	50A24VB00	50A25VX00	50A26VY00	107242620
18	Half coupling kit	KL10AAC	KL10AAC	KL10AAD	KL10AAD	KL10AAD	KL10AAE	KL10AAF
17	Coupling guard kit	KL33AAB	KL33AAB	KL33AAC	KL33AAC	KL33AAC	KL33AAC	KL33AAC
02	Adaptor	161453640	161453640	161453660	161453660	161453660	161453660	161453680

SVI -	->9203	->9204/2
	1 bearing	2 bearing
*12	Wear parts Kit	KL35AEC KL35AED

Mech seal Kit D22 + OR

13**	Materials ->	Q1BVGG	KL01AC2	STD -> Q1BVGG - OR FPM
		Q1Q1VGG	KL01AC3	
		Q1Q1EGG	KL01AC1	
		Q1Q1TGG	KL01AC6	
		Q1CTGG	KL01AC5	
		Q1Q1TGG	KL01AC6	

Common, Single Unit and Kit

01	Pump body DN80	161353880	
03	Adapter flange	161353870	
04	Seal housing plate	160150260	
	Seal housing disc with stop key	150150120	
05	Suction cover	158600280	
06	Strainer	164600730	
07*	Reduced impeller	150702850	
08*	Full impeller	150702770	Example. SVI9203/2-03 = 3 Impellers: 2 Imp. Reduced, 1 Imp. Full, 3 STages
09A	Diffuser carbon bush	152802760	304 SS
09B	Diffuser - Bearing	152802802	316 SS
10	Last stage diffuser	152802630	304 SS
	Last Diffuser - Bearing	152802712	316 SS - Pump std with 1 imp
14	Bush seal kit	KL41AAH	
15*	O-Ring kit	FPM	KL02ABT
		EPDM	KL02ABV
		FEP	KL02AB3
19	Plug	168400140	
21	Initial diffuser - Bearing	152802842	316 SS

Initial diffuser - Bearing: with hole to permit priming

Last stage diffuser - Bearing: with hole to permit priming

About SVI 33 - 46 - 66 - 92 with longer stem spare parts pls ask to Factory each pump specifically

* Recommended spare parts - Parti di ricambio consigliate

* Pièces détachées conseillées - Empfohlene Ersatzteile

** Motor spare parts: see motor lists - Parti di ricambio motore: vedi liste motore

** Pièces détachées Moteur : voir listes moteur - Motor-Ersatzteile: gem. Motorlisten

SVI33-92S_5_June11_EdC