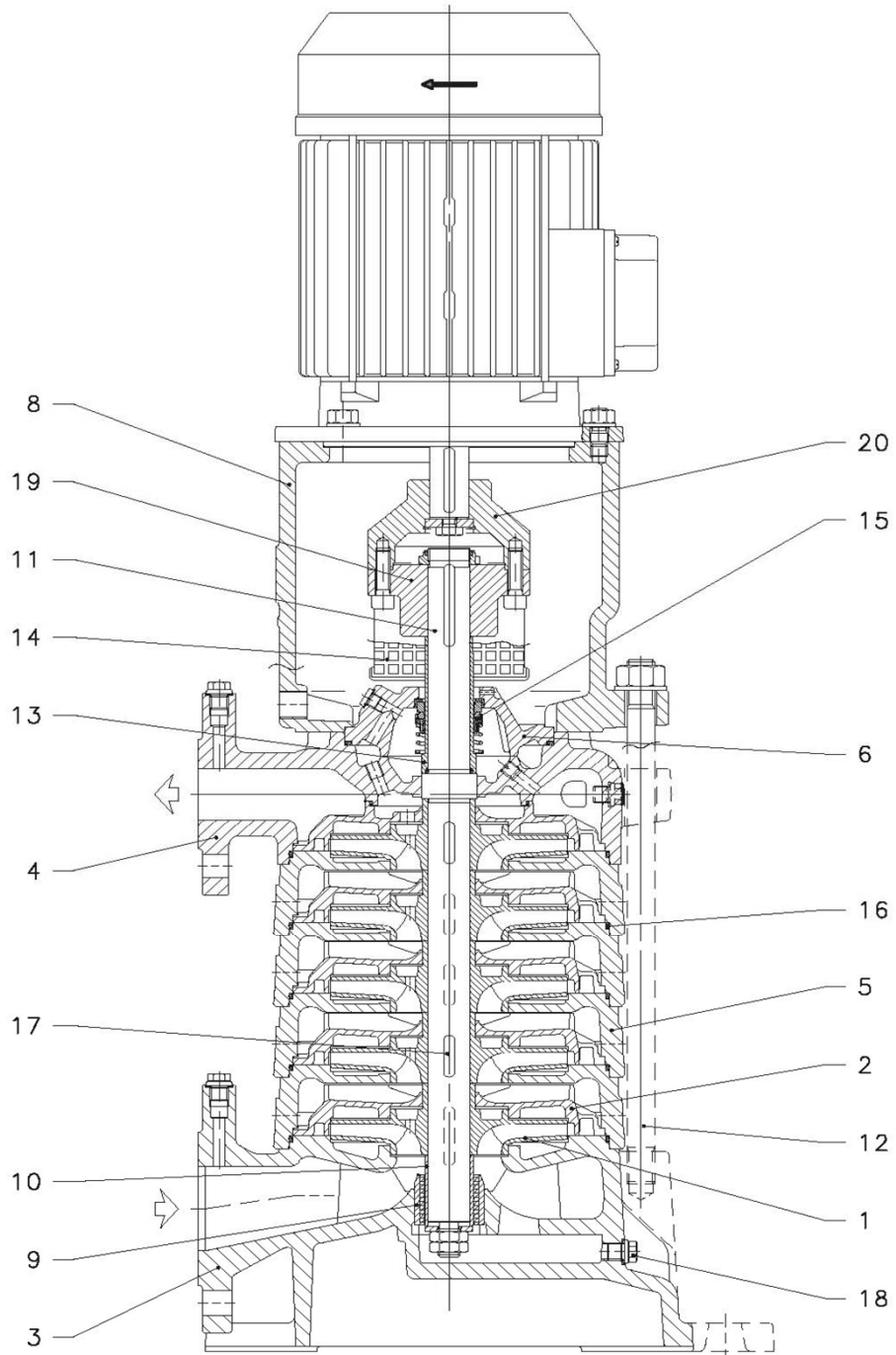
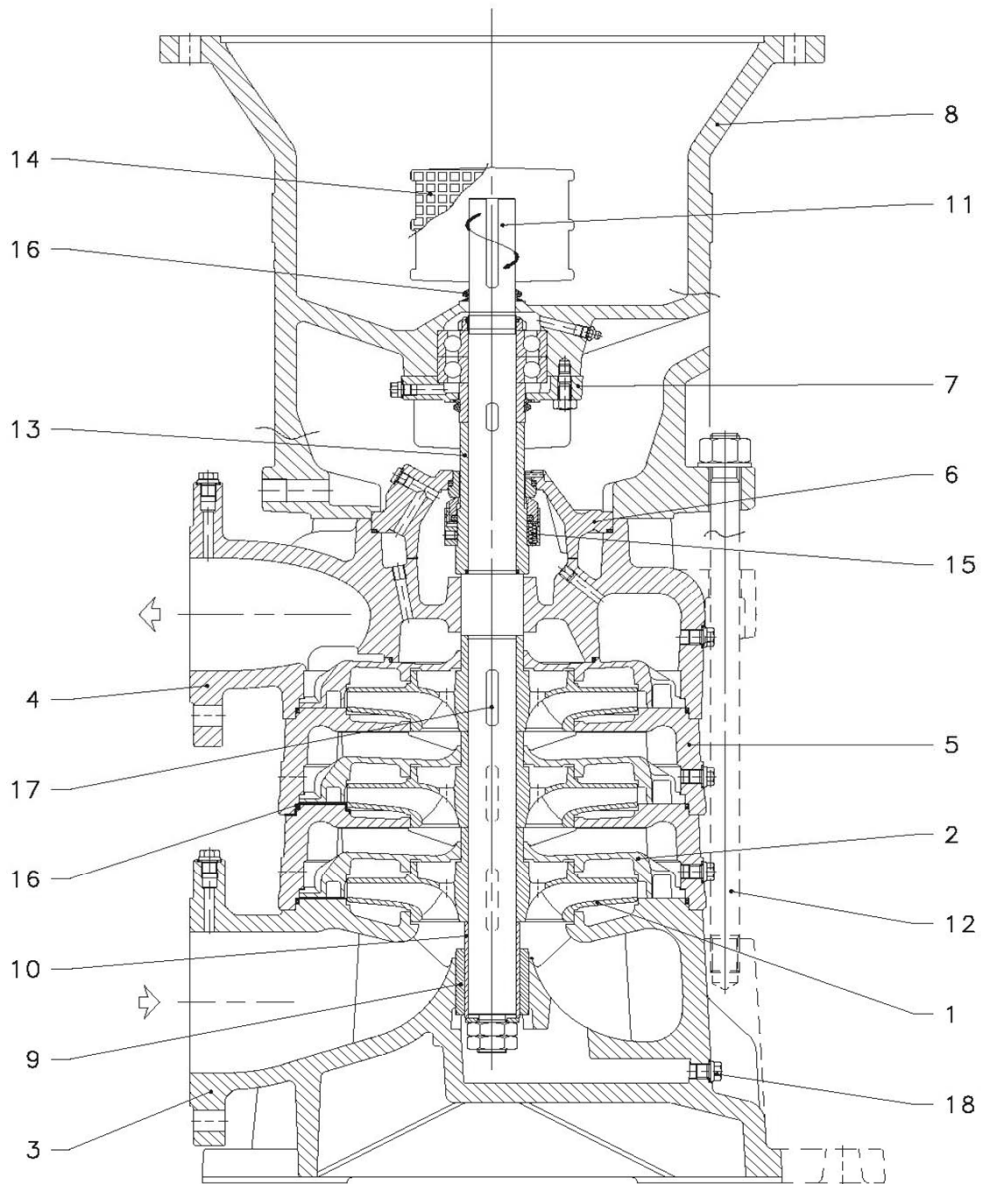


TDB



05404_A_DS

TDV



05408_B_DS

| TDB 22 - TDB 35 | | | | | |
|---|---------|---|-------------------|--------------------|-------------|
| Tipo Design | No. Nr. | Descrizione / Item Name | Esecuzione Design | Materiale Material | Article No. |
| Girante e diffusori / Impeller and diffusers | | | | | |
| TDB 22 | 1 | Girante / Impeller Diametro pieno (170 mm) o tornita / full size (170 mm) or reduced | F | GG25 | 760150770 |
| | | | FB | CC480K | 760120650 |
| | | | FN | CF8M | 760180870 |
| | | | N | CF8M | 760180870 |
| | 2 | Diffusore / Diffuser | F | GG25 | 760251020 |
| | | | FB | | 760251020 |
| | | | FN | CF8M | 760251020 |
| | | | N | | 744125010 |
| | | Diffusore, ultimo stadio / Diffuser, last stage | F | GG25 | 760250120 |
| | | | FB | | 760250120 |
| | | | FN | CF8M | 760250120 |
| | | | N | | 744135010 |
| TDB 35 | 1 | Girante / Impeller Diametro pieno (170 mm) o tornita / Full size (170 mm) or reduced | F | GG25 | 760151040 |
| | | | FB | CC480K | 760120670 |
| | | | FN | CF8M | 760181080 |
| | | | N | CF8M | 760181080 |
| | 2 | Diffusore / Diffuser | F | GG25 | 760250380 |
| | | | FB | | 760250380 |
| | | | FN | CF8M | 760250380 |
| | | | N | | 744125030 |
| | | Diffusore, ultimo stadio / Diffuser, last stage | F | GG25 | 760250160 |
| | | | FB | | 760250160 |
| | | | FN | CF8M | 760250160 |
| | | | N | | 744135030 |
| Corpo completo / Complete body | | | | | |
| con viteria / with screws | | | | | |
| All | 3 | Corpo aspirante / Suction body PN10/16 | F | GG25 | 744310110 |
| | | | FB | | 744310110 |
| | | | FN | CF8M | 744310110 |
| | | | N | | 744310160 |
| con boccola (9) / with bushing (9) G-CuSn16 | | | | | |
| All | 4 | Corpo premente / Delivery body PN10/40 | F | GG25 | 744110350 |
| | | | FB | | 744110350 |
| | | | FN | CF8M | 744110350 |
| | | | N | | 744110360 |
| | | Corpo premente / Delivery body PN63 | F | GG40 | 744110390 |
| | | | FB | | 744110390 |
| | | | FN | CF8M | 744110390 |
| | | | N | | 744110410 |
| | 5 | Corpo stadio / Stage body | F | GG25 | 760650190 |
| | | | FB | | 760650190 |
| | | | FN | CF8M | 760650190 |
| | | | N | | 744145110 |
| Boccole e camicie usura / Bearing bushes and Sleeves | | | | | |
| All | 9 | Boccola / Bushing | F | G-CuSn16 | 762220120 |
| | | | FB | | 762220120 |
| | | | FN | | 762220120 |
| | | | N | | 762220120 |
| | 10 | Camicia albero per boccola / Bushing shaft sleeve | F | A420 | 762370050 |
| | | | FB | | 762370050 |
| | | | FN | A329 | 762370050 |
| | | | N | | 762310070 |
| All | 13 | Camicia albero per tenuta SA / Seal shaft sleeve SA (Tenuta meccanica non bilanciata - Mechanical seal unbalanced) | F | A420 | 763470310 |
| | | | FB | | 763470310 |
| | | | FN | A329 | 763470310 |
| | | | N | | 763411040 |
| | | Camicia albero per tenuta SB / Seal shaft sleeve SB (Tenuta meccanica bilanciata - Mechanical seal balanced) | F | A420 | 763470300 |
| | | | FB | | 763470300 |
| | | | FN | A329 | 763470300 |
| | | | N | | 763411030 |

TDB 22 - TDB 35

Alberi / Shafts

Albero con chiavette (17), dadi e rondella
Shaft with keys (17), nuts and washer

| | | | | | |
|-----|----|---|-----------|------|-----------|
| All | 11 | Albero N° di stadi 1 / Shaft with stage no. 1 | F, FB, FN | A420 | 744320630 |
| | | Albero N° di stadi 2 / Shaft with stage no. 2 | | | 744320650 |
| | | Albero N° di stadi 3 / Shaft with stage no. 3 | | | 744320670 |
| | | Albero N° di stadi 4 / Shaft with stage no. 4 | | | 744320690 |
| | | Albero N° di stadi 5 / Shaft with stage no. 5 | | | 744320710 |
| | | Albero N° di stadi 6 / Shaft with stage no. 6 | | | 744320730 |
| | | Albero N° di stadi 7 / Shaft with stage no. 7 | | | 744320750 |
| | | Albero N° di stadi 8 / Shaft with stage no. 8 | | | 744320770 |
| | | Albero N° di stadi 9 / Shaft with stage no. 9 | | | 744320790 |
| | | Albero N° di stadi 10 / Shaft with stage no. 10 | | | 744320810 |
| | | Albero N° di stadi 11 / Shaft with stage no. 11 | | | 744320830 |
| | | Albero N° di stadi 12 / Shaft with stage no. 12 | | | 744320490 |
| | | Albero N° di stadi 13 / Shaft with stage no. 13 | | | 744320510 |
| | | Albero N° di stadi 14 / Shaft with stage no. 14 | | | 744320530 |
| | | Albero N° di stadi 15 / Shaft with stage no. 15 | | | 744320550 |
| | | Albero N° di stadi 16 / Shaft with stage no. 16 | | | 744320570 |
| | | Albero N° di stadi 17 / Shaft with stage no. 17 | | | 744320590 |
| | | Albero N° di stadi 18 / Shaft with stage no. 18 | | | 744320610 |
| | | | N | A329 | 744320640 |
| | | | | | 744320660 |
| | | | | | 744320680 |
| | | | | | 744320700 |
| | | | | | 744320720 |
| | | | | | 744320740 |
| | | | | | 744320760 |
| | | | | | 744320780 |
| | | | | | 744320800 |
| | | | | | 744320820 |
| | | | | | 744320840 |
| | | | | | 744320500 |
| | | | | | 744320520 |
| | | | | | 744320540 |
| | | | | | 744320560 |
| | | | | | 744320580 |
| | | | | | 744320600 |
| | | | | | 744320620 |

| TDB 22 - TDB 35 | | | | | |
|--|------------------------------------|---|--------------------|------------------------|--|
| Semigiunti accoppiamento / Kit of half coupling | | | | | |
| Semigiunti, rondella, anello, viti / half coupling, washer, ring, screws | | | | | |
| All | 19M 20H | Accoppiamento IEC 90 / Kit of couplings IEC 90 albero 24 mm / shaft 24mm | F FB FN N | GG25 (M), GGG40 (H) | 744315010 744315010 744315010 744315010 |
| | | Accoppiamento IEC 100/112 / Kit of couplings IEC 100/112 albero 28 mm / shaft 28mm | F FB FN N | GG25 (M), GGG40 (H) | 744315020 744315020 744315020 744315020 |
| | | Accoppiamento IEC 132 / Kit of couplings IEC 132 albero 38 mm / shaft 38mm | F FB FN N | GG25 (M), GGG40 (H) | 744315030 744315030 744315030 744315030 |
| | | Accoppiamento IEC 160 / Kit of couplings IEC 160 albero 42 mm / shaft 42mm | F FB FN N | GG25 (M), GGG40 (H) | 744315040 744315040 744315040 744315040 |
| | | Accoppiamento IEC 180 / Kit of couplings IEC 180 albero 48 mm / shaft 48mm | F FB FN N | GG25 (M), GGG40 (H) | 744315050 744315050 744315050 744315050 |
| | | Accoppiamento IEC 200/225 / Kit of couplings IEC 200/225 albero 55 mm / shaft 55mm | F FB FN N | GG25 (M), GGG40 (H) | 744315060 744315060 744315060 744315060 |
| | | Accoppiamento IEC 225/250 / Kit of couplings IEC 225/250 albero 60 mm / shaft 60mm | F FB FN N | GG25 (M), GGG40 (H) | 744315070 744315070 744315070 744315070 |
| | | Accoppiamento IEC 250/280 / Kit of couplings IEC 250/280 albero 65 mm / shaft 65mm | F FB FN N | GG25 (M), GGG40 (H) | 744315080 744315080 744315080 744315080 |
| | O-Ring set / Kit OR | | | | |
| | 16 | Set N° di stadi 1 / Kit for stage no. 1 | F FB FN N | EPDM | 714004110 |
| | | Set N° di stadi 2 / Kit for stage no. 2 | | | 714004220 |
| | | Set N° di stadi 3 / Kit for stage no. 3 | | | 714004240 |
| | | Set N° di stadi 4 / Kit for stage no. 4 | | | 714004250 |
| | | Set N° di stadi 5 / Kit for stage no. 5 | | | 714004260 |
| | | Set N° di stadi 6 / Kit for stage no. 6 | | | 714004270 |
| | | Set N° di stadi 7 / Kit for stage no. 7 | | | 714004280 |
| | | Set N° di stadi 8 / Kit for stage no. 8 | | | 714004290 |
| | | Set N° di stadi 9 / Kit for stage no. 9 | | | 714004300 |
| | | Set N° di stadi 10 / Kit for stage no. 10 | 714004120 | | |
| | | Set N° di stadi 11 / Kit for stage no. 11 | 714004130 | | |
| | | Set N° di stadi 12 / Kit for stage no. 12 | EPDM | 714004140 | |
| | | Set N° di stadi 13 / Kit for stage no. 13 | | 714004150 | |
| | | Set N° di stadi 14 / Kit for stage no. 14 | | 714004160 | |
| | | Set N° di stadi 15 / Kit for stage no. 15 | | 714004170 | |
| | | Set N° di stadi 16 / Kit for stage no. 16 | | 714004180 | |
| | | Set N° di stadi 17 / Kit for stage no. 17 | | 714004190 | |
| | | Set N° di stadi 18 / Kit for stage no. 18 | | 714004200 | |
| | Tenuta meccanica / Mechanical seal | | | | |
| Tenuta meccanica sec. EN12756 / all mechanical seal acc. EN 12756 | | | | | |
| All | 15 | D35, non bilanciata / unbalanced Con soffierto / Bellow type - SA | F / FB/ FN/ N | Q1BEGG | 772240106 |
| | | D35, bilanciata / balanced Con OR /OR type - SB | F / FB/ FN/ N | Q1BEGG | 772240511 |
| All | | Coperchio tenuta / Seal cover | F / FB/ FN N | GG25 CF8M | 744150010 744150020 |

Identificazione - Identification

TDV | 280 | 05 | / | 2A3B | O | FB | 3550 | T | 1 |

Serie | Portata|N. giranti|N.giranti-Diametro giranti|Posizione connessioni|Combinazioni Materiali | Potenza nominale | Trifase | Posizione morsetteria
Series | Capacity|N. impellers |N.impellers-Diameter impellers|Connections Positioning|Materials Combinations|Nominal Power| 3phase | Terminal box positioning

| TDB 58 - TDB 78 | | | | | |
|---|---------|---|-------------------|--------------------|----------------------|
| Tipo Design | No. Nr. | Descrizione / Item Name | Esecuzione Design | Materiale Material | Article No. Art. Nr. |
| Girante e diffusore / Impeller and diffuser | | | | | |
| TDB 58 | 1 | Girante / Impeller Diametro pieno (200 mm) o tornita / full size (200 mm) or reduced | F | GG25 | 760151020 |
| | | | FB | CC480K | 760120640 |
| | | | FN | CF8M | 760181070 |
| | | | N | CF8M | 760181070 |
| | 2 | Diffusore / Diffuser | F | GG25 | 760251050 |
| | | | FB | | 760251050 |
| | | | FN | CF8M | 760251050 |
| | | | N | | 744125060 |
| | | Diffusore, ultimo stadio / Diffuser, last stage | F | GG25 | 760250190 |
| | | | FB | | 760250190 |
| | | | FN | CF8M | 760250190 |
| | | | N | | 744135060 |
| TDB 78 | 1 | Girante / Impeller Diametro pieno (200 mm) o tornita / full size (200 mm) or reduced | F | GG25 | 760151030 |
| | | | FB | CC480K | 760120680 |
| | | | FN | CF8M | 760181160 |
| | | | N | CF8M | 760181160 |
| | 2 | Diffusore / Diffuser | F | GG25 | 760251080 |
| | | | FB | | 760251080 |
| | | | FN | CF8M | 760251080 |
| | | | N | | 744125080 |
| | | Diffusore, ultimo stadio / Diffuser, last stage | F | GG25 | 760250220 |
| | | | FB | | 760250220 |
| | | | FN | CF8M | 760250220 |
| | | | N | | 744135080 |
| Corpo completo / Complete body | | | | | |
| con viteria / with screws | | | | | |
| All | 3 | Corpo aspirante / Suction body PN10/16 | F | GG25 | 744310060 |
| | | | FB | | 744310060 |
| | | | FN | CF8M | 744310060 |
| | | | N | | 744310100 |
| con boccia (9) / with bushing (9) G-CuSn16 | | | | | |
| All | 4 | Corpo premente / Delivery body PN10/16 | F | GG25 | 744110240 |
| | | | FB | | 744110240 |
| | | | FN | CF8M | 744110240 |
| | | | N | | 744110250 |
| | | Corpo premente / Delivery body PN25/40 | F | GG25 | 744110280 |
| | | | FB | | 744110280 |
| | | | FN | CF8M | 744110280 |
| | | | N | | 744110290 |
| | | Corpo premente / Delivery body PN63 | F | GG40 | 744110330 |
| | | | FB | | 744110330 |
| | | | FN | CF8M | 744110330 |
| | | | N | | 744110320 |
| | 5 | Corpo stadio / Stage body | F | GG25 | 760650230 |
| | | | FB | | 760650230 |
| | | | FN | CF8M | 760650230 |
| | | | N | | 744145070 |
| Boccole e camicie usura / Bearing bushes and Sleeves | | | | | |
| All | 9 | Boccola / Bushing | F | GG25 | 762220130 |
| | | | FB | | 762220130 |
| | | | FN | CF8M | 762220130 |
| | | | N | | 762310080 |
| | 10 | Camicia albero per boccola / Bushing shaft sleeve | F | GG40 | 762370060 |
| | | | FB | | 762370060 |
| | | | FN | CF8M | 762370060 |
| | | | N | | 762310080 |
| All | 13 | Camicia albero per tenuta SA / Seal shaft sleeve SA (Tenuta meccanica non bilanciata - Mechanical seal unbalanced) | F | GG25 | 763470360 |
| | | | FB | | 763470360 |
| | | | FN | CF8M | 763470360 |
| | | | N | | 763411090 |
| | | Camicia albero per tenuta SB / Seal shaft sleeve SB (Tenuta meccanica bilanciata - Mechanical seal balanced) | F | GG25 | 763470350 |
| | | | FB | | 763470350 |
| | | | FN | CF8M | 763470350 |
| | | | N | | 763411080 |

| TDB 58 - TDB 78 | | | | | |
|---|----|---|---------|------|-----------|
| Alberi / Shafts | | | | | |
| Albero con chiavette (17), dadi e rondella Shaft with keys (17), nuts and washer | | | | | |
| All | 11 | Albero N° di stadi 1 / Shaft with stage no. 1 | F FB FN | A420 | 744320210 |
| | | Albero N° di stadi 2 / Shaft with stage no. 2 | | A420 | 744320230 |
| | | Albero N° di stadi 3 / Shaft with stage no. 3 | | A420 | 744320250 |
| | | Albero N° di stadi 4 / Shaft with stage no. 4 | | A420 | 744320270 |
| | | Albero N° di stadi 5 / Shaft with stage no. 5 | | A420 | 744320290 |
| | | Albero N° di stadi 6 / Shaft with stage no. 6 | | A420 | 744320310 |
| | | Albero N° di stadi 7 / Shaft with stage no. 7 | | A420 | 744320330 |
| | | Albero N° di stadi 8 / Shaft with stage no. 8 | | A420 | 744320350 |
| | | Albero N° di stadi 9 / Shaft with stage no. 9 | | A420 | 744320370 |
| | | Albero N° di stadi 10 / Shaft with stage no. 10 | | A420 | 744320390 |
| | | Albero N° di stadi 11 / Shaft with stage no. 11 | | A420 | 744320410 |
| | | Albero N° di stadi 12 / Shaft with stage no. 12 | | A420 | 744320430 |
| | | Albero N° di stadi 13 / Shaft with stage no. 13 | | A420 | 744320450 |
| | | Albero N° di stadi 14 / Shaft with stage no. 14 | | A420 | 744320470 |
| | 11 | Albero N° di stadi 1 / Shaft with stage no. 1 | N | A329 | 744320220 |
| | | Albero N° di stadi 2 / Shaft with stage no. 2 | | A329 | 744320240 |
| | | Albero N° di stadi 3 / Shaft with stage no. 3 | | A329 | 744320260 |
| | | Albero N° di stadi 4 / Shaft with stage no. 4 | | A329 | 744320280 |
| | | Albero N° di stadi 5 / Shaft with stage no. 5 | | A329 | 744320300 |
| | | Albero N° di stadi 6 / Shaft with stage no. 6 | | A329 | 744320320 |
| | | Albero N° di stadi 7 / Shaft with stage no. 7 | | A329 | 744320340 |
| | | Albero N° di stadi 8 / Shaft with stage no. 8 | | A329 | 744320360 |
| | | Albero N° di stadi 9 / Shaft with stage no. 9 | | A329 | 744320380 |
| | | Albero N° di stadi 10 / Shaft with stage no. 10 | | A329 | 744320400 |
| | | Albero N° di stadi 11 / Shaft with stage no. 11 | | A329 | 744320420 |
| | | Albero N° di stadi 12 / Shaft with stage no. 12 | | A329 | 744320440 |
| | | Albero N° di stadi 13 / Shaft with stage no. 13 | | A329 | 744320460 |
| | | Albero N° di stadi 14 / Shaft with stage no. 14 | | A329 | 744320480 |

| TDB 58 - TDB 78 | | | | | | |
|---|------------|--|---|---------------------------|---------------------------|-----------|
| Semigiunti accoppiamento / Kit of half coupling | | | | | | |
| Semigiunti , rondella , anello, viti / Half couplings, washer, ring, screws | | | | | | |
| All | 19M 20H | Accoppiamento IEC100/112 - Set of coupling IEC 100/112 albero 28 mm / shaft 28mm | F | GG25 (M), GGG40 (H) | 744315090 | |
| | | | FB | | 744315090 | |
| | | | FN | | 744315090 | |
| | | | N | | 744315090 | |
| | | | Accoppiamento IEC132 / Set of coupling IEC 132 albero 38 mm / shaft 38mm | F | GG25 (M), GGG40 (H) | 744315100 |
| | | | FB | 744315100 | | |
| | | | FN | 744315100 | | |
| | | | N | 744315100 | | |
| | | Accoppiamento IEC 160 / Set of coupling IEC 160 albero 42 mm / shaft 42mm | F | GG25 (M), GGG40 (H) | 744315110 | |
| | | FB | 744315110 | | | |
| | | FN | 744315110 | | | |
| | | N | 744315110 | | | |
| | | Accoppiamento IEC 180 / Set of coupling IEC 180 albero 48 mm / shaft 48mm | F | GG25 (M), GGG40 (H) | 744315120 | |
| | | FB | 744315120 | | | |
| | | FN | 744315120 | | | |
| | | N | 744315120 | | | |
| | | Accoppiamento IEC200/225 / Set of coupling IEC 200/225 albero 55 mm / shaft 55mm | F | GG25 (M), GGG40 (H) | 744315130 | |
| | | FB | 744315130 | | | |
| | | FN | 744315130 | | | |
| | | N | 744315130 | | | |
| | | Accoppiamento IEC 225/250 / Set of coupling IEC 225/250 albero 60 mm / shaft 60mm | F | GG25 (M), GGG40 (H) | 744315150 | |
| | | FB | 744315150 | | | |
| | | FN | 744315150 | | | |
| | | N | 744315150 | | | |
| | | Accoppiamento IEC 250/280 / Set of coupling IEC 250/280 albero 65 mm / shaft 65mm | F | GG25 (M), GGG40 (H) | 744315140 | |
| | | FB | 744315140 | | | |
| | | FN | 744315140 | | | |
| | | N | 744315140 | | | |
| O-Ring set / Kit OR | | | | | | |
| All | 16 | Set N° di stadi 1 / Kit for stage no. 1 | F FB FN N | EPDM | 714004310 | |
| | | Set N° di stadi 2 / Kit for stage no. 2 | | | 714004370 | |
| | | Set N° di stadi 3 / Kit for stage no. 3 | | | 714004380 | |
| | | Set N° di stadi 4 / Kit for stage no. 4 | | | 714004390 | |
| | | Set N° di stadi 5 / Kit for stage no. 5 | | | 714004400 | |
| | | Set N° di stadi 6 / Kit for stage no. 6 | | | 714004410 | |
| | | Set N° di stadi 7 / Kit for stage no. 7 | | | 714004420 | |
| | | Set N° di stadi 8 / Kit for stage no. 8 | | | 714004430 | |
| | | Set N° di stadi 9 / Kit for stage no. 9 | | | 714004440 | |
| | | Set N° di stadi 10 / Kit for stage no. 10 | | | 714004320 | |
| | | Set N° di stadi 11 / Kit for stage no. 11 | | | 714004330 | |
| | | Set N° di stadi 12 / Kit for stage no. 12 | | | 714004340 | |
| | | Set N° di stadi 13 / Kit for stage no. 13 | | | 714004350 | |
| | | Set N° di stadi 14 / Kit for stage no. 14 | | | 714004360 | |
| Tenuta meccanica / Mechanical seal | | | | | | |
| Tenuta meccanica sec. EN12756 / all mechanical seal acc. EN12756 | | | | | | |
| All | 15 | D43, non bilanciata / unbalanced Con soffierto / Bellow type - SA | F / FB/ FN/ N | Q1BEGG | 772240108 | |
| | | D43, bilanciata / balanced Con OR/OR type - SB | F / FB/ FN/ N | Q1BEGG | 772240531 | |
| All | | Coperchio tenuta / Seal cover | F / FB/ FN N | GG25 CF8M | 744150040 744150050 | |

Production date > 04/2006

| TDB 120 - 170 , TDV 120 - 170 | | | | | |
|--|---------|---|-------------------|--------------------|----------------------|
| Tipo Design | No. Nr. | Descrizione / Item Name | Esecuzione Design | Materiale Material | Article No. Art. Nr. |
| Girante e diffusori / Impeller and diffusers | | | | | |
| TDB, TDV 120 | 1 | Girante / Impeller Diametro pieno (240 mm) o tornito / full size (240 mm) or reduced | F | GG25 | 760151050 |
| | | | FB | CC480K | 760120690 |
| | | | FN | CF8M | 760181090 |
| | | | N | CF8M | 760181090 |
| | 2 | Diffusore / Diffuser | F | GG25 | 760250250 |
| | | | FB | | 760250250 |
| | | | FN | | 760250250 |
| | | | N | CF8M | 744125090 |
| | | Diffusore, ultimo stadio / Diffuser, last stage | F | GG25 | 760250040 |
| | | | FB | | 760250040 |
| | | | FN | | 760250040 |
| | | | N | CF8M | 744135090 |
| TDB, TDV 170 | 1 | Girante / Impeller Diametro pieno (240 mm) o tornito / full size (240 mm) or reduced | F | GG25 | 760151100 |
| | | | FB | CC480K | 760120660 |
| | | | FN | CF8M | 760181100 |
| | | | N | CF8M | 760181100 |
| | 2 | Diffusore / Diffuser | F | GG25 | 760251060 |
| | | | FB | | 760251060 |
| | | | FN | | 760251060 |
| | | | N | CF8M | 744125110 |
| | | Diffusore, ultimo stadio / Diffuser, last stage | F | GG25 | 760250060 |
| | | | FB | | 760250060 |
| | | | FN | | 760250060 |
| | | | N | CF8M | 744135120 |
| Corpo completo / Complete body | | | | | |
| con viteria / with screws | | | | | |
| TDB, TDV | 3 | Corpo aspirante / Suction body PN10/16 | F | GG25 | 744310010 |
| | | | FB | | 744310010 |
| | | | FN | | 744310010 |
| | | | N | CF8M | 744310040 |
| con boccola (9) / with bushing (9) G-CuSn16 | | | | | |
| TDB, TDV | 4 | Corpo premente / Delivery body PN10/16 | F | GG25 | 744310010 |
| | | | FB | | 744310010 |
| | | | FN | | 744310010 |
| | | | N | CF8M | 744110020 |
| | | Corpo premente / Delivery body PN25/40 | F | GG25 | 744110050 |
| | | | FB | | 744110050 |
| | | | FN | | 744110050 |
| | | | N | CF8M | 744110060 |
| | | Corpo premente / Delivery body PN63 | F | GG40 | 744110100 |
| | | | FB | | 744110100 |
| | | | FN | | 744110100 |
| | | | N | CF8M | 744110090 |
| | 5 | Corpo stadio / Stage body | F | GG25 | 744145140 |
| | | | FB | | 744145140 |
| | | | FN | | 744145140 |
| | | | N | CF8M | 744145010 |
| Boccole e camicie usura / Bushing and Sleeves | | | | | |
| TDB, TDV | 9 | Boccola / Bushing | F | G-CuSn16 | 762220140 |
| | | | FB | | 762220140 |
| | | | FN | | 762220140 |
| | | | N | | 762220140 |
| | 10 | Camicia albero per boccola / Bushing shaft sleeve | F | A420 | 762370070 |
| | | | FB | | 762370070 |
| | | | FN | | 762370070 |
| | | | N | A329 | 762310090 |
| TDB, TDV | 13 | Camicia albero per tenuta SA / Seal shaft sleeve SA (Tenuta meccanica non bilanciata - Mechanical seal unbalanced) | F | A420 | 763470250 |
| | | | FB | | 763470250 |
| | | | FN | | 763470250 |
| | | | N | A329 | 763410930 |
| TDB, TDV | | Camicia albero per tenuta SB / Seal shaft sleeve SB (Tenuta meccanica bilanciata - Mechanical seal balanced) | F | A420 | 763470230 |
| | | | FB | | 763470230 |
| | | | FN | | 763470230 |
| | | | N | A329 | 763410910 |
| TDV | | Spaziatore giunto elastico / Flexible coupling spacer | F | GG25 | 763850040 |
| | | | FB | | 763850040 |
| | | | FN | | 763850040 |
| | | | N | | 763850040 |

TDB-TDV_5_Apr06_EdC

| TDB 120 - 170 , TDV 120 - 170 | | | | | | | |
|--|---------|--|---------------|---|-----------|------|-----------|
| Alberi / Shafts | | | | | | | |
| TDB | 11 | Albero con chiavette (17), dadi e rondella Shaft with keys (17), nuts and washer | | | | | |
| | | Albero N° di stadi 1 / Shaft with stage no. 1 | F FB FN | A420 | 744320010 | | |
| | | Albero N° di stadi 2 / Shaft with stage no. 2 | | A420 | 744320030 | | |
| | | Albero N° di stadi 3 / Shaft with stage no. 3 | | A420 | 744320050 | | |
| | | Albero N° di stadi 4 / Shaft with stage no. 4 | | A420 | 744320070 | | |
| | | Albero N° di stadi 5 / Shaft with stage no. 5 | | A420 | 744320090 | | |
| | | Albero N° di stadi 6 / Shaft with stage no. 6 | | A420 | 744320110 | | |
| | | Albero N° di stadi 7 / Shaft with stage no. 7 | | A420 | 744320130 | | |
| | | Albero N° di stadi 8 / Shaft with stage no. 8 | | A420 | 744320150 | | |
| | | Albero N° di stadi 9 / Shaft with stage no. 9 | | A420 | 744320170 | | |
| | | Albero N° di stadi 10 / Shaft with stage no. 10 | | A420 | 744320190 | | |
| | | Albero N° di stadi 1 / Shaft with stage no. 1 | N | A329 | 744320020 | | |
| | | Albero N° di stadi 2 / Shaft with stage no. 2 | | A329 | 744320040 | | |
| | | Albero N° di stadi 3 / Shaft with stage no. 3 | | A329 | 744320060 | | |
| | | Albero N° di stadi 4 / Shaft with stage no. 4 | | A329 | 744320080 | | |
| | | Albero N° di stadi 5 / Shaft with stage no. 5 | | A329 | 744320100 | | |
| | | Albero N° di stadi 6 / Shaft with stage no. 6 | | A329 | 744320120 | | |
| | | Albero N° di stadi 7 / Shaft with stage no. 7 | | A329 | 744320140 | | |
| | | Albero N° di stadi 8 / Shaft with stage no. 8 | | A329 | 744320160 | | |
| | | Albero N° di stadi 9 / Shaft with stage no. 9 | | A329 | 744320180 | | |
| | | Albero N° di stadi 10 / Shaft with stage no. 10 | | A329 | 744320200 | | |
| | | TDV | 11 | Albero con chiavette (17), dadi e rondella Shaft with keys (17), nuts and washer | | | |
| | | | | Albero N° di stadi 1 / Shaft with stage no. 1 | F FB FN | A420 | 744425010 |
| | | | | Albero N° di stadi 2 / Shaft with stage no. 2 | | A420 | 744425030 |
| | | | | Albero N° di stadi 3 / Shaft with stage no. 3 | | A420 | 744425050 |
| | | | | Albero N° di stadi 4 / Shaft with stage no. 4 | | A420 | 744425070 |
| | | | | Albero N° di stadi 5 / Shaft with stage no. 5 | | A420 | 744425090 |
| | | | | Albero N° di stadi 6 / Shaft with stage no. 6 | | A420 | 744425110 |
| Albero N° di stadi 1 / Shaft with stage no. 1 | N | | | A329 | 744425020 | | |
| Albero N° di stadi 2 / Shaft with stage no. 2 | | | | A329 | 744425040 | | |
| Albero N° di stadi 3 / Shaft with stage no. 3 | | | | A329 | 744425060 | | |
| Albero N° di stadi 4 / Shaft with stage no. 4 | | | | A329 | 744425080 | | |
| Albero N° di stadi 5 / Shaft with stage no. 5 | | | | A329 | 744425100 | | |
| Albero N° di stadi 6 / Shaft with stage no. 6 | | | | A329 | 744425120 | | |
| Supporto cuscinetto / Bearing bracket | | | | | | | |
| TDV | 7 | Coperchio cuscinetto / Bearing cover | F / FB/ FN/ N | GG25 | 744420010 | | |
| Semigiunti accoppiamento / Kit of half coupling | | | | | | | |
| Semigiunti , rondella , anello, viti / Half couplings, washer, ring, screws | | | | | | | |
| TDB | 19M 20H | Accoppiamento IEC 160 / Set of coupling IEC 160 albero 42 mm / shaft 42mm | F | GG25 (M), GGG40 (H) | 744315160 | | |
| | | | FB | | 744315160 | | |
| | | | FN | | 744315160 | | |
| | | | N | | 744315160 | | |
| | | Accoppiamento IEC 180 / Set of coupling IEC 180 albero 48 mm / shaft 48mm | F | GG25 (M), GGG40 (H) | 744315170 | | |
| | | | FB | | 744315170 | | |
| | | | FN | | 744315170 | | |
| | | | N | | 744315170 | | |
| | | Accoppiamento IEC200/225 / Set of coupling IEC 200/225 albero 55 mm / shaft 55mm | F | GG25 (M), GGG40 (H) | 744315180 | | |
| | | | FB | | 744315180 | | |
| | | | FN | | 744315180 | | |
| | | | N | | 744315180 | | |
| | | Accoppiamento IEC 225/250 / Set of coupling IEC 225/250 albero 60 mm / shaft 60mm | F | GG25 (M), GGG40 (H) | 744315190 | | |
| | | | FB | | 744315190 | | |
| | | | FN | | 744315190 | | |
| | | | N | | 744315190 | | |
| | | Accoppiamento IEC 250/280 / Set of coupling IEC 250/280 albero 65 mm / shaft 65mm | F | GG25 (M), GGG40 (H) | 744315200 | | |
| | | | FB | | 744315200 | | |
| | | | FN | | 744315200 | | |
| | | | N | | 744315200 | | |

| TDB 120 - 170 , TDV 120 - 170 | | | | | | |
|--|----|---|---------------|--|--------|-----------|
| Set cuscinetti / Set of bearing | | | | | | |
| TDV | | Set cuscinetti / Set of bearing Cuscinetto a sfera radiale / radial ball bearing | F | | | 714020030 |
| | | | FB | | | 714020030 |
| | | | FN | | | 714020030 |
| | | | N | | | 714020030 |
| O-Ring set / Kit OR | | | | | | |
| O-Ring | | | | | | |
| TDB | 16 | Set N° di stadi 1 / Kit for stage no. 1 | F FB FN N | | EPDM | 714004010 |
| | | Set N° di stadi 2 / Kit for stage no. 2 | | | | 714004030 |
| | | Set N° di stadi 3 / Kit for stage no. 3 | | | | 714004040 |
| | | Set N° di stadi 4 / Kit for stage no. 4 | | | | 714004050 |
| | | Set N° di stadi 5 / Kit for stage no. 5 | | | | 714004060 |
| | | Set N° di stadi 6 / Kit for stage no. 6 | | | | 714004070 |
| | | Set N° di stadi 7 / Kit for stage no. 7 | | | | 714004080 |
| | | Set N° di stadi 8 / Kit for stage no. 8 | | | | 714004090 |
| | | Set N° di stadi 9 / Kit for stage no. 9 | | | | 714004100 |
| | | Set N° di stadi 10 / Kit for stage no. 10 | | | | 714004020 |
| OR e Mim / O-Ring and lip seal | | | | | | |
| TDV | 16 | Set N° di stadi 1 / Kit for stage no. 1 | F FB FN N | | EPDM | 714006010 |
| | | Set N° di stadi 2 / Kit for stage no. 2 | | | | 714006030 |
| | | Set N° di stadi 3 / Kit for stage no. 3 | | | | 714006040 |
| | | Set N° di stadi 4 / Kit for stage no. 4 | | | | 714006050 |
| | | Set N° di stadi 5 / Kit for stage no. 5 | | | | 714006060 |
| | | Set N° di stadi 6 / Kit for stage no. 6 | | | | 714006070 |
| Tenuta meccanica / Mechanical seal | | | | | | |
| Tenuta meccanica sec. EN12756 / all mechanical seal acc. EN12756 | | | | | | |
| All | 15 | D53, non bilanciata / unbalanced Con soffierto / Bellow type - SA | F / FB/ FN/ N | | BQ1EGG | 772240111 |
| | | D53, bilanciata / balanced Con OR /OR type - SB | F / FB/ FN/ N | | BQ1EGG | 772240545 |
| | | D53, bilanciata / balanced Con OR /OR type - SB | F / FB/ FN/ N | | AQ1EGG | 772240546 |
| All | | Coperchio tenuta / Seal cover | F / FB/ FN | | GG25 | 744150070 |
| | | | N | | CF8M | 744150080 |

Per il tipo di tenuta SA o SB : fare riferimento al catalogo tecnico o contattare Lowara AED
About mech. seal SA or SB : pls refer to technical catalogue otherwise pls contact Lowara AED

Production date > 04/2006

| TDV 220 - 280 | | | | | | |
|--|---------------------------------------|---|--|--------------------|----------------------|-----------|
| Tipo Design Bauart | No. Nr. | Descrizione / Item Name | Esecuzione Design | Materiale Material | Article No. Art. Nr. | |
| Girante e diffusori / Impeller and diffusers | | | | | | |
| TDV 220 | 1 | Girante / Impeller Diametro pieno (275 mm) o tornito / full size (275 mm) or reduced | F | GG25 | 760151110 | |
| | | | FB | CC480K | 760120700 | |
| | | | FN | CF8M | 760181110 | |
| | | | N | CF8M | 760181110 | |
| | 2 | Diffusore / Diffuser | F | GG25 | 760250290 | |
| | | | FB | | 760250290 | |
| | | | FN | CF8M | 760250290 | |
| | | | N | | 744125070 | |
| | | Diffusore, ultimo stadio / Diffuser, last stage | F | GG25 | 760250080 | |
| | | | FB | | 760250080 | |
| | | | FN | CF8M | 760250080 | |
| | | | N | | 744135070 | |
| TDV 280 | 1 | Girante / Impeller Diametro pieno (275 mm) o tornito / full size (275 mm) or reduced | F | GG25 | 760151060 | |
| | | | FB | CC480K | 760120710 | |
| | | | FN | CF8M | 760181120 | |
| | | | N | CF8M | 760181120 | |
| | 2 | Diffusore / Diffuser | F | GG25 | 760250320 | |
| | | | FB | | 760250320 | |
| | | | FN | CF8M | 760250320 | |
| | | | N | | 744125050 | |
| | | Diffusore, ultimo stadio / Diffuser, last stage | F | GG25 | 760250100 | |
| | | | FB | | 760250100 | |
| | | | FN | CF8M | 760250100 | |
| | | | N | | 744135050 | |
| | Corpo completo / Complete body | | | | | |
| | con viteria / with screws | | | | | |
| | All | 3 | Corpo aspirante / Suction body PN10/16 | F | GG25 | 744410010 |
| | | | | FB | | 744410010 |
| FN | | | | CF8M | 744410010 | |
| N | | | | | 744410040 | |
| con boccola (9) / with bushing (9) G-CuSn16 | | | | | | |
| All | 4 | Corpo premente / Delivery body PN10/16 | F | GG25 | 744110120 | |
| | | | FB | | 744110120 | |
| | | | FN | CF8M | 744110120 | |
| | | | N | | 744110130 | |
| | | Corpo premente / Delivery body PN25/40 | F | GG25 | 744110160 | |
| | | | FB | | 744110160 | |
| | | | FN | CF8M | 744110160 | |
| | | | N | | 744110170 | |
| | Corpo premente / Delivery body PN63 | F | GG40 | 744110210 | | |
| | | FB | | 744110210 | | |
| | | FN | CF8M | 744110210 | | |
| | | N | | 744110200 | | |
| | 5 | Corpo stadio / Stage body | F | GG25 | 744145150 | |
| | | | FB | | 744145150 | |
| | | | FN | CF8M | 744145150 | |
| | | | N | | 744145030 | |
| Boccole e camicie usura / Bushing and Sleeves | | | | | | |
| All | 9 | Boccola / Bushing | F | G-CuSn16 | 762220150 | |
| | | | FB | | 762220150 | |
| | | | FN | | 762220150 | |
| | | | N | | 762220150 | |
| | 10 | Camicia albero per boccola / Bushing shaft sleeve | F | A420 | 762370080 | |
| | | | FB | | 762370080 | |
| | | | FN | A329 | 762370080 | |
| | | | N | | 762310100 | |
| All | 13 | Camicia albero per tenuta SA / Seal shaft sleeve SA (Tenuta meccanica non bilanciata - Mechanical seal unbalanced) | F | A420 | 763470260 | |
| | | | FB | | 763470260 | |
| | | | FN | A329 | 763470260 | |
| | | | N | | 763410940 | |
| | | Camicia albero per tenuta SB / Seal shaft sleeve SB (Tenuta meccanica bilanciata - Mechanical seal balanced) | F | A420 | 763470240 | |
| | | | FB | | 763470240 | |
| | | | FN | A329 | 763470240 | |
| | | | N | | 763410920 | |
| All | | Spaziatore giunto elastico / Flexible coupling spacer | F | GG25 | 763850050 | |
| | | | FB | | 763850050 | |
| | | | FN | | 763850050 | |
| | | | N | | 763850050 | |

TDB-TDV_5_Apr06_EdC

| TDV 220 - 280 | | | | | | | |
|---|---|---|---|---------------|-----------|-----------|--|
| Alberi / Shafts | | | | | | | |
| All | Albero con chiavette (17), dadi e rondella Shaft with keys (17), nuts and washer | | | | | | |
| | 11 | Albero N° di stadi 1 / Shaft with stage no. 1 | F FB FN | A420 | 744425130 | | |
| | | Albero N° di stadi 2 / Shaft with stage no. 2 | | A420 | 744425270 | | |
| | | Albero N° di stadi 3 / Shaft with stage no. 3 | | A420 | 744425150 | | |
| | | Albero N° di stadi 4 / Shaft with stage no. 4 | | A420 | 744425170 | | |
| | | Albero N° di stadi 5 / Shaft with stage no. 5 | | A420 | 744425190 | | |
| | | Albero N° di stadi 6 / Shaft with stage no. 6 | | A420 | 744425210 | | |
| | | Albero N° di stadi 7 / Shaft with stage no. 7 | | A420 | 744425230 | | |
| | | Albero N° di stadi 8 / Shaft with stage no. 8 | | A420 | 744425250 | | |
| | | Albero N° di stadi 1 / Shaft with stage no. 1 | N | A329 | 744425140 | | |
| | | Albero N° di stadi 2 / Shaft with stage no. 2 | | A329 | 744425280 | | |
| | | Albero N° di stadi 3 / Shaft with stage no. 3 | | A329 | 744425160 | | |
| | | Albero N° di stadi 4 / Shaft with stage no. 4 | | A329 | 744425180 | | |
| | | Albero N° di stadi 5 / Shaft with stage no. 5 | | A329 | 744425200 | | |
| | | Albero N° di stadi 6 / Shaft with stage no. 6 | | A329 | 744425220 | | |
| | | Albero N° di stadi 7 / Shaft with stage no. 7 | | A329 | 744425240 | | |
| | | Albero N° di stadi 8 / Shaft with stage no. 8 | | A329 | 744425260 | | |
| | Supporto cuscinetto / Bearing bracket | | | | | | |
| | All | 7 | Coperchio cuscinetto / Bearing cover | F / FB/ FN/ N | GG25 | 744420020 | |
| | Set cuscinetti / Set of bearing | | | | | | |
| | TDV | | Set cuscinetti / Set of bearing Cuscinetto a sfera radiale / radial ball bearing | F | - | 714020070 | |
| | | | | FB | | 714020070 | |
| | | | | FN | | 714020070 | |
| N | | | | 714020070 | | | |
| O-Ring set / Kit OR | | | | | | | |
| All | OR e Mim / O-Ring and lip seal | | | | | | |
| | 16 | Set N° di stadi 1 / Kit for stage no. 1 | F FB FN N | EPDM | 714006110 | | |
| | | Set N° di stadi 2 / Kit for stage no. 2 | | | 714006120 | | |
| | | Set N° di stadi 3 / Kit for stage no. 3 | | | 714006130 | | |
| | | Set N° di stadi 4 / Kit for stage no. 4 | | | 714006140 | | |
| | | Set N° di stadi 5 / Kit for stage no. 5 | | | 714006150 | | |
| | | Set N° di stadi 6 / Kit for stage no. 6 | | | 714006160 | | |
| | | Set N° di stadi 6 / Kit for stage no. 7 | | | 714006170 | | |
| | | Set N° di stadi 6 / Kit for stage no. 8 | | | 714006180 | | |
| Tenuta meccanica / Mechanical seal | | | | | | | |
| Tenuta meccanica sec. EN12756 / all mechanical seal acc. EN12756 | | | | | | | |
| All | 15 | D60, non bilanciata / unbalanced Con soffiutto / Bellow type - SA | F / FB/ FN/ N | BQ1EGG | 772240113 | | |
| | | D60, bilanciata / balanced Con OR /OR type - SB | F / FB/ FN/ N | AQ1EGG | 772240556 | | |
| All | | Coperchio tenuta / Seal cover | F / FB/ FN | GG25 | 744150090 | | |
| | | | N | CF8M | 744150100 | | |

Per il tipo di tenuta SA o SB : fare riferimento al catalogo tecnico o contattare Lowara AED
About mech. seal SA or SB : pls refer to technical catalogue otherwise pls contact Lowara AED

xylem