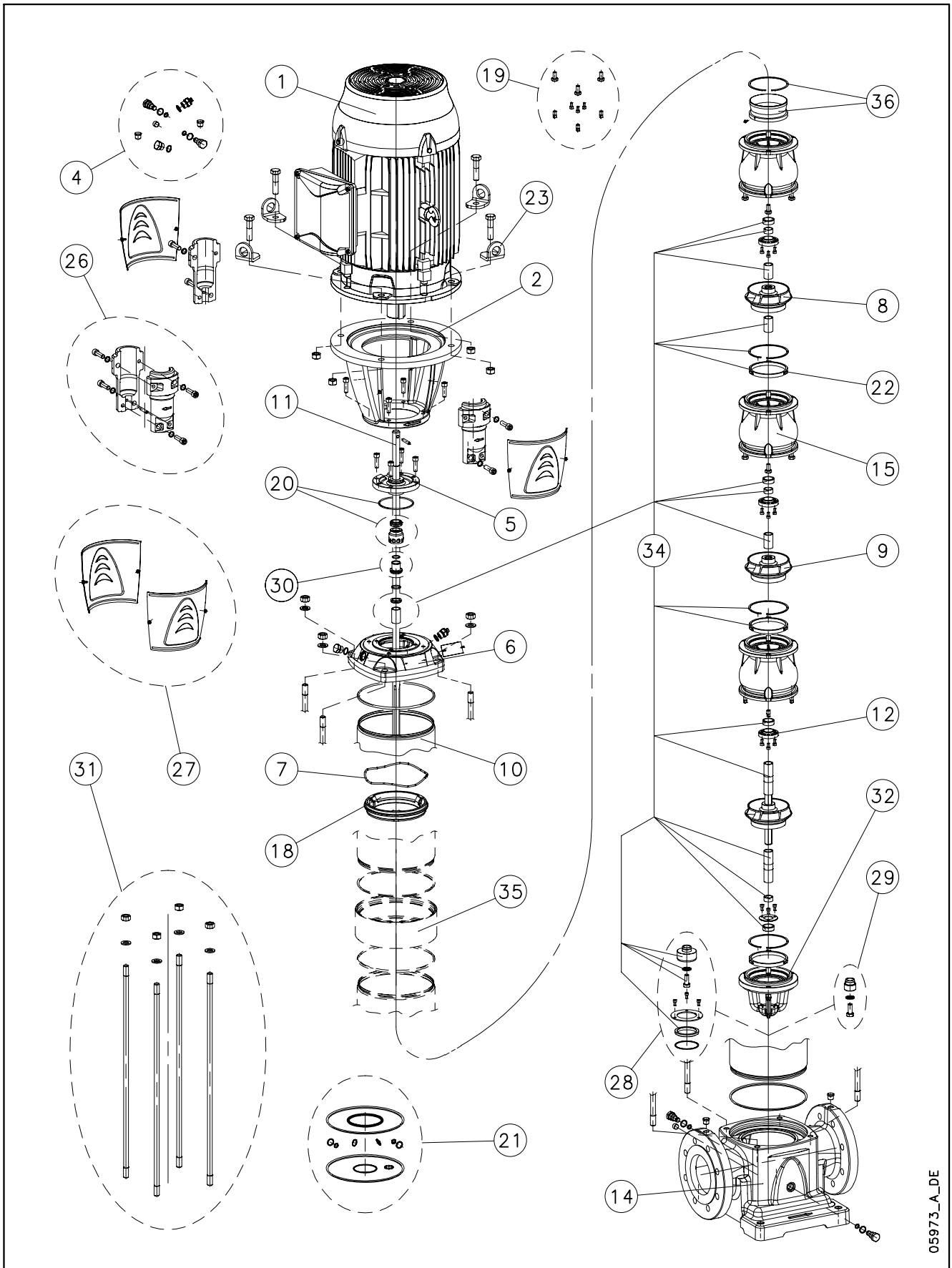


125 SV..H (150°C)



05973_A_DE

Lowara, Vogel Pumpen are trademarks of Xylem Inc. or one of its subsidiaries. Goulds is a registered trademark of Goulds Pumps, Inc. and is used under license.

| N. | Descrizione It | Description en | Description fr | Beschreibung de | Descripción es | Descrição pt |
|----|--------------------------------|--|--------------------------------------|---|----------------------------------|-------------------------------------|
| | 125SV..H (150 °C) | | | | | |
| 1 | Motore | Motor | Moteur | Motor | Motor | Motor |
| 2 | Lanterna | Adaptor | Lanterne | Motorlaterne | Adaptador | Adaptador |
| 4 | Tappi | Plugs | Bouchons | Stopfen | Tapones | Tampões |
| 5 | Disco porta tenuta | Seal housing plate | Disque de support garniture | Dichtungsdeckel | Disco de alojamiento sello | Disco porta-vedante |
| 6 | Testata superiore | Upper head | Tête supérieure | Oberer kopf | Cabezal superior | Cabeça superior |
| 7 | Molla | Spring | Ressort | Feder | Muelle | Moia |
| 8 | Girante ridotta | Reduced impeller | Roue réduite | Lauftrad, reduzierter Durchmesser | Rodete, reducido | Impulsor reduzido |
| 9 | Girante piena | Full impeller | Roue pleine | Lauftrad, voller Durchmesser | Rodete, completo | Impulsor completo |
| 10 | Camicia | Sleeve | Chemise | Gehäuse | Camisa | Camisa |
| 11 | Albero | Shaft | Arbre | Welle | Árbol | Veio |
| 12 | Coperchio bloccaggio boccola | Bush locking cover | Couvercle blocage douille | Büchse Halt Abdeckung | Tapa bloqueo casquillo | Tampa bloqueio bucha |
| 14 | Corpo pompa | Pump body | Corps de pompe | Pumpengehäuse | Caja bomba | Corpo da bomba |
| 15 | Diffusore | Diffuser | Diffuseur | Diffusor | Difusor | Difusor |
| 18 | Anello adattatore | Adapter ring | Anneau adaptateur | AnpassungRing | Anillo adaptador | Anel adaptador |
| 19 | Kit Viterie | Screws kit | Kit Visserie | Bausatz Schrauben | Kit tornillos | Kit parafusos |
| 20 | Kit tenuta mecc. + OR | Mechanical seal + OR kit | Kit garniture méc. + joints toriques | Gleitringdichtung + O-Ring [Satz] | Kit sello mec. + junta tórica | Kit vedante mec. + OR |
| 21 | Kit guarnizioni OR | O ring kit | Kit joints toriques | Dichtungssatz | Kit juntas tóricas | Kit guarnições OR |
| 22 | Kit anelli rasamento | Kit wear rings | Kit anneaux d'usure | Verschleißringe [Satz] | Kit anillos de desgaste | Kit anéis compensadores de desgaste |
| 23 | Anello sollevamento | Lifting ring | Anneau de levage | Huböse | Anillo de elevación | Anel de suspensão |
| 26 | Kit coppia di semigiunti | Pair of half coupling kit | Kit paire de demi-manchons | Kupplung [Satz] | Kit par de semijuntas | Kit par de semi-juntas |
| 27 | Kit protezione giunto | Coupling guard kit | Kit protection manchon | Kupplungsschutz [Satz] | Kit protección junta | Kit protecção junta |
| 28 | Kit tamburo reggispinta | Thrust drum kit | Kit tambour butée | Drucklagerscheibe [Satz] | Kit tambor de empuje | Kit tambor de impulso |
| 29 | Kit bloccaggio giranti | Impeller locking kit | Kit blocage roues | Lauftrad Halt [Satz] | Kit bloqueo rodetes | Kit bloqueio impulsores |
| 30 | Kit bussola tenuta | Bush seal kit | Kit douille garniture | Gleitringdichtungsarretierung und mitnehmer | Kit casquillo sello | kit bucha vedante |
| 31 | Kit tiranti | Tie rods kit | Kit tirants | Zugstangen [Satz] | Kit tirantes | Kit tirantes |
| 32 | Supporto inferiore | Bearing spider | Support inférieur | Untere Lagerung | Soporte inferior | Suporte inferior |
| 34 | Kit parti di usura | Wear parts kit | Kit parties d'usure | Verschleißteile [Satz] | Kit piezas de desgaste | Kit peças desgastáveis |
| 35 | Anello per camicia | Ring for sleeve | Bague pour bouchon | Ring für Gehäuse | Anillo para camisa | Anel para camisa |
| 36 | Kit manicotto per HT | Kit pipe coupling for HT | Kit tube de raccordement pour HT | Rohrkupplung für HT [Satz] | Kit tubo de acoplamiento para HT | Kit tubo de acoplamento para HT |
| N. | Alta Temperatura | High Temperature | Haute Température | Hochtemperatur | Altas Temperaturas | Temperatura Elevada |
| HT | Beschrijving nl | Περιγραφή el | Açıklama tr | Kuvaus fi | Описание ru | Opis pl |
| | 125SV..H (150 °C) | | | | | |
| 1 | Motor | Πλήρης κινητήρας | Motor | Moottori | Двигатель | Silnik |
| 2 | Lantaarnstuk | Μπρακέτο | Adaptor | Sovitin | Крестовина | Piasta |
| 4 | Pluggen | Σετ ταπών | Tapalar | Tulpat | Пробки | Zatyczki |
| 5 | Dichtingssteunplaat | Δίσκος μηχανικού στυπιοθλιπτή | Sızdırmazlık elemanı disk | Tiivisteen kannatuslevy | Пластина держателя прокладки | Tarcza uszczelki |
| 6 | Bovenste kop | Κεφαλή αντλίας | Üst kafa | Yläkansi | Верхняя головка | Głowica górna |
| 7 | Veer | Έλασμα | Yay | Jousi | Пружина | Sprężyna |
| 8 | Waaier met verkleinde diameter | Πτερύγιο μειωμένης διαμέτρου | Küçük boylu pompa rotoru | Pieni juoksupyörä | Уменьшенное рабочее колесо | Wirnik niepełny |
| 9 | Volle waaier | Πτερύγιο πλήρους διαμέτρου | Tam boylu pompa rotoru | Täydellinen juoksupyörä | Полное рабочее колесо | Wirnik pełny |
| 10 | Mantel | Κέλυφος | Gömlek | Muhvi | Муфта | Plaszcz |
| 11 | As | Άξονας | Mil | Akseli | Вал | Wał |
| 12 | Borgdeksel bus | Καπάκι ασφάλισης αντιτριβικού δακτυλίου | Yatak kilitleme kapağı | Holkin kiinnityksansi | Крышка блокировки втулки | Pokrywa blokująca tuleję |
| 14 | Pomphuis | Σώμα αντλίας | Pompa gövdesi | Pumpun runko | Корпус насоса | Korpus pompy |
| 15 | Diffusor | Πτερύγιο εκτροπής | Diffüzör | Diffusori | Диффузор | Dyfuzor |
| 18 | Adaptring | Δακτύλιος προσαρμογής | Adaptör halkası | Sovitusrengas | Переходное кольцо | Pierścień pośredni |
| 19 | Kit met schroeven | Σετ βιδών | Vida kiti | Ruuvisarja | КОМПЛЕКТ винтов | Zestaw wkrętów |
| 20 | Set mech. asafichting + O-ring | Μηχανικός στυπιοθλιπτής και ροδέλες στεγανοποίησης | Mekanik salmastra kiti + O-Ring | Mek. tiiviste + O-rengassarja | Комплект мех.прокладки + OR | Zestaw uszcz. mech. + OR |
| 21 | Set O-ringafdichtingen | Σετ ροδέλες στεγανοποίησης | O-Ring kiti | O-rengassarja | Комплект кольцевых прокладок OR | Zestaw uszczelki OR |
| 22 | Set Slijtringen | Σετ δακτύλιοι τριβής | Aşınma halkaları kiti | Kulumisrenkaiden sarja | изнашиваемые кольца тяг | Zestaw pierścieni wymiennych |
| 23 | Hijs ring | Άρη δαχτυλίδι | Cihaz kaldırma | Nostorengas | Подъемные кольца | Pierścień podnoszenia |
| 26 | Set koppelingshelften | Σετ σταθερού συνδέσμου | Çift yarım manşon kiti | Liitinsarja | Комплект пары полумуфт | Zestaw pary półzłączy |
| 27 | Set koppelingsbescherming | Καλύμματα προστασίας σταθερού συνδέσμου | Manşon koruma kiti | Liitoksen suojuussarja | Комплект защиты муфт | Zestaw ochronny złącza |
| 28 | Set druklagertrommel | Σετ ωστικού εμβόλου | Basiş yatağı tambur kiti | Rumpusarja | Комплект упорного барабана | Zestaw bębna łożyska oporowego |
| 29 | Set waaierblokkeringen | Σετ ασφάλισης πτερυγίων | Pompa rotorlarını sabitleme kiti | Juoksupyörien kiinnityssarja | Комплект блокировки раб. колес | Zestaw blokujący wirniki |
| 30 | Set afdichtingsbus | Σετ κουζινέτου μηχανικού στυπιοθλιπτή | Sızdırmazlık elemanı burcu kiti | Holkki- ja tiivistesarja | Комплект втулки уплотнения | Zestaw busoli uszczel. |
| 31 | Set trekstangen | Σετ ράβδων σύνδεσης | Gergi çubuğu kiti | Vetotankosarja | Комплект тяг | Zestaw napinaczy |
| 32 | Onderste steun | Κάτω φορέας | Alt segman braket | Alakannatin | Нижняя опора | Dolny wspornik |
| 34 | Set slijtonderdelen | Σετ δακτύλιων τριβής | Aşınma parçaları kiti | Kulumisosen sarja | Комплект изнашиваемых частей | Zestaw części podł. zużyciu |
| 35 | Ring voor mantel | Δακτύλιος για χιτώνιο | Gömlek halkası | Muhviengas | Кольцо для муфты | Pierścień do plaszca |
| 36 | Set Kit buis voor HT | Κιτ σωλήνα σύνδεσης για την HT | Boru Kaplin HT Kiti | Kit putki Kytkimen HT | Комплект труб связи для HT | Zestaw sprężgło do rur HT |
| HT | Hoge Temperaturen | Υψηλής θερμοκρασίας | Yüksek isi | Korkea lämpötila | Высокая температура | Wysokiej Temperatury |

125SVGH 2 Pole (125SVGH/D: motors IE3 fitted)

| ELP 2 P | | 125SV1GH075 | 125SV2GH150 | 125SV3GH220 | 125SV4GH300 | 125SV5GH370 | 125SV6GH450 | 125SV7GH550 | 125SV8/2AGH55 |
|------------------|--|-------------|-------------|-------------|-------------|-------------|-------------|-------------|---------------|
| G - Version | | 10157800H | 10157801H | 10157802H | 10157803H | 10157804H | 10157805H | 10157806H | 10157807H |
| T(IE2) ~> | | 10168800H | 10168801H | 10168802H | 10168803H | 10168804H | 10168805H | 10168806H | 10168807H |
| T(IE3) ~> | | | | | | | | | |
| Motor power kW > | | 7.5 | 15.0 | 22.0 | 30.0 | 37.0 | 45.0 | 55.0 | 55.0 |

Single Unit and Kit

| | | | | | | | | | |
|----|------------------|-----------|-----------|-----------|-----------|-----------|-----------|-----------|-----------|
| 10 | Sleeve A304 PN25 | 166442750 | 166442760 | 166442770 | 166442780 | 166442790 | 166442800 | KL13AAG | KL13AAH |
| 11 | Shaft A431 | 165045880 | 165045890 | 165045900 | 165045910 | 165045920 | 165045930 | 165045940 | 165045950 |
| 31 | Tie rods kit SVF | KL22AXB | KL22AXC | KL22AXD | KL22AXE | KL22AXF | KL22AXG | KL22AXH | KL22AXK |

Motor, Coupling, Motor Adaptor

| **1 | kW -> | 7.5 | 15.0 | 22.0 | 30.0 | 37.0 | 45.0 | 55.0 |
|-----|-------------------|-----------|-----------|-----------|-----------|-----------|-----------|-----------|
| | Mot. 2P,3-,IE2 -> | 50017VB00 | 50024VB00 | 50026VE00 | 107242100 | 107242200 | 107242300 | 107242400 |
| | Mot. 2P,3-,IE3 -> | 50A17VB00 | 50A24VB00 | 50A26VE00 | 107242600 | 107242700 | 107242800 | 107242900 |
| 2 | Adaptor | 161453640 | 161453660 | 161453660 | 161453680 | 161453680 | 161453700 | 161453710 |
| 23 | Lifting ring | 161441050 | 161441060 | 161441060 | 161441070 | 161441070 | 161441070 | 161441070 |
| 26 | Coupling | KL10AAC | KL10AAD | KL10AAE | KL10AAF | KL10AAF | KL10AAF | KL10AB1 |
| 27 | Coupling guard | KL33AAB | KL33AAC | KL33AAC | KL33AAC | KL33AAC | KL33AAC | KL33AAC |

Wear parts, pump body drum, impeller stop, impeller locking

| | | 125SV1 | 125SV2 | 125SV3 | ->125SV5 | ->125SV7 | 125SV8 |
|-----|-------------------------------|----------------------|----------------------|-------------------|-------------------|-------------------|-------------------|
| | | 1 bearing no drum | 2 bearing no drum | 2 bearing drum | 3 bearing drum | 4 bearing drum | 5 bearing drum |
| *34 | Wear parts Kit | KL35AFD | KL35AFE | KL35AFF | KL35AFG | KL35AFH | KL35AFK |
| 14 | Pump body PN25-40 | 161353810 | 161353810 | 161353810 | 161353810 | 161353810 | 161353810 |
| 22 | Kit wear rings | KL03ACH | KL03ACH | KL03ACH | KL03ACH | KL03ACH | KL03ACH |
| 28 | Drum EPDM HT | - | - | KL41ABB | KL41ABB | KL41ABB | KL41ABB |
| 29 | Impeller locking | KL41AAG | KL41AAG | - | - | - | - |
| 36 | Kit pipe coupling for HT A302 | KL45AAB | KL45AAB | KL45AAB | KL45AAB | KL45AAB | KL45AAB |

Mechanical seal D22 + OR

| | | | | |
|-----|--------------|---------|---------|----------------------------|
| *20 | Materials -> | Q1AEGG | KL01AEW | STD -> Q1AEGG - OR EPDM HT |
| | | Q1AVGG | KL01AEX | |
| | | Q1Q1VGG | KL01AC3 | |

Common, Single Unit and Kit

| | | | |
|-----|-----------------------|-----------|-----------------|
| 4 | Plugs EPDM HT | KL34AAY | |
| 5 | Seal housing plate | 160150260 | |
| 6 | Upper head | 161453760 | |
| 7 | Spring | 169100210 | |
| *8 | Reduced impeller | 160704410 | |
| *9 | Full impeller | 160704400 | |
| 12 | Bush locking cover | 164002340 | |
| 15 | Diffuser A304 | 162801800 | |
| 18 | Adapter ring | 168602040 | |
| 19 | Screws kit | KL40AAA | |
| *21 | OR EPDM HT | KL02AB8 | |
| 30 | Bush seal EPDM HT | KL41AA8 | |
| 32 | Bearing spider, lower | 161441350 | |
| 35 | Ring for sleeve | 168602140 | 7-8 Stages 50Hz |

* Recommended spare parts - Parti di ricambio consigliate

* Pièces détachées conseillées - Empfohlene Ersatzteile

** Motor spare parts: see motor lists - Parti di ricambio motore: vedi liste motore

** Pièces détachées Moteur : voir listes moteur - Motor-Ersatzteile: gem. Motorlisten

xylem