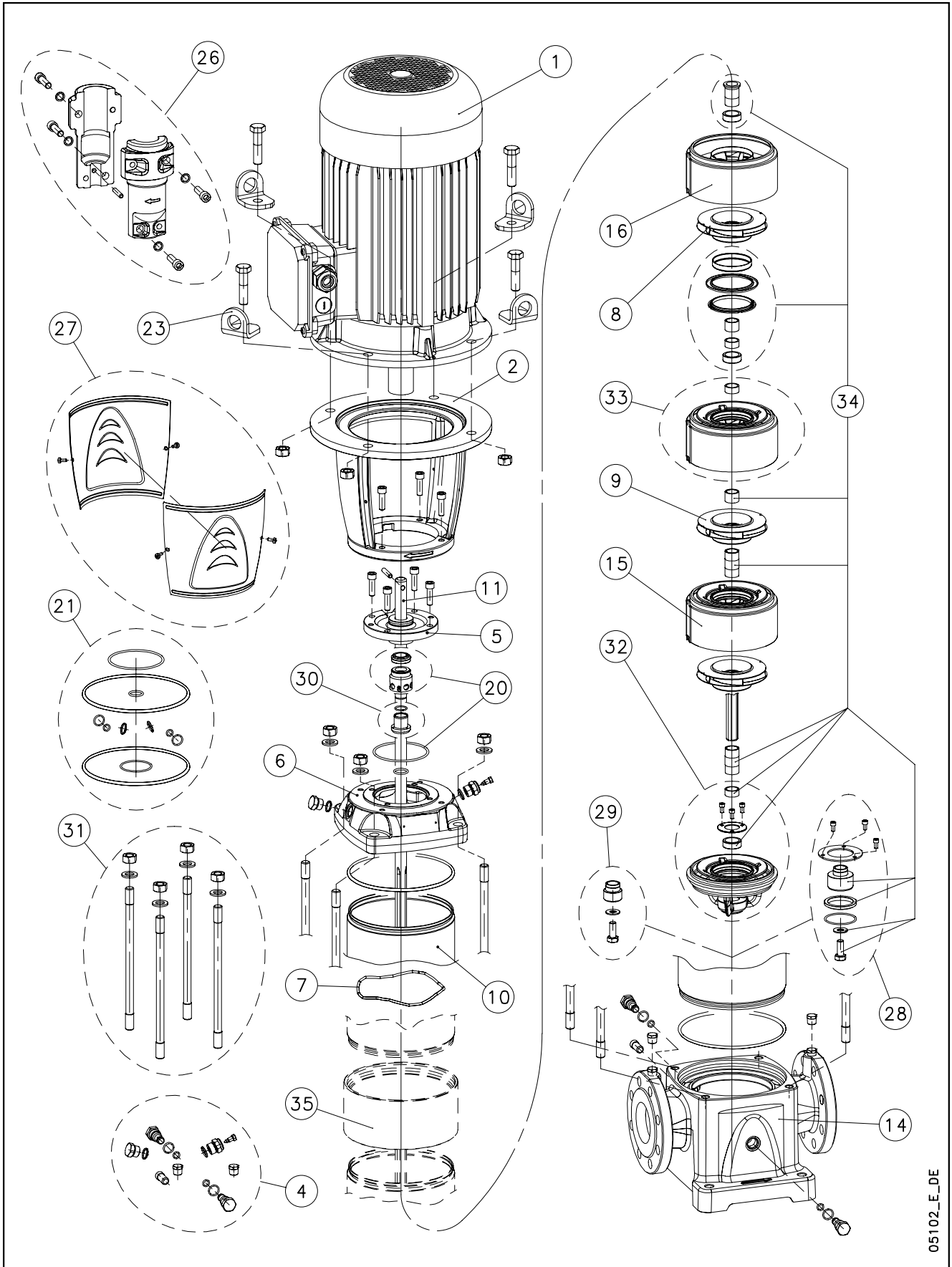


## 33, 46, 66, 92 SV



05102\_E\_DE

Lowara, Flygt and Vogel Pumpen are a trademark of Xylem Inc. or one of its subsidiaries. Goulds is a registered trademark of Goulds Pumps, Inc. and is used under license.

N.	Descrizione It	Description en	Description fr	Beschreibung de	Descripción es	Descrição pt
1	Motore	Motor	Moteur	Motor	Motor	Motor
2	Lanterna	Adaptor	Lanterne	Motorlaterne	Adaptador	Adaptador
4	Tappi	Plugs	Bouchons	Stopfen	Tapones	Tampões
5	Disco porta tenuta	Seal housing plate	Disque de support garniture	Dichtungsdeckel	Disco de alojamiento sello	Disco porta-vedante
6	Testata superiore	Upper head	Tête supérieure	Oberer kopf	Cabezal superior	Cabeça superior
7	Molla	Spring	Ressort	Feder	Muelle	Mola
8	Girante ridotta	Reduced impeller	Roue réduite	Laufrad, reduzierter Durchmesser	Rodete, reducido	Impulsor reduzido
9	Girante piena	Full impeller	Roue pleine	Laufrad, voller Durchmesser	Rodete, completo	Impulsor completo
10	Camicia	Sleeve	Chemise	Gehäuse	Camisa	Camisa
11	Albero	Shaft	Arbre	Welle	Árbol	Veio
14	Corpo pompa	Pump body	Corps de pompe	Pumpengehäuse	Caja bomba	Corpo da bomba
15	Diffusore boccola carbone	Diffuser carbon bush	Diffuseur douille carbone	Diffusor und Büchse, Kohle	Difusor casquillo carbón	Difusor bucha carvão
16	Diffusore finale	Last stage diffuser	Diffuseur dernier étage	Enddiffusor	Difusor final	Difusor final
20	Kit tenuta mecc. + OR	Mechanical seal + OR kit	Kit garniture mec. + joints toriques	Gleitringdichtung + O-Ring [Satz]	Kit sello mec. + junta tórica	Kit vedante mec. + OR
21	Kit guarnizioni OR	O ring kit	Kit joints toriques	Dichtungssatz	Kit juntas tóricas	Kit guarnições OR
23	Anello sollevamento	Lifting ring	Anneau de levage	Huböse	Anillo de elevación	Anel de suspensão
26	Kit coppia di semigiunti	Pair of half coupling kit	Kit paire de demi-manchons	Kupplung [Satz]	Kit par de semijuntas	Kit par de semi-juntas
27	Kit protezione giunto	Coupling guard kit	Kit protection manchon	Kupplungsschutz [Satz]	Kit protección junta	Kit proteção junta
28	Kit tamburo reggipinta	Thrust drum kit	Kit tambour butée	Drucklagerscheibe [Satz]	Kit tambor de empuje	Kit tambor de impulso
29	Kit bloccaggio giranti	Impeller locking kit	Kit blocage roues	Laufrad Halt [Satz]	Kit bloqueo rodetes	Kit bloqueio impulsores
30	Kit bussola tenuta	Bush seal kit	Kit douille garniture	ringdichtungsarretierung und mitneh	Kit casquillo sello	kit bucha vedante
31	Kit tiranti	Tie rods kit	Kit tirants	Zugstangen [Satz]	Kit tirantes	Kit tirantes
32	Kit supporto boccola Widia	Support tungsten bush kit	Kit support douille Widia	Widia Halterung [Satz]	Kit soporte casquillo Widia	Kit suporte com tungstênio bucha
33	Kit diffusore boccola Widia	Diffuser tungsten bush kit	Kit diffuseur douille Widia	Diffusor mit Widia Büchse [Satz]	Kit difusor casquillo Widia	Kit difusor com tungstênio bucha
34	Kit parti di usura	Wear parts kit	Kit parties d'usure	Verschleißteile [Satz]	Kit piezas de desgaste	Kit peças desgastáveis
35	Anello per camicie	Sleeve ring	Anneau pour chemises	Ringhülse	Anillo para camisas	Anel para camisas
N.	Beschrijving nl	Περιγραφή el	Açıklama tr	Kuvau fi	Описание ru	Opis pl
1	Motor	Πλήρης κινητήρας	Motor	Moottori	Двигатель	Silnik
2	Lantaarnstuk	Μπρακέτο	Adaptör	Sovitin	Крестовина	Piasta
4	Pluggen	Σετ πατών	Tapalar	Tulpat	Пробки	Zatyczki
5	Dichtingssteunplaat	Δίσκος μηχανικού στυπιοθλίπτη	Sızdırmazlık elemanı diski	Tiivisteenn kannatuslevy	Пластина держателя прокладки	Tarcza uszczelki
6	Bovenste kop	Κεφαλή αντλίας	Üst kafa	Yläkansi	Верхняя головка	Głowica górna
7	Veer	Έλασμα	Yay	Jousi	Пружина	Sprężyna
8	Waaier met verkleinde diameter	Πτερόγιο μειωμένης διαμέτρου	Küçük boylu pompa rotoru	Pieni juoksupyörä	Уменьшенное рабочее колесо	Wirnik niepełny
9	Volle waaier	Πτερόγιο πλήρους διαμέτρου	Tam boylu pompa rotoru	Täydellinen juoksupyörä	Полное рабочее колесо	Wirnik pełny
10	Mantel	Κέλυφος	Gömlek	Muhvi	Муфта	Plaszcz
11	As	Άξονας	Mil	Akseli	Вал	Wał
14	Pomphuis	Σώμα αντλίας	Pompa gövdesi	Pumpun runko	Корпус насоса	Korpus pompy
15	Diffusor koollager	Πτερόγιο εκτροπής με κουζινέτο	Karbon burçlu difüzör	Diffusori ja hiiliholkki	Диффузор втулки угля	Dyfuzor tulejki węgla
16	Diffusor laatste trap	Τελευταίο πτερόγιο εκτροπής	Son difüzör	Loppuvaiheen diffuusori	Конечный диффузор	Dyfuzor końcowy
20	Set mech. asafdichting + O-ring	Μηχανικός στυπιοθλίπτης και ροδέλες στεγανοποίησης	Mekanik salmastra kiti + O-Ring	Mek. tiiviste + O-rengassarja	Комплект мех.прокладки + OR	Zestaw uszcz. mech. + OR
21	Set O-ringafdichtingen	Σετ ροδέλες στεγανοποίησης	O-Ring kiti	O-rengassarja	Комплект кольцевых прокладок OR	Zestaw uszczel. OR
23	Hijs ring	Άρση δαχτυλίδι	Cihaz kaldırma	Nostorengas	Подъемные кольца	Pierścień podnoszenia
26	Set koppelingshelften	Σετ σταθερού συνδέσμου	Çift yarım manşon kiti	Liitinsarja	Комплект пары полумуфт	Zestaw pary półzłączy
27	Set koppelingsbescherming	Καλύμματα προστασίας σταθερού συνδέσμου	Manşon koruma kiti	Liitoksen suojuussarja	Комплект защиты муфт	Zestaw ochrony złączy
28	Set druklagertrommel	Σετ ωστικού εμβόλου	Basinc yatağı tambur kiti	Rumpusarja	Комплект упорного барабана	Testaw bębna łożyska oporowego
29	Set waaierblokkeringen	Σετ ασφάλισης πτερυγίων	Pompa rotorlarını sabitleme kiti	Juoksupyörien kiinnityssarja	Комплект блокировки раб. колес	Zestaw blokujący wirniki
30	Set afdichtingsbus	Σετ κουζινέτου μηχανικού στυπιοθλίπτη	Sızdırmazlık elemanı burcu kiti	Holkki ja tiiviste	Комплект втулки уплотнения	Zestaw busoli uszczel.
31	Set trekstangen	Σετ ράβδων σύνδεσης	Gergi çubuğu kiti	Vetotankosarja	Комплект тяг	Zestaw napinaczy
32	Set Widia steunbus	Σετ κάτω κουζινέτου	Tungsten burç mesnedi kiti	Kannatin ja kovametalliholkki	Комплект опоры втулки Widia	Zestaw wspornika tulejki Wolfram
33	Set Widia diffusorbus	Σετ πτερυγίου εκτροπής με κουζινέτο και δακτύλιο τριβής	Tungsten burçlu difüzör kiti	Diffusori ja kovametalliholkki	Комплект диффузора втулки Widia	Zestaw dyfuzora tulejki Wolfram
34	Set slijtonderdelen	Σετ δακτύλιων τριβής	Aşınma parçaları kiti	Kulumisiosien sarja	Комплект изнашиваемых частей	Zestaw części podl. zużyciu
35	Ring voor mantels	Σύνδεσμος κελύφων	Gömlek halkası	Muhvirengas	Кольцо муфты	Pierścień do płaszczy

## SV33F/P 2 Pole

ELP 2 P, 3 ~										
F - Version 3 ~ >	SV3301/1F	SV3301F/P	SV3302/2F/P	SV3302/1F/P	SV3302F/P	SV3303/2F/P	SV3303/1F/P	SV3303F/P	SV3304/2F/P	SV3304/1F/P
	102700011	101570021	101570031	101570041	101570051	101570061	101570071	101570081	101570091	101570101
3 ~ >	SV3304F/P	SV3305/2F/P	SV3305/1F/P	SV3305F/P	SV3306/2F/P	SV3306/1F/P	SV3306F/P	SV3307/2F/P	SV3307/1F/P	SV3307F/P
	101570111	101570121	101570131	101570141	101570151	101570161	101570171	101570181	101570191	101570201
3 ~ >	SV3308/2F/P	SV3308/1F/P	SV3308F/P	SV3309/2F/P	SV3309/1F/P	SV3309F/P	SV3310/2F/P	SV3310/1F	SV3310F	SV3311/2F
	101570211	101570221	101570231	101570241	101570251	101570261	101570271	102700281	102700291	102700301
3 ~ >	SV3311/1F	SV3311F	SV3312/2F	SV3312/1F	SV3312F	SV3313/2F	SV3313/1F			
	102700311	102700321	102700331	102700341	102700351	102700361	102700371			
Motor power kW >	2,2	3,0	4,0	4,0	5,5	5,5	7,5	7,5	7,5	11,0
	11,0	11,0	11,0	15,0	15,0	15,0	15,0	15,0	18,5	18,5
	18,5	18,5	22,0	22,0	22,0	22,0	22,0	30,0	30,0	30,0
	30,0	30,0	30,0	30,0	30,0	30,0	30,0	30,0		
Stages Number	1	1	2	2	2	3	3	3	4	4
	4	5	5	5	6	6	6	7	7	7
	8	8	8	9	9	9	10	10	10	11
	11	11	12	12	12	13	13			

### Single Unit and Kit

10	Stages >	1	2	3	4	5	6	7	8	9	10
		11	12	13							
Sleeve STD		166441881	166441891	166441901	166441911	166441921	166441931	166441941	166441951	166441961	166441971
	KL13AAA	KL13AAB	KL13AAC	Note. Double Sleeve Kit Without Sleeve Ring (pls see item 35)							
Sleeve OPTION 316SS, PN40		156408600	156408610	156408620	156408630	156408640	156408650	156408660	156408670	156408680	156408690
	KL13AAA	KL13AAB	KL13AAC	Note. Double Sleeve Kit Without Sleeve Ring (pls see item 35)							
11 Shaft 431 SS		165045621	165045631	165045641	165045651	165045661	165045671	165045681	165045691	165045701	165045711
		165045721	165045731	165045741							
31 Tie rods kit SVF		KL22AAC	KL22AAD	KL22AAE	KL22AAF	KL22AAG	KL22AAH	KL22AAK	KL22AAL	KL22AAM	KL22AAN
		KL22AAP	KL22AAQ	KL22AAR							

### Mech seal Kit

*20	Materials ->	Q1BEGG	Q1Q1EGG	Q1BVGG	Q1Q1VGG	Q1CTGG	Q1Q1TGG				
	Mech seal D22 + OR	KL01AC0	KL01AC1	KL01AC2	KL01AC3	KL01AC5	KL01AC6	STD -> Q1BEGG - OR EPDM			

### Wear parts, pump body drum, impeller stop, impeller locking

		->SV3304	->SV3305	->SV3309	->SV3313
		1 bearing no drum	2 bearing no drum	2 bearing drum	3 bearing drum
* 34	Wear Parts Kit	KL35AA9	KL35ABA	KL35ABB	KL35ABD
14	Pump body	PN16	151351000	151351000	-
		PN25-40	-	-	151351020
28	Drum	EPDM	-	-	KL41AAA
		FPM	-	-	KL41AAD
		FEP	-	-	KL41AAS
29	Impeller locking	KL41AAG	KL41AAG	-	-

### Common, Single Unit and Kit

4	Plugs	EPDM	KL34AAF	
		FPM	KL34AAG	
		FEP	KL34AAH	
5	Seal housing plate	160150260		
6	Upper head	161453740		
7	Spring	169100190		
*8	Reduced impeller	150702820		
*9	Full impeller	150702740	For example. SV3303/2 = 3 STages = 3 Impellers: 2 Imp. Reduced, 1 Imp. Full	
15	Diffuser carbon bush	152801801	304 SS	
16	Last stage diffuser	152801731	304 SS	
*21	OR	EPDM	KL02AAA	Single-Double Sleeve
		FPM	KL02AAD	
	OR	FEP	KL02AA7	Single Sleeve
		FPM	KL02AAE	
OR	FEP	KL02AA8	Double Sleeve	
30	Bush seal	KL41AAH		
32	Support tungsten bush SVF	KL16AAA		
*33	Diffuser tungsten bush	KL05AC6	From SV3304, incl.	
35	Sleeve ring	168601900	For 11-12-13 Stages Pumps	

### Motor, Coupling, Adaptor

**1	kW >	2,2	3,0	4,0	5,5	7,5	11,0	15,0	18,5	22,0	30,0
	Motor 2P, 3 ~>	107230220	50002RF00	50008VGG00	50013VE00	50017VB00	50019VE00	50024VB00	50025VB00	50026VE00	130643901
2	Adaptor	161453600	161453620	161453620	161453640	161453640	161453660	161453660	161453660	161453660	161453680
23	Lifting bracket	-	-	-	161441050	161441050	161441060	161441060	161441060	161441060	161441070
26	Coupling	KL10AAA	KL10AAB	KL10AAB	KL10AAC	KL10AAC	KL10AAD	KL10AAD	KL10AAD	KL10AAE	KL10AAF
27	Coupling guard	KL33AAA	KL33AAA	KL33AAA	KL33AAB	KL33AAB	KL33AAC	KL33AAC	KL33AAC	KL33AAC	KL33AAC

## SV33F/P 4 Pole

Production date > Feb08

ELP 4 P, 3 ~										
F - Version 3 ~ >	SV3303/2F4/P	SV3304/1F4/P	SV3305F4/P	SV3306F4/P	SV3307F4/P	SV3308F4/P	SV3309F4/P	SV3310F4/P	SV3311F4/P	SV3312F4/P
	101570561	101570601	101570641	101570671	101570701	101570731	101570761	101570791	101570821	101570851
3 ~ >	SV3313F4/P									
	101570881									
Motor power kW >	1,1	1,1	1,5	2,2	2,2	3,0	3,0	3,0	4,0	4,0
Stages number	3	4	5	6	7	8	9	10	11	12
	13									

### Single Unit and Kit

10	Stages >	3	4	5	6	7	8	9	10	11	12
		13									
Sleeve STD		166441901	166441911	166441921	166441931	166441941	166441951	166441961	166441971	KL13AAD	KL13AAE
		KL13AAF	<b>Note. Double Sleeve Kit Without Sleeve Ring (pls see item 35)</b>								
Sleeve OPTION 316 SS, PN 40		156408620	156408630	156408640	156408650	156408660	156408670	156408680	156408690	KL13AAA	KL13AAB
		KL13AAC	<b>Note. Double Sleeve Kit Without Sleeve Ring (pls see item 35)</b>								
11 Shaft 431 SS		165045641	165045651	165045661	165045671	165045681	165045691	165045701	165045711	165045721	165045731
		165045741									
31 Tie rods kit SVF		KL22AAE	KL22AAF	KL22AAG	KL22AAH	KL22AAK	KL22AAL	KL22AAM	KL22AAN	KL22AAP	KL22AAQ
		KL22AAR									

### Mech seal Kit

*20	Materials ->	Q1BEGG	Q1Q1EGG	Q1BVGG	Q1Q1VGG	Q1CTGG	Q1Q1TGG	
	Mech seal D22 + OR	KL01AC0	KL01AC1	KL01AC2	KL01AC3	KL01AC5	KL01AC6	STD -> Q1BEGG - OR EPDM

### Wear parts, pump body impeller stop, impeller locking

->SV3304	->SV3309	->SV3313
1 bearing no drum	2 bearing no drum	3 bearing no drum

* 34	Wear Parts Kit	KL35AA9	KL35ABA	KL35ABC
14	Pump body PN16	151351000	151351000	151351000
29	Impeller locking	KL41AAG	KL41AAG	KL41AAG

### Common, Single Unit and Kit

4	Plugs	EPDM	KL34AAF	
		FPM	KL34AAG	
		FEP	KL34AAH	
5	Seal housing plate	160150260		
6	Upper head	161453740		
7	Spring	169100190		
8	Reduced impeller	150702820		
9	Full impeller	150702740	<b>For example. SV3303/2 4 = 3 Stages = 3 Impellers: 2 Imp. Reduced, 1 Imp. Full, 4P</b>	
15	Diffuser carbon bush	152801801	304 SS	
16	Last stage diffuser	152801731	304 SS	
*21	OR	EPDM	KL02AAA	Single-Double Sleeve
		FPM	KL02AAD	
	OR	FEP	KL02AA7	Single Sleeve
		FPM	KL02AAE	
	OR	FEP	KL02AA8	Double Sleeve
30	Bush seal	KL41AAH		
32	Support tungsten bush SVF	KL16AAA		
*33	Diffuser tungsten bush	KL05AC6	From SV3304, included	
35	Sleeve ring	168601900	<b>For 11-12-13 Stages Pumps</b>	
	Diffuser box empty	152801960	SV33-46 2-4 pole	

### Motor, Coupling, Adaptor

**1	kW >	1,1	1,5	2,2	3,0	4,0
	Motor 4P, 3~ ->	50005RD00	50006RD00	50010RD00	50011RD00	50015RD00
2	Adaptor	161453600	161453600	161453620	161453620	161453620
23	Lifting bracket	-	-	-	-	-
26	Coupling	KL10AAA	KL10AAA	KL10AAB	KL10AAB	KL10AAB
27	Coupling guard	KL33AAA	KL33AAA	KL33AAA	KL33AAA	KL33AAA

### Pump stack, EPDM

Stages >	1	2	3	4	5	6	7	8	9	10
	11	12	13	Articles with production To be Defined, at Feb. 2007						

\* Recommended spare parts - Parti di ricambio consigliate

\* Pièces détachées conseillées - Empfohlene Ersatzteile

\*\* Motor spare parts: see motor lists - Parti di ricambio motore: vedi liste motore

\*\* Pièces détachées Moteur : voir listes moteur - Motor-Ersatzteile: gem. Motorlisten

SV33-92F\_5\_P\_Feb08\_EdE

## SV46F/P 2 Pole

ELP 2 P, 3 ~											
F - Version 3 ~ >	SV4601/1F/P	SV4601F/P	SV4602/2F/P	SV4602F/P	SV4603/2F/P	SV4603F/P	SV4604/2F/P	SV4604F/P	SV4605/2F/P	SV4605F/P	
	101572011	101572021	101572031	101572041	101572051	101572061	101572071	101572081	101572091	101572101	
	SV4606/2F/220	SV4606F/220T	SV4607/2F/P	SV4607F/P	SV4608/2F/P	SV4608F/P	SV4609/2F/P	SV4609F/P	SV4610/2F/P	SV4610F/P	
3 ~ >	101572111	101572121	102702131	102702141	102702151	102702161	102702171	102702181	102702191	102702201	
	SV4611/2F/P	SV4611F/P	SV4612/2F/P	SV4612F/P	SV4613/2F/P						
Motor power kW >	3.0	4.0	5.5	7.5	11.0	11.0	15.0	15.0	18.5	18.5	
	22.0	22.0	30.0	30.0	30.0	30.0	30.0	37.0	37.0	37.0	
	45.0	45.0	45.0	45.0	45.0						
Stages number	1	1	2	2	3	3	4	4	5	5	
	6	6	7	7	8	8	9	9	10	10	
	11	11	12	12	13						

### Single Unit and Kit

10	Stages >	1	2	3	4	5	6	7	8	9	10
Sleeve STD		11	12	13							
	166441881	166441891	166441901	166441911	166441921	166441931	166441941	166441951	166441961	156408690	
	KL13AAA	KL13AAB	KL13AAC	Note. Double Sleeve Kit Without Sleeve Ring (pls see item 35)							
Sleeve OPTION 316 SS, PN 40	156408600	156408610	156408620	156408630	156408640	156408650	156408660	156408670	156408680	156408690	
	KL13AAA	KL13AAB	KL13AAC	Note. Double Sleeve Kit Without Sleeve Ring (pls see item 35)							
11 Shaft 431 SS	165045621	165045631	165045641	165045651	165045661	165045671	165045681	165045691	165045701	165045711	
	165045721	165045731	165045741								
31 Tie rods kit SVF	KL22AAC	KL22AAD	KL22AAE	KL22AAF	KL22AAG	KL22AAH	KL22AAK	KL22AAL	KL22AAM	KL22AAN	
	KL22AAP	KL22AAQ	KL22AAR								

### Mechanical seal kit

*20	Materials ->	Q1BEGG	Q1Q1EGG	Q1BVGG	Q1Q1VGG	Q1CTGG	Q1Q1TGG	
	Mech. seal D22 + OR	KL01AC0	KL01AC1	KL01AC2	KL01AC3	KL01AC5	KL01AC6	STD -> Q1BEGG - OR EPDM

### Wear parts, pump body

		->SV4603	->SV4604	->SV4609	->SV4613
drum, impeller stop, impeller locking		1 bearing no drum	1 bearing drum	2 bearing drum	3 bearing drum
*34 Wear Parts Kit		KL35ABE	KL35ABX	KL35ABG	KL35ABK
14 Pump body	PN16	151351040	-	-	-
	PN16-40	-	151351060	151351060	151351060
28 Drum	EPDM	-	KL41AAB	KL41AAB	KL41AAB
	FPM	-	KL41AAE	KL41AAE	KL41AAE
	FEP	-	KL41AAT	KL41AAT	KL41AAT
29 Impeller locking		KL41AAG	-	-	-

### Common, Single Unit and Kit

4 Plugs	EPDM	KL34AAF	
	FPM	KL34AAG	
	FEP	KL34AAH	
5 Seal housing plate		160150260	
6 Upper head		161453740	
7 Spring		169100190	
*8 Reduced impeller		150702830	
*9 Full impeller		150702750	Example. SV4603/2 = 3 Stages = 3 Impellers: 2 Imp. Reduced, 1 Imp. Full
15 Diffuser carbon bush		152801811	304 SS
16 Last stage diffuser		152801731	304 SS
*21 OR	EPDM	KL02AAA	Single-Double Sleeve
	FPM	KL02AAD	
	FEP	KL02AA7	Single Sleeve
	FPM	KL02AAE	
OR	FPM	KL02AA8	Double Sleeve
	FEP	KL02AA8	
30 Bush seal		KL41AAH	
32 Support tungsten bush SVF		KL16AAB	
*33 Diffuser tungsten bush		KL05AC7	From SV4605, included
35 Sleeve ring		168601900	For 11-12-13 Stages Double Sleeve Pumps

### Motor, Single Unit and Kit

**1	Motor power >	3.0	4.0	5.5	7.5	11.0	15.0	18.5	22.0	30.0	37.0	
Motor 2P, 3-->	kW >	45.0										
		50002RF00	50008VG00	50013VE00	50017VB00	50019VE00	50024VB00	50025VB00	50026VE00	130643901	130643911	
2 Adaptor		161453620	161453620	161453640	161453640	161453660	161453660	161453660	161453660	161453680	161453680	
		161453700										
23 Lifting bracket		-	-	161441050	161441050	161441060	161441060	161441060	161441060	161441070	161441070	
		161441070										
26 Coupling	KL10AAB	KL10AAB	KL10AAC	KL10AAC	KL10AAD	KL10AAD	KL10AAD	KL10AAE	KL10AAF	KL10AAF		
	KL10AAF											
27 Coupling guard	KL33AAA	KL33AAA	KL33AAB	KL33AAB	KL33AAC	KL33AAC	KL33AAC	KL33AAC	KL33AAC	KL33AAC		
	KL33AAC											

## SV46F/P 4 Pole

ELP 4P, 3 ~										
F - Version	SV4602F4/P	SV4603F4/P	SV4604F4/P	SV4605F4/P	SV4606F4/P	SV4607F4/P	SV4608F4/P	SV4609F4/P	SV4610F4/P	SV1611F4/P
3 ~>	101572541	101572561	101572581	101572601	101572621	101572641	101572661	101572681	101572701	101572721
	SV4612F4/P									
3 ~>	101572741									
Motor power kW >	1,1	1,5	2,2	2,2	3,0	3,0	4,0	4,0	5,5	5,5
	5,5									
Stages number >	2	3	4	5	6	7	8	9	10	11
	12									

### Single Unit and Kit

10	Stages >	2	3	4	5	6	7	8	9	10	11
		12									
	Sleeve STD	166441891	166441901	166441911	166441921	166441931	166441941	166441951	166441961	166441971	KL13AAD
		KL13AAE Note. Double Sleeve pump without ring									
	Sleeve OPTION 316 SS, PN 40	156408610	156408620	156408630	156408640	156408650	156408660	156408670	156408680	156408690	KL13AAA
		KL13AAB Note. Double Sleeve pump without ring									
11	Shaft 431 SS	165045631	165045641	165045651	165045661	165045671	165045681	165045691	165045701	165045711	165045721
31	Tie rods kit SVF	KL22AAD	KL22AAE	KL22AAF	KL22AAG	KL22AAH	KL22AAK	KL22AAL	KL22AAM	KL22AAN	KL22AAP
		KL22AAQ									

### Mechanical seal kit

*20	Materials ->	Q1BEGG	Q1Q1EGG	Q1BVGG	Q1Q1VGG	Q1CTGG	Q1Q1TGG	
	Mech. seal D22 + OR	KL01AC0	KL01AC1	KL01AC2	KL01AC3	KL01AC5	KL01AC6	STD -> Q1BEGG - OR EPDM

### Wear parts, pump body

		->SV4604	->SV4609	->SV4612
	impeller halt, impeller locking	1 bearing no drum	2 bearing no drum	3 bearing no drum
*34	Wear Parts Kit	KL35ABE	KL35ABF	KL35ABH
14	Pump body PN16	151351060	151351060	151351060
29	Impeller locking	KL41AAG	KL41AAG	KL41AAG

### Common, Single Unit and Kit

4	Plugs	EPDM	KL34AAF	
		FPM	KL34AAG	
		FEP	KL34AAH	
5	Seal housing plate		160150260	
6	Upper head		161453740	
7	Spring		169100190	
8	Reduced impeller		150702830	
9	Full impeller		150702750	For example. SV4603_4 = 3 STages = 3 Impellers: No Imp. Reduced, 3 Imp. Full, 4P
15	Diffuser carbon bush		152801811	304 SS
16	Last stage diffuser		152801731	304 SS
*21	OR	EPDM	KL02AAA	Single-Double Sleeve
	OR	FPM	KL02AAD	
	OR	FEP	KL02AA7	Single Sleeve
	OR	FPM	KL02AAE	
	OR	FEP	KL02AA8	Double Sleeve
30	Bush seal		KL41AAH	
32	Support tungsten bush SVF		KL16AAB	
*33	Diffuser tungsten bush		KL05AC7	From SV4605, included
35	Sleeve ring		168601900	For 11-12 STages Double Sleeve Pumps
	Diffuser box empty		152801960	SV33-46 2-4 pole

### Motor, Single Unit and Kit

**1	Mot. power, kW	1,1	1,5	2,2	3,0	4,0	5,5
	Motor 4P ->	50005RD00	50006RD00	50010RD00	50011RD00	50015VD00	50020VB00
2	Adaptor	161453600	161453600	161453620	161453620	161453620	161453640
23	Lifting bracket	-	-	-	-	-	161441050
26	Coupling	KL10AAA	KL10AAA	KL10AAB	KL10AAB	KL10AAB	KL10AAC
27	Coupling guard	KL33AAA	KL33AAA	KL33AAA	KL33AAA	KL33AAA	KL33AAB

### Pump stack, EPDM

Stages >	1	2	3	4	5	6	7	8	9	10
	11	12	13	Articles with production To be Defined, at Feb. 2007						

\* Recommended spare parts - Parti di ricambio consigliate

\* Pièces détachées conseillées - Empfohlene Ersatzteile

\*\* Motor spare parts: see motor lists - Parti di ricambio motore: vedi liste motore

\*\* Pièces détachées Moteur : voir listes moteur - Motor-Ersatzteile: gem. Motorlisten

SV33-92F\_5\_P\_Feb08\_Ede

## SV66F/P 2 Pole

Production date > Feb08

ELP 2 P, 3 ~										
F - Version 3 ~>	SV6601/1F/P	SV6601F/P	SV6602/2F/P	SV6602/1F/P	SV6602F/P	SV6603/2F/P	SV6603/1F/P	SV6603F/P	SV6604/2F/P	SV6604/1F/P
	101574011	101574021	101574031	101574041	101574051	101574061	101574071	101574081	101574091	101574101
	SV6604F/P	SV6605/2F	SV6605/1F	SV6605F	SV6606/2F	SV6606/1F	SV6606F	SV6607/2F	SV6607/1F	SV6607F
3 ~>	101574111	102704121	102704131	102704141	102704151	102704161	102704171	102704181	102704191	102704201
	SV6608/2F	SV6608/1F	SV6608F							
Motor power kW >	4.0	5.5	7.5	11.0	11.0	15.0	15.0	18.5	18.5	22.0
	22.0	30.0	30.0	30.0	30.0	30.0	37.0	37.0	37.0	45.0
	45.0	45.0	45.0							
Stages number	1	1	2	2	2	3	3	3	4	4
	4	5	5	5	6	6	6	7	7	7
	8	8	8							

### Single Unit and Kit

10	Stages >	1	2	3	4	5	6	7	8	Note
	Sleeve STD	166442081	166442091	166442101	166442111	166442121	166442131	166442141	166442151	
	Sleeve OPTION	156408750	156408760	156408770	156408780	156408790	156408800	156408810	156408820	316 SS, PN40
11	Shaft	165045781	165045791	165045801	165045811	165045821	165045831	165045841	165045851	431 SS
31	Tie rods kit SVF	KL22AA5	KL22AA6	KL22AA7	KL22AA8	KL22AAH	KL22AA9	KL22ABA	KL22ABB	

### Mechanical seal Kit

*20	Materials ->	Q1BEGG	Q1Q1EGG	Q1BVGG	Q1Q1VGG	Q1CTGG	Q1Q1TGG			
	Mech. seal D22 + OR	KL01AC0	KL01AC1	KL01AC2	KL01AC3	KL01AC5	KL01AC6	STD -> Q1BEGG - OR EPDM		

### Wear parts, pump body drum, impeller stop, impeller locking

		->SV6602	->SV6603	->SV6606	->SV6608
		1 bearing no drum	1 bearing drum	2 bearing drum	3 bearing drum
*34	Wear Parts kit	KL35ABL	KL35ABY	KL35ABN	KL35ABQ
14	Pump body	PN16	151351080	151351100	151351100
		PN 25	-	-	151351130
28	Drum	EPDM	-	KL41AAC	KL41AAC
		FPM	-	KL41AAF	KL41AAF
		FEP	-	KL41AAU	KL41AAU
29	Impeller locking	KL41AAG	-	-	-

### Common, Single Unit and Kit

4	Plugs	EPDM	KL34AAF	
		FPM	KL34AAG	
		FEP	KL34AAH	
5	Seal housing plate	160150260		
6	Upper head	161453760		
7	Spring	169100210		
*8	Reduced impeller	150702840		
*9	Full impeller	150702760	Example. SV6603/2 = 3 Stages = 3 Impellers: 2 Imp. Reduced, 1 Imp. Full	
15	Diffuser carbon bush	152801821	304 SS	
16	Last stage diffuser	152801751	304 SS	
*21	OR	EPDM	KL02AAC	
		FPM	KL02AAF	
		FEP	KL02AA9	
30	Bush seal	KL41AAH		
32	Support tungsten bush SVF	KL16AAC		
*33	Diffuser tungsten bush	KL05AC8	From SV6604, included	

### Motor, Coupling, Motor Adaptor

**1	kW >	4.0	5.5	7.5	11.0	15.0	18.5	22.0	30.0	37.0	45.0
	Motor 2P, 3~>	50008VG00	50013VE00	50017VB00	50019VE00	50024VB00	50025VB00	50026VE00	130643901	<b>130643911</b>	130643921
2	Adaptor	161453620	161453640	161453640	161453660	161453660	161453660	161453660	161453680	161453680	161453700
23	Lifting bracket	-	161441050	161441050	161441060	161441060	161441060	161441060	161441070	161441070	161441070
26	Coupling	KL10AAB	KL10AAC	KL10AAC	KL10AAD	KL10AAD	KL10AAD	KL10AAE	KL10AAF	KL10AAF	KL10AAF
27	Coupling guard	KL33AAA	KL33AAB	KL33AAB	KL33AAC	KL33AAC	KL33AAC	KL33AAC	KL33AAC	KL33AAC	KL33AAC

- \* Recommended spare parts
- \* Motor spare parts: see motor lists

SV33-92F\_5\_P\_Feb08\_EdE

## SV66F/P 4 Pole

ELP 4 P, 3 ~								
F - Version	SV6601F4/P	SV6602F4/P	SV6603F4/P	SV6604F4/P	SV6605F4/P	SV6606F4/P	SV6607F4/P	SV6608F4/P
3 ~>	101574521	101574551	101574581	101574611	101574641	101574671	101574701	101574731
Mot. power, kW ->	1,1	1,5	2,2	3,0	4,0	4,0	5,5	5,5
Stages number	1	2	3	4	5	6	7	8

### Single Unit and Kit

10	Stages >	1	2	3	4	5	6	7	8	Note
	Sleeve STD	166442081	166442091	166442101	166442111	166442121	166442131	166442141	166442151	
	Sleeve OPTION	156408750	156408760	156408770	156408780	156408790	156408800	156408810	156408820	316SS, PN40
11	Shaft	165045781	165045791	165045801	165045811	165045821	165045831	165045841	165045851	431SS
31	Tie rods kit SVF	KL22AA5	KL22AA6	KL22AA7	KL22AA8	KL22AAH	KL22AA9	KL22ABA	KL22ABB	

### Mechanical seal Kit

*20	Materials ->	Q1BEGG	Q1Q1EGG	Q1BVGG	Q1Q1VGG	Q1CTGG	Q1Q1TGG	
	Mech. seal D22 + OR	KL01AC0	KL01AC1	KL01AC2	KL01AC3	KL01AC5	KL01AC6	STD -> Q1BEGG - OR EPDM

### Wear parts, pump body impeller stop, impeller locking

		->SV6603	->SV6606	->SV6608
		1 bearing no drum	2 bearing no drum	3 bearing no drum
*34	Wear parts kit	KL35ABL	KL35ABM	KL35ABP
14	Pump body PN16	151351080	151351080	151351080
29	Impeller locking	KL41AAG	KL41AAG	KL41AAG

### Common, Single Unit and Kit

4	Plugs	EPDM	KL34AAF	
		FPM	KL34AAG	
		FEP	KL34AAH	
5	Seal housing plate		160150260	
6	Upper head		161453760	
7	Spring		169100210	
8	Reduced impeller		150702840	
9	Full impeller		150702760	For example, SV6603 4 = 3 Stages = 3 Impellers: No Imp. Reduced, 3 Imp. Full, 4P
15	Diffuser carbon bush		152801821	304SS
16	Last stage diffuser		152801751	304SS
*21	OR	EPDM	KL02AAC	
		FPM	KL02AAF	
		FEP	KL02AA9	
30	Bush seal		KL41AAH	
32	Support tungsten bush SVF		KL16AAC	
*33	Diffuser tungsten bush		KL05AC8	From SV6604, included
	Diffuser box empty		152801970	SV66-92 2-4 pole

### Motor, Coupling, Motor Adaptor

**1	kW >	1,1	1,5	2,2	3,0	4,0	5,5
	Motor 4P, 3~>	50005RD00	50006RD00	50010RD00	50011RD00	50015VD00	50020VB00
2	Adaptor	161453600	161453600	161453620	161453620	161453620	161453640
23	Lifting bracket	-	-	-	-	-	161441050
26	Coupling	KL10AAA	KL10AAA	KL10AAB	KL10AAB	KL10AAB	KL10AAC
27	Coupling guard	KL33AAA	KL33AAA	KL33AAA	KL33AAA	KL33AAA	KL33AAB

### Pump stack, EPDM

Stages >	1	2	3	4	5	6	7	8
----------	---	---	---	---	---	---	---	---

Articles with production to Be Defined at February 2007

\* Recommended spare parts - Parti di ricambio consigliate

\* Pièces détachées conseillées - Empfohlene Ersatzteile

\*\* Motor spare parts: see motor lists - Parti di ricambio motore: vedi liste motore

\*\* Pièces détachées Moteur : voir listes moteur - Motor-Ersatzteile: gem. Motorlisten

SV33-92F\_5\_P\_Feb08\_EdE



## SV92F/P 2 Pole

Production date > Feb08

ELP 2 P, 3 ~										
F - Version	SV9201/1F/P	SV9201F/P	SV9202/2F/P	SV9202F/P	SV9203/2F/P	SV9203F/P	SV9204/2F	SV9204F	SV9205/2F	SV9205F
3 ~ >	101576011	101576021	101576031	101576041	101576051	101576061	102706071	102706081	102706091	102706101
3 ~ >	SV9206/2F	SV9206F	SV9207/2F							
	102706111	102706121	102706131							
Motor power kW >	5.5	7.5	11.0	15.0	18.5	22.0	30.0	30.0	37.0	37.0
Stages Number	1	1	2	2	3	3	4	4	5	5
	6	6	7							

### Single Unit and Kit

10	Stages >	1	2	3	4	5	6	7	Note
	Sleeve STD	166442081	166442091	166442101	166442111	166442121	166442131	166442141	
	Sleeve OPTION	156408750	156408760	156408770	156408780	156408790	156408800	156408810	316SS, PN40
11	Shaft	165045781	165045791	165045801	165045811	165045821	165045831	165045841	431SS
31	Tie rods kit SVF	KL22AA5	KL22AA6	KL22AA7	KL22AA8	KL22AAH	KL22AA9	KL22ABA	

### Mechanical seal Kit

*20	Materials ->	Q1BEGG	Q1Q1EGG	Q1BVGG	Q1Q1VGG	Q1CTGG	Q1Q1TGG	
	Mech. seal D22 + OR	KL01AC0	KL01AC1	KL01AC2	KL01AC3	KL01AC5	KL01AC6	STD -> Q1BEGG - OR EPDM

### Wear parts, pump body

		->SV9202	->SV9203	->SV9204	->SV9207
	drum, impeller stop, impeller locking	1 bearing no drum	1 bearing drum	2 bearing drum	3 bearing drum
*34	Wear parts Kit	KL35ABR	KL35ABZ	KL35ABT	KL35ABV
14	Pump body	PN16 PN25	151351080 -	151351100 -	- 151351130
28	Drum	EPDM FPM FEP	- KL41AAF KL41AAU	KL41AAC KL41AAF KL41AAU	KL41AAC KL41AAF KL41AAU
29	Impeller locking	KL41AAG	-	-	-

### Common, Single Unit and Kit

4	Plugs	EPDM FPM FEP	KL34AAF KL34AAG KL34AAH	
5	Seal housing plate		160150260	
6	Upper head		161453760	
7	Spring		169100210	
*8	Reduced impeller		150702850	
*9	Full impeller		150702770	Example. SV9203/2 = 3 Stages = 3 Impellers: 2 Imp. Reduced, 1 Imp. Full
15	Diffuser carbon bush		152801831	304SS
16	Last stage diffuser		152801751	304SS
*21	OR	EPDM FPM FEP	KL02AAC KL02AAF KL02AA9	
30	Bush seal		KL41AAH	
32	Support tungsten bush SVF		KL16AAD	
*33	Diffuser tungsten bush		KL05AC9	From SV9204, included

### Motor, Coupling, Motor Adaptor

**1	kW ->	5.5	7.5	11.0	15.0	18.5	22.0	30.0	37.0	45.0
	Mot. 2P, 3~ ->	50013VE00	50017VB00	50019VE00	50024VB00	50025VB00	50026VE00	130643901	130643911	130643921
2	Adaptor	161453640	161453640	161453660	161453660	161453660	161453660	161453680	161453680	161453700
23	Lifting bracket	161441050	161441050	161441060	161441060	161441060	161441060	161441070	161441070	161441070
26	Coupling	KL10AAC	KL10AAC	KL10AAD	KL10AAD	KL10AAD	KL10AAE	KL10AAF	KL10AAF	KL10AAF
27	Coupling guard	KL33AAB	KL33AAB	KL33AAC	KL33AAC	KL33AAC	KL33AAC	KL33AAC	KL33AAC	KL33AAC

\* Recommended spares

\* Motor spares: see motor lists

SV33-92F\_5\_P\_Feb08\_Ede

## SV92F/P 4 Pole

ELP 4 P, 3 ~								
F - Version	SV9201F4/P	SV9202F4/P	SV9203F4/P	SV9204F4/P	SV9205F4/P	SV9206F4/P	SV9207F4/P	SV9208F4/P
3 ~ >	101576521	101576551	101576581	101576611	101576641	101576671	101576701	101576731
Mot. power, kW >	1,1	2,2	3,0	4,0	5,5	5,5	7,5	7,5
Stages Number >	1	2	3	4	5	6	7	8

### Single Unit and Kit

10	Stages >	1	2	3	4	5	6	7	8	Note
	Sleeve STD	166442081	166442091	166442101	166442111	166442121	166442131	166442141	166442151	
	Sleeve OPTION	156408750	156408760	156408770	156408780	156408790	156408800	156408810	156408820	316SS, PN40
11	Shaft	165045781	165045791	165045801	165045811	165045821	165045831	165045841	165045851	431SS
31	Tie rods kit SVF	KL22AA5	KL22AA6	KL22AA7	KL22AA8	KL22AAH	KL22AA9	KL22ABA	KL22ABB	

### Mechanical seal Kit

*20	Materials ->	Q1BEGG	Q1Q1EGG	Q1BVGG	Q1Q1VGG	Q1CTGG	Q1Q1TGG	
	Mech. seal D22 + OR	KL01AC0	KL01AC1	KL01AC2	KL01AC3	KL01AC5	KL01AC6	STD -> Q1BEGG - OR EPDM

### Wear parts, pump body impeller stop, impeller locking

		-> SV9203	-> SV9206	-> SV9208
		1 bearing no drum	2 bearing no drum	3 bearing no drum
*34	Wear parts Kit	KL35ABR	KL35ABS	KL35ABU
14	Pump body PN16	151351080	151351080	151351080
29	Impeller locking	KL41AAG	KL41AAG	KL41AAG

### Common, Single Unit and Kit

4	Plugs	EPDM	KL34AAF	
		FPM	KL34AAG	
		FEP	KL34AAH	
5	Seal housing plate		160150260	
6	Upper head		161453760	
7	Spring		169100210	
8	Reduced impeller		150702850	
9	Full impeller		150702770	For example, SV9203_4 = 3 STages = 3 Impellers: No Imp. Reduced, 4 Imp. Full, 4P
15	Diffuser carbon bush		152801831	304 SS
16	Last stage diffuser		152801751	304 SS
*21	OR	EPDM	KL02AAC	
		FPM	KL02AAF	
		FEP	KL02AA9	
30	Bush seal		KL41AAH	
32	Support tungsten bush SVF		KL16AAD	
*33	Diffuser tungsten bush		KL05AC9	From SV9204, included
	Diffuser box empty		152801970	SV66-92 2-4 pole

### Motor, Coupling, Motor Adaptor

**1	kW ->	1,1	2,2	3,0	4,0	5,5	7,5
	Mot. 4P, 3~ ->	50005RD00	50010RD00	50011RD00	50015VD00	50020VB00	50021VB00
2	Adaptor	161453600	161453620	161453620	161453620	161453640	161453640
23	Lifting bracket	-	-	-	-	161441050	161441050
26	Coupling	KL10AAA	KL10AAB	KL10AAB	KL10AAB	KL10AAC	KL10AAC
27	Coupling guard	KL33AAA	KL33AAA	KL33AAA	KL33AAA	KL33AAB	KL33AAB

### Pump stack, EPDM

Stages >	1	2	3	4	5	6	7	8
	Articles with production to Be Defined at February 2007							

\* Recommended spare parts - Parti di ricambio consigliate

\* Pièces détachées conseillées - Empfohlene Ersatzteile

\*\* Motor spare parts: see motor lists - Parti di ricambio motore: vedi liste motore

\*\* Pièces détachées Moteur : voir listes moteur - Motor-Ersatzteile: gem. Motorlisten

SV33-92F\_5\_P\_Feb08\_EdE