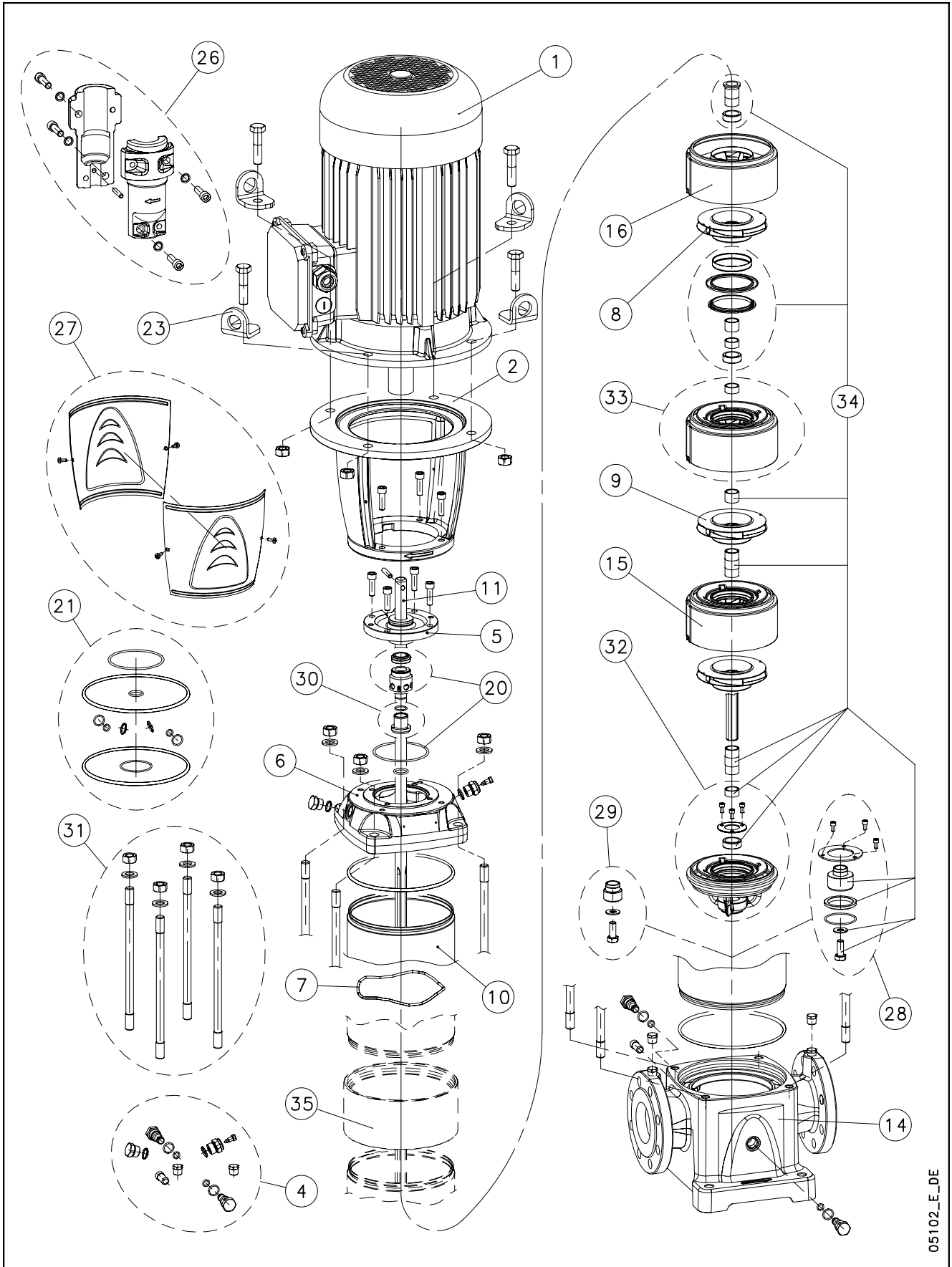


## 33, 46, 66, 92 SV



05102\_E\_DE

Lowara, Flygt and Vogel Pumpen are a trademark of Xylem Inc. or one of its subsidiaries. Goulds is a registered trademark of Goulds Pumps, Inc. and is used under license.

N.	Descrizione It	Description en	Description fr	Beschreibung de	Descripción es	Descrição pt
1	Motore	Motor	Moteur	Motor	Motor	Motor
2	Lanterna	Adaptor	Lanterne	Motorlaterne	Adaptador	Adaptador
4	Tappi	Plugs	Bouchons	Stopfen	Tapones	Tampões
5	Disco porta tenuta	Seal housing plate	Disque de support garniture	Dichtungsdeckel	Disco de alojamiento sello	Disco porta-vedante
6	Testata superiore	Upper head	Tête supérieure	Oberer kopf	Cabezal superior	Cabeça superior
7	Molla	Spring	Ressort	Feder	Muelle	Mola
8	Girante ridotta	Reduced impeller	Roue réduite	Laufrad, reduzierter Durchmesser	Rodete, reducido	Impulsor reduzido
9	Girante piena	Full impeller	Roue pleine	Laufrad, voller Durchmesser	Rodete, completo	Impulsor completo
10	Camicia	Sleeve	Chemise	Gehäuse	Camisa	Camisa
11	Albero	Shaft	Arbre	Welle	Árbol	Veio
14	Corpo pompa	Pump body	Corps de pompe	Pumpengehäuse	Caja bomba	Corpo da bomba
15	Diffusore boccola carbone	Diffuser carbon bush	Diffuseur douille carbone	Diffuser und Büchse, Kohle	Difusor casquillo carbón	Difusor bucha carvão
16	Diffusore finale	Last stage diffuser	Diffuseur dernier étage	Enddiffusor	Difusor final	Difusor final
20	Kit tenuta mecc. + OR	Mechanical seal + OR kit	Kit garniture mec. + joints toriques	Gleitringdichtung + O-Ring [Satz]	Kit sello mec. + junta tórica	Kit vedante mec. + OR
21	Kit guarnizioni OR	O ring kit	Kit joints toriques	Dichtungssatz	Kit juntas tóricas	Kit guarnições OR
23	Anello sollevamento	Lifting ring	Anneau de levage	Huböse	Anillo de elevación	Anel de suspensão
26	Kit coppia di semigiunti	Pair of half coupling kit	Kit paire de demi-manchons	Kupplung [Satz]	Kit par de semijuntas	Kit par de semi-juntas
27	Kit protezione giunto	Coupling guard kit	Kit protection manchon	Kupplungsschutz [Satz]	Kit protección junta	Kit proteção junta
28	Kit tamburo reggipinta	Thrust drum kit	Kit tambour butée	Drucklagerscheibe [Satz]	Kit tambor de empuje	Kit tambor de impulso
29	Kit bloccaggio giranti	Impeller locking kit	Kit blocage roues	Laufrad Halt [Satz]	Kit bloqueo rodetes	Kit bloqueio impulsores
30	Kit bussola tenuta	Bush seal kit	Kit douille garniture	ringdichtungsarretierung und mitneh	Kit casquillo sello	kit bucha vedante
31	Kit tiranti	Tie rods kit	Kit tirants	Zugstangen [Satz]	Kit tirantes	Kit tirantes
32	Kit supporto boccola Widia	Support tungsten bush kit	Kit support douille Widia	Widia Halterung [Satz]	Kit soporte casquillo Widia	Kit suporte com tungstênio bucha
33	Kit diffusore boccola Widia	Diffuser tungsten bush kit	Kit diffuseur douille Widia	Diffusor mit Widia Büchse [Satz]	Kit difusor casquillo Widia	Kit difusor com tungstênio bucha
34	Kit parti di usura	Wear parts kit	Kit parties d'usure	Verschleißteile [Satz]	Kit piezas de desgaste	Kit peças desgastáveis
35	Anello per camicie	Sleeve ring	Anneau pour chemises	Ringhülse	Anillo para camisas	Anel para camisas
N.	Beschrijving nl	Περιγραφή el	Açıklama tr	Kuvau fi	Описание ru	Opis pl
1	Motor	Πλήρης κινητήρας	Motor	Moottori	Двигатель	Silnik
2	Lantaarnstuk	Μπρακέτο	Adaptör	Sovitin	Крестовина	Piasta
4	Pluggen	Σειτ πατών	Tapalar	Tulpat	Пробки	Zatyczki
5	Dichtingssteunplaat	Δίσκος μηχανικού στυπιοθλίπτη	Sızdırmazlık elemanı diski	Tiivisteenn kannatuslevy	Пластина держателя прокладки	Tarcza uszczelki
6	Bovenste kop	Κεφαλή αντλίας	Üst kafa	Yläkansi	Верхняя головка	Głowica górna
7	Veer	Έλασμα	Yay	Jousi	Пружина	Sprężyna
8	Waaier met verkleinde diameter	Πτερόγιο μειωμένης διαμέτρου	Küçük boylu pompa rotoru	Pieni juoksupyörä	Уменьшенное рабочее колесо	Wirmik niepełny
9	Volle waaier	Πτερόγιο πλήρους διαμέτρου	Tam boylu pompa rotoru	Täydellinen juoksupyörä	Полное рабочее колесо	Wirmik pełny
10	Mantel	Κέλυφος	Gömlek	Muhvi	Муфта	Płaszcz
11	As	Άξονας	Mil	Akseli	Вал	Wał
14	Pomphuis	Σώμα αντλίας	Pompa gövdesi	Pumpun runko	Корпус насоса	Korpus pompy
15	Diffusor koollager	Πτερόγιο εκτροπής με κουζινέτο	Karbon burçlu difüzör	Diffusori ja hiiliholkki	Диффузор втулки угля	Dyfuzor tulejki węgla
16	Diffusor laatste trap	Τελευταίο πτερόγιο εκτροπής	Son difüzör	Loppuvaiheen diffusori	Конечный диффузор	Dyfuzor końcowy
20	Set mech. asafdichting + O-ring	Μηχανικός στυπιοθλίπτης και ροδέλες στεγανοποίησης	Mekanik salmastra kiti + O-Ring	Mek. tiiviste + O-rengassarja	Комплект мех.прокладки + OR	Zestaw uszcz. mech. + OR
21	Set O-ringafdichtingen	Σειτ ροδέλες στεγανοποίησης	O-Ring kiti	O-rengassarja	Комплект кольцевых прокладок OR	Zestaw uszczelkek OR
23	Hijs ring	Άρση δαχτυλίδι	Cihaz kaldırma	Nostorengas	Подъемные кольца	Pierścień podnoszenia
26	Set koppelingshelften	Σειτ σταθερού συνδέσμου	Çift yarım manşon kiti	Liitinsarja	Комплект пары полумуфт	Zestaw pary półzłączy
27	Set koppelingsbescherming	Καλύμματα προστασίας σταθερού συνδέσμου	Manşon koruma kiti	Liitoksen suojuussarja	Комплект защиты муфт	Zestaw ochrony złączy
28	Set druklagertrommel	Σειτ ωστικού εμβόλου	Basınç yatağı tambur kiti	Rumpusarja	Комплект упорного барабана	Testaw bębna łożyska oporowego
29	Set waaierblokkeringen	Σειτ ασφάλιση πτερυγίων	Pompa rotorlarını sabitleme kiti	Juoksupyörien kiinnityssarja	Комплект блокировки раб. колес	Zestaw blokujący wirniki
30	Set afdichtingsbus	Σειτ κουζινέτου μηχανικού στυπιοθλίπτη	Sızdırmazlık elemanı burcu kiti	Holkki ja tiiviste	Комплект втулки уплотнения	Zestaw busoli uszczel.
31	Set trekstangen	Σειτ ράβδων σύνδεσης	Gergi çubuğu kiti	Vetotankosarja	Комплект тяг	Zestaw napinaczy
32	Set Widia steunbus	Σειτ κάτω κουζινέτου	Tungsten burç mesnedi kiti	Kannatin ja kovametalliholkki	Комплект опоры втулки Widia	Zestaw wspornika tulejki Wolfram
33	Set Widia diffusorbus	Σειτ πτερυγίου εκτροπής με κουζινέτο και δακτύλιο τριβής	Tungsten burçlu difüzör kiti	Diffusori ja kovametalliholkki	Комплект диффузора втулки Widia	Zestaw dyfuzora tulejki Wolfram
34	Set slijtonderdelen	Σειτ δακτύλιων τριβής	Aşınma parçaları kiti	Kulumisiosien sarja	Комплект изнашиваемых частей	Zestaw części podł. zużyciu
35	Ring voor mantels	Σύνδεσμος κελύφων	Gömlek halkası	Muhvirengas	Кольцо муфты	Pierścień do płaszczy

## 33SVP 2 Pole (33SVP/D: motors IE3 fitted)

ELP 2 P, 3 ~	33SV2/2AP	33SV2/1AP	33SV2P	33SV4/2AP	33SV5/2AP	33SV6/1AP	33SV7/2AP	33SV8/1AP	33SV9P	33SV10/2AP
N - Version										
T(IE2) ->	101570036	101570046	101570056	101570096	101570126	101570166	101570186	101570226	101570266	101570276
T(IE3) ->	101680036	101680046	101680056	101680096	101680126	101680166	101680186	101680226	101680266	101680276
Motor power kW >	4,0	4,0	5,5	7,5	11,0	11,0	15,0	18,5	22,0	22,0

### Single Unit and Kit

Stages >	2	4	5	6	7	8	9	10
10 Sleeve PN40	156408610	156408630	156408640	156408650	156408660	156408670	156408680	156408690
11 Shaft	165045630	165045650	165045660	165045670	165045680	165045690	165045700	165045710
31 Tie rods kit SVN	KL22AAT	KL22AAV	KL22AAW	KL22AAX	KL22AAY	KL22AAZ	KL22AA0	KL22AA1

### Motor, Coupling, Adaptor

**1 kW >	4,0	5,5	7,5	11,0	15,0	18,5	22,0
Mot.2P,3~, IE2	50008VG00	50013VE00	50017VB00	50019VE00	50024VB00	50025VB00	50026VE00
Mot.2P,3~, IE3	50A08VL00	50A13VE00	50A17VB00	50A19VE00	50A24VB00	50A25VB00	50A26VE00
2 Adaptor	161453620	161453640	161453640	161453660	161453660	161453660	161453660
23 Lifting bracket	-	161441050	161441050	161441060	161441060	161441060	161441060
26 Coupling	KL10AAB	KL10AAC	KL10AAC	KL10AAD	KL10AAD	KL10AAD	KL10AAE
27 Coupling guard	KL33AAA	KL33AAB	KL33AAB	KL33AAC	KL33AAC	KL33AAC	KL33AAC

### Wear parts, pump body

Wear parts, pump body, impeller locking	->33SV4	->33SV5	->33SV9	->33SV13
1 bearing no drum	1 bearing no drum	2 bearing no drum	2 bearing drum	3 bearing drum
* 34 Wear Parts Kit	KL35AA9	KL35ABA	KL35ABB	KL35ABD
14 Pump body PN25-40	151302020	151302020	151302020	151302020
28 Drum EPDM	-	-	KL41AAA	KL41AAA
FPM	-	-	KL41AAD	KL41AAD
FEP	-	-	KL41AAS	KL41AAS
29 Impeller locking	KL41AAG	KL41AAG	-	-

### Mech seal D2 + OR

*20 Materials ->	Q1BEGG	KL01AC0
	Q1Q1EGG	KL01AC1
	Q1BVGG	KL01AC2
	Q1Q1VGG	KL01AC3
	Q1CTGG	KL01AC5
	Q1Q1TGG	KL01AC6

### Common, Single Unit and Kit

4 Plugs	EPDM	KL34AAF	
	FPM	KL34AAG	
	FEP	KL34AAH	
5 Seal housing plate		160102850	
6 Upper head		161440020	
7 Spring		169100190	
*8 Reduced impeller A		150702820	
*9 Full impeller		150702740	
15 Diffuser carbon bush		152801800	
16 Last stage diffuser		152801730	
*21 OR	EPDM	KL02AAA	
	FPM	KL02AAD	
	FEP	KL02AA7	
30 Bush seal		KL41AAH	
32 Support tungsten bush SVN		KL16AAE	
*33 Diffuser tungsten bush		KL05AC6	From 33SV4, included
35 Sleeve ring		-	

\* Recommended spare parts - Parti di ricambio consigliate

\* Pièces détachées conseillées - Empfohlene Ersatzteile

\*\* Motor spare parts: see motor lists - Parti di ricambio motore: vedi liste motore

\*\* Pièces détachées Moteur : voir listes moteur - Motor-Ersatzteile: gem. Motorlisten

3392SV\_P\_5\_June12\_EdA

## 46SVP 2 Pole (46SVP/D: motors IE3 fitted)

ELP 2 P, 3 ~								
N - Version	46SV2P	46SV3/2AP	46SV4/2AP	46SV6P	46SV7P	46SV8/2AP	46SV8P	46SV9/2AP
T(IE2) ~>	101572046	101572056	101572076	101572126	101572146	101572156	101572166	101572176
T(IE3) ~>	101682046	101682056	101682076	101682126	101682146	101682156	101682166	101682176
Motor power kW >	7.5	11.0	15.0	22.0	30.0	30.0	30.0	30.0

### Single Unit and Kit

	Stages >	2	3	4	6	7	8	9
10	Sleeve PN40	156408610	156408620	156408630	156408650	156408660	156408670	156408680
11	Shaft	165045630	165045640	165045650	165045670	165045680	165045690	165045700
31	Tie rods kit SVN	KL22AAT	KL22AAU	KL22AAV	KL22AAX	KL22AAY	KL22AAZ	KL22AAO

### Motor, Coupling, Adaptor

**1	Motor power > kW >	7.5	11.0	15.0	18.5	22.0	30.0
	Mot.2P,3~, IE2 >	50017VB00	50019VE00	50024VB00	50025VB00	50026VE00	107242100
	Mot.2P,3~, IE3 >	50A17VB00	50A19VE00	50A24VB00	50A25VB00	50A26VE00	107242600
2	Adaptor	161453640	161453660	161453660	161453660	161453660	161453680
23	Lifting bracket	161441050	161441060	161441060	161441060	161441060	161441070
26	Coupling	KL10AAC	KL10AAD	KL10AAD	KL10AAD	KL10AAE	KL10AAF
27	Coupling guard	KL33AAB	KL33AAC	KL33AAC	KL33AAC	KL33AAC	KL33AAC

### Wear parts, pump body drum, impeller stop, impeller locking

		->46SV3	->46SV4	->46SV9
		1 bearing no drum	1 bearing drum	2 bearing drum
*34	Wear Parts Kit	KL35ABE	KL35ABX	KL35ABG
14	Pump body PN16-40	151302060	151302060	151302060
28	Drum	EPDM	KL41AAB	KL41AAB
		FPM	KL41AAE	KL41AAE
		FEP	KL41AAT	KL41AAT
29	Impeller locking	KL41AAG	-	-

### Mech seal D2 + OR

*20	Materials ->	Q1BEGG	KL01AC0
		Q1Q1EGG	KL01AC1
		Q1BVGG	KL01AC2
		Q1Q1VGG	KL01AC3
		Q1CTGG	KL01AC5
		Q1Q1TGG	KL01AC6

### Common, Single Unit and Kit

4	Plugs	EPDM	KL34AAF
		FPM	KL34AAG
		FEP	KL34AAH
5	Seal housing plate		160102850
6	Upper head		161440020
7	Spring		169100190
8	Reduced impeller A		150702830
9	Full impeller		150702750
15	Diffuser carbon bush		152801810
16	Last stage diffuser		152801730
*21	OR	EPDM	KL02AAA
		FPM	KL02AAD
		FEP	KL02AA7
30	Bush seal		KL41AAH
32	Support tungsten bush SVN		KL16AAF
*33	Diffuser tungsten bush	KL05AC7	From 46SV5, included
35	Sleeve ring	168601900	For 11-12 STages Double Sleeve Pumps
	Diffuser box empty	152801960	33-46SV 2-4 pole

\* Recommended spare parts - Parti di ricambio consigliate

\* Pièces détachées conseillées - Empfohlene Ersatzteile

\*\* Motor spare parts: see motor lists - Parti di ricambio motore: vedi liste motore

\*\* Pièces détachées Moteur : voir listes moteur - Motor-Ersatzteile: gem. Motorlisten

## 66SVP 2 Pole (66SVP/D: motors IE3 fitted)

ELP 2 P, 3 ~								
N - Version	66SV2/2AP	66SV2P	66SV4P	66SV5P	66SV6/1AP	66SV7/1AP	66SV8/2AP	66SV8P
T(IE2) ->	101574036	101574056	101574116	101574146	101574166	101574196	101574216	101574236
T(IE3) ->	101684036	101684056	101684116	101684146	101684166	101684196	101684216	101684236
Motor power kW >	7.5	11.0	22.0	30.0	30.0	37.0	45.0	45.0

### Single Unit and Kit

Stages >		2	4	5	6	7	8
10	Sleeve PN40	156408760	156408780	156408790	156408800	156408810	156408820
11	Shaft	165045790	165045810	165045820	165045830	165045840	165045850
31	Tie rods kit SVN	KL22ABD	KL22ABF	KL22AAX	KL22ABG	KL22ABH	KL22ABK

### Motor, Coupling, Motor Adaptor

**1	kW >	7.5	11.0	22.0	30.0	37.0	45.0
	Mot.2P,3~, IE2 >	50017VB00	50019VE00	50026VE00	107242100	107242200	107242300
	Mot.2P,3~, IE3 >	50A17VB00	50A19VE00	50A26VE00	107242600	107242700	107242800
2	Adaptor	161453640	161453660	161453660	161453680	161453680	161453700
23	Lifting bracket	161441050	161441060	161441060	161441070	161441070	161441070
26	Coupling	KL10AAC	KL10AAD	KL10AAE	KL10AAF	KL10AAF	KL10AAF
27	Coupling guard	KL33AAB	KL33AAC	KL33AAC	KL33AAC	KL33AAC	KL33AAC

### Wear parts, pump body drum (piston), impeller halt, impeller locking

		->66SV2	->66SV3	->66SV6	->66SV8
		1 bearing no drum	1 bearing drum	2 bearing drum	3 bearing drum
*34	Wear Parts kit	KL35ABL	KL35ABY	KL35ABM	KL35ABP
14	Pump body PN25	151302120	151302120	151302120	151302120
28	Drum	EPDM	-	KL41AAC	KL41AAC
		FPM	-	KL41AAF	KL41AAF
		FEP - FPM	-	KL41AAU	KL41AAU
29	Impeller locking	KL41AAG	-	-	-

### Mech seal D2 + OR

*20	Materials ->	Q1BEGG	KL01AC0
		Q1Q1EGG	KL01AC1
		Q1BVGG	KL01AC2
		Q1Q1VGG	KL01AC3
		Q1CTGG	KL01AC5
		Q1Q1TGG	KL01AC6

### Common, Single Unit and Kit

4	Plugs	EPDM	KL34AAF	
		FPM	KL34AAG	
		FEP -FPM	KL34AAH	
5	Seal housing plate	160102850		
6	Upper head	161440040		
7	Spring	169100210		
*8	Reduced impeller A	150702840		
*9	Full impeller	150702760		
15	Diffuser carbon bush	152801820		
16	Last stage diffuser	152801750		
*21	OR	EPDM	KL02AAC	
		FPM	KL02AAF	
		FEP-FPM	KL02AA9	
30	Bush seal	KL41AAH		
32	Support tungsten bush SVN	KL16AAG		
*33	Diffuser tungsten bush	KL05AC8	From 66SV4, included	

\* Pièces détachées conseillées - Empfohlene Ersatzteile

\*\* Motor spare parts: see motor lists - Parti di ricambio motore: vedi liste motore

\*\* Pièces détachées Moteur : voir listes moteur - Motor-Ersatzteile: gem. Motorlisten

3392SV\_P\_5\_June11\_EdA

## 92SVP 2 Pole (92SVP/D: motors IE3 fitted)

ELP 2 P, 3 ~					
N - Version	92SV4/2AP	92SV4P	92SV5P	92SV6P	92SV7/2AP
T(IE2) ~>	101576076	101576086	101576106	101576126	101576136
T(IE3) ~>	101686076	101686086	101686106	101686126	101686136
Motor power kW >	30.0	30.0	37.0	45.0	45.0

### Single Unit and Kit

Stages >		4	5	6	7
10	Sleeve, PN40	156408780	156408790	156408800	156408810
11	Shaft	165045810	165045820	165045830	165045840
31	Tie rods kit SVN	KL22ABF	KL22AAX	KL22ABG	KL22ABH

### Motor, Coupling, Motor Adaptor

**1	kW ->	30.0	37.0	45.0
	Mot.2P,3~, IE2 >	107242100	107242200	107242300
	Mot.2P,3~, IE3 >	107242600	107242700	107242800
2	Adaptor	161453680	161453680	161453700
23	Lifting bracket	161441070	161441070	161441070
26	Coupling	KL10AAF	KL10AAF	KL10AAF
27	Coupling guard	KL33AAC	KL33AAC	KL33AAC

### Wear parts, pump body drum, impeller stop, impeller locking

		->92SV4	->92SV7
		2 bearing drum	3 bearing drum
*34	Wear parts Kit	KL35ABT	KL35ABV
14	Pump body PN25	151302120	151302120
28	Drum	EPDM	KL41AAC
		FPM	KL41AAF
		FEP	KL41AAU
29	Impeller locking	-	-

### Mech seal D2 + OR

*20	Materials ->	Q1BEGG	KL01AC0
		Q1Q1EGG	KL01AC1
		Q1BVG	KL01AC2
		Q1Q1VGG	KL01AC3
		Q1CTGG	KL01AC5
		Q1Q1TGG	KL01AC6

### Common, Single Unit and Kit

4	Plugs	EPDM	KL34AAF
		FPM	KL34AAG
		FEP	KL34AAH
5	Seal housing plate	160102850	
6	Upper head	161440040	
7	Spring	169100210	
*8	Reduced impeller A	150702850	
*9	Full impeller	150702770	
15	Diffuser carbon bush	152801830	
16	Last stage diffuser	152801750	
*21	OR	EPDM	KL02AAC
		FPM	KL02AAF
		FEP	KL02AA9
30	Bush seal	KL41AAH	
32	Support tungsten bush SVN	KL16AAH	
*33	Diffuser tungsten bush	KL05AC9	From 92SV4, included

\* Recommended spare parts - Parti di ricambio consigliate

\* Pièces détachées conseillées - Empfohlene Ersatzteile

\*\* Motor spare parts: see motor lists - Parti di ricambio motore: vedi liste motore

\*\* Pièces détachées Moteur : voir listes moteur - Motor-Ersatzteile: gem. Motorlisten

3392SV\_P\_5\_June11\_EdA