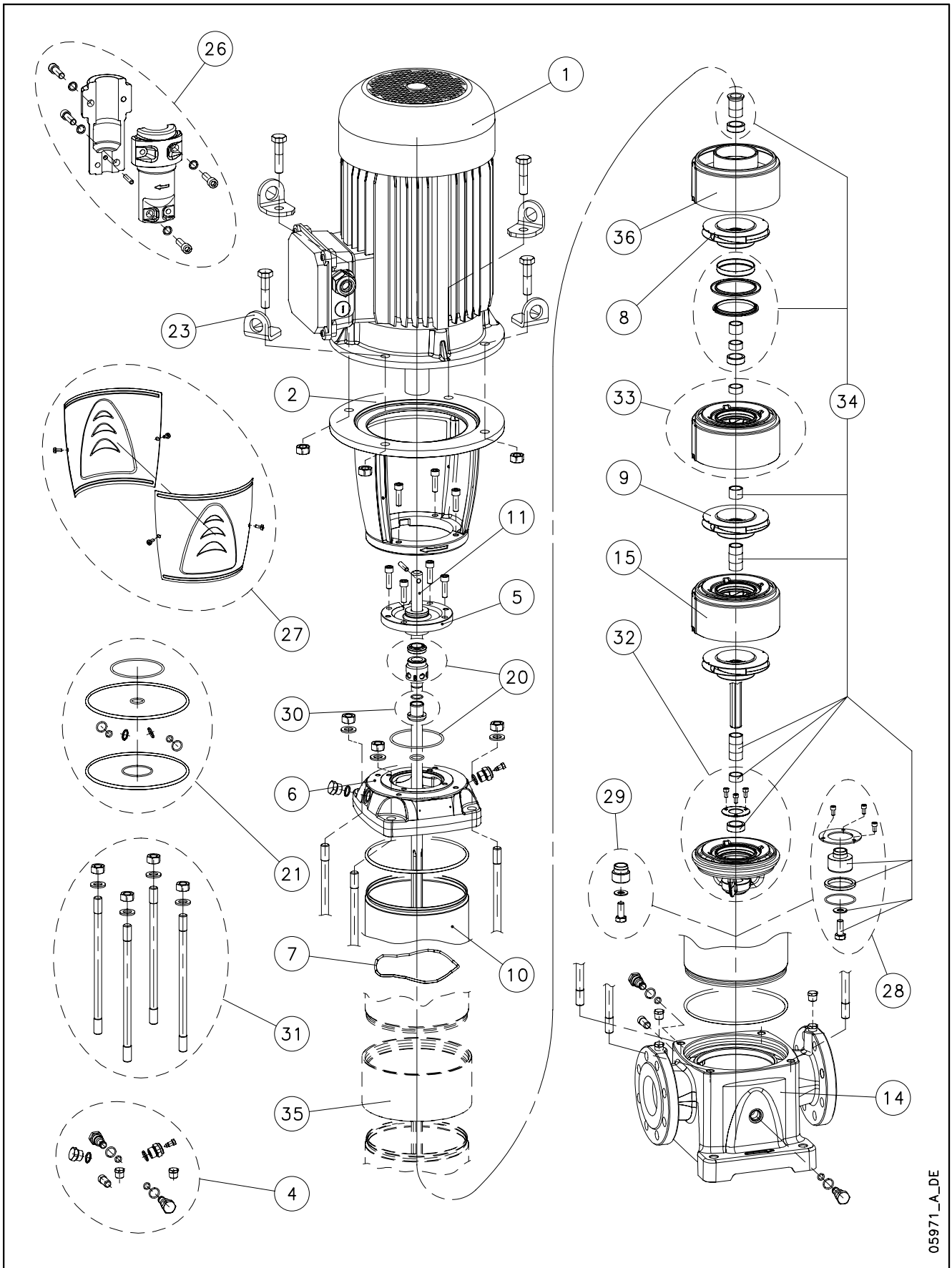


33, 46, 66, 92 SV..H (150°C)



05971_A_DE

Lowara, Flygt and Vogel Pumpen are trademarks of Xylem Inc. or one of its subsidiaries. Goulds is a registered trademark of Goulds Pumps, Inc. and is used under license.

N.	Descrizione It	Description en	Description fr	Beschreibung de	Descripción es	Descrição pt
	33-92SV..H (150 °C)					
1	Motore	Motor	Moteur	Motor	Motor	Motor
2	Lanterna	Adaptor	Lanterne	Motorlaterne	Adaptador	Adaptador
4	Tappi	Plugs	Bouchons	Stopfen	Tapones	Tampões
5	Disco porta tenuta	Seal housing plate	Disque de support garniture	Dichtungsdeckel	Disco de alojamiento sello	Disco porta-vedante
6	Testata superiore	Upper head	Tête supérieure	Oberer kopf	Cabezal superior	Cabeça superior
7	Molla	Spring	Ressort	Feder	Muelle	Mola
8	Girante ridotta	Reduced impeller	Roue réduite	Lauftrad, reduzierter Durchmesser	Rodete, reducido	Impulsor reduzido
9	Girante piena	Full impeller	Roue pleine	Lauftrad, voller Durchmesser	Rodete, completo	Impulsor completo
10	Camicia	Sleeve	Chemise	Gehäuse	Camisa	Camisa
11	Albero	Shaft	Arbre	Welle	Árbol	Veio
14	Corpo pompa	Pump body	Corps de pompe	Pumpengehäuse	Caja bomba	Corpo da bomba
15	Diffusore boccola carbone	Diffuser carbon bush	Diffuseur douille carbone	Diffusor und Büchse, Kohle	Difusor casquillo carbón	Difusor bucha carvão
20	Kit tenuta mecc. + OR	Mechanical seal + OR kit	Kit garniture mec. + joints toriques	Gleitringdichtung + O-Ring [Satz]	Kit sello mec. + junta tórica	Kit vedante mec. + OR
21	Kit guarnizioni OR	O ring kit	Kit joints toriques	Dichtungssatz	Kit juntas tóricas	Kit guarnições OR
23	Anello sollevamento	Lifting ring	Anneau de levage	Huböse	Anillo de elevación	Anel de suspensão
26	Kit coppia di semigiunti	Pair of half coupling kit	Kit paire de demi-manchons	Kupplung [Satz]	Kit par de semijuntas	Kit par de semi-juntas
27	Kit protezione giunto	Coupling guard kit	Kit protection manchon	Kupplungsschutz [Satz]	Kit protección junta	Kit protecção junta
28	Kit tamburo reggispinta	Thrust drum kit	Kit tambour butée	Drucklagerscheibe [Satz]	Kit tambor de empuje	Kit tambor de impulso
29	Kit bloccaggio giranti	Impeller locking kit	Kit blocage roues	Lauftrad Halt [Satz]	Kit bloqueo rodetes	Kit bloqueio impulsores
30	Kit bussola tenuta	Bush seal kit	Kit douille garniture	ringdichtungssarretierung und mitneh	Kit casquillo sello	kit bucha vedante
31	Kit tiranti	Tie rods kit	Kit tirants	Zugstangen [Satz]	Kit tirantes	Kit tirantes
32	Kit supporto boccola Widia	Support tungsten bush kit	Kit support douille Widia	Widia Halterung [Satz]	Kit soporte casquillo Widia	Kit suporte com tungstênio bucha
33	Kit diffusore boccola Widia	Diffuser tungsten bush kit	Kit diffuseur douille Widia	Diffusor mit Widia Büchse [Satz]	Kit difusor casquillo Widia	Kit difusor com tungstênio bucha
34	Kit parti di usura	Wear parts kit	Kit parties d'usure	Verschleißteile [Satz]	Kit piezas de desgaste	Kit peças desgastáveis
35	Anello per camicie	Sleeve ring	Anneau pour chemises	Ringhülse	Anillo para camisas	Anel para camisas
36	Diffusore finale HT	Final diffuser HT	Diffuseur dernier étage HT	Enddiffusor HT	Difusor final HT	Difusor final HT
HT	Alta Temperatura	High Temperature	Haute Température	Hochtemperatur	Altas Temperaturas	Temperatura Elevada
N.	Beschrijving nl	Περιγραφή el	Açıklama tr	Kuvau s fi	Описание ru	Opis pl
	33-92SV..H (150 °C)					
1	Motor	Πλήρης κινητήρας	Motor	Moottori	Двигатель	Silnik
2	Lantaarnstuk	Μπρακέτο	Adaptör	Sovitin	Крестовина	Piasta
4	Pluggen	Σετ ταπών	Tapalar	Tulpat	Пробки	Zatyczki
5	Dichtingssteunplaat	Δίσκος μηχανικού στυπιοθλίπτη	Sızdırmazlık elemanı diski	Tiivisteen kannatuslevy	Пластина держателя прокладки	Tarcza uszczelki
6	Bovenste kop	Κεφαλή αντλίας	Üst kafa	Yläkansi	Верхняя головка	Głowica górna
7	Veer	Έλασμα	Yay	Jousi	Пружина	Sprężyna
8	Waaier met verkleinde diameter	Πτερύγιο μειωμένης διαμέτρου	Küçük boyulu pompa rotoru	Pieni juoksupyörä	Уменьшенное рабочее колесо	Wirnik niepełny
9	Volle waaier	Πτερύγιο πλήρους διαμέτρου	Tam boyulu pompa rotoru	Täydellinen juoksupyörä	Полное рабочее колесо	Wirnik pełny
10	Mantel	Κέλυφος	Gömlék	Muhvi	Муфта	Plaszcz
11	As	Άξονας	Mil	Akseli	Вал	Wał
14	Pomphuis	Σώμα αντλίας	Pompa gövdesi	Pumpun runko	Корпус насоса	Korpus pompy
15	Diffusor koollager	Πτερύγιο εκτροπής με κουζινέτο	Karbon burçlu difüzör	Diffuusori ja hiiliholkki	Диффузор втулки угля	Dyfuzor tulejki węgla
20	Set mech. asafdichting + O-ring	Μηχανικός στυπιοθλίπτης και ροδέλες στεγανοποίησης	Mekanik salmastra kiti + O-Ring	Mek. tiiviste + O-rengassarja	Комплект мех.прокладки + OR	Zestaw uszcz.mech. + OR
21	Set O-ringafdichtingen	Σετ ροδέλες στεγανοποίησης	O-Ring kiti	O-rengassarja	Комплект кольцевых прокладок OR	Zestaw uszczcelek OR
23	Hijs ring	Άρση δακτυλίδι	Cihaz kaldırma	Nostorengas	Подъемные кольца	Pierścień podnoszenia
26	Set koppelingshelften	Σετ σταθερού συνδέσμου	Çift yarım manşon kiti	Liitinsarja	Комплект пары полумуфт	Zestaw pary półzłączy
27	Set koppelingsbescherming	Καλύμματα προστασίας σταθερού συνδέσμου	Manşon koruma kiti	Liitoksen suojuussarja	Комплект защиты муфт	Zestaw ochronny złącza
28	Set druklagertrommel	Σετ ωστικού εμβόλου	Basınç yatağı tambur kiti	Rumpusarja	Комплект упорного барабана	Testaw bębna łożyska oporowego
29	Set afdichtingsbus	Σετ ασφάλισης περυγιών	Pompa rotorlarını sabitleme kiti	Juoksupyörien kiinnitysarja	Комплект блокировки раб. колес	Zestaw blokujący wirniki
30	Set afdichtingsbus	Σετ κουζινέτου μηχανικού στυπιοθλίπτη	Sızdırmazlık elemanı burcu kiti	Holkki ja tiiviste	Комплект втулки уплотнения	Zestaw busoli uszczel.
31	Set trekstangen	Σετ ράβδων σύνδεσης	Gergi çubuğu kiti	Vetotankosarja	Комплект тяг	Zestaw napinaczy
32	Set Widia steunbus	Σετ κάτω κουζινέτου	Tungsten burç mesnedi kiti	Kannatin ja kovametalliholkki	Комплект опоры втулки Widia	Zestaw wspornika tulejki Wolfram
33	Set Widia diffusorbus	Σετ περυγιού εκτροπής με κουζινέτο και δακτύλιο τριβής	Tungsten burçlu difüzör kiti	Diffuusori ja kovametalliholkki	Комплект диффузора втулки Widia	Zestaw dyfusora tulejki Wolfram
34	Set slijtonderdelen	Σετ δακτυλίων τριβής	Aşınma parçaları kiti	Kulumisiosien sarja	Комплект изнашиваемых частей	Zestaw części podł. zużyciu
35	Ring voor mantels	Σύνδεσμος κελύφων	Gömlék halkası	Muhvirengas	Кольцо муфты	Pierścień do płaszczy
36	Diffusor laatste trap HT	Τελευταίο πτερύγιο εκτροπής HT	Son difüzör HT	Loppuvaiheen diffusori HT	Конечный диффузор HT	Dyfuzor końcowy HT
HT	Hoge Temperaturen	Υψηλής θερμοκρασίας	Yüksek isi	Korkea lämpötila	Высокая температура	Wysokiej Temperatury

33SVNH 2 Pole (33SVNH/D: motors IE3 fitted)

ELP 2 P, 3 ~										
N - Version	33SV1/1ANH	33SV1NH	33SV2/2ANH	33SV2/1ANH	33SV2NH	33SV3/2ANH	33SV3/1ANH	33SV3NH	33SV4/2ANH	33SV4/1ANH
T(IE2) ->	10157A00J	10157A01J	10157003J	10157004J	10157005J	10157006J	10157007J	10157008J	10157009J	10157010J
	10157001J	10157002J	10157003J	10157004J	10157005J	10157006J	10157007J	10157008J	10157009J	10157010J
T(IE3) ->	10168001J	10168002J	10168003J	10168004J	10168005J	10168006J	10168007J	10168008J	10168009J	10168010J
	33SV4NH	33SV5/2ANH	33SV5/1ANH	33SV5NH	33SV6/2ANH	33SV6/1ANH	33SV6NH	33SV7/2ANH	33SV7/1ANH	33SV7NH
T(IE2) ->	10157011J	10157012J	10157013J	10157014J	10157015J	10157016J	10157017J	10157018J	10157019J	10157020J
T(IE3) ->	10168011J	10168012J	10168013J	10168014J	10168015J	10168016J	10168017J	10168018J	10168019J	10168020J
	33SV8/2ANH	33SV8/1ANH	33SV8NH	33SV9/2ANH	33SV9/1ANH	33SV9NH				
T(IE2) ->	10157021J	10157022J	10157023J	10157024J	10157025J	10157026J				
T(IE3) ->	10168021J	10168022J	10168023J	10168024J	10168025J	10168026J				
Motor power	2,2	3,0	4,0	4,0	5,5	5,5	7,5	7,5	7,5	11,0
kW >	11,0	11,0	11,0	15,0	15,0	15,0	15,0	15,0	18,5	18,5
	18,5	18,5	22,0	22,0	22,0	22,0				

Single Unit and Kit

Stages >	1	2	3	4	5	6	7	8	9
10 Sleeve PN25	166441880	166441890	166441900	166441910	166441920	166441930	166441940	166441950	166441960
Sleeve PN40	156408600	156408610	156408620	156408630	156408640	156408650	156408660	156408670	156408680
11 Shaft	165045620	165045630	165045640	165045650	165045660	165045670	165045680	165045690	165045700
31 Tie rods kit SVN	KL22AAS	KL22AAT	KL22AAU	KL22AAV	KL22AAW	KL22AAX	KL22AAY	KL22AAZ	KL22AA0

Motor, Coupling, Adaptor

**1	kW >	2,2	3,0	4,0	5,5	7,5	11,0	15,0	18,5	22,0
Mot.2P,3~, IE2 >		107240500	107241000	50008VG00	50013VE00	50017VB00	50019VE00	50024VB00	50025VB00	50026VE00
		50001RD00	50002RF00	50008VG00	50013VE00	50017VB00	50019VE00	50024VB00	50025VB00	50026VE00
Mot.2P,3~, IE3 >		50A01RD00	50A02RF00	50A08VL00	50A13VE00	50A17VB00	50A19VE00	50A24VB00	50A25VB00	50A26VE00
2 Adaptor		161453600	161453620	161453620	161453640	161453640	161453660	161453660	161453660	161453660
23 Lifting bracket		-	-	-	161441050	161441050	161441060	161441060	161441060	161441060
26 Coupling		KL10AAA	KL10AAB	KL10AAB	KL10AAC	KL10AAC	KL10AAD	KL10AAD	KL10AAD	KL10AAE
27 Coupling guard		KL33AAA	KL33AAA	KL33AAA	KL33AAB	KL33AAB	KL33AAC	KL33AAC	KL33AAC	KL33AAC

Wear parts, pump body

	->33SV4	->33SV5	->33SV9
drum, impeller stop,	1 bearing	2 bearing	2 bearing
impeller locking	no drum	no drum	drum
* 34 Wear Parts Kit	KL35AA9	KL35ABA	KL35ABB
14 Pump body PN25-40	151302020	151302020	151302020
28 Drum EPDM HT	-	-	KL41AA9
29 Impeller locking	KL41AAG	KL41AAG	-

Mech seal D22 + OR

*20	Materials ->	Q1AEGG	KL01AEW	STD -> Q1AEGG - OR EPDM HT
		Q1AVGG	KL01AEX	
		Q1Q1VGG	KL01AC3	

Common, Single Unit and Kit

4 Plugs	EPDM HT	KL34AAAY	
5 Seal housing plate		160102850	
6 Upper head		161440020	
7 Spring		169100190	
*8 Reduced impeller A		150702820	
*9 Full impeller		150702740	
15 Diffuser carbon bush		152801800	
*21 OR	EPDM HT	KL02AB7	1-2 Sleeve With Elastomers for Drum Pumps 33-46SV
30 Bush seal EPDMHT		KL41AA8	
32 Support tungsten bush SVN		KL16AAE	
*33 Diffuser tungsten bush		KL05AC6	From 33SV4, included
35 Sleeve ring		-	
36 Final diffuser		152803382	316 SS

* Recommended spare parts - Parti di ricambio consigliate

* Pièces détachées conseillées - Empfohlene Ersatzteile

** Motor spare parts: see motor lists - Parti di ricambio motore: vedi liste motore

** Pièces détachées Moteur : voir listes moteur - Motor-Ersatzteile: gem. Motorlisten

3392SV_NH_5_June12_EdB

46SVNH 2 Pole (46SVNH/D: motors IE3 fitted)

ELP 2 P, 3 ~										
N - Version	46SV1/1ANH	46SV1NH	46SV2/2ANH	46SV2NH	46SV3/2ANH	46SV3NH	46SV4/2ANH	46SV4NH	46SV5/2ANH	46SV5NH
T(IE2) ->	10157A02J	10157202J	10157203J	10157204J	10157205J	10157206J	10157207J	10157208J	10157209J	10157210J
	10157201J	10157202J	10157203J	10157204J	10157205J	10157206J	10157207J	10157208J	10157209J	10157210J
T(IE3) ->	10168201J	10168202J	10168203J	10168204J	10168205J	10168206J	10168207J	10168208J	10168209J	10168210J
	46SV6/2ANH	46SV6NH	46SV7/2ANH	46SV7NH	46SV8/2ANH	46SV8NH	46SV9/2ANH	46SV9NH		
T(IE2) ->	10157211J	10157212J	10157213J	10157214J	10157215J	10157216J	10157217J	10157218J		
T(IE3) ->	10168211J	10168212J	10168213J	10168214J	10168215J	10168216J	10168217J	10168218J		
Motor power	3.0	4.0	5.5	7.5	11.0	11.0	15.0	15.0	18.5	18.5
kW >	22.0	22.0	30.0	30.0	30.0	30.0	30.0	37.0		

Single Unit and Kit

Stages >	1	2	3	4	5	6	7	8	9
10 Sleeve , PN25	166441880	166441890	166441900	166441910	166441920	166441930	166441940	166441950	166441960
Sleeve , PN40	156408600	156408610	156408620	156408630	156408640	156408650	156408660	156408670	156408680
11 Shaft	165045620	165045630	165045640	165045650	165045660	165045670	165045680	165045690	165045700
31 Tie rods kit SVN	KL22AAS	KL22AAT	KL22AAU	KL22AAV	KL22AAW	KL22AAX	KL22AAY	KL22AAZ	KL22AA0

Motor, Coupling, Adaptor

**4 Motor power >	3.0	4.0	5.5	7.5	11.0	15.0	18.5	22.0	30.0	37.0
Mot.2P,3~, IE2 >	50002RF00	50008VG00	50013VE00	50017VB00	50019VE00	50024VB00	50025VB00	50026VE00	107242100	107242200
Mot.2P,3~, IE3 >	50A02RF00	50A08VL00	50A13VE00	50A17VB00	50A19VE00	50A24VB00	50A25VB00	50A26VE00	107242600	107242700
2 Adaptor	161453620	161453620	161453640	161453640	161453660	161453660	161453660	161453660	161453680	161453680
23 Lifting bracket	-	-	161441050	161441050	161441060	161441060	161441060	161441060	161441070	161441070
26 Coupling	KL10AAB	KL10AAB	KL10AAC	KL10AAC	KL10AAD	KL10AAD	KL10AAD	KL10AAE	KL10AAF	KL10AAF
27 Coupling guard	KL33AAA	KL33AAA	KL33AAB	KL33AAB	KL33AAC	KL33AAC	KL33AAC	KL33AAC	KL33AAC	KL33AAC

Wear parts, pump body

	->46SV3	->46SV4	->46SV9
drum, impeller stop, impeller locking	1 bearing no drum	1 bearing drum	2 bearing drum
*34 Wear Parts Kit	KL35ABE	KL35ABX	KL35ABG
14 Pump body PN16-40	151302060	151302060	151302060
28 Drum EPDM HT	-	KL41ABA	KL41ABA
29 Impeller locking	KL41AAG	-	-

Mech seal D22 + OR

*20	Materials ->	Q1AEGG	KL01AEW	STD -> Q1AEGG - OR EPDM HT
		Q1AVGG	KL01AEX	
		Q1Q1VGG	KL01AC3	

Common, Single Unit and Kit

4 Plugs	EPDM HT	KL34AAY	
5 Seal housing plate		160102850	
6 Upper head		161440020	
7 Spring		169100190	
*8 Reduced impeller A		150702830	
*9 Full impeller		150702750	
15 Diffuser carbon bush		152801810	
*21 OR	EPDM HT	KL02AB7	1-2 Sleeve With Elastomers for Drum Pumps 33-46SV
30 Bush seal EPDM HT		KL41AA8	
32 Support tungsten bush SVN		KL16AAF	
*33 Diffuser tungsten bush		KL05AC7	From 46SV5, included
35 Sleeve ring		-	
36 Final diffuser		152803382	316 SS

* Recommended spare parts - Parti di ricambio consigliate

* Pièces détachées conseillées - Empfohlene Ersatzteile

** Motor spare parts: see motor lists - Parti di ricambio motore: vedi liste motore

** Pièces détachées Moteur : voir listes moteur - Motor-Ersatzteile: gem. Motorlisten

3392SV_NH_5_June12_EdB

92SVNH 2 Pole (92SVNH/D: motors IE3 fitted)

ELP 2 P, 3 ~		66SV1/1ANH	66SV1NH	66SV2/2ANH	66SV2/1ANH	66SV2NH	66SV3/2ANH	66SV3/1ANH	66SV3NH	66SV4/2ANH	66SV4/1ANH
N - Version	T (IE2) ->	10157401J	10157402J	10157403J	10157404J	10157405J	10157406J	10157407J	10157408J	10157409J	10157410J
	T (IE3) ->	10168401J	10168402J	10168403J	10168404J	10168405J	10168406J	10168407J	10168408J	10168409J	10168410J
		66SV4NH	66SV5/2ANH	66SV5/1ANH	66SV5NH	66SV6/2ANH	66SV6/1ANH	66SV6NH	66SV7/2ANH	66SV7/1ANH	66SV7NH
	T (IE2) ->	10157411J	10157412J	10157413J	10157414J	10157415J	10157416J	10157417J	10157418J	10157419J	10157420J
	T (IE3) ->	10168411J	10168412J	10168413J	10168414J	10168415J	10168416J	10168417J	10168418J	10168419J	10168420J
Motor power		4.0	5.5	7.5	11.0	11.0	15.0	15.0	18.5	18.5	22.0
	kw >	22.0	30.0	30.0	30.0	30.0	30.0	37.0	37.0	37.0	45.0

Single Unit and Kit

10	Stages >	1	2	3	4	5	6	7
10	Sleeve PN25	166442080	166442090	166442100	166442110	166442120	166442130	166442140
	Sleeve PN40	156408750	156408760	156408770	156408780	156408790	156408800	156408810
11	Shaft	165045780	165045790	165045800	165045810	165045820	165045830	165045840
31	Tie rods kit SVN	KL22ABC	KL22ABD	KL22ABE	KL22ABF	KL22AAX	KL22ABG	KL22ABH

Motor, Coupling, Motor Adaptor

**1	kw >	4.0	5.5	7.5	11.0	15.0	18.5	22.0	30.0	37.0	45.0
	Mot.2P,3~, IE2 >	50008VG00	50013VE00	50017VB00	50019VE00	50024VB00	50025VB00	50026VE00	107242100	107242200	107242300
	Mot.2P,3~, IE3 >	50A08VL00	50A13VE00	50A17VB00	50A19VE00	50A24VB00	50A25VB00	50A26VE00	107242600	107242700	107242800
2	Adaptor	161453620	161453640	161453660	161453660	161453660	161453660	161453660	161453680	161453680	161453700
23	Lifting bracket	-	161441050	161441050	161441060	161441060	161441060	161441060	161441070	161441070	161441070
26	Coupling	KL10AAB	KL10AAC	KL10AAC	KL10AAD	KL10AAD	KL10AAD	KL10AAE	KL10AAF	KL10AAF	KL10AAF
27	Coupling guard	KL33AAA	KL33AAB	KL33AAB	KL33AAC	KL33AAC	KL33AAC	KL33AAC	KL33AAC	KL33AAC	KL33AAC

Wear parts, pump body drum (piston), impeller halt, impeller locking

		->66SV2	->66SV3	->66SV6	->66SV7
		1 bearing no drum	1 bearing drum	2 bearing drum	3 bearing drum
*34	Wear Parts kit	KL35ABL	KL35ABY	KL35ABM	KL35ABP
14	Pump body PN25	151302120	151302120	151302120	151302120
28	Drum EPDM HT	-	KL41ABB	KL41ABB	KL41ABB
29	Impeller locking	KL41AAG	-	-	-

Mechanical seal D22 + OR

*20	Materials ->	Q1AEGG	KL01AEW	STD -> Q1AEGG - OR EPDM HT
		Q1AVGG	KL01AEX	
		Q1Q1VGG	KL01AC3	

Common, Single Unit and Kit

4	Plugs	EPDM HT	KL34AAY	
5	Seal housing plate		160102850	
6	Upper head		161440040	
7	Spring		169100210	
*8	Reduced impeller A		150702840	
*9	Full impeller		150702760	
15	Diffuser carbon bush		152801820	
*21	OR	EPDM HT	KL02AB8	
30	Bush seal EPDM HT		KL41AA8	
32	Support tungsten bush SVN		KL16AAG	
*33	Diffuser tungsten bush		KL05AC8	From 66SV4, included
36	Final diffuser		152803392	316 SS

* Recommended spare parts - Parti di ricambio consigliate

* Pièces détachées conseillées - Empfohlene Ersatzteile

** Motor spare parts: see motor lists - Parti di ricambio motore: vedi liste motore

** Pièces détachées Moteur : voir listes moteur - Motor-Ersatzteile: gem. Motorlisten

92SVNH 2 Pole

Production date > June12

ELP 2 P, 3 ~										
N - Version	92SV1/1ANH	92SV1NH	92SV2/2ANH	92SV2NH	92SV3/2ANH	92SV3NH	92SV4/2ANH	92SV4NH	92SV5/2ANH	92SV5NH
T(IE2) ~>	10157601J	10157602J	10157603J	10157604J	10157605J	10157606J	10157607J	10157608J	10157609J	10157610J
T(IE3) ~>	10168601J	10168602J	10168603J	10168604J	10168605J	10168606J	10168607J	10168608J	10168609J	10168610J
	92SV6/2ANH	92SV6NH	92SV7/2ANH							
T(IE2) ~>	10157611J	10157612J	10157613J							
T(IE3) ~>	10168611J	10168612J	10168613J							
Motor power	5.5	7.5	11.0	15.0	18.5	22.0	30.0	30.0	37.0	37.0
kW >	45.0	45.0	45.0							

Single Unit and Kit

10	Stages >	1	2	3	4	5	6	7
10	Sleeve, PN25	166442080	166442090	166442100	166442110	166442120	166442130	166442140
	Sleeve, PN40	156408750	156408760	156408770	156408780	156408790	156408800	156408810
11	Shaft	165045780	165045790	165045800	165045810	165045820	165045830	165045840
31	Tie rods kit SVN	KL22ABC	KL22ABD	KL22ABE	KL22ABF	KL22AAX	KL22ABG	KL22ABH

Motor, Coupling, Motor Adaptor

**1	kW ->	5.5	7.5	11.0	15.0	18.5	22.0	30.0	37.0	45.0
	Mot.2P,3-, IE2 >	50013VE00	50017VB00	50019VE00	50024VB00	50025VB00	50026VE00	107242100	107242200	107242300
	Mot.2P,3-, IE3 >	50A13VE00	50A17VB00	50A19VE00	50A24VB00	50A25VB00	50A26VE00	107242600	107242700	107242800
2	Adaptor	161453640	161453640	161453660	161453660	161453660	161453660	161453680	161453700	161453700
23	Lifting bracket	161441050	161441050	161441060	161441060	161441060	161441060	161441070	161441070	161441070
26	Coupling	KL10AAC	KL10AAC	KL10AAD	KL10AAD	KL10AAD	KL10AAE	KL10AAF	KL10AAF	KL10AAF
27	Coupling guard	KL33AAB	KL33AAB	KL33AAC	KL33AAC	KL33AAC	KL33AAC	KL33AAC	KL33AAC	KL33AAC

Wear parts, pump body drum, impeller stop, impeller locking

		->92SV2	->92SV3	->92SV6	->92SV8
		1 bearing no drum	1 bearing drum	2 bearing drum	3 bearing drum
*34	Wear parts Kit	KL35ABR	KL35ABZ	KL35ABT	KL35ABV
14	Pump body PN25-40	151302120	151302120	151302120	151302120
28	Drum EPDM HT	-	KL41ABB	KL41ABB	KL41ABB
29	Impeller locking	KL41AAG	-	-	-

Mechanical seal D22 + OR

*20	Materials ->	Q1AEGG	KL01AEW	STD -> Q1AEGG - OR EPDM HT
		Q1AVGG	KL01AEX	
		Q1Q1VGG	KL01AC3	

Common, Single Unit and Kit

4	Plugs	EPDM HT	KL34AAY	
5	Seal housing plate		160102850	
6	Upper head		161440040	
7	Spring		169100210	
*8	Reduced impeller A		150702850	
*9	Full impeller		150702770	
15	Diffuser carbon bush		152801830	
*21	OR	EPDM HT	KL02AB8	
30	Bush seal EPDM HT		KL41AA8	
32	Support tungsten bush SVN		KL16AAH	
*33	Diffuser tungsten bush		KL05AC9	From 92SV4, included
36	Final diffuser		152803392	316 SS

* Recommended spare parts - Parti di ricambio consigliate

* Pièces détachées conseillées - Empfohlene Ersatzteile

** Motor spare parts: see motor lists - Parti di ricambio motore: vedi liste motore

** Pièces détachées Moteur : voir listes moteur - Motor-Ersatzteile: gem. Motorlisten

3392SV_NH_5_June12_EdB