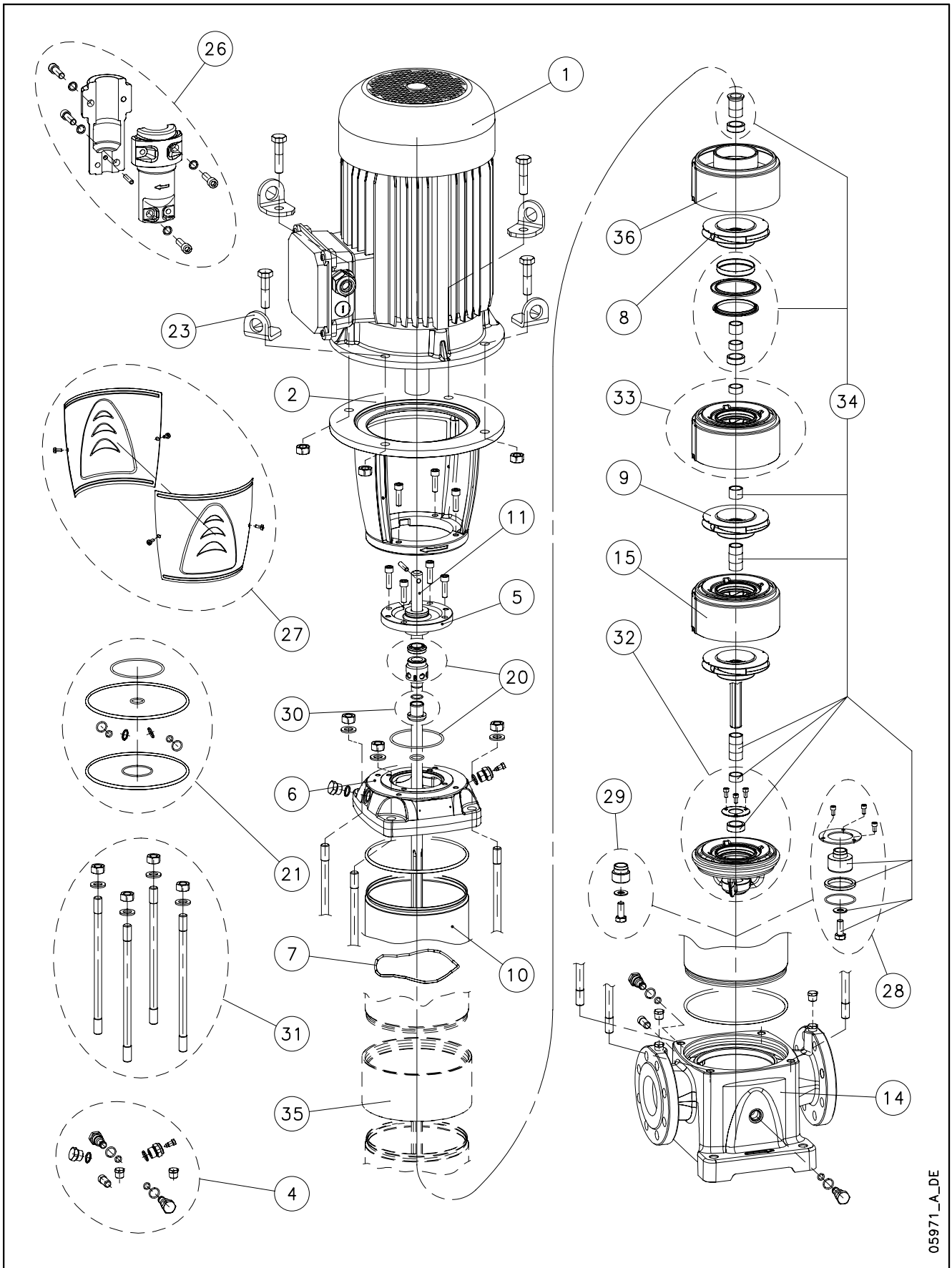


## 33, 46, 66, 92 SV..H (150°C)



05971\_A\_DE

Lowara, Flygt and Vogel Pumpen are trademarks of Xylem Inc. or one of its subsidiaries. Goulds is a registered trademark of Goulds Pumps, Inc. and is used under license.

N.	Descrizione It	Description en	Description fr	Beschreibung de	Descripción es	Descrição pt
	33-92SV..H (150 °C)					
1	Motore	Motor	Moteur	Motor	Motor	Motor
2	Lanterna	Adaptor	Lanterne	Motorlaterne	Adaptador	Adaptador
4	Tappi	Plugs	Bouchons	Stopfen	Tapones	Tapões
5	Disco porta tenuta	Seal housing plate	Disque de support garniture	Dichtungsdeckel	Disco de alojamiento sello	Disco porta-vedante
6	Testata superiore	Upper head	Tête supérieure	Oberer kopf	Cabezal superior	Cabeça superior
7	Molla	Spring	Ressort	Feder	Muelle	Mola
8	Girante ridotta	Reduced impeller	Roue réduite	Lauftrad, reduzierter Durchmesser	Rodete, reducido	Impulsor reduzido
9	Girante piena	Full impeller	Roue pleine	Lauftrad, voller Durchmesser	Rodete, completo	Impulsor completo
10	Camicia	Sleeve	Chemise	Gehäuse	Camisa	Camisa
11	Albero	Shaft	Arbre	Welle	Árbol	Veio
14	Corpo pompa	Pump body	Corps de pompe	Pumpengehäuse	Caja bomba	Corpo da bomba
15	Diffusore boccola carbone	Diffuser carbon bush	Diffuseur douille carbone	Diffusor und Büchse, Kohle	Difusor casquillo carbón	Difusor bucha carvão
20	Kit tenuta mecc. + OR	Mechanical seal + OR kit	Kit garniture mec. + joints toriques	Gleitringdichtung + O-Ring [Satz]	Kit sello mec. + junta tórica	Kit vedante mec. + OR
21	Kit guarnizioni OR	O ring kit	Kit joints toriques	Dichtungssatz	Kit juntas tóricas	Kit guarnições OR
23	Anello sollevamento	Lifting ring	Anneau de levage	Huböse	Anillo de elevación	Anel de suspensão
26	Kit coppia di semigiunti	Pair of half coupling kit	Kit paire de demi-manchons	Kupplung [Satz]	Kit par de semijuntas	Kit par de semi-juntas
27	Kit protezione giunto	Coupling guard kit	Kit protection manchon	Kupplungsschutz [Satz]	Kit protección junta	Kit protecção junta
28	Kit tamburo reggispinta	Thrust drum kit	Kit tambour butée	Drucklagerscheibe [Satz]	Kit tambor de empuje	Kit tambor de impulso
29	Kit bloccaggio giranti	Impeller locking kit	Kit blocage roues	Lauftrad Halt [Satz]	Kit bloqueo rodetes	Kit bloqueio impulsores
30	Kit bussola tenuta	Bush seal kit	Kit douille garniture	ringdichtungssarretierung und mitneh	Kit casquillo sello	kit bucha vedante
31	Kit tiranti	Tie rods kit	Kit tirants	Zugstangen [Satz]	Kit tirantes	Kit tirantes
32	Kit supporto boccola Widia	Support tungsten bush kit	Kit support douille Widia	Widia Halterung [Satz]	Kit soporte casquillo Widia	Kit suporte com tungstênio bucha
33	Kit diffusore boccola Widia	Diffuser tungsten bush kit	Kit diffuseur douille Widia	Diffusor mit Widia Büchse [Satz]	Kit difusor casquillo Widia	Kit difusor com tungstênio bucha
34	Kit parti di usura	Wear parts kit	Kit parties d'usure	Verschleißteile [Satz]	Kit piezas de desgaste	Kit peças desgastáveis
35	Anello per camicie	Sleeve ring	Anneau pour chemises	Ringhülse	Anillo para camisas	Anel para camisas
36	Diffusore finale HT	Final diffuser HT	Diffuseur dernier étage HT	Enddiffusor HT	Difusor final HT	Difusor final HT
HT	Alta Temperatura	High Temperature	Haute Température	Hochtemperatur	Altas Temperaturas	Temperatura Elevada
N.	Beschrijving nl	Περιγραφή el	Açıklama tr	Kuvaus fi	Описание ru	Opis pl
	33-92SV..H (150 °C)					
1	Motor	Πλήρης κινητήρας	Motor	Moottori	Двигатель	Silnik
2	Lantaarnstuk	Μπρακέτο	Adaptör	Sovitin	Крестовина	Piasta
4	Pluggen	Σετ ταπών	Tapalar	Tulpat	Пробки	Zatyczki
5	Dichtingssteunplaat	Δίσκος μηχανικού στυπιοθλίπτη	Sızdırmazlık elemanı diski	Tiivisteenn kannatuslevy	Пластина держателя прокладки	Tarcza uszczelki
6	Bovenste kop	Κεφαλή αντλίας	Üst kafa	Yläkansi	Верхняя головка	Głowica górna
7	Veer	Έλασμα	Yay	Jousi	Пружина	Sprężyna
8	Waaier met verkleinde diameter	Πτερύγιο μειωμένης διαμέτρου	Küçük boyulu pompa rotoru	Pieni juoksupyörä	Уменьшенное рабочее колесо	Wirnik niepełny
9	Volle waaier	Πτερύγιο πλήρους διαμέτρου	Tam boyulu pompa rotoru	Täydellinen juoksupyörä	Полное рабочее колесо	Wirnik pełny
10	Mantel	Κέλυφος	Gömlük	Muhvi	Муфта	Plaszcz
11	As	Άξονας	Mil	Akseli	Вал	Wał
14	Pomphuis	Σώμα αντλίας	Pompa gövdesi	Pumpun runko	Корпус насоса	Korpus pompy
15	Diffusor koollager	Πτερύγιο εκτροπής με κουζινέτο	Karbon burçlu difüzör	Diffuusori ja hiiliholkki	Диффузор втулки угля	Dyfuzor tulejki węgla
20	Set mech. asafdichting + O-ring	Μηχανικός στυπιοθλίπτης και ροδέλες στεγανοποίησης	Mekanik salmastra kiti + O-Ring	Mek. tiiviste + O-rengassarja	Комплект мех.прокладки + OR	Zestaw uszcz.mech. + OR
21	Set O-ringafdichtingen	Σετ ροδέλες στεγανοποίησης	O-Ring kiti	O-rengassarja	Комплект кольцевых прокладок OR	Zestaw uszczcelek OR
23	Hijs ring	Άρση δακτυλίδι	Cihaz kaldırma	Nostorengas	Подъемные кольца	Pierścienie podnoszenia
26	Set koppelingshelften	Σετ σταθερού συνδέσμου	Çift yarım manşon kiti	Liitinsarja	Комплект пары полумуфт	Zestaw pary półzłączy
27	Set koppelingsbescherming	Καλύμματα προστασίας σταθερού συνδέσμου	Manşon koruma kiti	Liitoksen suojuussarja	Комплект защиты муфт	Zestaw ochronny złączy
28	Set druklagertrommel	Σετ ωστικού εμβόλου	Basınç yatağı tambur kiti	Rumpusarja	Комплект упорного барабана	Testaw bębna łożyska oporowego
29	Set afdichtingsbus	Σετ ασφάλισης περυγίων	Pompa rotorlarını sabitleme kiti	Juoksupyörien kiinnitysarja	Комплект блокировки раб. колес	Zestaw blokujący wirniki
30	Set afdichtingsbus	Σετ κουζινέτου μηχανικού στυπιοθλίπτη	Sızdırmazlık elemanı burcu kiti	Holkki ja tiiviste	Комплект втулки уплотнения	Zestaw busoli uszczel.
31	Set trekstangen	Σετ ράβδων σύνδεσης	Gergi çubuğu kiti	Vetotankosarja	Комплект тяг	Zestaw napinaczy
32	Set Widia steunbus	Σετ κάτω κουζινέτου	Tungsten burç mesnedi kiti	Kannatin ja kovametalliholkki	Комплект опоры втулки Widia	Zestaw wspornika tulejki Wolfram
33	Set Widia diffusorbus	Σετ περυγίου εκτροπής με κουζινέτο και δακτύλιο τριβής	Tungsten burçlu difüzör kiti	Diffuusori ja kovametalliholkki	Комплект диффузора втулки Widia	Zestaw dyfuzora tulejki Wolfram
34	Set slijtonderdelen	Σετ δακτυλίων τριβής	Aşınma parçaları kiti	Kulumisiosien sarja	Комплект изнашиваемых частей	Zestaw części podl. zużyciu
35	Ring voor mantels	Σύνδεσμος κελύφων	Gömlük halkası	Muhvirengas	Кольцо муфты	Pierścień do płaszczy
36	Diffusor laatste trap HT	Τελευταίο πτερύγιο εκτροπής HT	Son difüzör HT	Loppuvaiheen diffusori HT	Конечный диффузор HT	Dyfuzor końcowy HT
HT	Hoge Temperaturen	Υψηλής θερμοκρασίας	Yüksek isi	Korkea lämpötila	Высокая температура	Wysokiej Temperatury

Production date > June12

## 33SVGH 2 Pole (33SVGH/D: motors IE3 fitted)

ELP 2 P, 3 -										
G - Version	33SV1/1AGH	33SV1GH	33SV2/2AGH	33SV2/1AGH	33SV2GH	33SV3/2AGH	33SV3/1AGH	33SV3GH	33SV4/2AGH	33SV4/1AGH
T(IE2) ->	10157A00H	10157A01H	10157003H	10157004H	10157005H	10157006H	10157007H	10157008H	10157009H	10157010H
	10157001H	10157002H	10157003H	10157004H	10157005H	10157006H	10157007H	10157008H	10157009H	10157010H
T(IE3) ->	10168001H	10168002H	10168003H	10168004H	10168005H	10168006H	10168007H	10168008H	10168009H	10168010H
	<b>33SV4GH</b>	<b>33SV5/2AGH</b>	<b>33SV5/1AGH</b>	<b>33SV5GH</b>	<b>33SV6/2AGH</b>	<b>33SV6/1AGH</b>	<b>33SV6GH</b>	<b>33SV7/2AGH</b>	<b>33SV7/1AGH</b>	<b>33SV7GH</b>
T(IE2) ->	10157011H	10157012H	10157013H	10157014H	10157015H	10157016H	10157017H	10157018H	10157019H	10157020H
T(IE3) ->	10168011H	10168012H	10168013H	10168014H	10168015H	10168016H	10168017H	10168018H	10168019H	10168020H
	<b>33SV8/2AGH</b>	<b>33SV8/1AGH</b>	<b>33SV8GH</b>	<b>33SV9/2AGH</b>	<b>33SV9/1AGH</b>	<b>33SV9GH</b>	<b>33SV12GH</b>			
T(IE2) ->	10157021H	10157022H	10157023H	10157024H	10157025H	10157026H	10157035H			
T(IE3) ->	10168021H	10168022H	10168023H	10168024H	10168025H	10168026H	10168035H			
<b>Motor power</b>	<b>2,2</b>	<b>3,0</b>	<b>4,0</b>	<b>4,0</b>	<b>5,5</b>	<b>5,5</b>	<b>7,5</b>	<b>7,5</b>	<b>7,5</b>	<b>11,0</b>
<b>kW &gt;</b>	<b>11,0</b>	<b>11,0</b>	<b>11,0</b>	<b>15,0</b>	<b>15,0</b>	<b>15,0</b>	<b>15,0</b>	<b>15,0</b>	<b>18,5</b>	<b>18,5</b>
	18,5	18,5	22,0	22,0	22,0	22,0	30,0			

### Single Unit and Kit

Stages >	1	2	3	4	5	6	7	8	9	12
10 Sleeve STD PN25	166441881	166441891	166441901	166441911	166441921	166441931	166441941	166441951	166441961	
Sleeve OPT PN40	156408600	156408610	156408620	156408630	156408640	156408650	156408660	156408670	156408680	KL13AAB
11 Shaft	165045621	165045631	165045641	165045651	165045661	165045671	165045681	165045691	165045701	165045731
31 Tie rods kit SVG	KL22AAC	KL22AAD	KL22AAE	KL22AAF	KL22AAG	KL22AAH	KL22AAK	KL22AAL	KL22AAM	KL22AAQ

### Motor, Coupling, Adaptor

**1 kW >	2,2	3,0	4,0	5,5	7,5	11,0	15,0	18,5	22,0	30,0
Motor 2P, 1 ->										
Mot.2P,3-, IE2 >	<b>107240500</b>	107241000	<b>50008VG00</b>	50013VE00	<b>50017VB00</b>	50019VE00	<b>50024VB00</b>	50025VB00	<b>50026VE00</b>	107242100
	<b>50001RD00</b>	50002RF00	<b>50008VG00</b>	50013VE00	<b>50017VB00</b>	50019VE00	<b>50024VB00</b>	50025VB00	<b>50026VE00</b>	107242100
Mot.2P,3-, IE3 >	50A01RD00	50A02RF00	50A08VL00	50A13VE00	50A17VB00	50A19VE00	50A24VB00	50A25VB00	50A26VE00	107242600
2 Adaptor	161453600	161453620	161453620	161453640	161453640	161453660	161453660	161453660	161453660	161453680
23 Lifting bracket	-	-	-	161441050	161441050	161441060	161441060	161441060	161441060	161441070
26 Coupling	KL10AAA	KL10AAB	KL10AAB	KL10AAC	KL10AAC	KL10AAD	KL10AAD	KL10AAD	KL10AAE	KL10AAF
27 Coupling guard	KL33AAA	KL33AAA	KL33AAA	KL33AAB	KL33AAB	KL33AAC	KL33AAC	KL33AAC	KL33AAC	KL33AAC

### Wear parts, pump body

	- >33SV4	- >33SV5	- >33SV9	- >33SV13
drum, impeller stop,	1 bearing	2 bearing	2 bearing	3 bearing
impeller locking	no drum	no drum	drum	drum
* 34 <b>Wear Parts Kit</b>	KL35AA9	KL35ABA	KL35ABB	KL35ABD
14 Pump body PN25-40	151351020	151351020	151351020	151351020
28 <b>Drum</b> EPDM HT	-	-	KL41AA9	KL41AA9
29 Impeller locking	KL41AAG	KL41AAG	-	-

### Mech seal D22 + OR

*20	Materials ->	Q1AEGG	KL01AEW	STD -> Q1AEGG - OR EPDM HT
		Q1AVGG	KL01AEX	
		Q1Q1VGG	KL01AC3	

### Common, Single Unit and Kit

4 Plugs	EPDM HT	KL34AAAY	
5 Seal housing plate		160150260	
6 Upper head		161453740	
7 Spring		169100190	
*8 Reduced impeller A		150702820	
*9 Full impeller		150702740	
15 Diffuser carbon bush		152801801	304 SS
*21 OR	EPDM HT	KL02AB7	1-2 Sleeve With Elastomers for Drum Pumps 33-46SV
30 Bush seal EPDM HT		KL41AA8	
32 Support tungsten bush SVG		KL16AAA	
*33 Diffuser tungsten bush		KL05AC6	From 33SV4, incl.
35 Sleeve ring		168601900	
36 Final diffuser		152803382	316 SS

\* Recommended spare parts - Parti di ricambio consigliate

\* Pièces détachées conseillées - Empfohlene Ersatzteile

\*\* Motor spare parts: see motor lists - Parti di ricambio motore: vedi liste motore

\*\* Pièces détachées Moteur : voir listes moteur - Motor-Ersatzteile: gem. Motorlisten

3392SV\_GH\_5\_June12\_EdC

## 46SVGH 2 Pole (46SVGH/D: motors IE3 fitted)

ELP 2 P, 3 ~		46SV1/1AGH	46SV1GH	46SV2/2AGH	46SV2GH	46SV3/2AGH	46SV3GH	46SV4/2AGH	46SV4GH	46SV5/2AGH	46SV5GH
G - Version	T(IE2) ->	10157A02H	10157202H	10157203H	10157204H	10157205H	10157206H	10157207H	10157208H	10157209H	10157210H
		10157201H	10157202H	10157203H	10157204H	10157205H	10157206H	10157207H	10157208H	10157209H	10157210H
T(IE3) ->		10168201H	10168202H	10168203H	10168204H	10168205H	10168206H	10168207H	10168208H	10168209H	10168210H
		<b>46SV6/2AGH</b>	<b>46SV6GH</b>	<b>46SV7/2AGH</b>	<b>46SV7GH</b>	<b>46SV8/2AGH</b>	<b>46SV8GH</b>	<b>46SV9/2AGH</b>	<b>46SV9GH</b>		
T(IE2) ->		10157211H	10157212H	10157213H	10157214H	10157215H	10157216H	10157217H	10157218H		
T(IE3) ->		10168211H	10168212H	10168213H	10168214H	10168215H	10168216H	10168217H	10168218H		
<b>Motor power</b>		<b>3.0</b>	<b>4.0</b>	<b>5.5</b>	<b>7.5</b>	<b>11.0</b>	<b>11.0</b>	<b>15.0</b>	<b>15.0</b>	<b>18.5</b>	<b>18.5</b>
kW >		22.0	22.0	30.0	30.0	30.0	30.0	30.0	37.0		

### Single Unit and Kit

Stages >	1	2	3	4	5	6	7	8	9
10 Sleeve STD PN2	166441881	166441891	166441901	166441911	166441921	166441931	166441941	166441951	166441961
Sleeve OPT PN2	156408600	156408610	156408620	156408630	156408640	156408650	156408660	156408670	156408680
11 Shaft	165045621	165045631	165045641	165045651	165045661	165045671	165045681	165045691	165045701
31 Tie rods kit SVG	KL22AAC	KL22AAD	KL22AAE	KL22AAF	KL22AAG	KL22AAH	KL22AAK	KL22AAL	KL22AAM

### Motor, Coupling, Adaptor

**1	kW >	3.0	4.0	5.5	7.5	11.0	15.0	18.5	22.0	30.0	37.0
Mot.2P,3~, IE2 >		<b>107241000</b>	50008VG00	<b>50013VE00</b>	50017VB00	<b>50019VE00</b>	50024VB00	<b>50025VB00</b>	50026VE00	<b>107242100</b>	107242200
		<b>50002RF00</b>	50008VG00	<b>50013VE00</b>	50017VB00	<b>50019VE00</b>	50024VB00	<b>50025VB00</b>	50026VE00	<b>107242100</b>	107242200
Mot.2P,3~, IE3 >		50A02RF00	50A08VL00	50A13VE00	50A17VB00	50A19VE00	50A24VB00	50A25VB00	50A26VE00	107242600	107242700
2 Adaptor		161453620	161453620	161453640	161453640	161453660	161453660	161453660	161453660	161453680	161453680
23 Lifting bracket		-	-	161441050	161441050	161441060	161441060	161441060	161441060	161441070	161441070
26 Coupling		KL10AAB	KL10AAB	KL10AAC	KL10AAC	KL10AAD	KL10AAD	KL10AAE	KL10AAE	KL10AAF	KL10AAF
27 Coupling guard		KL33AAA	KL33AAA	KL33AAB	KL33AAB	KL33AAC	KL33AAC	KL33AAC	KL33AAC	KL33AAC	KL33AAC

Wear parts, pump body drum, impeller stop, impeller locking	->46SV3	->46SV4	->46SV9
	1 bearing no drum	1 bearing drum	2 bearing drum
*34 Wear Parts Kit	KL35ABE	KL35ABX	KL35ABG
14 Pump body PN16-40	151351040	151351060	151351060
28 Drum EPDM HT	-	KL41ABA	KL41ABA
29 Impeller locking	KL41AAG	-	-

### Mech seal D22 + OR

*20	Materials ->	Q1AEGG	KL01AEW	STD -> Q1AEGG - OR EPDM HT
		Q1AVGG	KL01AEX	
		Q1Q1VGG	KL01AC3	

### Common, Single Unit and Kit

4	Plugs	EPDM HT	KL34AAAY	
5	Seal housing plate		160150260	
6	Upper head		161453740	
7	Spring		169100190	
*8	Reduced impeller A		150702830	
*9	Full impeller		150702750	
15	Diffuser carbon bush		152801811	304 SS
*21	OR	EPDM HT	KL02AB7	1-2 Sleeve With Elastomers for Drum Pumps 33-46SV
30	Bush seal EPDM HT		KL41AA8	
32	Support tungsten bush SVG		KL16AA8	
*33	Diffuser tungsten bush		KL05AC7	From 46SV5, included
35	Sleeve ring		-	
36	Final diffuser		152803382	316 SS

\* Recommended spare parts - Parti di ricambio consigliate

\* Pièces détachées conseillées - Empfohlene Ersatzteile

\*\* Motor spare parts: see motor lists - Parti di ricambio motore: vedi liste motore

3392SV\_GH\_5\_June12\_EdC

## 66SVGH 2 Pole (66SVGH/D: motors IE3 fitted)

ELP 2 P, 3 -										
G - Version	66SV1/1AGH	66SV1GH	66SV2/2AGH	66SV2/1AGH	66SV2GH	66SV3/2AGH	66SV3/1AGH	66SV3GH	66SV4/2AGH	66SV4/1AGH
T(IE2) ->	10157401H	10157402H	10157403H	10157404H	10157405H	10157406H	10157407H	10157408H	10157409H	10157410H
T(IE3) ->	10168401H	10168402H	10168403H	10168404H	10168405H	10168406H	10168407H	10168408H	10168409H	10168410H
	<b>66SV4GH</b>	<b>66SV5/2AGH</b>	<b>66SV5/1AGH</b>	<b>66SV5GH</b>	<b>66SV6/2AGH</b>	<b>66SV6/1AGH</b>	<b>66SV6GH</b>	<b>66SV7/2AGH</b>	<b>66SV7/1AGH</b>	<b>66SV7GH</b>
T(IE2) ->	10157411H	10157412H	10157413H	10157414H	10157415H	10157416H	10157417H	10157418H	10157419H	10157420H
T(IE3) ->	10168411H	10168412H	10168413H	10168414H	10168415H	10168416H	10168417H	10168418H	10168419H	10168420H
<b>Motor power</b>	<b>4.0</b>	<b>5.5</b>	<b>7.5</b>	<b>11.0</b>	<b>11.0</b>	<b>15.0</b>	<b>15.0</b>	<b>18.5</b>	<b>18.5</b>	<b>22.0</b>
<b>kW &gt;</b>	<b>22.0</b>	<b>30.0</b>	<b>30.0</b>	<b>30.0</b>	<b>30.0</b>	<b>30.0</b>	<b>37.0</b>	<b>37.0</b>	<b>37.0</b>	<b>45.0</b>

### Single Unit and Kit

Stages >		1	2	3	4	5	6	7
10	Sleeve STD PN	166442081	166442091	166442101	166442111	166442121	166442131	166442141
	Sleeve OPT PN	156408750	156408760	156408770	156408780	156408790	156408800	156408810
11	Shaft	165045781	165045791	165045801	165045811	165045821	165045831	165045841
31	Tie rods kit SVG	KL22AA5	KL22AA6	KL22AA7	KL22AA8	KL22AAH	KL22AA9	KL22ABA

### Motor, Coupling, Motor Adaptor

**1	kW >	4.0	5.5	7.5	11.0	15.0	18.5	22.0	30.0	37.0	45.0
	Mot.2P,3-, IE2 >	<b>50008VG00</b>	50013VE00	<b>50017VB00</b>	50019VE00	<b>50024VB00</b>	50025VB00	<b>50026VE00</b>	107242100	<b>107242200</b>	107242300
	Mot.2P,3-, IE3 >	50A08VL00	50A13VE00	50A17VB00	50A19VE00	50A24VB00	50A25VB00	50A26VE00	107242600	107242700	107242800
2	Adaptor	161453620	161453640	161453660	161453660	161453660	161453660	161453660	161453680	161453680	161453700
23	Lifting bracket	-	161441050	161441050	161441060	161441060	161441060	161441060	161441070	161441070	161441070
26	Coupling	KL10AAB	KL10AAC	KL10AAC	KL10AAD	KL10AAD	KL10AAD	KL10AAE	KL10AAF	KL10AAF	KL10AAF
27	Coupling guard	KL33AAA	KL33AAB	KL33AAB	KL33AAC	KL33AAC	KL33AAC	KL33AAC	KL33AAC	KL33AAC	KL33AAC

### Wear parts, pump body drum,impeller stop, impeller locking

		->66SV2	->66SV3	->66SV6	->66SV7
		1 bearing no drum	1 bearing drum	2 bearing drum	3 bearing drum
*34	<b>Wear Parts kit</b>	KL35ABL	KL35ABY	KL35ABN	KL35ABQ
14	Pump body PN 25	151351130	151351130	151351130	151351130
28	<b>Drum</b> EPDM HT	-	KL41ABB	KL41ABB	KL41ABB
29	Impeller locking	KL41AAG	-	-	-

### Mechanical seal D22 + OR

*20	Materials ->	Q1AEGG	KL01AEW	STD -> Q1AEGG - OR EPDM HT
		Q1AVGG	KL01AEX	
		Q1Q1VGG	KL01AC3	

### Common, Single Unit and Kit

4	Plugs	EPDM HT	KL34AAY	
5	Seal housing plate		160150260	
6	Upper head		161453760	
7	Spring		169100210	
*8	Reduced impeller		150702840	
*9	Full impeller		150702760	
15	Diffuser carbon bush		152801821	304 SS
*21	OR	EPDM HT	KL02AB8	
30	Bush seal EPDM HT		KL41AA8	
32	Support tungsten bush SVG		KL16AAC	
*33	Diffuser tungsten bush		KL05AC8	From 66SV4, included
36	Final diffuser		152803392	316 SS

\* Recommended spare parts - Parti di ricambio consigliate

\* Pièces détachées conseillées - Empfohlene Ersatzteile

\*\* Motor spare parts: see motor lists - Parti di ricambio motore: vedi liste motore

\*\* Pièces détachées Moteur : voir listes moteur - Motor-Ersatzteile: gem. Motorlisten

## 92SVGH 2 Pole

Production date > June12

ELP 2 P, 3 ~										
<b>G - Version</b>	<b>92SV1/1AGH</b>	<b>92SV1GH</b>	<b>92SV2/2AGH</b>	<b>92SV2GH</b>	<b>92SV3/2AGH</b>	<b>92SV3GH</b>	<b>92SV4/2AGH</b>	<b>92SV4GH</b>	<b>92SV5/2AGH</b>	<b>92SV5GH</b>
T(IE2) ~ >	10157601H	10157602H	10157603H	10157604H	10157605H	10157606H	10157607H	10157608H	10157609H	10157610H
T(IE3) ~ >	10168601H	10168602H	10168603H	10168604H	10168605H	10168606H	10168607H	10168608H	10168609H	10168610H
	<b>92SV6/2AGH</b>	<b>92SV6GH</b>	<b>92SV7/2AGH</b>							
T(IE2) ~ >	10157611H	10157612H	10157613H							
T(IE3) ~ >	10168611H	10168612H	10168613H							
<b>Motor power</b>	<b>5.5</b>	<b>7.5</b>	<b>11.0</b>	<b>15.0</b>	<b>18.5</b>	<b>22.0</b>	<b>30.0</b>	<b>30.0</b>	<b>37.0</b>	<b>37.0</b>
kW >	<b>45.0</b>	<b>45.0</b>	<b>45.0</b>							

### Single Unit and Kit

Stages >		1	2	3	4	5	6	7
10	Sleeve STD PN2	166442081	166442091	166442101	166442111	166442121	166442131	166442141
	Sleeve OPT PN4	156408750	156408760	156408770	156408780	156408790	156408800	156408810
11	Shaft	165045781	165045791	165045801	165045811	165045821	165045831	165045841
31	Tie rods kit SVG	KL22AA5	KL22AA6	KL22AA7	KL22AA8	KL22AAH	KL22AA9	KL22ABA

**1	kW ->	5.5	7.5	11.0	15.0	18.5	22.0	30.0	37.0	45.0
	Mot.2P,3-, IE2 >	<b>50013VE00</b>	50017VB00	<b>50019VE00</b>	50024VB00	<b>50025VB00</b>	50026VE00	<b>107242100</b>	107242200	<b>107242300</b>
	Mot.2P,3-, IE3 >	50A13VE00	50A17VB00	50A19VE00	50A24VB00	50A25VB00	50A26VE00	107242600	107242700	107242800
2	Adaptor	161453640	161453640	161453660	161453660	161453660	161453660	161453680	161453680	161453700
23	Lifting bracket	161441050	161441050	161441060	161441060	161441060	161441060	161441070	161441070	161441070
26	Coupling	KL10AAC	KL10AAC	KL10AAD	KL10AAD	KL10AAD	KL10AAE	KL10AAF	KL10AAF	KL10AAF
27	Coupling guard	KL33AAB	KL33AAB	KL33AAC	KL33AAC	KL33AAC	KL33AAC	KL33AAC	KL33AAC	KL33AAC

Wear parts, pump body drum, impeller stop, impeller locking	->92SV2	->92SV3	->92SV6	->92SV8
	1 bearing no drum	1 bearing drum	2 bearing drum	3 bearing drum
*34 <b>Wear parts Kit</b>	KL35ABR	KL35ABZ	KL35ABT	KL35ABV
14 Pump body PN25-40	151351130	151351130	151351130	151351130
28 <b>Drum</b> EPDM HT	-	KL41ABB	KL41ABB	KL41ABB
29 Impeller locking	KL41AAG	-	-	-

### Mechanical seal D22 + OR

*20	Materials ->	Q1AEGG	KL01AEW	STD -> Q1AEGG - OR EPDM HT
		Q1AVGG	KL01AEX	
		Q1Q1VGG	KL01AC3	

### Common, Single Unit and Kit

4	Plugs	EPDM HT	KL34AAY	
5	Seal housing plate		160150260	
6	Upper head		161453760	
7	Spring		169100210	
*8	Reduced impeller		150702850	
*9	Full impeller		150702770	
15	Diffuser carbon bush		152801831	304SS
*21	OR	EPDM HT	KL02AB8	
30	Bush seal EPDM HT		KL41AA8	
32	Support tungsten bush SVG		KL16AAD	
*33	Diffuser tungsten bush		KL05AC9	From 92SV4, included
36	Final diffuser		152803392	316 SS

\* Recommended spare parts - Parti di ricambio consigliate

\* Pièces détachées conseillées - Empfohlene Ersatzteile

\*\* Motor spare parts: see motor lists - Parti di ricambio motore: vedi liste motore

\*\* Pièces détachées Moteur : voir listes moteur - Motor-Ersatzteile: gem. Motorlisten

3392SV\_GH\_5\_June12\_EdC