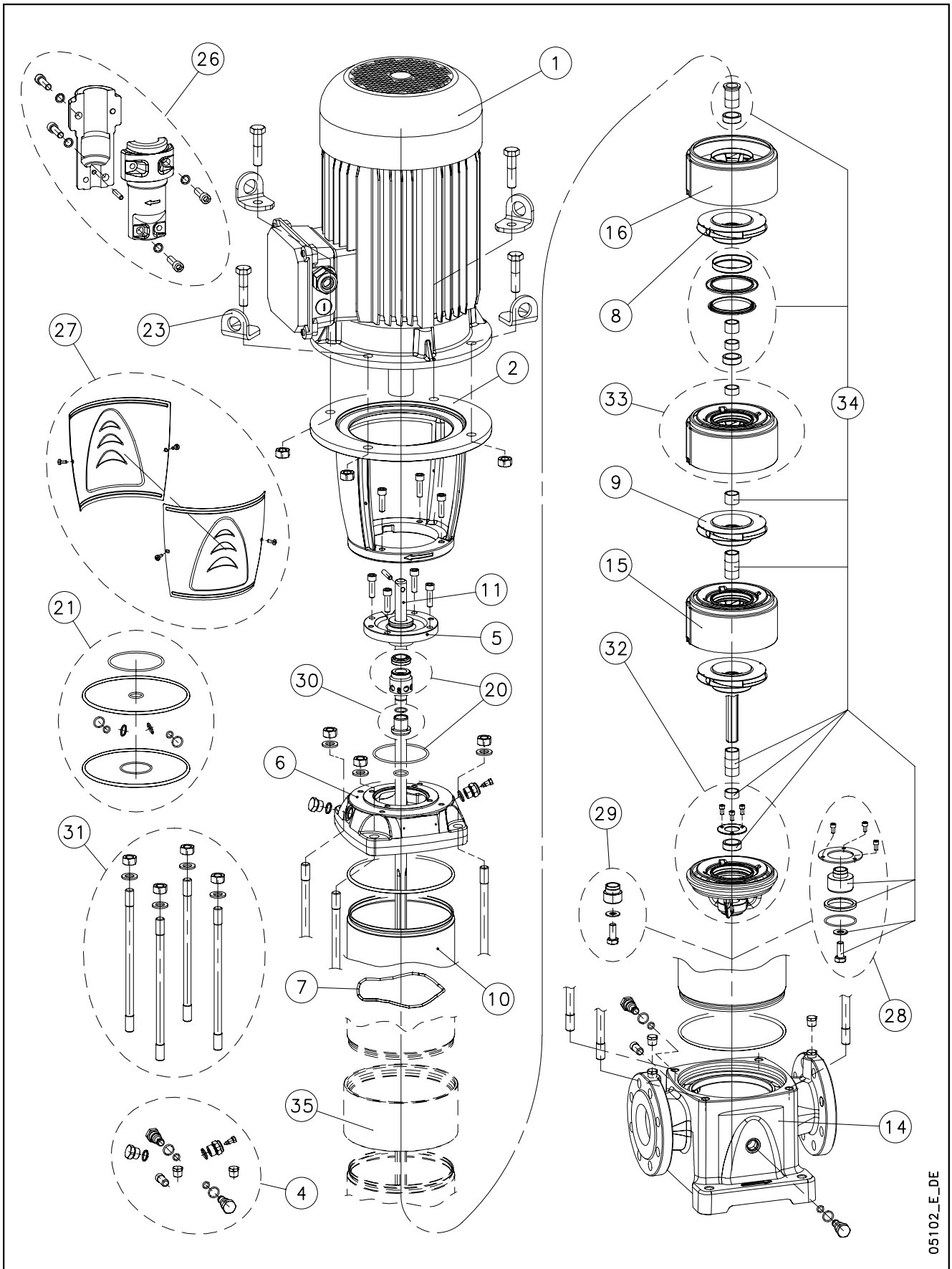


33, 46, 66, 92 SV



05102_E_DE

Lowara, Flygt and Vogel Pumpen are a trademark of Xylem Inc. or one of its subsidiaries. Goulds is a registered trademark of Goulds Pumps, Inc. and is used under license.

N.	Descrizione It	Description en	Description fr	Beschreibung de	Descripción es	Descrição pt
1	Motore	Motor	Moteur	Motor	Motor	Motor
2	Lanterna	Adaptor	Lanterne	Motorlanterne	Adaptador	Adaptador
4	Tappi	Plugs	Bouchons	Stopfen	Tapones	Tampões
5	Disco porta tenuta	Seal housing plate	Disque de support garniture	Dichtungsdeckel	Disco de alojamiento sello	Disco porta-vedante
6	Testata superiore	Upper head	Tête supérieure	Oberer kopf	Cabezal superior	Cabeça superior
7	Molla	Spring	Ressort	Feder	Muelle	Mola
8	Girante ridotta	Reduced impeller	Roue réduite	Laufrad, reduzierter Durchmesser	Rodete, reducido	Impulsor reduzido
9	Girante piena	Full impeller	Roue pleine	Laufrad, voller Durchmesser	Rodete, completo	Impulsor completo
10	Camicia	Sleeve	Chemise	Gehäuse	Camisa	Camisa
11	Albero	Shaft	Arbre	Welle	Árbol	Veio
14	Corpo pompa	Pump body	Corps de pompe	Pumpengehäuse	Caja bomba	Corpo da bomba
15	Diffusore boccola carbone	Diffuser carbon bush	Diffuseur douille carbone	Diffusor und Büchse, Kohle	Difusor casquillo carbón	Difusor bucha carvão
16	Diffusore finale	Last stage diffuser	Diffuseur dernier étage	Enddiffusor	Difusor final	Difusor final
20	Kit tenuta mecc. + OR	Mechanical seal + OR kit	Kit garniture mec. + joints toriques	Gleitringdichtung + O-Ring [Satz]	Kit sello mec. + junta tórica	Kit vedante mec. + OR
21	Kit guarnizioni OR	O ring kit	Kit joints toriques	Dichtungssatz	Kit juntas tóricas	Kit guarnições OR
23	Anello sollevamento	Lifting ring	Anneau de levage	Huböse	Anillo de elevación	Anel de suspensão
26	Kit coppia di semigiunti	Pair of half coupling kit	Kit paire de demi-manchons	Kupplung [Satz]	Kit par de semijuntas	Kit par de semi-juntas
27	Kit protezione giunto	Coupling guard kit	Kit protection manchon	Kupplungsschutz [Satz]	Kit protección junta	Kit proteção junta
28	Kit tamburo reggipinta	Thrust drum kit	Kit tambour butée	Drucklagerscheibe [Satz]	Kit tambor de empuje	Kit tambor de impulso
29	Kit bloccaggio giranti	Impeller locking kit	Kit blocage roues	Laufrad Halt [Satz]	Kit bloqueo rodetes	Kit bloqueio impulsores
30	Kit bussola tenuta	Bush seal kit	Kit douille garniture	ringdichtungsarretierung und mitneh	Kit casquillo sello	kit bucha vedante
31	Kit tiranti	Tie rods kit	Kit tirants	Zugstangen [Satz]	Kit tirantes	Kit tirantes
32	Kit supporto boccola Widia	Support tungsten bush kit	Kit support douille Widia	Widia Halterung [Satz]	Kit soporte casquillo Widia	Kit suporte com tungstênio bucha
33	Kit diffusore boccola Widia	Diffuser tungsten bush kit	Kit diffuseur douille Widia	Diffusor mit Widia Büchse [Satz]	Kit difusor casquillo Widia	Kit difusor com tungstênio bucha
34	Kit parti di usura	Wear parts kit	Kit parties d'usure	Verschleißteile [Satz]	Kit piezas de desgaste	Kit peças desgastáveis
35	Anello per camicie	Sleeve ring	Anneau pour chemises	Ringhülse	Anillo para camisas	Anel para camisas
N.	Beschrijving nl	Περιγραφή el	Açıklama tr	Kuvau fi	Описание ru	Opis pl
1	Motor	Πλήρης κινητήρας	Motor	Moottori	Двигатель	Silnik
2	Lantaarnstuk	Μπρακέτο	Adaptör	Sovitin	Крестовина	Piasta
4	Pluggen	Σετ πατών	Tapalar	Tulpat	Пробки	Zatyczki
5	Dichtingssteunplaat	Δίσκος μηχανικού στυπιοθλίπτη	Sızdırmazlık elemanı diski	Tiivisteenn kannatuslevy	Пластина держателя прокладки	Tarcza uszczelki
6	Bovenste kop	Κεφαλή αντλίας	Üst kafa	Yläkansi	Верхняя головка	Głowica górna
7	Veer	Έλασμα	Yay	Jousi	Пружина	Sprężyna
8	Waaier met verkleinde diameter	Πτερόγιο μειωμένης διαμέτρου	Küçük boylu pompa rotoru	Pieni juoksupyörä	Уменьшенное рабочее колесо	Wirmik niepełny
9	Volle waaier	Πτερόγιο πλήρους διαμέτρου	Tam boylu pompa rotoru	Täydellinen juoksupyörä	Полное рабочее колесо	Wirmik pełny
10	Mantel	Κέλυφος	Gömlek	Muhvi	Муфта	Plaszcz
11	As	Άξονας	Mil	Akseli	Вал	Wał
14	Pomphuis	Σώμα αντλίας	Pompa gövdesi	Pumpun runko	Корпус насоса	Korpus pompy
15	Diffusor koollager	Πτερόγιο εκτροπής με κουζινέτο	Karbon burçlu difüzör	Diffusori ja hiiliholkki	Диффузор втулки угля	Dyfuzor tulejki węgla
16	Diffusor laatste trap	Τελευταίο πτερόγιο εκτροπής	Son difüzör	Loppuvaiheen diffuusori	Конечный диффузор	Dyfuzor końcowy
20	Set mech. asafdichting + O-ring	Μηχανικός στυπιοθλίπτης και ροδέλες στεγανοποίησης	Mekanik salmastra kiti + O-Ring	Mek. tiiviste + O-rengassarja	Комплект мех.прокладки + OR	Zestaw uszcz. mech. + OR
21	Set O-ringafdichtingen	Σετ ροδέλες στεγανοποίησης	O-Ring kiti	O-rengassarja	Комплект кольцевых прокладок OR	Zestaw uszczelkek OR
23	Hijs ring	Άρση δαχτυλίδι	Cihaz kaldırma	Nostorengas	Подъемные кольца	Pierścień podnoszenia
26	Set koppelingshelften	Σετ σταθερού συνδέσμου	Çift yarım manşon kiti	Liitinsarja	Комплект пары полумуфт	Zestaw pary półzłączy
27	Set koppelingsbescherming	Καλύμματα προστασίας σταθερού συνδέσμου	Manşon koruma kiti	Liitoksen suojuussarja	Комплект защиты муфт	Zestaw ochronny złącza
28	Set druklagertrommel	Σετ ωστικού εμβόλου	Basınç yatağı tambur kiti	Rumpusarja	Комплект упорного барабана	Testaw bębna łożyska oporowego
29	Set waaierblokkeringen	Σετ ασφάλισης πτερυγίων	Pompa rotorlarını sabitleme kiti	Juoksupyörien kiinnityssarja	Комплект блокировки раб. колес	Zestaw blokujący wirmiki
30	Set afdichtingsbus	Σετ κουζινέτου μηχανικού στυπιοθλίπτη	Sızdırmazlık elemanı burcu kiti	Holkki ja tiiviste	Комплект втулки уплотнения	Zestaw busoli uszczel.
31	Set trekstangen	Σετ ράβδων σύνδεσης	Gergi çubuğu kiti	Vetotankosarja	Комплект тяг	Zestaw napinaczy
32	Set Widia steunbus	Σετ κάτω κουζινέτου	Tungsten burç mesnedi kiti	Kannatin ja kovametalliholkki	Комплект опоры втулки Widia	Zestaw wspornika tulejki Wolfram
33	Set Widia diffusorbus	Σετ πτερυγίου εκτροπής με κουζινέτο και δακτύλιο τριβής	Tungsten burçlu difüzör kiti	Diffusori ja kovametalliholkki	Комплект диффузора втулки Widia	Zestaw dyfuzora tulejki Wolfram
34	Set slijtonderdelen	Σετ δακτύλιων τριβής	Aşınma parçaları kiti	Kulumisiosien sarja	Комплект изнашиваемых частей	Zestaw części podł. zużyciu
35	Ring voor mantels	Σύνδεσμος κελύφων	Gömlek halkası	Muhvirengas	Кольцо муфты	Pierścień do płaszczy

33SVNL 2 Pole (33SVNL/D: motors IE3 fitted)

ELP 2 P, 3 ~		33SV2/1ANL	33SV2NL	33SV3/2ANL	33SV3/1ANL	33SV3NL	33SV4/2ANL	33SV4/1ANL	33SV4NL	33SV5/2ANL	33SV5/1ANL
N - Version											
T(IE2) ->		10157004G	10157005G	10157006G	10157007G	10157008G	10157009G	10157010G	10157011G	10157012G	10157013G
T(IE3) ->		10168004G	10168005G	10168006G	10168007G	10168008G	10168009G	10168010G	10168011G	10168012G	10168013G
		33SV5NL	33SV6/2ANL	33SV6/1ANL	33SV6NL	33SV7/2ANL	33SV7/1ANL	33SV7NL	33SV8/2ANL	33SV8/1ANL	33SV8NL
T(IE2) ->		10157014G	10157015G	10157016G	10157017G	10157018G	10157019G	10157020G	10157021G	10157022G	10157023G
T(IE3) ->		10168014G	10168015G	10168016G	10168017G	10168018G	10168019G	10168020G	10168021G	10168022G	10168023G
		33SV9/2ANL	33SV9/1ANL	33SV9NL	33SV10/2ANL	33SV10/1ANL	33SV10NL	33SV11/2ANL	33SV11/1ANL	33SV11NL	33SV12/2ANL
T(IE2) ->		10157024G	10157025G	10157026G	10157027G	10157028G	10157029G	10157030G	10157031G	10157032G	10157033G
T(IE3) ->		10168024G	10168025G	10168026G	10168027G	10168028G	10168029G	10168030G	10168031G	10168032G	10168033G
		33SV12/1ANL	33SV12NL	33SV13/2ANL	33SV13/1ANL						
T(IE2) ->		10157034G	10157035G	10157036G	10157037G						
T(IE3) ->		10168034G	10168035G	10168036G	10168037G						
Motor power kW >		5,5	5,5	7,5	7,5	7,5	11,0	11,0	11,0	11,0	15,0
		15,0	15,0	15,0	15,0	18,5	18,5	18,5	18,5	22,0	22,0
		22,0	22,0	22,0	30,0	30,0	30,0	30,0	30,0	30,0	30,0
		30,0	30,0	30,0	37,0						

Single Unit and Kit

Stages >		2	3	4	5	6	7	8	9	10
		11	12	13						
10	Sleeve STD PN	166441890	166441900	166441910	166441920	166441930	166441940	166441950	166441960	166441970
	Sleeve STD PN	KL13AAA	KL13AAB	KL13AAC	Note. Double Sleeve Kit are without ring (pls see item 35)					
11	Shaft	165045630	165045640	165045650	165045660	165045670	165045680	165045690	165045700	165045710
		165045720	165045730	165045740						
31	Tie rods kit SVG	KL22AAT	KL22AAU	KL22AAV	KL22AAW	KL22AAX	KL22AAZ	KL22AAZ	KL22AA0	KL22AA1
		KL22AA2	KL22AA3	KL22AA4						

Motor, Coupling, Adaptor

**1	kW >	5,5	7,5	11,0	15,0	18,5	22,0	30,0	37,0
	Mot.2P,3~, IE2 >	50013VE00	50017VB00	50019VE00	50024VB00	50025VB00	50026VE00	107242100	107242200
	Mot.2P,3~, IE3 >	50A13VE00	50A17VB00	50A19VE00	50A24VB00	50A25VB00	50A26VE00	107242600	107242700
2	Adaptor	161453640	161453640	161453660	161453660	161453660	161453660	161453680	161453680
23	Lifting bracket	161441050	161441050	161441060	161441060	161441060	161441060	161441070	161441070
26	Coupling	KL10AAC	KL10AAC	KL10AAD	KL10AAD	KL10AAD	KL10AAE	KL10AAF	KL10AAF
27	Coupling guard	KL33AAB	KL33AAB	KL33AAC	KL33AAC	KL33AAC	KL33AAC	KL33AAC	KL33AAC

Wear parts, pump body

		->33SV4	->33SV5	->33SV9	->33SV13
drum, impeller stop, impeller locking		1 bearing no drum	2 bearing no drum	2 bearing drum	3 bearing drum
* 34	Wear Parts Kit	KL35AA9	KL35ABA	KL35ABB	KL35ABD
14	Pump body	PN16 PN25-40	151302000	151302000	- -
28	Drum	EPDM FPM FEP	- - -	- - -	KL41AAA KL41AAD KL41AAS
29	Impeller locking	KL41AAG	KL41AAG	-	-

Mech seal D2 + OR

*20	Materials ->	Q1BEGG	KL01AC0
		Q1Q1EGG	KL01AC1
		Q1BVGG	KL01AC2
		Q1Q1VGG	KL01AC3
		Q1CTGG	KL01AC5
		Q1Q1TGG	KL01AC6

Common, Single Unit and Kit

4	Plugs	EPDM FPM FEP	KL34AAF KL34AAG KL34AAH
5	Seal housing plate		160102850
6	Upper head		161440020
7	Spring		169100190
*8	Reduced impeller A		150702820
*9	Full impeller		150702740
	First impeller 46SV, full		150702750
15	Diffuser carbon bush		152801810
16	Last stage diffuser		152801730
*21	OR	EPDM FPM	KL02AAA KL02AAD
	OR	FEP FPM	KL02AA7 KL02AAE
	OR	FEP	KL02AA8
30	Bush seal		KL41AAH
32	Support tungsten bush SVN		KL16AAF
*33	Diffuser tungsten bush		KL05AC6
35	Sleeve ring		168601910

* Recommended spare parts - Parti di ricambio consigliate

* Pièces détachées conseillées - Empfohlene Ersatzteile

** Motor spare parts: see motor lists - Parti di ricambio motore: vedi liste motore

** Pièces détachées Moteur : voir listes moteur - Motor-Ersatzteile: gem. Motorlisten

3366SV_NL_5_June12_EdC

46SVNL 2 Pole (46SVNL/D: motors IE3 fitted)

ELP 2 P, 3 ~										
N - Version T(IE2) -> T(IE3) -> T(IE2) -> T(IE3) -> T(IE2) -> T(IE3) ->	46SV2/1ANL	46SV2NL	46SV3/2ANL	46SV3NL	46SV4/2ANL	46SV4NL	46SV5/2ANL	46SV5NL	46SV6/2ANL	46SV6NL
	10157203G	10157204G	10157205G	10157206G	10157207G	10157208G	10157209G	10157210G	10157211G	10157212G
	10168203G	10168204G	10168205G	10168206G	10168207G	10168208G	10168209G	10168210G	10168211G	10168212G
	46SV7/2ANL	46SV7NL	46SV8/2ANL	46SV8NL	46SV9/2ANL	46SV9NL	SV4610/2ANL	SV4610NL	SV4611/2ANL	SV4611NL
	10157213G	10157214G	10157215G	10157216G	10157217G	10157218G	10157219G	10157220G	10157221G	10157222G
	10168213G	10168214G	10168215G	10168216G	10168217G	10168218G	10168219G	10168220G	10168221G	10168222G
	SV4612/2ANL	SV4612NL								
	10157223G	10157224G								
	10168223G	10168224G								
	Motor power kW >	7.5 30.0	11.0 30.0	11.0 30.0	15.0 30.0	15.0 37.0	15.0 37.0	18.5 37.0	18.5 37.0	22.0 45.0

Single Unit and Kit

Stages >		2	3	4	5	6	7	8	9
10	Sleeve STD PN	166441890	166441900	166441910	166441920	166441930	166441940	166441950	166441960
	Sleeve STD PN	156408690	KL13AAA	KL13AAB	KL13AAC	Double Sleeve Kit are without ring (see item 35)			
11	Shaft	165045630	165045640	165045650	165045660	165045670	165045680	165045690	165045700
		165045710	165045720	165045730	165045740				
31	Tie rods kit SVG	KL22AAT	KL22AAU	KL22AAV	KL22AAW	KL22AAX	KL22AAY	KL22AAZ	KL22AA0
		KL22AA1	KL22AA2	KL22AA3	KL22AA4				

Motor, Coupling, Adaptor

**1	kW >	7.5	11.0	15.0	18.5	22.0	30.0	37.0	45.0
	Mot.2P,3~, IE2 >	50017VB00	50019VE00	50024VB00	50025VB00	50026VE00	107242100	107242200	107242300
	Mot.2P,3~, IE3 >	50A17VB00	50A19VE00	50A24VB00	50A25VB00	50A26VE00	107242600	107242700	107242800
2	Adaptor	161453640	161453660	161453660	161453660	161453660	161453680	161453680	161453700
23	Lifting bracket	161441050	161441060	161441060	161441060	161441060	161441070	161441070	161441070
26	Coupling	KL10AAC	KL10AAD	KL10AAD	KL10AAD	KL10AAE	KL10AAF	KL10AAF	KL10AAF
27	Coupling guard	KL33AAB	KL33AAC	KL33AAC	KL33AAC	KL33AAC	KL33AAC	KL33AAC	KL33AAC

Wear parts, pump body

		->46SV3	->46SV4	->46SV9	->46SV13
drum, impeller stop, impeller locking		1 bearing no drum	1 bearing drum	2 bearing drum	3 bearing drum
*34	Wear Parts Kit	KL35ABE	KL35ABX	KL35ABG	KL35ABK
	Impeller spacer	162503112	162503112	162503112	162503112
14	Pump body	PN16 PN16-40	151302040 -	- 151302060	- 151302060
28	Drum	EPDM FPM FEP	- - -	KL41AAB KL41AAE KL41AAT	KL41AAB KL41AAE KL41AAT
29	Impeller locking	KL41AAG	-	-	-

Mech seal D2 + OR

*20	Materials ->	Q1BEGG	KL01AC0
		Q1Q1EGG	KL01AC1
		Q1BVG	KL01AC2
		Q1Q1VGG	KL01AC3
		Q1CTGG	KL01AC5
		Q1Q1TGG	KL01AC6

Common, Single Unit and Kit

4	Plugs	EPDM FPM FEP	KL34AAF KL34AAG KL34AAH
5	Seal housing plate		160102850
6	Upper head		161440020
7	Spring		169100190
*8	Reduced impeller A		150702830
*9	Full impeller		150702750
	First impeller 46SV		150703732
15	Diffuser carbon bush		152801810
16	Last stage diffuser		152801730
*21	OR	EPDM FPM FEP	KL02AAA KL02AAD KL02AA7
	OR	FPM FEP	KL02AAE KL02AA8
			Single-Double Sleeve Single Sleeve Double Sleeve
30	Bush seal		KL41AAH
32	Support tungsten bush SVN		KL16AAR
*33	Diffuser tungsten bush		KL05AC7
35	Sleeve ring		168601910

* Recommended spare parts - Parti di ricambio consigliate

* Pièces détachées conseillées - Empfohlene Ersatzteile

** Motor spare parts: see motor lists - Parti di ricambio motore: vedi liste motore

** Pièces détachées Moteur : voir listes moteur - Motor-Ersatzteile: gem. Motorlisten

66SVNL 2 Pole (66SVNL/D: motors IE3 fitted)

ELP 2 P, 3 ~										
N - Version T(IE2) -> T(IE3) ->	66SV2/1ANL	66SV2NL	66SV3/2ANL	66SV3/1ANL	66SV3NL	66SV4/2ANL	66SV4/1ANL	66SV4NL	66SV5/2ANL	66SV5/1ANL
	10157404G	10157405G	10157406G	10157407G	10157408G	10157409G	10157410G	10157411G	10157412G	10157413G
	10168404G	10168405G	10168406G	10168407G	10168408G	10168409G	10168410G	10168411G	10168412G	10168413G
	66SV5NL	66SV6/2ANL	66SV6/1ANL	66SV6NL	66SV7/2ANL	66SV7/1ANL	66SV7NL	66SV8/2ANL	66SV8/1ANL	66SV8NL
T(IE2) -> T(IE3) ->	10157414G	10157415G	10157416G	10157417G	10157418G	10157419G	10157420G	10157422G	10157421G	10157423G
	10168414G	10168415G	10168416G	10168417G	10168418G	10168419G	10168420G	10168421G	10168422G	10168423G
Motor power kW >	11.0	15.0	15.0	18.5	18.5	22.0	22.0	30.0	30.0	30.0
	30.0	30.0	37.0	37.0	37.0	37.0	45.0	45.0	45.0	45.0

Single Unit and Kit

Stages >	2	3	4	5	6	7	8
10 Sleeve STD PN	166442090	166442100	166442110	166442120	166442130	166442140	166442150
11 Shaft	165045790	165045800	165045810	165045820	165045830	165045840	165045850
31 Tie rods kit SVG	KL22ABD	KL22ABE	KL22ABF	KL22AAX	KL22ABG	KL22ABH	KL22ABK

Motor, Coupling, Motor Adaptor

**1	kW >	11.0	15.0	18.5	22.0	30.0	37.0	45.0
	Mot.2P,3~, IE2 >	50019VE00	50024VB00	50025VB00	50026VE00	107242100	107242200	107242300
	Mot.2P,3~, IE3 >	50A19VE00	50A24VB00	50A25VB00	50A26VE00	107242600	107242700	107242800
2 Adaptor	161453660	161453660	161453660	161453660	161453680	161453680	161453700	
23 Lifting bracket	161441060	161441060	161441060	161441060	161441070	161441070	161441070	
26 Coupling	KL10AAD	KL10AAD	KL10AAD	KL10AAE	KL10AAF	KL10AAF	KL10AAF	
27 Coupling guard	KL33AAC	KL33AAC	KL33AAC	KL33AAC	KL33AAC	KL33AAC	KL33AAC	

Wear parts, pump body

	->66SV2	->66SV3	->66SV6	->66SV8
drum (piston), impeller halt, impeller locking	1 bearing no drum	1 bearing drum	2 bearing drum	3 bearing drum
*34 Wear Parts kit	KL35ABL	KL35ABY	KL35ABM	KL35ABP
14 Pump body	PN16	151302070	151302090	-
	PN25	-	151302120	151302120
28 Drum	EPDM	-	KL41AAC	KL41AAC
	FPM	-	KL41AAF	KL41AAF
	FEP - FPM	-	KL41AAU	KL41AAU
29 Impeller locking	KL41AAG	-	-	-

Mech seal D2 + OR

*20	Materials ->	Q1BEGG	KL01AC0
		Q1Q1EGG	KL01AC1
		Q1BVGG	KL01AC2
		Q1Q1VGG	KL01AC3
		Q1CTGG	KL01AC5
		Q1Q1TGG	KL01AC6

Common, Single Unit and Kit

4	Plugs	EPDM	KL34AAF
		FPM	KL34AAG
		FEP -FPM	KL34AAH
5	Seal housing plate	160102850	
6	Upper head	161440040	
7	Spring	169100210	
*8	Reduced impeller A	150702840	
*9	Full impeller	150702760	
		First impeller 92SV, full	150702770
15	Diffuser carbon bush	152801820	
16	Last stage diffuser	152801750	
*21	OR	EPDM	KL02AAC
		FPM	KL02AAF
		FEP-FPM	KL02AA9
30	Bush seal	KL41AAH	
32	Support tungsten bush SVG	KL16AAH	92SV support
*33	Diffuser tungsten bush	KL05AC8	From 66SV4, included

* Pièces détachées conseillées - Empfohlene Ersatzteile

** Motor spare parts: see motor lists - Parti di ricambio motore: vedi liste motore

** Pièces détachées Moteur : voir listes moteur - Motor-Ersatzteile: gem. Motorlisten

3366SV_NL_5_June12_EdC

xylem

