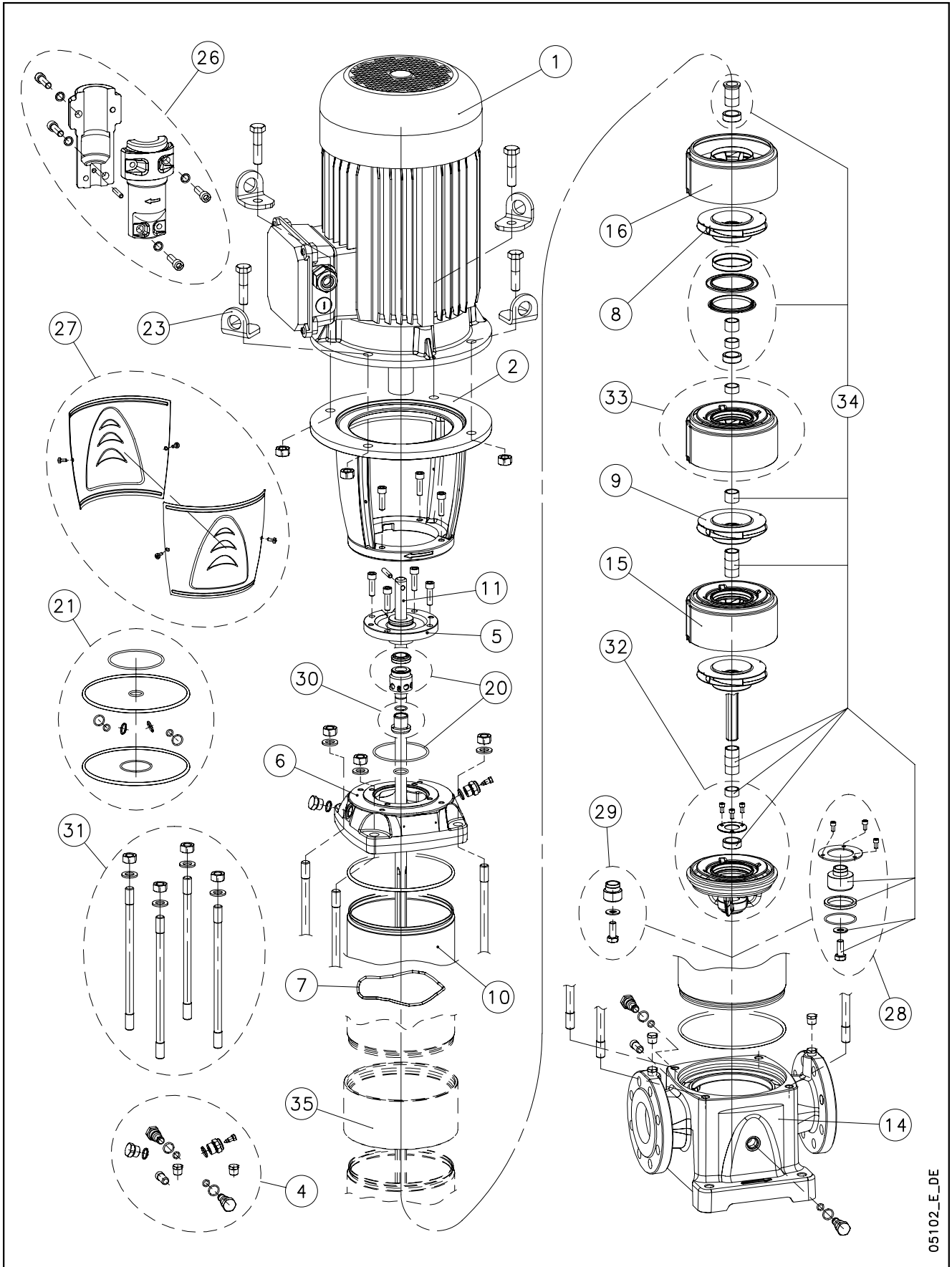


33, 46, 66, 92 SV



05102_E_DE

Lowara, Flygt and Vogel Pumpen are a trademark of Xylem Inc. or one of its subsidiaries. Goulds is a registered trademark of Goulds Pumps, Inc. and is used under license.

N.	Descrizione It	Description en	Description fr	Beschreibung de	Descripción es	Descrição pt
1	Motore	Motor	Moteur	Motor	Motor	Motor
2	Lanterna	Adaptor	Lanterne	Motorlaterne	Adaptador	Adaptador
4	Tappi	Plugs	Bouchons	Stopfen	Tapones	Tampões
5	Disco porta tenuta	Seal housing plate	Disque de support garniture	Dichtungsdeckel	Disco de alojamiento sello	Disco porta-vedante
6	Testata superiore	Upper head	Tête supérieure	Oberer kopf	Cabezal superior	Cabeça superior
7	Molla	Spring	Ressort	Feder	Muelle	Mola
8	Girante ridotta	Reduced impeller	Roue réduite	Lauftrad, reduzierter Durchmesser	Rodete, reducido	Impulsor reduzido
9	Girante piena	Full impeller	Roue pleine	Lauftrad, voller Durchmesser	Rodete, completo	Impulsor completo
10	Camicia	Sleeve	Chemise	Gehäuse	Camisa	Camisa
11	Albero	Shaft	Arbre	Welle	Árbol	Veio
14	Corpo pompa	Pump body	Corps de pompe	Pumpengehäuse	Caja bomba	Corpo da bomba
15	Diffusore boccola carbone	Diffuser carbon bush	Diffuseur douille carbone	Diffuser und Büchse, Kohle	Difusor casquillo carbón	Difusor bucha carvão
16	Diffusore finale	Last stage diffuser	Diffuseur dernier étage	Enddiffusor	Difusor final	Difusor final
20	Kit tenuta mecc. + OR	Mechanical seal + OR kit	Kit garniture mec. + joints toriques	Gleitringdichtung + O-Ring [Satz]	Kit sello mec. + junta tórica	Kit vedante mec. + OR
21	Kit guarnizioni OR	O ring kit	Kit joints toriques	Dichtungssatz	Kit juntas tóricas	Kit guarnições OR
23	Anello sollevamento	Lifting ring	Anneau de levage	Huböse	Anillo de elevación	Anel de suspensão
26	Kit coppia di semigiunti	Pair of half coupling kit	Kit paire de demi-manchons	Kupplung [Satz]	Kit par de semijuntas	Kit par de semi-juntas
27	Kit protezione giunto	Coupling guard kit	Kit protection manchon	Kupplungsschutz [Satz]	Kit protección junta	Kit proteção junta
28	Kit tamburo reggipinta	Thrust drum kit	Kit tambour butée	Drucklagerscheibe [Satz]	Kit tambor de empuje	Kit tambor de impulso
29	Kit bloccaggio giranti	Impeller locking kit	Kit blocage roues	Lauftrad Halt [Satz]	Kit bloqueo rodetes	Kit bloqueio impulsores
30	Kit bussola tenuta	Bush seal kit	Kit douille garniture	ringdichtungsarretierung und mitneh	Kit casquillo sello	kit bucha vedante
31	Kit tiranti	Tie rods kit	Kit tirants	Zugstangen [Satz]	Kit tirantes	Kit tirantes
32	Kit supporto boccola Widia	Support tungsten bush kit	Kit support douille Widia	Widia Halterung [Satz]	Kit soporte casquillo Widia	Kit suporte com tungstênio bucha
33	Kit diffusore boccola Widia	Diffuser tungsten bush kit	Kit diffuseur douille Widia	Diffusor mit Widia Büchse [Satz]	Kit difusor casquillo Widia	Kit difusor com tungstênio bucha
34	Kit parti di usura	Wear parts kit	Kit parties d'usure	Verschleißteile [Satz]	Kit piezas de desgaste	Kit peças desgastáveis
35	Anello per camicie	Sleeve ring	Anneau pour chemises	Ringhülse	Anillo para camisas	Anel para camisas
N.	Beschrijving nl	Περιγραφή el	Açıklama tr	Kuvau fi	Описание ru	Opis pl
1	Motor	Πλήρης κινητήρας	Motor	Moottori	Двигатель	Silnik
2	Lantaarnstuk	Μπρακέτο	Adaptör	Sovitin	Крестовина	Piasta
4	Pluggen	Σετ πατών	Tapalar	Tulpat	Пробки	Zatyczki
5	Dichtingssteunplaat	Δίσκος μηχανικού στυπιοθλίπτη	Sızdırmazlık elemanı diski	Tiivisteenn kannatuslevy	Пластина держателя прокладки	Tarcza uszczelki
6	Bovenste kop	Κεφαλή αντλίας	Üst kafa	Yläkansi	Верхняя головка	Głowica górna
7	Veer	Έλασμα	Yay	Jousi	Пружина	Sprężyna
8	Waaier met verkleinde diameter	Πτερόγιο μειωμένης διαμέτρου	Küçük boylu pompa rotoru	Pieni juoksupyörä	Уменьшенное рабочее колесо	Wirmik niepełny
9	Volle waaier	Πτερόγιο πλήρους διαμέτρου	Tam boylu pompa rotoru	Täydellinen juoksupyörä	Полное рабочее колесо	Wirmik pełny
10	Mantel	Κέλυφος	Gömlek	Muhvi	Муфта	Płaszcz
11	As	Άξονας	Mil	Akseli	Вал	Wał
14	Pomphuis	Σώμα αντλίας	Pompa gövdesi	Pumpun runko	Корпус насоса	Korpus pompy
15	Diffusor koollager	Πτερόγιο εκτροπής με κουζινέτο	Karbon burçlu difüzör	Diffusori ja hiiliholkki	Диффузор втулки угля	Dyfuzor tulejki węgla
16	Diffusor laatste trap	Τελευταίο πτερόγιο εκτροπής	Son difüzör	Loppuvaiheen diffuusori	Конечный диффузор	Dyfuzor końcowy
20	Set mech. asafdichting + O-ring	Μηχανικός στυπιοθλίπτης και ροδέλες στεγανοποίησης	Mekanik salmastra kiti + O-Ring	Mek. tiiviste + O-rengassarja	Комплект мех.прокладки + OR	Zestaw uszcz. mech. + OR
21	Set O-ringafdichtingen	Σετ ροδέλες στεγανοποίησης	O-Ring kiti	O-rengassarja	Комплект кольцевых прокладок OR	Zestaw uszczeliek OR
23	Hijs ring	Άρση δαχτυλίδι	Cihaz kaldırma	Nostorengas	Подъемные кольца	Pierścień podnoszenia
26	Set koppelingshelften	Σετ σταθερού συνδέσμου	Çift yarım manşon kiti	Liitinsarja	Комплект пары полумуфт	Zestaw pary półzłączy
27	Set koppelingsbescherming	Καλύμματα προστασίας σταθερού συνδέσμου	Manşon koruma kiti	Liitoksen suojuussarja	Комплект защиты муфт	Zestaw ochrony złącza
28	Set druklagertrommel	Σετ ωστικού εμβόλου	Basınç yatağı tambur kiti	Rumpusarja	Комплект упорного барабана	Testaw bębna łożyska oporowego
29	Set waaierblokkeringen	Σετ ασφάλισης πτερυγίων	Pompa rotorlarını sabitleme kiti	Juoksupyörien kiinnityssarja	Комплект блокировки раб. колес	Zestaw blokujący wirniki
30	Set afdichtingsbus	Σετ κουζινέτου μηχανικού στυπιοθλίπτη	Sızdırmazlık elemanı burcu kiti	Holkki ja tiiviste	Комплект втулки уплотнения	Zestaw busoli uszczel.
31	Set trekstangen	Σετ ράβδων σύνδεσης	Gergi çubuğu kiti	Vetotankosarja	Комплект тяг	Zestaw napinaczy
32	Set Widia steunbus	Σετ κάτω κουζινέτου	Tungsten burç mesnedi kiti	Kannatin ja kovametalliholkki	Комплект опоры втулки Widia	Zestaw wspornika tulejki Wolfram
33	Set Widia diffusorbus	Σετ πτερυγίου εκτροπής με κουζινέτο και δακτύλιο τριβής	Tungsten burçlu difüzör kiti	Diffusori ja kovametalliholkki	Комплект диффузора втулки Widia	Zestaw dyfuzora tulejki Wolfram
34	Set slijtonderdelen	Σετ δακτύλιων τριβής	Aşınma parçaları kiti	Kulumisiosien sarja	Комплект изнашиваемых частей	Zestaw części podł. zużyciu
35	Ring voor mantels	Σύνδεσμος κελύφων	Gömlek halkası	Muhvirengas	Кольцо муфты	Pierścień do płaszczy

33SVNE 2 Pole (33SVNE/D: motors IE3 fitted)

ELP 2 P, 3 -										
N - Version	33SV1/1ANE	33SV1NE	33SV2/2ANE	33SV2/1ANE	33SV2NE	33SV3/2ANE	33SV3/1ANE	33SV3NE	33SV4/2ANE	33SV4/1ANE
T(IE2) ->	10157001Q	10157002Q	10157003Q	10157004Q	10157005Q	10157006Q	10157007Q	10157008Q	10157009Q	10157010Q
T(IE3) ->	10168001Q	10168002Q	10168003Q	10168004Q	10168005Q	10168006Q	10168007Q	10168008Q	10168009Q	10168010Q
	33SV4NE	33SV5/2ANE	33SV5/1ANE	33SV5NE	33SV6/2ANE	33SV6/1ANE	33SV6NE	33SV7/2ANE	33SV7/1ANE	33SV7NE
T(IE2) ->	10157011Q	10157012Q	10157013Q	10157014Q	10157015Q	10157016Q	10157017Q	10157018Q	10157019Q	10157020Q
T(IE3) ->	10168011Q	10168012Q	10168013Q	10168014Q	10168015Q	10168016Q	10168017Q	10168018Q	10168019Q	10168020Q
	33SV8/2ANE	33SV8/1ANE	33SV8NE	33SV9/2ANE	33SV9/1ANE	33SV9NE	33SV10/2ANE	33SV10/1ANE	33SV10NE	
T(IE2) ->	10157021Q	10157022Q	10157023Q	10157024Q	10157025Q	10157026Q	10157027Q	10157028Q	10157029Q	
T(IE3) ->	10168021Q	10168022Q	10168023Q	10168024Q	10168025Q	10168026Q	10168027Q	10168028Q	10168029Q	
Motor power kW >	2,2	3,0	4,0	4,0	5,5	5,5	7,5	7,5	7,5	11,0
	11,0	11,0	11,0	15,0	15,0	15,0	15,0	15,0	15,0	18,5
	18,5	18,5	22,0	22,0	22,0	22,0	22,0	30,0	30,0	

Single Unit and Kit

Stages >	1	2	3	4	5	6	7	8	9	10
10 Sleeve PN25 DP	166441880P	166441890P	166441900P	166441910P	166441920P	166441930P	166441940P	166441950P	166441960P	166441970P
11 Shaft	165045620	165045630	165045640	165045650	165045660	165045670	165045680	165045690	165045700	165045710
31 Tie rods kit SVN	KL22AAS	KL22AAT	KL22AAU	KL22AAV	KL22AAW	KL22AAX	KL22AAZ	KL22AAZ	KL22AAZ	KL22AA1

Motor, Coupling, Adaptor

**1	kW >	2,2	3,0	4,0	5,5	7,5	11,0	15,0	18,5	22,0	30,0
	Mot.2P,3-, IE2 >	50001RD00	50002RF00	50008VG00	50013VE00	50017VB00	50019VE00	50024VB00	50025VB00	50026VE00	107242100
	Mot.2P,3-, IE3 >	50A01RD00	50A02RF00	50A08VL00	50A13VE00	50A17VB00	50A19VE00	50A24VB00	50A25VB00	50A26VE00	107242600
2	Adaptor	161453600	161453620	161453640	161453640	161453660	161453660	161453660	161453660	161453660	161453680
23	Lifting bracket	-	-	-	161441050	161441050	161441060	161441060	161441060	161441060	161441070
26	Coupling	KL10AAA	KL10AAB	KL10AAB	KL10AAC	KL10AAC	KL10AAD	KL10AAD	KL10AAD	KL10AAE	KL10AAF
27	Coupling guard	KL33AAA	KL33AAA	KL33AAA	KL33AAB	KL33AAB	KL33AAC	KL33AAC	KL33AAC	KL33AAC	KL33AAC

Wear parts, pump body

	->33SV4	->33SV5	->33SV9	->33SV13
drum, impeller stop,	1 bearing	2 bearing	2 bearing	3 bearing
impeller locking	no drum	no drum	drum	drum
* 34 Wear Parts Kit	KL35AA9	KL35ABA	KL35ABB	KL35ABD
Bearing holder	16012790P	16012790P	16012790P	16012790P
Diffuser wear ring plate	160102580P	160102580P	160102580P	160102580P
Impeller wear ring	168601720P	168601720P	168601720P	168601720P
14 Pump body	PN16 PN25-40	151302000	151302000	- 151302020
28 Drum	EPDM	-	-	KL41AAA KL41AAA
	FPM	-	-	KL41AAD KL41AAD
	FEP	-	-	KL41AAS KL41AAS
29 Impeller locking	KL41AAG	KL41AAG	-	-

Mech seal D2 + OR

*20	Materials ->	Q1BEGG	KL01AC0
		Q1Q1EGG	KL01AC1
		Q1BVGG	KL01AC2
		Q1Q1VGG	KL01AC3
		Q1CTGG	KL01AC5
		Q1Q1TGG	KL01AC6

Common, Single Unit and Kit

4	Plugs	EPDM	KL34AAF
		FPM	KL34AAG
		FEP	KL34AAH
5	Seal housing plate		160102850
6	Upper head		161440020
7	Spring		169100190
*8	Reduced impeller A, DPE		150702820P
*9	Full impeller, DPE		150702740P
15	Diffuser carbon bush, DPE		152801800P
16	Last stage diffuser, DPE		152801730P
*21	OR	EPDM	KL02AAA
		FPM	KL02AAD
		FEP	KL02AA7
30	Bush seal		KL41AAH
32	Support tungsten bush SVN		KL16AAE
*33	Diffuser tungsten bush		KL05AC6
			From 33SV4, included
35	Sleeve ring		-

* Recommended spare parts - Parti di ricambio consigliate

* Pièces détachées conseillées - Empfohlene Ersatzteile

** Motor spare parts: see motor lists - Parti di ricambio motore: vedi liste motore

** Pièces détachées Moteur : voir listes moteur - Motor-Ersatzteile: gem. Motorlisten

3392SV_NE_5_June11_EdA

46SVNE 2 Pole (46SVNE/D: motors IE3 fitted)

ELP 2 P, 3 ~										
N - Version	46SV1/1ANE	46SV1NE	46SV2/2ANE	46SV2NE	46SV3/2ANE	46SV3NE	46SV4/2ANE	46SV4NE	46SV5/2ANE	46SV5NE
T(IE2) ~>	10157201Q	10157202Q	10157203Q	10157204Q	10157205Q	10157206Q	10157207Q	10157208Q	10157209Q	10157210Q
T(IE3) ~>	10168201Q	10168202Q	10168203Q	10168204Q	10168205Q	10168206Q	10168207Q	10168208Q	10168209Q	10168210Q
46SV6/2ANE	46SV6NE	46SV7/2ANE	46SV7NE	46SV8/2ANE	46SV8NE	46SV9/2ANE	46SV9NE			
T(IE2) ~>	10157211Q	10157212Q	10157213Q	10157214Q	10157215Q	10157216Q	10157217Q	10157218Q		
T(IE3) ~>	10168211Q	10168212Q	10168213Q	10168214Q	10168215Q	10168216Q	10168217Q	10168218Q		
Motor power	3.0	4.0	5.5	7.5	11.0	11.0	15.0	15.0	18.5	18.5
kW >	22.0	22.0	30.0	30.0	30.0	30.0	30.0	37.0		

Single Unit and Kit

Stages >	1	2	3	4	5	6	7	8	9
10 Sleeve PN25 DP	166441880P	166441890P	166441900P	166441910P	166441920P	166441930P	166441940P	166441950P	166441960P
11 Shaft	165045620	165045630	165045640	165045650	165045660	165045670	165045680	165045690	165045700
31 Tie rods kit SVN	KL22AAS	KL22AAT	KL22AAU	KL22AAV	KL22AAW	KL22AAX	KL22AAY	KL22AAZ	KL22AA0

Motor, Coupling, Adaptor

**1 Motor power >	3.0	4.0	5.5	7.5	11.0	15.0	18.5	22.0	30.0	37.0
kW >										
Mot.2P,3~, IE2 >	50002RF00	50008VG00	50013VE00	50017VB00	50019VE00	50024VB00	50025VB00	50026VE00	107242100	107242200
Mot.2P,3~, IE3 >	50A02RF00	50A08VL00	50A13VE00	50A17VB00	50A19VE00	50A24VB00	50A25VB00	50A26VE00	107242600	107242700
2 Adaptor	161453620	161453620	161453640	161453640	161453660	161453660	161453660	161453660	161453680	161453680
23 Lifting bracket	-	-	161441050	161441050	161441060	161441060	161441060	161441060	161441070	161441070
26 Coupling	KL10AAB	KL10AAB	KL10AAC	KL10AAC	KL10AAD	KL10AAD	KL10AAD	KL10AAE	KL10AAF	KL10AAF
27 Coupling guard	KL33AAA	KL33AAA	KL33AAB	KL33AAB	KL33AAC	KL33AAC	KL33AAC	KL33AAC	KL33AAC	KL33AAC

Wear parts, pump body

	->46SV3	->46SV4	->46SV9
drum, impeller stop,	1 bearing	1 bearing	2 bearing
impeller locking	no drum	drum	drum
*34 Wear Parts Kit	KL35ABE	KL35ABX	KL35ABG
Bearing holder	16012790P	16012790P	16012790P
Diffuser wear ring plate	160102590P	160102590P	160102590P
Impeller wear ring	168601730P	168601730P	168601730P
14 Pump body	PN16	151302040	-
	PN16-40	-	151302060
28 Drum	EPDM	-	KL41AAB
	FPM	-	KL41AAE
	FEP	-	KL41AAT
29 Impeller locking	KL41AAG	-	-

Mech seal D2 + OR

*20	Materials ->	Q1BEGG	KL01AC0
		Q1Q1EGG	KL01AC1
		Q1BVG	KL01AC2
		Q1Q1VGG	KL01AC3
		Q1CTGG	KL01AC5
		Q1Q1TGG	KL01AC6

Common, Single Unit and Kit

4	Plugs	EPDM	KL34AAF	
		FPM	KL34AAG	
		FEP	KL34AAH	
5	Seal housing plate		160102850	
6	Upper head		161440020	
7	Spring		169100190	
8	Reduced impeller A, DPE		150702830P	
9	Full impeller, DPE		150702750P	
15	Diffuser carbon bush, DPE		152801810P	
16	Last stage diffuser, DPE		152801730P	
*21	OR	EPDM	KL02AAA	
		FPM	KL02AAD	
		FEP	KL02AA7	
30	Bush seal		KL41AAH	
32	Support tungsten bush SVN		KL16AAF	
*33	Diffuser tungsten bush		KL05AC7	From 46SV5, included
35	Sleeve ring		-	
	Diffuser box empty		152801960	33-46SV 2-4 pole

* Recommended spare parts - Parti di ricambio consigliate

** Pièces détachées conseillées - Empfohlene Ersatzteile

** Motor spare parts: see motor lists - Parti di ricambio motore: vedi liste motore

** Pièces détachées Moteur : voir listes moteur - Motor-Ersatzteile: gem. Motorlisten

3392SV_NE_5_June11_EdA

66SVNE 2 Pole (66SVNE/D: motors IE3 fitted)

ELP 2 P, 3 ~		66SV1/1ANE	66SV1NE	66SV2/2ANE	66SV2/1ANE	66SV2NE	66SV3/2ANE	66SV3/1ANE	66SV3NE	66SV4/2ANE	66SV4/1ANE
N - Version	T(IE2) ~>	10157401Q	10157402Q	10157403Q	10157404Q	10157405Q	10157406Q	10157407Q	10157408Q	10157409Q	10157410Q
	T(IE3) ~>	10168401Q	10168402Q	10168403Q	10168404Q	10168405Q	10168406Q	10168407Q	10168408Q	10168409Q	10168410Q
N - Version	T(IE2) ~>	66SV4NE	66SV5/2ANE	66SV5/1ANE	66SV5NE	66SV6/2ANE	66SV6/1ANE	66SV6NE	66SV7/2ANE	66SV7/1ANE	66SV7NE
	T(IE3) ~>	10157411Q	10157412Q	10157413Q	10157414Q	10157415Q	10157416Q	10157417Q	10157418Q	10157419Q	10157420Q
N - Version	T(IE2) ~>	66SV8/2ANE	66SV8/1ANE	66SV8NE							
	T(IE3) ~>	10157421Q	10157422Q	10157423Q							
Motor power	kw >	4.0	5.5	7.5	11.0	11.0	15.0	15.0	18.5	18.5	22.0
	kw >	22.0	30.0	30.0	30.0	30.0	30.0	37.0	37.0	37.0	45.0
		45.0	45.0	45.0							

Single Unit and Kit

10	Stages >	1	2	3	4	5	6	7	8
10	Sleeve PN25 DP	166442080P	166442090P	166442100P	166442110P	166442120P	166442130P	166442140P	166442150P
11	Shaft	165045780	165045790	165045800	165045810	165045820	165045830	165045840	165045850
31	Tie rods kit SVN	KL22ABC	KL22ABD	KL22ABE	KL22ABF	KL22AAX	KL22ABG	KL22ABH	KL22ABK

Motor, Coupling, Motor Adaptor

**1	kw >	4.0	5.5	7.5	11.0	15.0	18.5	22.0	30.0	37.0	45.0
	Mot.2P,3~, IE2 >	50008VG00	50013VE00	50017VB00	50019VE00	50024VB00	50025VB00	50026VE00	107242100	107242200	107242300
	Mot.2P,3~, IE3 >	50A08VL00	50A13VE00	50A17VB00	50A19VE00	50A24VB00	50A25VB00	50A26VE00	107242600	107242700	107242800
2	Adaptor	161453620	161453640	161453640	161453660	161453660	161453660	161453660	161453680	161453680	161453700
23	Lifting bracket	-	161441050	161441050	161441060	161441060	161441060	161441060	161441070	161441070	161441070
26	Coupling	KL10AAB	KL10AAC	KL10AAC	KL10AAD	KL10AAD	KL10AAD	KL10AAE	KL10AAF	KL10AAF	KL10AAF
27	Coupling guard	KL33AAA	KL33AAB	KL33AAB	KL33AAC	KL33AAC	KL33AAC	KL33AAC	KL33AAC	KL33AAC	KL33AAC

Wear parts, pump body

		->66SV2	->66SV3	->66SV6	->66SV8
	drum (piston), impeller halt,	1 bearing	1 bearing	2 bearing	3 bearing
	impeller locking	no drum	drum	drum	drum
*34	Wear Parts kit	KL35ABL	KL35ABY	KL35ABM	KL35ABP
	Bearing holder	16012790P	16012790P	16012790P	16012790P
	Diffuser wear ring plate	160102600P	160102600P	160102600P	160102600P
	Impeller wear ring	168601740P	168601740P	168601740P	168601740P
14	Pump body	PN16	151302070	151302090	151302090
		PN25	-	151302120	151302120
28	Drum	EPDM	-	KL41AAC	KL41AAC
		FPM	-	KL41AAF	KL41AAF
		FEP - FPM	-	KL41AAU	KL41AAU
29	Impeller locking	KL41AAG	-	-	-

Mech seal D2 + OR

*20	Materials ->	Q1BEGG	KL01AC0
		Q1Q1EGG	KL01AC1
		Q1BVGG	KL01AC2
		Q1Q1VGG	KL01AC3
		Q1CTGG	KL01AC5
		Q1Q1TGG	KL01AC6

Common, Single Unit and Kit

4	Plugs	EPDM	KL34AAF
		FPM	KL34AAG
		FEP -FPM	KL34AAH
5	Seal housing plate		160102850
6	Upper head		161440040
7	Spring		169100210
*8	Reduced impeller A, DPE		150702840P
*9	Full impeller, DPE		150702760P
15	Diffuser carbon bush, DPE		152801820P
16	Last stage diffuser, DPE		152801750P
*21	OR	EPDM	KL02AAC
		FPM	KL02AAF
		FEP-FPM	KL02AA9
30	Bush seal		KL41AAH
32	Support tungsten bush SVN		KL16AAG
*33	Diffuser tungsten bush		KL05AC8
			From 66SV4, included

* Pièces détachées conseillées - Empfohlene Ersatzteile

** Motor spare parts: see motor lists - Parti di ricambio motore: vedi liste motore

** Pièces détachées Moteur : voir listes moteur - Motor-Ersatzteile: gem. Motorlisten

3392SV_NE_5_June11_EdA

xylem

