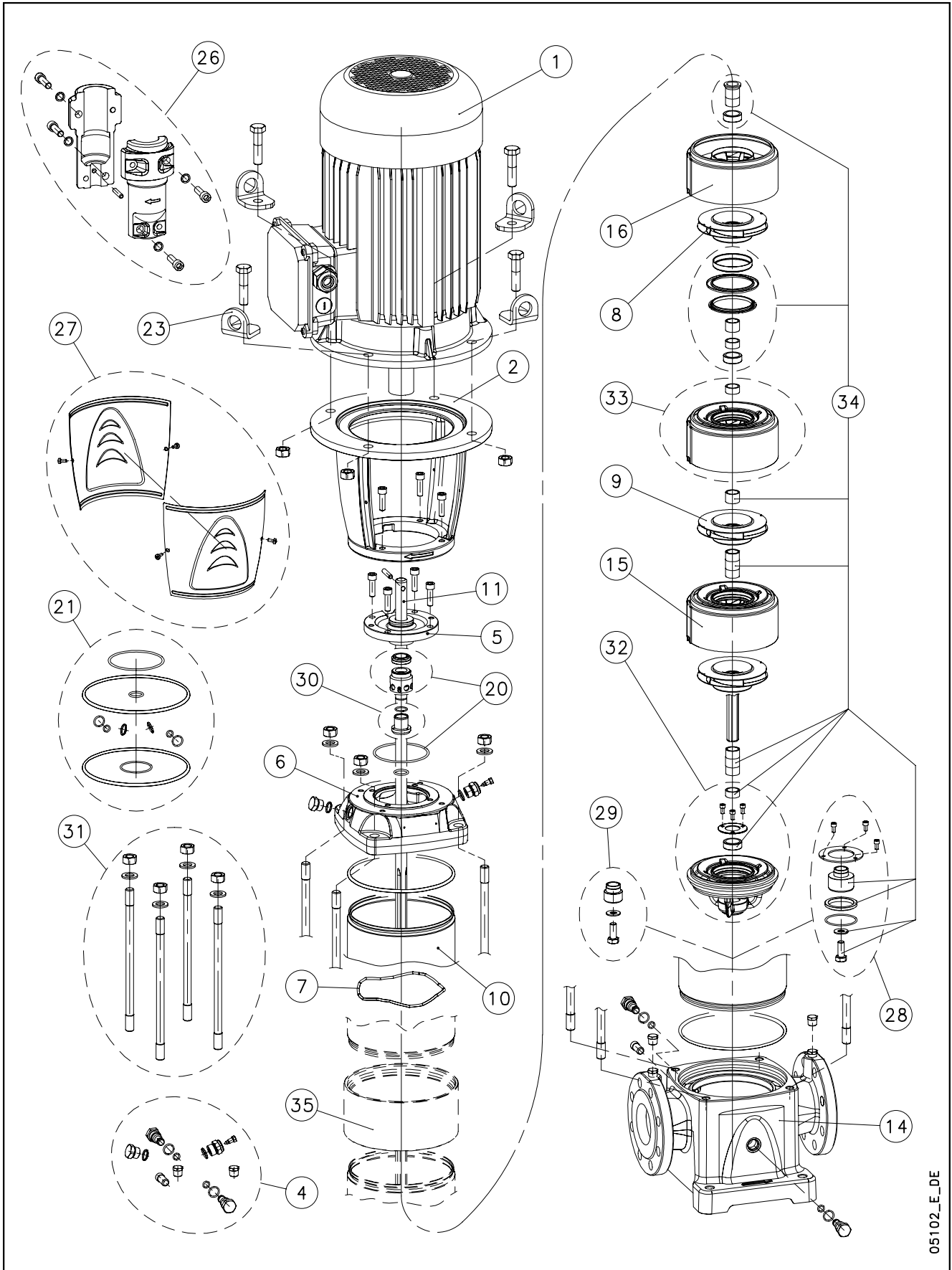


## 33, 46, 66, 92 SV



05102\_E\_DE

Lowara, Flygt and Vogel Pumpen are a trademark of Xylem Inc. or one of its subsidiaries. Goulds is a registered trademark of Goulds Pumps, Inc. and is used under license.

N.	Descrizione It	Description en	Description fr	Beschreibung de	Descripción es	Descrição pt
1	Motore	Motor	Moteur	Motor	Motor	Motor
2	Lanterna	Adaptor	Lanterne	Motorlaterne	Adaptador	Adaptador
4	Tappi	Plugs	Bouchons	Stopfen	Tapones	Tampões
5	Disco porta tenuta	Seal housing plate	Disque de support garniture	Dichtungsdeckel	Disco de alojamiento sello	Disco porta-vedante
6	Testata superiore	Upper head	Tête supérieure	Oberer kopf	Cabezal superior	Cabeça superior
7	Molla	Spring	Ressort	Feder	Muelle	Mola
8	Girante ridotta	Reduced impeller	Roue réduite	Laufrad, reduzierter Durchmesser	Rodete, reducido	Impulsor reduzido
9	Girante piena	Full impeller	Roue pleine	Laufrad, voller Durchmesser	Rodete, completo	Impulsor completo
10	Camicia	Sleeve	Chemise	Gehäuse	Camisa	Camisa
11	Albero	Shaft	Arbre	Welle	Árbol	Veio
14	Corpo pompa	Pump body	Corps de pompe	Pumpengehäuse	Caja bomba	Corpo da bomba
15	Diffusore boccola carbone	Diffuser carbon bush	Diffuseur douille carbone	Diffuser und Büchse, Kohle	Difusor casquillo carbón	Difusor bucha carvão
16	Diffusore finale	Last stage diffuser	Diffuseur dernier étage	Enddiffusor	Difusor final	Difusor final
20	Kit tenuta mecc. + OR	Mechanical seal + OR kit	Kit garniture mec. + joints toriques	Gleitringdichtung + O-Ring [Satz]	Kit sello mec. + junta tórica	Kit vedante mec. + OR
21	Kit guarnizioni OR	O ring kit	Kit joints toriques	Dichtungssatz	Kit juntas tóricas	Kit guarnições OR
23	Anello sollevamento	Lifting ring	Anneau de levage	Huböse	Anillo de elevación	Anel de suspensão
26	Kit coppia di semigiunti	Pair of half coupling kit	Kit paire de demi-manchons	Kupplung [Satz]	Kit par de semijuntas	Kit par de semi-juntas
27	Kit protezione giunto	Coupling guard kit	Kit protection manchon	Kupplungsschutz [Satz]	Kit protección junta	Kit proteção junta
28	Kit tamburo reggipinta	Thrust drum kit	Kit tambour butée	Drucklagerscheibe [Satz]	Kit tambor de empuje	Kit tambor de impulso
29	Kit bloccaggio giranti	Impeller locking kit	Kit blocage roues	Laufrad Halt [Satz]	Kit bloqueo rodetes	Kit bloqueio impulsores
30	Kit bussola tenuta	Bush seal kit	Kit douille garniture	ringdichtungsarretierung und mitneh	Kit casquillo sello	kit bucha vedante
31	Kit tiranti	Tie rods kit	Kit tirants	Zugstangen [Satz]	Kit tirantes	Kit tirantes
32	Kit supporto boccola Widia	Support tungsten bush kit	Kit support douille Widia	Widia Halterung [Satz]	Kit soporte casquillo Widia	Kit suporte com tungstênio bucha
33	Kit diffusore boccola Widia	Diffuser tungsten bush kit	Kit diffuseur douille Widia	Diffusor mit Widia Büchse [Satz]	Kit difusor casquillo Widia	Kit difusor com tungstênio bucha
34	Kit parti di usura	Wear parts kit	Kit parties d'usure	Verschleißteile [Satz]	Kit piezas de desgaste	Kit peças desgastáveis
35	Anello per camicie	Sleeve ring	Anneau pour chemises	Ringhülse	Anillo para camisas	Anel para camisas
N.	Beschrijving nl	Περιγραφή el	Açıklama tr	Kuvau fi	Описание ru	Opis pl
1	Motor	Πλήρης κινητήρας	Motor	Moottori	Двигатель	Silnik
2	Lantaarnstuk	Μπρακέτο	Adaptör	Sovitin	Крестовина	Piasta
4	Pluggen	Σετ πατών	Tapalar	Tulpat	Пробки	Zatyczki
5	Dichtingssteunplaat	Δίσκος μηχανικού στυπιοθλίπτη	Sızdırmazlık elemanı diski	Tiivisteenn kannatuslevy	Пластина держателя прокладки	Tarcza uszczelki
6	Bovenste kop	Κεφαλή αντλίας	Üst kafa	Yläkansi	Верхняя головка	Głowica górna
7	Veer	Έλασμα	Yay	Jousi	Пружина	Sprężyna
8	Waaier met verkleinde diameter	Πτερόγιο μειωμένης διαμέτρου	Küçük boylu pompa rotoru	Pieni juoksupyörä	Уменьшенное рабочее колесо	Wirmik niepełny
9	Volle waaier	Πτερόγιο πλήρους διαμέτρου	Tam boylu pompa rotoru	Täydellinen juoksupyörä	Полное рабочее колесо	Wirmik pełny
10	Mantel	Κέλυφος	Gömlek	Muhvi	Муфта	Płaszcz
11	As	Άξονας	Mil	Akseli	Вал	Wał
14	Pomphuis	Σώμα αντλίας	Pompa gövdesi	Pumpun runko	Корпус насоса	Korpus pompy
15	Diffusor koollager	Πτερόγιο εκτροπής με κουζινέτο	Karbon burçlu difüzör	Diffusori ja hiiliholkki	Диффузор втулки угля	Dyfuzor tulejki węgla
16	Diffusor laatste trap	Τελευταίο πτερόγιο εκτροπής	Son difüzör	Loppuvaiheen diffuusori	Конечный диффузор	Dyfuzor końcowy
20	Set mech. asafdichting + O-ring	Μηχανικός στυπιοθλίπτης και ροδέλες στεγανοποίησης	Mekanik salmastra kiti + O-Ring	Mek. tiiviste + O-rengassarja	Комплект мех.прокладки + OR	Zestaw uszcz. mech. + OR
21	Set O-ringafdichtingen	Σετ ροδέλες στεγανοποίησης	O-Ring kiti	O-rengassarja	Комплект кольцевых прокладок OR	Zestaw uszczelkek OR
23	Hijs ring	Άρση δαχτυλίδι	Cihaz Kaldırma	Nostorengas	Подъемные кольца	Pierścień podnoszenia
26	Set koppelingshelften	Σετ σταθερού συνδέσμου	Çift yarım manşon kiti	Liitinsarja	Комплект пары полумуфт	Zestaw pary półzłączy
27	Set koppelingsbescherming	Καλύμματα προστασίας σταθερού συνδέσμου	Manşon koruma kiti	Liitoksen suojuussarja	Комплект защиты муфт	Zestaw ochrony złącza
28	Set druklagertrommel	Σετ ωστικού εμβόλου	Basınç yatağı tambur kiti	Rumpusarja	Комплект упорного барабана	Testaw bębna łożyska oporowego
29	Set waaierblokkeringen	Σετ ασφάλισης πτερυγίων	Pompa rotorlarını sabitleme kiti	Juoksupyörien kiinnityssarja	Комплект блокировки раб. колес	Zestaw blokujący wirmiki
30	Set afdichtingsbus	Σετ κουζινέτου μηχανικού στυπιοθλίπτη	Sızdırmazlık elemanı burcu kiti	Holkki ja tiiviste	Комплект втулки уплотнения	Zestaw busoli uszczel.
31	Set trekstangen	Σετ ράβδων σύνδεσης	Gergi çubuğu kiti	Vetotankosarja	Комплект тяг	Zestaw napinaczy
32	Set Widia steunbus	Σετ κάτω κουζινέτου	Tungsten burç mesnedi kiti	Kannatin ja kovametalliholkki	Комплект опоры втулки Widia	Zestaw wspornika tulejki Wolfram
33	Set Widia diffusorbus	Σετ πτερυγίου εκτροπής με κουζινέτο και δακτύλιο τριβής	Tungsten burçlu difüzör kiti	Diffusori ja kovametalliholkki	Комплект диффузора втулки Widia	Zestaw dyfuzora tulejki Wolfram
34	Set slijtonderdelen	Σετ δακτύλιων τριβής	Aşınma parçaları kiti	Kulumisiosien sarja	Комплект изнашиваемых частей	Zestaw części podł. zużyciu
35	Ring voor mantels	Σύνδεσμος κελύφων	Gömlek halkası	Muhvirengas	Кольцо муфты	Pierścień do płaszczy

Production date > June12

## 33SVGL 2 Pole (33SVGL/D: motors IE3 fitted)

ELP 2 P, 3 ~										
G - Version	33SV2/1AGL	33SV2GL	33SV3/2AGL	33SV3/1AGL	33SV3GL	33SV4/2AGL	33SV4/1AGL	33SV4GL	33SV5/2AGL	33SV5/1AGL
T(IE2) ->	10157004F	10157005F	10157006F	10157007F	10157008F	10157009F	10157010F	10157011F	10157012F	10157013F
T(IE3) ->	10168004F	10168005F	10168006F	10168007F	10168008F	10168009F	10168010F	10168011F	10168012F	10168013F
	<b>33SV5GL</b>	<b>33SV6/2AGL</b>	<b>33SV6/1AGL</b>	<b>33SV6GL</b>	<b>33SV7/2AGL</b>	<b>33SV7/1AGL</b>	<b>33SV7GL</b>	<b>33SV8/2AGL</b>	<b>33SV8/1AGL</b>	<b>33SV8GL</b>
T(IE2) ->	10157014F	10157015F	10157016F	10157017F	10157018F	10157019F	10157020F	10157021F	10157022F	10157023F
T(IE3) ->	10168014F	10168015F	10168016F	10168017F	10168018F	10168019F	10168020F	10168021F	10168022F	10168023F
	<b>33SV9/2AGL</b>	<b>33SV9/1AGL</b>	<b>33SV9GLL</b>	<b>33SV10/2AGL</b>	<b>33SV10/1AGL</b>	<b>33SV10GL</b>	<b>33SV11/2AGL</b>	<b>33SV11/1AGL</b>	<b>33SV11GL</b>	<b>33SV12/2AGL</b>
T(IE2) ->	10157024F	10157025F	10157026F	10157027F	10157028F	10157029F	10157030F	10157031F	10157032F	10157033F
T(IE3) ->	10168024F	10168025F	10168026F	10168027F	10168028F	10168029F	10168030F	10168031F	10168032F	10168033F
	<b>33SV12/1AGL</b>	<b>33SV12GL</b>	<b>33SV13/2AGL</b>	<b>33SV13/1AGL</b>						
T(IE2) ->	10157034F	10157035F	10157036F	10157037F						
T(IE3) ->	10168034F	10168035F	10168036F	10168037F						
<b>Motor power</b>	5,5	5,5	7,5	7,5	7,5	11,0	11,0	11,0	11,0	15,0
kw >	15,0	15,0	15,0	15,0	18,5	18,5	18,5	18,5	22,0	22,0
	22,0	22,0	22,0	30,0	30,0	30,0	30,0	30,0	30,0	30,0
	30,0	30,0	30,0	37,0						

### Single Unit and Kit

Stages >		2	3	4	5	6	7	8	9	10
		11	12	13						
10	Sleeve STD PN2	166441891	166441901	166441911	166441921	166441931	166441941	166441951	166441961	166441971
	Sleeve STD PN4	KL13AAA	KL13AAB	KL13AAC	<b>Note. Double Sleeve Kit are without ring (pls see item 35)</b>					
11	Shaft	165045631	165045641	165045651	165045661	165045671	165045681	165045691	165045701	165045711
		165045721	165045731	165045741						
31	Tie rods kit SVG	KL22AAD	KL22AAE	KL22AAF	KL22AAG	KL22AAH	KL22AAK	KL22AAL	KL22AAM	KL22AAN
		KL22AAP	KL22AAQ	KL22AAR						

### Motor, Coupling, Adaptor

**1	kw >	5,5	7,5	11,0	15,0	18,5	22,0	30,0	37,0
	Mot.2P,3~, IE2 >	50013VE00	<b>50017VB00</b>	50019VE00	<b>50024VB00</b>	50025VB00	<b>50026VE00</b>	107242100	<b>107242200</b>
	Mot.2P,3~, IE3 >	50A13VE00	50A17VB00	50A19VE00	50A24VB00	50A25VB00	50A26VE00	107242600	107242700
2	Adaptor	161453640	161453640	161453660	161453660	161453660	161453660	161453680	161453680
23	Lifting bracket	161441050	161441050	161441060	161441060	161441060	161441060	161441070	161441070
26	Coupling	KL10AAC	KL10AAC	KL10AAD	KL10AAD	KL10AAD	KL10AAE	KL10AAF	KL10AAF
27	Coupling guard	KL33AAB	KL33AAB	KL33AAC	KL33AAC	KL33AAC	KL33AAC	KL33AAC	KL33AAC

### Wear parts, pump body

Wear parts, pump body		->33SV4	->33SV5	->33SV9	->33SV13
drum, impeller stop, impeller locking		1 bearing no drum	2 bearing no drum	2 bearing drum	3 bearing drum
* 34	<b>Wear Parts Kit</b>	KL35AA9	KL35ABA	KL35ABB	KL35ABD
14	Pump body	PN16	151351000	151351000	-
		PN25-40	-	-	151351020
28	Drum	EPDM	-	-	KL41AAA
		FPM	-	-	KL41AAD
		FEP	-	-	KL41AAS
29	Impeller locking	KL41AAG	KL41AAG	-	-

### Mech seal D22 + OR

*20	Materials ->	Q1BEGG	KL01AC0	STD -> Q1BEGG - OR EPDM
		Q1Q1EGG	KL01AC1	
		Q1BVGG	KL01AC2	
		Q1Q1VGG	KL01AC3	
		Q1CTGG	KL01AC5	
		Q1Q1TGG	KL01AC6	

### Common, Single Unit and Kit

4	Plugs	EPDM	KL34AAF	
		FPM	KL34AAG	
		FEP	KL34AAH	
5	Seal housing plate		160150260	
6	Upper head		161453740	
7	Spring		169100190	
*8	Reduced impeller A		150702820	
*9	Full impeller		150702740	
	First impeller 46SV, full		150702750	
15	Diffuser carbon bush		152801801	304 SS
16	Last stage diffuser		152801731	304 SS
*21	OR	EPDM	KL02AAA	Single-Double Sleeve
		FPM	KL02AAD	
	OR	FEP	KL02AA7	Single Sleeve
		FPM	KL02AAE	
	OR	FEP	KL02AA8	Double Sleeve
30	Bush seal		KL41AAH	
32	Support tungsten bush SVG		KL16AAB	46SV support
*33	Diffuser tungsten bush		KL05AC6	From 33SV4, incl.
35	Sleeve ring		168601900	<b>For 11-12-13 Stages Pumps</b>

\* Recommended spare parts - Parti di ricambio consigliate

\* Pièces détachées conseillées - Empfohlene Ersatzteile

\*\* Motor spare parts: see motor lists - Parti di ricambio motore: vedi liste motore

\*\* Pièces détachées Moteur : voir listes moteur - Motor-Ersatzteile: gem. Motorlisten

3366SV\_GL\_5\_June12\_EdB

## 46SVGL 2 Pole (46SVGL/D: motors IE3 fitted)

ELP 2 P, 3 ~	46SV2/1AGL	46SV2GL	46SV3/2AGL	46SV3GL	46SV4/2AGL	46SV4GL	46SV5/2AGL	46SV5GL	46SV6/2AGL	46SV6GL
<b>G - Version</b>										
T(IE2) ->	10157203F	10157204F	10157205F	10157206F	10157207F	10157208F	10157209F	10157210F	10157211F	10157212F
T(IE3) ->	10168203F	10168204F	10168205F	10168206F	10168207F	10168208F	10168209F	10168210F	10168211F	10168212F
	<b>46SV7/2AGL</b>	<b>46SV7GL</b>	<b>46SV8/2AGL</b>	<b>46SV8GL</b>	<b>46SV9/2AGL</b>	<b>46SV9GL</b>	<b>SV4610/2AGL</b>	<b>SV4610GL</b>	<b>SV4611/2AGL</b>	<b>SV4611GL</b>
T(IE2) ->	10157213F	10157214F	10157215F	10157216F	10157217F	10157218F	10157219F	10157220F	10157221F	10157222F
T(IE3) ->	10168213F	10168214F	10168215F	10168216F	10168217F	10168218F	10168219F	10168220F	10168221F	10168222F
	<b>SV4612/2AGL</b>	<b>SV4612GL</b>								
T(IE2) ->	10157223F	10157224F								
T(IE3) ->	10168223F	10168224F								
<b>Motor power</b>	7.5	11.0	11.0	15.0	15.0	15.0	18.5	18.5	22.0	22.0
<b>kW &gt;</b>	30.0	30.0	30.0	30.0	37.0	37.0	37.0	37.0	45.0	45.0
	45.0	45.0								

### Single Unit and Kit

Stages >	2	3	4	5	6	7	8	9
	10	11	12	13				
10 Sleeve STD PN	166441891	166441901	166441911	166441921	166441931	166441941	166441951	166441961
11 Sleeve STD PN	156408690	KL13AAA	KL13AAB	KL13AAC	<b>Double Sleeve Kit are without ring (see item 35)</b>			
11 Shaft	165045631	165045641	165045651	165045661	165045671	165045681	165045691	165045701
	165045711	165045721	165045731	165045741				
31 Tie rods kit SVG	KL22AAD	KL22AAE	KL22AAF	KL22AAG	KL22AAH	KL22AAK	KL22AAL	KL22AAM
	KL22AAN	KL22AAP	KL22AAQ	KL22AAR				

### Motor, Coupling, Adaptor

**1 kW >	7.5	11.0	15.0	18.5	22.0	30.0	37.0	45.0
Mot.2P,3-, IE2 >	50017VB00	<b>50019VE00</b>	50024VB00	<b>50025VB00</b>	50026VE00	<b>107242100</b>	107242200	107242300
Mot.2P,3-, IE3 >	50A17VB00	50A19VE00	50A24VB00	50A25VB00	50A26VE00	107242600	107242700	107242800
2 Adaptor	161453640	161453660	161453660	161453660	161453660	161453680	161453680	161453700
23 Lifting bracket	161441050	161441060	161441060	161441060	161441060	161441070	161441070	161441070
26 Coupling	KL10AAC	KL10AAD	KL10AAD	KL10AAD	KL10AAE	KL10AAF	KL10AAF	KL10AAF
27 Coupling guard	KL33AAB	KL33AAC	KL33AAC	KL33AAC	KL33AAC	KL33AAC	KL33AAC	KL33AAC

### Wear parts, pump body

	->46SV3	->46SV4	->46SV9	->46SV13
drum, impeller stop, impeller locking	1 bearing no drum	1 bearing drum	2 bearing drum	3 bearing drum
*34 <b>Wear Parts Kit</b>	KL35ABE	KL35ABX	KL35ABG	KL35ABK
Impeller spacer	162503112	162503112	162503112	162503112
14 Pump body	PN16	151351040	-	-
	PN16-40	-	151351060	151351060
28 Drum	EPDM	-	KL41AAB	KL41AAB
	FPM	-	KL41AAE	KL41AAE
	FEP	-	KL41AAT	KL41AAT
29 Impeller locking	KL41AAG	-	-	-

### Mechanical seal D22 + OR

*20 Materials ->	KL01AC0	<b>Q1BEGG</b>	STD -> Q1BEGG - OR EPDM
	KL01AC1	<b>Q1Q1EGG</b>	
	KL01AC2	<b>Q1BVGG</b>	
	KL01AC3	<b>Q1Q1VGG</b>	
	KL01AC5	<b>Q1CTGG</b>	
	KL01AC6	<b>Q1Q1TGG</b>	

### Common, Single Unit and Kit

4 Plugs	EPDM	KL34AAF	
	FPM	KL34AAG	
	FEP	KL34AAH	
5 Seal housing plate		160150260	
6 Upper head		161453740	
7 Spring		169100190	
*8 Reduced impeller A		150702830	
*9 Full impeller		150702750	
	First impeller 46SV	150703732	Low NPSH impeller
15 Diffuser carbon bush		152801811	304 SS
16 Last stage diffuser		152801731	304 SS
*21 OR	EPDM	KL02AAA	Single-Double Sleeve
	FPM	KL02AAD	
	FEP	KL02AA7	Single Sleeve
	FPM	KL02AAE	
	FEP	KL02AA8	Double Sleeve
30 Bush seal		KL41AAH	
32 Support tungsten bush SVG		KL16AAR	46SV Low NPSH support 151403132
*33 Diffuser tungsten bush		KL05AC7	From 46SV5, included
35 Sleeve ring		168601900	<b>For 11-12-13 STages Double Sleeve Pumps</b>

\* Recommended spare parts - Parti di ricambio consigliate

\* Pièces détachées conseillées - Empfohlene Ersatzteile

\*\* Motor spare parts: see motor lists - Parti di ricambio motore: vedi liste motore

## 66SVGL 2 Pole (66SVGL/D: motors IE3 fitted)

ELP 2 P, 3 ~										
G - Version	66SV2/1AGL	66SV2GL	66SV3/2AGL	66SV3/1AGL	66SV3GL	66SV4/2AGL	66SV4/1AGL	66SV4GL	66SV5/2AGL	66SV5/1AGL
T(IE2) ->	10157404F	10157405F	10157406F	10157407F	10157408F	10157409F	10157410F	10157411F	10157412F	10157413F
T(IE3) ->	10168404F	10168405F	10168406F	10168407F	10168408F	10168409F	10168410F	10168411F	10168412F	10168413F
	<b>66SV5GL</b>	<b>66SV6/2AGL</b>	<b>66SV6/1AGL</b>	<b>66SV6GL</b>	<b>66SV7/2AGL</b>	<b>66SV7/1AGL</b>	<b>66SV7GL</b>	<b>66SV8/2AGL</b>	<b>66SV8/1AGL</b>	<b>66SV8GL</b>
T(IE2) ->	10157414F	10157415F	10157416F	10157417F	10157418F	10157419F	10157420F	10157421F	10157422F	10157423F
T(IE3) ->	10168414F	10168415F	10168416F	10168417F	10168418F	10168419F	10168420F	10168421F	10168422F	10168423F
<b>Motor power</b>	11.0	15.0	15.0	18.5	18.5	22.0	22.0	30.0	30.0	30.0
kW >	30.0	30.0	37.0	37.0	37.0	37.0	45.0	45.0	45.0	45.0

### Single Unit and Kit

Stages >	2	3	4	5	6	7	8
10 Sleeve STD PN2	166442091	166442101	166442111	166442121	166442131	166442141	166442151
11 Shaft	165045791	165045801	165045811	165045821	165045831	165045841	165045851
31 Tie rods kit SVG	KL22AA6	KL22AA7	KL22AA8	KL22AAH	KL22AA9	KL22ABA	KL22ABB

### Motor, Coupling, Motor Adaptor

**1 kW >	11.0	15.0	18.5	22.0	30.0	37.0	45.0
Mot.2P,3~, IE2 >	50019VE00	50024VB00	50025VB00	50026VE00	107242100	107242200	107242300
Mot.2P,3~, IE3 >	50A19VE00	50A24VB00	50A25VB00	50A26VE00	107242600	107242700	107242800
2 Adaptor	161453660	161453660	161453660	161453660	161453680	161453680	161453700
23 Lifting bracket	161441060	161441060	161441060	161441060	161441070	161441070	161441070
26 Coupling	KL10AAD	KL10AAD	KL10AAD	KL10AAE	KL10AAF	KL10AAF	KL10AAF
27 Coupling guard	KL33AAC	KL33AAC	KL33AAC	KL33AAC	KL33AAC	KL33AAC	KL33AAC

### Wear parts, pump body

	->66SV2	->66SV3	->66SV6	->66SV8
drum,impeller stop, impeller locking	1 bearing no drum	1 bearing drum	2 bearing drum	3 bearing drum
*34 Wear Parts kit	KL35ABL	KL35ABY	KL35ABN	KL35ABQ
14 Pump body	PN16 PN 25	151351080 -	151351100 -	- 151351130
28 Drum	EPDM FPM FEP	- -	KL41AAC KL41AAF KL41AAU	KL41AAC KL41AAF KL41AAU
29 Impeller locking	KL41AAG	-	-	-

### Mechanical seal D22 + OR

*20 Materials ->	<b>Q1BEGG</b>	KL01AC0	STD -> Q1BEGG - OR EPDM
	<b>Q1Q1EGG</b>	KL01AC1	
	<b>Q1BVGG</b>	KL01AC2	
	<b>Q1Q1VGG</b>	KL01AC3	
	<b>Q1CTGG</b>	KL01AC5	
	<b>Q1Q1TGG</b>	KL01AC6	

### Common, Single Unit and Kit

4 Plugs	EPDM FPM FEP	KL34AAF KL34AAG KL34AAH	
5 Seal housing plate		160150260	
6 Upper head		161453760	
7 Spring		169100210	
*8 Reduced impeller		150702840	
*9 Full impeller		150702760	
	First impeller 92SV, full	150702770	
15 Diffuser carbon bush		152801821	304 SS
16 Last stage diffuser		152801751	304 SS
*21 OR	EPDM FPM FEP	KL02AAC KL02AAF KL02AA9	
30 Bush seal		KL41AAH	
32 Support tungsten bush SVG		KL16AAD	92SV support
*33 Diffuser tungsten bush		KL05AC8	From 66SV4, included

\* Recommended spare parts - Parti di ricambio consigliate

\* Pièces détachées conseillées - Empfohlene Ersatzteile

\*\* Motor spare parts: see motor lists - Parti di ricambio motore: vedi liste motore

\*\* Pièces détachées Moteur : voir listes moteur - Motor-Ersatzteile: gem. Motorlisten

3366SV\_GL\_5\_June12\_EdB

# xylem

