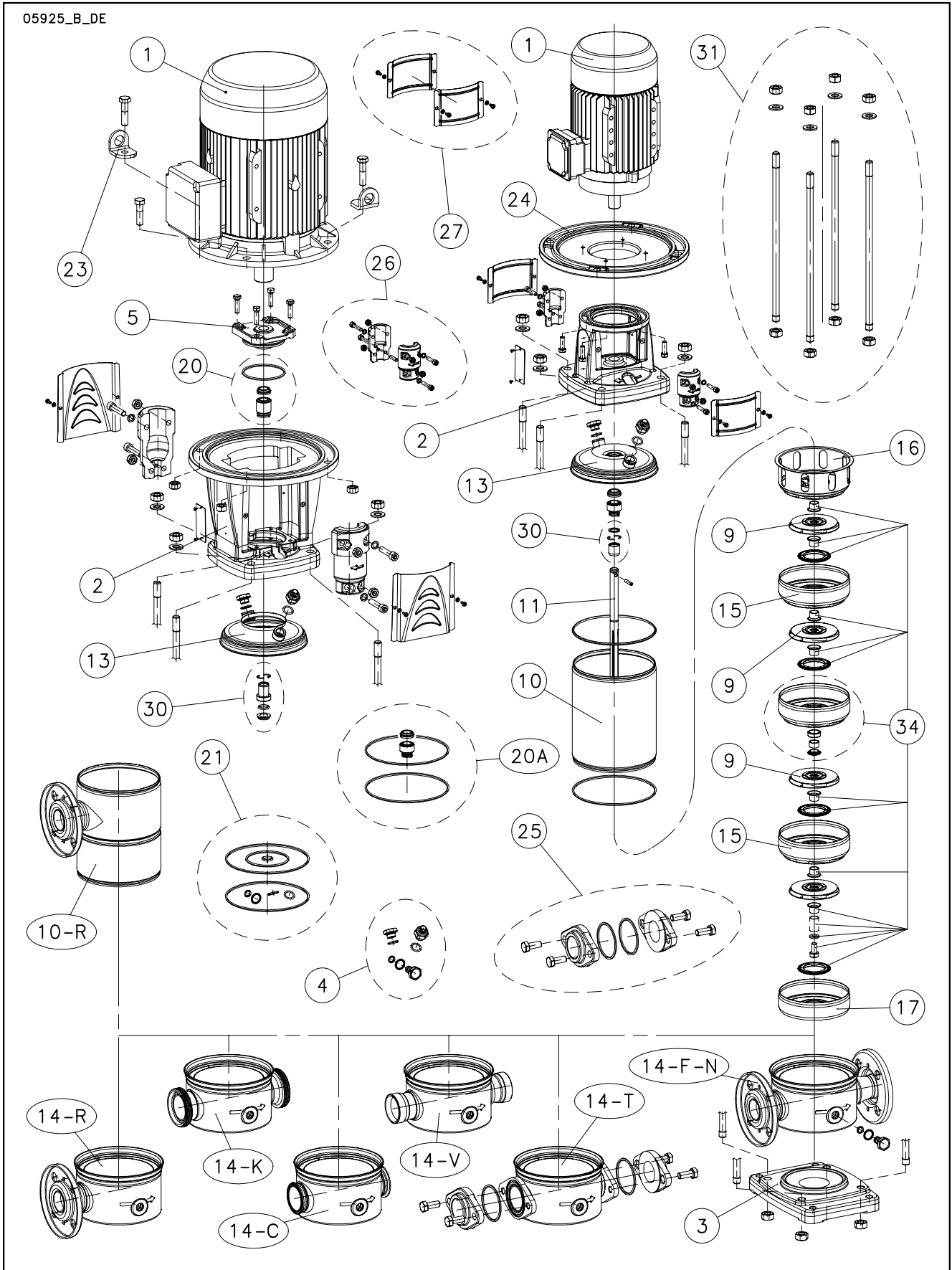


1, 3, 5, 10, 15, 22SV



Lowara and Vogel Pumpen are a trademark of Xylem Inc. or one of its subsidiaries. Goulds is a registered trademark of Goulds Pumps, Inc. and is used under license.

| N. | Descrizione It | Description en | Description fr | Beschreibung de | Descripción es | Descrição pt |
|----|---------------------------------|---|--------------------------------------|---|---------------------------------|-------------------------------|
| 1 | Motore | Motor | Moteur | Motor | Motor | Motor |
| 2 | Lanterna | Adaptor | Lanterne | Motorlanterne | Adaptador | Adaptador |
| 3 | Base | Basement | Base | Untersatz | Base | Base |
| 4 | Tappi | Plugs | Bouchons | Stopfen | Tapones | Tampões |
| 5 | Portatenuta superiore | Upper holder | Disque supérieure | Oberer dichtungsdeckel | Disco superior | Disco superior |
| 9 | Girante | Impeller | Roue | Laufrad | Rodete | Impulsor |
| 10 | Camicia | Sleeve | Chemise | Gehäuse | Camisa | Camisa |
| 11 | Albero | Shaft | Arbre | Welle | Árbol | Veio |
| 13 | Disco porta tenuta | Seal housing disc | Disque de garniture | Dichtungsdeckel | Disco de alojamiento sello | Disco porta-vedante |
| 14 | Corpo pompa | Pump body | Corps de pompe | Pumpengehäuse | Caja bomba | Corpo da bomba |
| 15 | Diffusore | Diffuser | Diffuseur | Diffusor | Difusor | Difusor |
| 16 | Diffusore finale | Last stage diffuser | Diffuseur dernier étage | Enddiffusor | Difusor final | Difusor final |
| 17 | Scatola stadio iniziale | Initial stage box | Box premier étage | Erste Stufe Diffusor | Caja etapa inicial | Carcaça primeira célula |
| 20 | Kit tenuta mecc. + OR | Mechanical seal + OR kit | Kit garniture méc. + joints toriques | Gleitringdichtung + O-Ring [Satz] | Kit sello mec. + junta tórica | Kit vedante mec. + OR |
| 21 | Kit guarnizioni OR | O ring kit | Kit joints toriques | Dichtungssatz | Kit juntas tóricas | Kit guarnições OR |
| 23 | Staffa sollevamento | Lifting bracket | Support de levage | Hebeösen | Soporte de elevación | Suporte de suspensão |
| 24 | Flangia motore | Motor flange | Bride moteur | Motorflansch | Brida motor | Flange motor |
| 25 | Kit controflangia ovale | O val counterflange kit | Kit contrebride ovale | Gegenflansch oval [Satz] | Kit contrafrida oval | Kit contraflange oval |
| 26 | Kit coppia di semigiunti | Pair of half coupling kit | Kit paire de demi-manchons | Kupplung [Satz] | Kit par de semijuntas | Kit par de semi-juntas |
| 27 | Kit protezione giunto | Coupling guard kit | Kit protection manchon | Kupplungsschutz [Satz] | Kit protección junta | Kit protecção junta |
| 30 | Kit bussola tenuta | Bush seal kit | Kit douille garniture | Gleitringdichtungsarretierung und mitnehmer | Kit casquillo sello | kit bucha vedante |
| 31 | Kit tiranti | Tie rods kit | Kit tirants | Zugstangen [Satz] | Kit tirantes | Kit tirantes |
| 34 | Kit parti di usura | Wear parts kit | Kit parties d'usure | Verschleißteile [Satz] | Kit piezas de desgaste | Kit peças desgastáveis |
| N. | Beschrijving nl | Περιγραφή el | Açıklama tr | Kuvaus fi | Описание ru | Opis pl |
| 1 | Motor | Πλήρης κινητήρας | Motor | Moottori | Двигатель | Silnik |
| 2 | Lantaarnstuk | Μπρακέτο | Adaptör | Sovitin | Крестовина | Piasta |
| 3 | Pompvoet | Βάση | Kaide | Perusta | Основание | Podstawa |
| 4 | Pluggen | Σετ ταπών | Tapalar | Tulpat | Пробки | Zatyczki |
| 5 | Bovenste plaat | Ανώτερος δίσκος | Üst disk | Ylempi levy | Верхний держатель дисков | Tarcza górna |
| 9 | Waaier | στροφέιο | Pompa rotoru | Juoksupyörä | рабочее колесо | Wirnik |
| 10 | Mantel | Κέλυφος | Gömlük | Muhvi | Муфта | Plaszcz |
| 11 | As | Άξονας | Mil | Akseli | Вал | Wał |
| 13 | Dichtingssteenplaat | Δίσκος μηχανικού στυποθλιπτή | Sızdırmazlık elemanı disk | Tiivsteen kannatuslevy | Пластина держателя прокладки | Tarcza uszczelki |
| 14 | Pomphuis | Σώμα αντλίας | Pompa gövdesi | Pumpun runko | Корпус насоса | Korpus pompy |
| 15 | Diffusor | Πτερύγιο εκτροπής | Difüzör | Diffusori | Диффузор | Dyfuzor |
| 16 | Diffusor laatste trap | Τελευταίο πτερύγιο εκτροπής | Son difüzör | Loppuvaiheen diffusori | Конечный диффузор | Dyfuzor końcowy |
| 17 | Kast eerste trap | Πρώτο πτερύγιο εκτροπής | İlk kademe kutusu | Ensivaiheen laatikko | Коробка начальной стадии | Skrzynka początkowego stadium |
| 20 | Set mech. asafdichting + O-ring | Μηχανικός στυποθλιπτής και ροδέλες στεγανοποίησης | Mekanik salmastra kiti + O-Ring | Mek. tiiviste + O-rengassarja | Комплект мех. прокладки + OR | Zestaw uszcz. mech. + OR |
| 21 | Set O-ringafdichtingen | Σετ ροδέλες στεγανοποίησης | O-Ring kiti | O-rengassarja | Комплект кольцевых прокладок OR | Zestaw uszczeliek OR |
| 23 | Hijz steun | Άρση αγκύλη | Dirsek Kaldırma | Nosto ylätuki | Подъемные кронштейн | Podnoszenia wspornik |
| 24 | Motorflens | Μπρακέτο κινητήρα | Motor flanş | Moottorin laippa | Фланец двигателя | Kolnierz silnika |
| 25 | Set ovale flenzen | Σετ Οβάλ φλάντζα | Oval flanş kiti | Soikeiden vastalajpojen sarja | Комплект Овальный фланец | Zestaw Kolnierz owalnych |
| 26 | Set koppelingshefften | Σετ σταθερού συνδέσμου | Çift yanım manşon kiti | Liitisarja | Комплект пары полумуфт | Zestaw pary półzłączy |
| 27 | Set koppelingsbescherming | Καλύμματα προστασίας σταθερού συνδέσμου | Manşon koruma kiti | Liitoksen suojuussarja | Комплект защиты муфт | Zestaw ochrony złącza |
| 30 | Set afdichtingsbus | Σετ κουζινέτου μηχανικού στυποθλιπτή | Sızdırmazlık elemanı burcu kiti | Holkki ja tiiviste | Комплект втулки уплотнения | Zestaw busoli uszczel. |
| 31 | Set trekstangen | Σετ ράβδων σύνδεσης | Gergi çubuğu kiti | Vetotankosarja | Комплект тяг | Zestaw napinaczy |
| 34 | Set slijtonderdelen | Σετ δακτυλίων τριβής | Aşınma parçaları kiti | Kulumisiosien sarja | Комплект изнашиваемых частей | Zestaw części podl. zużyciu |

1SV P 2 Pole

Production date >Sept 2010

| ELP 2 P | | 1SV19P011 | 1SV22P011 | 1SV25P015 | 1SV27P015 | 1SV30P015 | 1SV32P022 | 1SV34P022 | 1SV37P022 |
|-----------|-------|-----------|-----------|-----------|-----------|-----------|-----------|-----------|-----------|
| P Version | M ~ > | | | | | | | | |
| | T ~ > | 1016L018A | 1016L021A | 1016L024A | 1016L026A | 1016L029A | 1016L031A | 1016L033A | 1016L036A |

Single Unit and Kit

| | | | | | | | | | |
|----|------------------|------------|------------|------------|------------|------------|------------|------------|------------|
| 10 | Sleeve PN40 A316 | 156502692 | 156502742 | 156502782 | 156502822 | 156502862 | 156502902 | 156502932 | 156502982 |
| 11 | Shaft A316 | 165050312B | 165050362B | 165050402B | 165050442B | 165050502B | 165050542B | 165050562B | 165050622B |
| 31 | Tie rods SVN kit | KL22AQB | KL22APG | KL22APV | KL22APW | KL22APN | KL22APQ | KL22AQG | KL22APY |

Motor, Coupling, Motor adaptor

| Motor power kW > | 1,1 | 1,1 | 1,1 | 1,5 | 1,5 | 2,2 | 2,2 | 2,2 |
|------------------|-----|-----|-----|-----|-----|-----|-----|-----|
|------------------|-----|-----|-----|-----|-----|-----|-----|-----|

| | | | | |
|-----|-----------------|-----------|-----------|-----------|
| **1 | kW > | 1,1 | 1,5 | 2,2 |
| | Motor 2P, 1 ~ > | | | |
| | Motor 2P, 3 ~ > | 107230500 | 50000RD00 | 50001RD00 |
| 2 | Adaptor | 161470720 | 161470740 | 161470740 |
| 23 | Lifting bracket | - | - | - |
| 26 | Coupling | KL10ABD | KL10ABE | KL10ABE |
| 27 | Coupling guard | KL33AAN | KL33AAP | KL33AAP |

Wear Parts kit

| up to model (- >) | - > 1SV20 | - > 1SV27 | - > 1SV35 | - > 1SV38 | |
|-------------------|------------|-----------|-----------|-----------|---------|
| *34 | Wear parts | KL35AEY | KL35AEZ | KL35AE0 | KL35AE1 |

Mechanical seal Kit : Mech seal D12 + sleeve OR

| | | | | |
|-----|--------------|---------|---------|---|
| *20 | Materials -> | Q1BEGG | KL01AD8 | Std -> Seal Q1BEGG - OR EPDM sleeve / Balanced PN40 |
| | | Q1Q1EGG | KL01AEB | |
| | | Q1BVGG | KL01AEC | |
| | | Q1Q1VGG | KL01AED | |
| | | Q1CTGG | TBD | |
| | | Q1Q1TGG | TBD | |

Common, Single Unit and kit

| | | | |
|-----|-------------------------|-----------|-------------------|
| 3 | Base | 161431310 | -> 1-3-5 SV N-V-K |
| 4 | Plugs | EPDM | KL34AAK |
| | | FPM | KL34AAL |
| | | FEP | KL34AAM |
| 5 | Upper holder | - | |
| *9 | Impeller 1SV A316 | 150703602 | |
| 13 | Seal housing disc | 150102922 | |
| 14 | Pump body | 151302362 | -> 1-3-5SV V-P |
| 15 | Diffuser | 152803112 | |
| 16 | Last stage diffuser | 162801722 | |
| 17 | First stage box | 152802912 | |
| *21 | OR | EPDM | KL02AA1 |
| | | FPM | KL02AA2 |
| | | FEP | KL02AA3 |
| 24 | Motor flange | - | |
| 25 | Kit oval flange OR EPDM | - | |
| | Kit oval flange OR FPM | - | |
| 30 | Bush seal kit | KL41AA3 | |

Service kit

| | | | | | | | | | |
|---|----------------------|-----|-----|-----|-----|-----|-----|-----|-----|
| - | Pump stack 1SVN EPDM | TbD | TbD | TbD | TbD | TbD | TbD | TbD | TbD |
|---|----------------------|-----|-----|-----|-----|-----|-----|-----|-----|

TbD: Part Number To be Defined

* Recommended spare parts - Parti di ricambio consigliate

* Pièces détachées conseillées - Empfohlene Ersatzteile

** Motor spare parts: see motor lists - Parti di ricambio motore: vedi liste motore

** Pièces détachées Moteur : voir listes moteur - Motor-Ersatzteile: gem. Motorlisten

1-22SVP_5_Sept10_EdG

3SV P 2 Pole

Production date >Sept 2010

| ELP 2 P | | | | | | | | |
|-----------|-------|------------------|------------------|------------------|------------------|------------------|------------------|------------------|
| P Version | | 3SV16P015 | 3SV19P022 | 3SV21P022 | 3SV23P022 | 3SV25P022 | 3SV27P030 | 3SV29P030 |
| | M ~ > | | | | | | | |
| | T ~ > | 1016L056A | 1016L059A | 1016L061A | 1016L063A | 1016L065A | 1016L067A | 1016L069A |

Single Unit and Kit

| | | | | | | | | |
|----|------------------|------------|------------|------------|------------|------------|------------|------------|
| 10 | Sleeve PN40 A316 | 156502642 | 156502692 | 156502722 | 156502762 | 156502782 | 156502822 | 156502852 |
| 11 | Shaft A316 | 165050262B | 165050312B | 165050342B | 165050382B | 165050402B | 165050442B | 165050482B |
| 31 | Tie rods SVN kit | KL22APC | KL22AQB | KL22APF | KL22APU | KL22APV | KL22APW | KL22APM |

Motor, Coupling, Motor adaptor

| Motor power kW > | 1,5 | 2,2 | 2,2 | 2,2 | 2,2 | 3,0 | 3,0 |
|------------------|-----|-----|-----|-----|-----|-----|-----|
|------------------|-----|-----|-----|-----|-----|-----|-----|

| | | | | |
|-----|-----------------|-----------|-----------|-----------|
| **1 | kW > | 1,5 | 2,2 | 3,0 |
| | Motor 2P, 1 ~ > | | | |
| | Motor 2P, 3 ~ > | 50000RD00 | 50001RD00 | 50002RF00 |
| 2 | Adaptor | 161470740 | 161470740 | 161470760 |
| 23 | Lifting bracket | - | - | - |
| 26 | Coupling | KL10ABE | KL10ABE | KL10ABF |
| 27 | Coupling guard | KL33AAP | KL33AAP | KL33AAQ |

Wear Parts kit

| up to model (- >) | - > 3SV20 | - > 3SV27 | - > 3SV35 | |
|-------------------|------------|-----------|-----------|---------|
| | 2 bearing | 3 bearing | 4 bearing | |
| *34 | Wear parts | KL35AEY | KL35AEZ | KL35AE0 |

Mechanical seal Kit : Mech seal D12 + sleeve OR

| | | | | |
|-----|--------------|----------------|---------|---|
| *20 | Materials -> | Q1BEGG | KL01AD8 | Std -> Seal Q1BEGG - OR EPDM Sleeve / Balanced PN40 |
| | | Q1Q1EGG | KL01AEB | |
| | | Q1BVGG | KL01AEC | |
| | | Q1Q1VGG | KL01AED | |
| | | Q1CTGG | TBD | |
| | | Q1Q1TGG | TBD | |

Common, Single Unit and kit

| | | | | |
|-----|-------------------------|------|-----------|-------------------|
| 3 | Base | | 161431310 | -> 1-3-5 SV N-V-K |
| 4 | Plugs | EPDM | KL34AAK | |
| | | FPM | KL34AAL | |
| | | FEP | KL34AAM | |
| 5 | Upper holder | | - | |
| *9 | Impeller 3SV A316 | | 150703612 | |
| 13 | Seal housing disc | | 150102922 | |
| 14 | Pump body | | 151302362 | -> 1-3SV V-P |
| 15 | Diffuser | | 152803112 | |
| 16 | Last stage diffuser | | 162801722 | |
| 17 | First stage box | | 152802912 | |
| *21 | OR | EPDM | KL02AA1 | |
| | | FPM | KL02AA2 | |
| | | FEP | KL02AA3 | |
| 24 | Motor flange | | - | |
| 25 | Kit oval flange OR EPDM | | - | |
| | | | - | |
| 30 | Bush seal kit | | KL41AA3 | |

Service Kit

| | | | | | | | | |
|---|----------------------|-----|-----|-----|-----|-----|-----|-----|
| - | Pump stack 3SVN EPDM | TbD | TbD | TbD | TbD | TbD | TbD | TbD |
|---|----------------------|-----|-----|-----|-----|-----|-----|-----|

TbD: Part Number To be Defined

* Recommended spare parts - Parti di ricambio consigliate

* Pièces détachées conseillées - Empfohlene Ersatzteile

** Motor spare parts: see motor lists - Parti di ricambio motore: vedi liste motore

** Pièces détachées Moteur : voir listes moteur - Motor-Ersatzteile: gem. Motorlisten

1-22SVP_5_Sept10_EdG

5SV P 2 Pole

| ELP 2 P | | | | | | | |
|-----------|-----------|-----------|-----------|-----------|-----------|-----------|-----------|
| P Version | 5SV18P030 | 5SV21P030 | 5SV23P040 | 5SV25P040 | 5SV28P040 | 5SV30P055 | |
| | M ~ > | | | | | | |
| | T ~ > | 1016L095A | 1016L098A | 1016L100A | 1016L102A | 1016L105A | 1016L107A |

Single Unit and Kit

| | | | | | | | |
|----|------------------|------------|------------|------------|------------|------------|------------|
| 10 | Sleeve PN40 A316 | 156502752 | 156502812 | 156502852 | 156502892 | 156502952 | 156502992 |
| 11 | Shaft A316 | 165050372B | 165050432B | 165050472B | 165050512B | 165050572B | 165050612B |
| 31 | Tie rods SVN kit | KL22AQM | KL22AQN | KL22APM | KL22AQP | KL22AQR | KL22AQS |

Motor, Coupling, Motor adaptor

| Motor power kW > | 3,0 | 3,0 | 4,0 | 4,0 | 4,0 | 5,5 |
|------------------|-----|-----|-----|-----|-----|-----|
|------------------|-----|-----|-----|-----|-----|-----|

| | | | | |
|-----|-----------------|-----------|-----------|-----------|
| **1 | kW > | 3,0 | 4,0 | 5,5 |
| | Motor 2P, 1 ~ > | | | |
| | Motor 2P, 3 ~ > | 50002RF00 | 50008VG00 | 50013VE00 |
| 2 | Adaptor | 161470760 | 161470760 | 161470760 |
| 23 | Lifting bracket | - | - | 161441050 |
| 26 | Coupling | KL10ABF | KL10ABF | KL10ABY |
| 27 | Coupling guard | KL33AAQ | KL33AAQ | KL33AAQ |

Wear Parts kit

| up to model (- >) | - > 5SV22 | - > 5SV28 | - > 5SV34 | |
|-------------------|------------|-----------|-----------|---------|
| | 3 bearing | 4 bearing | 5 bearing | |
| *34 | Wear parts | KL35AE4 | KL35AE5 | KL35AE6 |

Mechanical seal Kit : Mech seal D12 + sleeve OR

| | | | | |
|-----|--------------|---------|---------|--|
| *20 | Materials -> | Q1BEGG | KL01AD8 | Std -> Seal Q1BEGG - OR Sleeve EPDM / Balanced |
| | | Q1Q1EGG | KL01AEB | |
| | | Q1BVGG | KL01AEC | |
| | | Q1Q1VGG | KL01AED | |
| | | Q1CTGG | TBD | |
| | | Q1Q1TGG | TBD | |

Common, Single Unit and kit

| | | | | |
|-----|-------------------------|------|-----------|-------------------|
| 3 | Base | | 161431310 | -> 1-3-5 SV N-V-K |
| 4 | Plugs | EPDM | KL34AAK | |
| | | FPM | KL34AAL | |
| | | FEP | KL34AAM | |
| 5 | Upper holder | | - | |
| *9 | Impeller 5SV A316 | | 150703622 | |
| 13 | Seal housing disc | | 150102922 | |
| 14 | Pump body | | 151302362 | -> 1-3-5 SV V-P |
| 15 | Diffuser | | 152803122 | |
| 16 | Last stage diffuser | | 162801722 | |
| 17 | First stage box | | 152802922 | |
| *21 | OR | EPDM | KL02AA1 | |
| | | FPM | KL02AA2 | |
| | | FEP | KL02AA3 | |
| 24 | Motor flange | | 161050700 | 1-3-5SV 5,5 kW |
| 25 | Kit oval flange OR EPDM | | - | |
| | Kit oval flange OR FPM | | - | |
| 30 | Bush seal kit | | KL41AA3 | |

Service Kit

| | | | | | | | |
|---|----------------------|-----|-----|-----|-----|-----|-----|
| - | Pump stack 5SVN EPDM | TbD | TbD | TbD | TbD | TbD | TbD |
|---|----------------------|-----|-----|-----|-----|-----|-----|

TbD: Part Number To be Defined

* Recommended spare parts - Parti di ricambio consigliate

* Pièces détachées conseillées - Empfohlene Ersatzteile

** Motor spare parts: see motor lists - Parti di ricambio motore: vedi liste motore

** Pièces détachées Moteur : voir listes moteur - Motor-Ersatzteile: gem. Motorlisten

10SV P 2 Pole

| ELP 2P | | 10SV11P040 | 10SV13P055 | 10SV15P055 | 10SV17P075 | 10SV18P075 | 10SV20P075 | 10SV21P110 |
|-----------|-----|------------|------------|------------|------------|------------|------------|------------|
| P Version | M-> | | | | | | | |
| | T-> | 1016L125A | 1016L127A | 1016L129A | 1016L131A | 1016L132A | 1016L134A | 1016L135A |

Single Unit and Kit

| | | | | | | | | |
|----|------------------|------------|------------|------------|------------|------------|------------|------------|
| 10 | Sleeve PN40 A316 | 156503322 | 156503342 | 156503372 | 156503402 | 156503412 | 156503442 | 156503452 |
| 11 | Shaft A316 | 165051142B | 165051162B | 165051192B | 165051222B | 165051232B | 165051262B | 165051272B |
| 31 | Tie rods SVN Kit | KL22AQ6 | KL22AQ8 | KL22ARB | KL22ARE | KL22ARF | KL22ARK | KL22ARL |

Motor, Coupling, Motor Adaptor

| Motor power kW > | 4,0 | 5,5 | 5,5 | 7,5 | 7,5 | 7,5 | 11,0 |
|------------------|-----|-----|-----|-----|-----|-----|------|
|------------------|-----|-----|-----|-----|-----|-----|------|

| | | | | | |
|-----|-----------------|-----------|-----------|-----------|-----------|
| **1 | kW -> | 4,0 | 5,5 | 7,5 | 11,0 |
| | Motor 2 P, 1~> | | | | |
| | Motor 2 P, 3 ~> | 50008VG00 | 50013VE00 | 50017VB00 | 50019VE00 |
| 2 | Adaptor | 161470840 | 161470860 | 161470860 | 161470880 |
| 23 | Lifting bracket | - | 161441050 | 161441050 | 161441060 |
| 26 | Coupling | KL10ABK | KL10ABZ | KL10ABZ | KL10AB0 |
| 27 | Coupling guard | KL33AAT | KL33AAU | KL33AAU | KL33AAU |

Wear Parts Kit

| | ->10SV16 | ->10SV21 |
|------------------|-----------|-----------|
| up to model (->) | 2 bearing | 3 bearing |
| *34 Wear parts | KL35AE8 | KL35AE9 |

Mechanical seal Kit : Mech seal D16 + OR

| | | | | |
|-----|-------------|---------|---------|--|
| *20 | Materials-> | Q1BEGG | KL01AD7 | Std -> Seal Q1BEGG - OR EPDM / Balanced PN40 |
| | | Q1Q1EGG | KL01AD3 | |
| | | Q1BVGG | KL01AD2 | |
| | | Q1Q1VGG | KL01AD4 | |
| | | Q1CTGG | TBD | |
| | | Q1Q1TGG | TBD | |

Common, Single Unit and Kit

| | | | |
|-----|-------------------------|-----------|-----------------------|
| 3 | Base | 161431350 | -> 10SV V - P - K |
| 4 | Plugs | EPDM | KL34AAK |
| | | FPM | KL34AAL |
| | | FEP | KL34AAM |
| 5 | Upper holder | - | Up to 4,0 kW included |
| | | 160103722 | Over 5,5 kW |
| *9 | Impeller10 SV A316 | 150703632 | |
| 13 | Seal housing disc | 150102942 | Up to 4,0 kW included |
| | | 150102962 | Over 5,5 kW |
| 14 | Pump body | 151302492 | -> 10SVV-P |
| 15 | Diffuser | 152803132 | |
| 16 | Last stage diffuser | 152803032 | |
| 17 | First stage box | 152802932 | |
| *21 | OR | EPDM | KL02AA4 |
| | | FPM | KL02AA5 |
| | | FEP | KL02AA6 |
| 24 | Motor flange | - | |
| 25 | Kit oval flange OR EPDM | - | |
| | Kit oval flange OR FPM | - | |
| 30 | Bush seal kit | KL41AA2 | |

Service Kit

| | | | | | | | | |
|---|-----------------------|-----|-----------|-----------|-----------|-----------|-----------|-----------|
| - | Pump stack 10SVN EPDM | TbD | 102883334 | 102883374 | 102883414 | 102883434 | 102883474 | 102883494 |
|---|-----------------------|-----|-----------|-----------|-----------|-----------|-----------|-----------|

TbD: Part Number To be Defined

* Recommended spare parts - Parti di ricambio consigliate

* Pièces détachées conseillées - Empfohlene Ersatzteile

** Motor spare parts: see motor lists - Parti di ricambio motore: vedi liste motore

** Pièces détachées Moteur : voir listes moteur - Motor-Ersatzteile: gem. Motorlisten

15SV P 2 Pole

| ELP 2P | | 15SV08P075 | 15SV09P075 | 15SV10P110 | 15SV11P110 | 15SV13P110 | 15SV15P150 | 15SV17P150 |
|-----------|------|------------|------------|------------|------------|------------|------------|------------|
| P Version | M ~> | | | | | | | |
| | T ~> | 1016L147A | 1016L148A | 1016L149A | 1016L150A | 1016L152A | 1016L154A | 1016L156A |

Single Unit and Kit

| | | | | | | | | |
|----|------------------|------------|------------|------------|------------|------------|------------|------------|
| 10 | Sleeve PN40 A316 | 156503332 | 156503352 | 156503372 | 156503392 | 156503432 | 156503472 | 156503512 |
| 11 | Shaft A316 | 165051152B | 165051172B | 165051192B | 165051212B | 165051252B | 165051292B | 165051332B |
| 31 | Tie rods SVN Kit | KL22AQ7 | KL22AQ9 | KL22ARB | KL22ARD | KL22ARH | KL22ARM | KL22ARP |

Motor, Coupling, Motor Adaptor

| Motor power kW > | 7,5 | 7,5 | 11,0 | 11,0 | 11,0 | 15,0 | 15,0 |
|------------------|-----|-----|------|------|------|------|------|
|------------------|-----|-----|------|------|------|------|------|

| | | | | |
|-----|-----------------|-----------|-----------|-----------|
| **1 | kW -> | 7,5 | 11,0 | 15,0 |
| | Motor 2 P, 1~> | | | |
| | Motor 2 P, 3 ~> | 50017VB00 | 50019VE00 | 50024VB00 |
| 2 | Adaptor | 161470860 | 161470880 | 161470880 |
| 23 | Lifting bracket | 161441050 | 161441060 | 161441060 |
| 26 | Coupling | KL10ABZ | KL10AB0 | KL10AB0 |
| 27 | Coupling guard | KL33AAU | KL33AAU | KL33AAU |

Wear Parts Kit

| | ->15SV11 | ->15SV17 |
|------------------|-----------|-----------|
| up to model (->) | 2 bearing | 3 bearing |
| *34 Wear parts | KL35AFB | KL35AFC |

Mechanical seal Kit : Mech seal D16 + OR

| | | | | |
|-----|-------------|---------|---------|--|
| *20 | Materials-> | Q1BEGG | KL01AD7 | Std -> Seal Q1BEGG - OR EPDM / Balanced PN40 |
| | | Q1Q1EGG | KL01AD3 | |
| | | Q1BVGG | KL01AD2 | |
| | | Q1Q1VGG | KL01AD4 | |
| | | Q1CTGG | TBD | |
| | | Q1Q1TGG | TBD | |

Common, Single Unit and Kit

| | | | |
|-----|-------------------------|-----------|-----------------------|
| 3 | Base | 161431350 | -> 15-22SV |
| 4 | Plugs | EPDM | KL34AAK |
| | | FPM | KL34AAL |
| | | FEP | KL34AAM |
| 5 | Upper holder | - | Up to 4,0 kW included |
| | | 160103722 | Over 5,5 kW |
| *9 | Impeller 15SV A316 | 150703642 | |
| 13 | Seal housing disc | 150102942 | Up to 4,0 kW included |
| | | 150102962 | Over 5,5 kW |
| 14 | Pump body | 151302492 | -> 15SVV-P |
| 15 | Diffuser | 152803152 | |
| 16 | Last stage diffuser | 152803052 | |
| 17 | First stage box | 152802952 | |
| *21 | OR | EPDM | KL02AA4 |
| | | FPM | KL02AA5 |
| | | FEP | KL02AA6 |
| 24 | Motor flange | - | |
| 25 | Kit oval flange OR EPDM | - | |
| | Kit oval flange OR FPM | - | |
| 30 | Bush seal kit | KL41AA2 | |

Service Kit

| | | | | | | | | |
|---|-----------------------|-----------|-----------|-----------|-----------|-----------|-----------|-----------|
| - | Pump stack 15SVN EPDM | 102883704 | 102883724 | 102883744 | 102883764 | 102883804 | 102883844 | 102883884 |
|---|-----------------------|-----------|-----------|-----------|-----------|-----------|-----------|-----------|

* Recommended spare parts - Parti di ricambio consigliate

* Pièces détachées conseillées - Empfohlene Ersatzteile

** Motor spare parts: see motor lists - Parti di ricambio motore: vedi liste motore

** Pièces détachées Moteur : voir listes moteur - Motor-Ersatzteile: gem. Motorlisten

22SV P 2 Pole

| | | | | | |
|-----------|------------|------------|------------|------------|------------|
| ELP 2P | | | | | |
| P Version | 22SV09P110 | 22SV10P110 | 22SV12P150 | 22SV14P150 | 22SV17P185 |
| | M ~> | | | | |
| | T ~> | 1016L169A | 1016L170A | 1016L172A | 1016L174A |

Single Unit and Kit

| | | | | | | |
|----|------------------|------------|------------|------------|------------|------------|
| 10 | Sleeve PN40 A316 | 156503352 | 156503372 | 156503412 | 156503452 | 156503512 |
| 11 | Shaft A316 | 165051172B | 165051192B | 165051232B | 165051272B | 165051332B |
| 31 | Tie rods SVN Kit | KL22AQ9 | KL22ARB | KL22ARF | KL22ARL | KL22ARP |

Motor, Coupling, Motor Adaptor

| | | | | | |
|------------------|------|------|------|------|------|
| Motor power kW > | 11,0 | 11,0 | 15,0 | 15,0 | 18,5 |
|------------------|------|------|------|------|------|

| | | | | |
|-----|-----------------|-----------|-----------|-----------|
| **1 | kW -> | 11,0 | 15,0 | 18,5 |
| | Motor 2 P, 1~> | | | |
| | Motor 2 P, 3-> | 50019VE00 | 50024VB00 | 50025VB00 |
| 2 | Adaptor | 161470880 | 161470880 | 161470880 |
| 23 | Lifting bracket | 161441060 | 161441060 | 161441060 |
| 26 | Coupling | KL10AB0 | KL10AB0 | KL10AB0 |
| 27 | Coupling guard | KL33AAU | KL33AAU | KL33AAU |

Wear Parts Kit

| | | |
|------------------|-----------|-----------|
| | ->22SV11 | ->22SV17 |
| up to model (->) | 2 bearing | 3 bearing |
| *34 Wear parts | KL35AFB | KL35AFC |

Mechanical seal Kit : Mech seal D16 + OR

| | | | | |
|-----|-------------|---------|---------|--|
| *20 | Materials-> | Q1BEGG | KL01AD7 | Std -> Seal Q1BEGG - OR EPDM / Balanced PN40 |
| | | Q1Q1EGG | KL01AD3 | |
| | | Q1BVGG | KL01AD2 | |
| | | Q1Q1VGG | KL01AD4 | |
| | | Q1CTGG | TBD | |
| | | Q1Q1TGG | TBD | |

Common, Single Unit and Kit

| | | | |
|-----|-------------------------|-----------|-----------------------|
| 3 | Base | 161431350 | -> 15-22SV |
| 4 | Plugs | EPDM | KL34AAK |
| | | FPM | KL34AAL |
| | | FEP | KL34AAM |
| 5 | Upper holder | - | Up to 4,0 kW included |
| | | 160103722 | Over 5,5 kW |
| *9 | Impeller 22SV A316 | 150703652 | |
| 13 | Seal housing disc | 150102942 | Up to 4,0 kW included |
| | | 150102962 | Over 5,5 kW |
| 14 | Pump body | 151302492 | -> 22SVV-P |
| 15 | Diffuser | 152803152 | |
| 16 | Last stage diffuser | 152803052 | |
| 17 | First stage box | 152802952 | |
| *21 | OR | EPDM | KL02AA4 |
| | | FPM | KL02AA5 |
| | | FEP | KL02AA6 |
| 24 | Motor flange | - | |
| 25 | Kit oval flange OR EPDM | - | |
| | | - | |
| 30 | Bush seal kit | KL41AA2 | |

Service Kit

| | | | | | | |
|---|-----------------------|-----------|-----------|-----------|-----------|-----------|
| - | Pump stack 22SVN EPDM | 102884124 | 102884144 | 102884184 | 102884224 | 102884284 |
|---|-----------------------|-----------|-----------|-----------|-----------|-----------|

* Recommended spare parts - Parti di ricambio consigliate

* Pièces détachées conseillées - Empfohlene Ersatzteile

** Motor spare parts: see motor lists - Parti di ricambio motore: vedi liste motore

** Pièces détachées Moteur : voir listes moteur - Motor-Ersatzteile: gem. Motorlisten