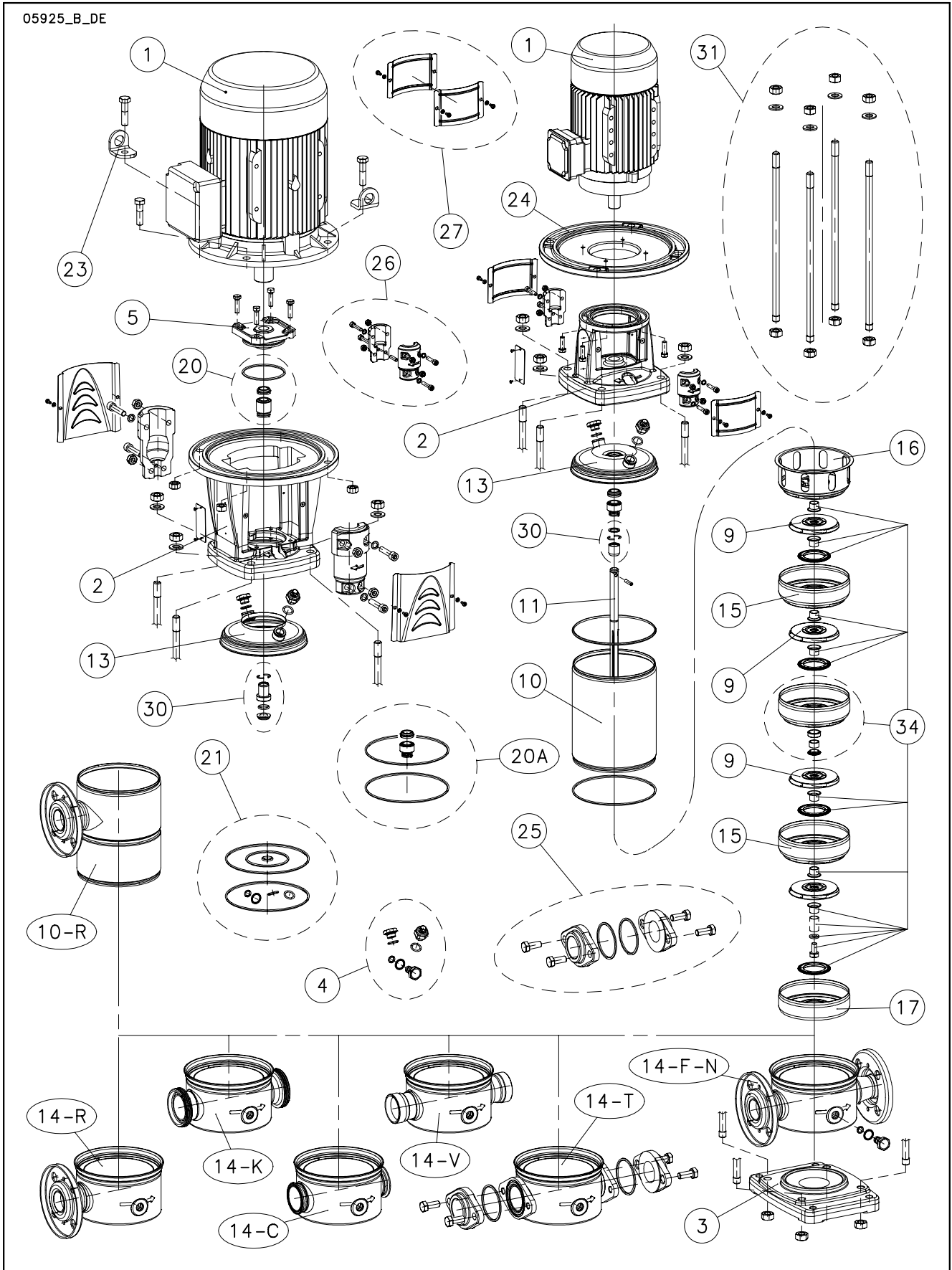


1, 3, 5, 10, 15, 22SV



Lowara and Vogel Pumpen are a trademark of Xylem Inc. or one of its subsidiaries. Goulds is a registered trademark of Goulds Pumps, Inc. and is used under license.

| N. | Descrizione It | Description en | Description fr | Beschreibung de | Descripción es | Descrição pt |
|----|---------------------------------|---|--------------------------------------|---|---------------------------------|-------------------------------|
| 1 | Motore | Motor | Moteur | Motor | Motor | Motor |
| 2 | Lanterna | Adaptor | Lanterne | Motorlanterne | Adaptador | Adaptador |
| 3 | Base | Basement | Base | Untersatz | Base | Base |
| 4 | Tappi | Plugs | Bouchons | Stopfen | Tapones | Tampões |
| 5 | Portatenuta superiore | Upper holder | Disque supérieure | Oberer dichtungsdeckel | Disco superior | Disco superior |
| 9 | Girante | Impeller | Roue | Laufrad | Rodete | Impulsor |
| 10 | Camicia | Sleeve | Chemise | Gehäuse | Camisa | Camisa |
| 11 | Albero | Shaft | Arbre | Welle | Árbol | Veio |
| 13 | Disco porta tenuta | Seal housing disc | Disque de garniture | Dichtungsdeckel | Disco de alojamiento sello | Disco porta-vedante |
| 14 | Corpo pompa | Pump body | Corps de pompe | Pumpengehäuse | Caja bomba | Corpo da bomba |
| 15 | Diffusore | Diffuser | Diffuseur | Diffusor | Difusor | Difusor |
| 16 | Diffusore finale | Last stage diffuser | Diffuseur dernier étage | Enddiffusor | Difusor final | Difusor final |
| 17 | Scatola stadio iniziale | Initial stage box | Box premier étage | Erste Stufe Diffusor | Caja etapa inicial | Carcaça primeira célula |
| 20 | Kit tenuta mecc. + OR | Mechanical seal + OR kit | Kit garniture mec. + joints toriques | Gleitringdichtung + O-Ring [Satz] | Kit sello mec. + junta tórica | Kit vedante mec. + OR |
| 21 | Kit guarnizioni OR | O ring kit | Kit joints toriques | Dichtungssatz | Kit juntas tóricas | Kit guarnições OR |
| 23 | Staffa sollevamento | Lifting bracket | Support de levage | Hebeösen | Soporte de elevación | Suporte de suspensão |
| 24 | Flangia motore | Motor flange | Bride moteur | Motorflansch | Brida motor | Flange motor |
| 25 | Kit controflangia ovale | O val counterflange kit | Kit contrebride ovale | Gegenflansch oval [Satz] | Kit contrabrida oval | Kit contraflange oval |
| 26 | Kit coppia di semigiunti | Pair of half coupling kit | Kit paire de demi-manchons | Kupplung [Satz] | Kit par de semijuntas | Kit par de semi-juntas |
| 27 | Kit protezione giunto | Coupling guard kit | Kit protection manchon | Kupplungsschutz [Satz] | Kit protección junta | Kit protecção junta |
| 30 | Kit bussola tenuta | Bush seal kit | Kit douille garniture | Gleitringdichtungsarretierung und mitnehmer | Kit casquillo sello | kit bucha vedante |
| 31 | Kit tiranti | Tie rods kit | Kit tirants | Zugstangen [Satz] | Kit tirantes | Kit tirantes |
| 34 | Kit parti di usura | Wear parts kit | Kit parties d'usure | Verschleißteile [Satz] | Kit piezas de desgaste | Kit peças desgastáveis |
| N. | Beschrijving nl | Περιγραφή el | Açıklama tr | Kuvaus fi | Описание ru | Opis pl |
| 1 | Motor | Πλήρης κινητήρας | Motor | Moottori | Двигатель | Silnik |
| 2 | Lantaarnstuk | Μπρακέτο | Adaptör | Sovitin | Крестовина | Piasta |
| 3 | Pompvoet | Βάση | Kaide | Perusta | Основание | Podstawa |
| 4 | Pluggen | Σετ ταπών | Tapalar | Tulpat | Пробки | Zatyczki |
| 5 | Bovenste plaat | Ανώτερος δίσκος | Üst disk | Ylempi levy | Верхний держатель дисков | Tarcza górna |
| 9 | Waaier | στροφέιο | Pompa rotoru | Juoksupyöriä | рабочее колесо | Wirnik |
| 10 | Mantel | Κέλυφος | Gömlük | Muhvi | Муфта | Plaszcz |
| 11 | As | Άξονας | Mil | Akseli | Вал | Wał |
| 13 | Dichtingssteenplaat | Δίσκος μηχανικού στυποθλιπτή | Sızdırmazlık elemanı disk | Tiivisteenn kannatuslevy | Пластина держателя прокладки | Tarcza uszczelki |
| 14 | Pomphuis | Σώμα αντλίας | Pompa gövdesi | Pumpun runko | Корпус насоса | Korpus pompy |
| 15 | Diffusor | Πτερύγιο εκτροπής | Difüzör | Diffusori | Диффузор | Dyfuzor |
| 16 | Diffusor laatste trap | Τελευταίο πτερύγιο εκτροπής | Son difüzör | Loppuvaiheen diffusori | Конечный диффузор | Dyfuzor końcowy |
| 17 | Kast eerste trap | Πρώτο πτερύγιο εκτροπής | İlk kademe kutusu | Ensivaiheen laatikko | Коробка начальной стадии | Skrzynka początkowego stadium |
| 20 | Set mech. asafdichting + O-ring | Μηχανικός στυποθλιπτής και ροδέλες στεγανοποίησης | Mekanik salmastra kiti + O-Ring | Mek. tiiviste + O-rengassarja | Комплект мех. прокладки + OR | Zestaw uszcz. mech. + OR |
| 21 | Set O-ringafdichtingen | Σετ ροδέλες στεγανοποίησης | O-Ring kiti | O-rengassarja | Комплект кольцевых прокладок OR | Zestaw uszczeliek OR |
| 23 | Hijz steun | Άρση αγκύλη | Dirsek Kaldırma | Nosto ylätuki | Подъемные кронштейн | Podnoszenia wspornik |
| 24 | Motorflens | Μπρακέτο κινητήρα | Motor flanş | Moottorin laippa | Фланец двигателя | Kolnierz silnika |
| 25 | Set ovale flenzen | Σετ Οβάλ φλάντζα | Oval flanş kiti | Soikeiden vastalajpojen sarja | Комплект Овальный фланец | Zestaw Kolnierz owalnych |
| 26 | Set koppelingshefften | Σετ σταθερού συνδέσμου | Çift yanım manşon kiti | Liitinsarja | Комплект пары полумуфт | Zestaw pary półzłączy |
| 27 | Set koppelingsbescherming | Καλύμματα προστασίας σταθερού συνδέσμου | Manşon koruma kiti | Liitoksen suojuussarja | Комплект защиты муфт | Zestaw ochrony złączy |
| 30 | Set afdichtingsbus | Σετ κουζινέτου μηχανικού στυποθλιπτή | Sızdırmazlık elemanı burcu kiti | Holkki ja tiiviste | Комплект втулки уплотнения | Zestaw busoli uszczel. |
| 31 | Set trekstangen | Σετ ράβδων σύνδεσης | Gergi çubuğu kiti | Vetotankosarja | Комплект тяг | Zestaw napinaczy |
| 34 | Set slijtonderdelen | Σετ δακτυλίων τριβής | Aşınma parçaları kiti | Kulumisiosien sarja | Комплект изнашиваемых частей | Zestaw części podl. zużyciu |

1SV N 2 Pole (1SVN/D: motors IE3 fitted)

Production date >Sept 2011

| ELP 2 P | | 1SV02N003 | 1SV03N003 | 1SV04N003 | 1SV05N003 | 1SV06N003 | 1SV07N003 | 1SV08N005 | 1SV09N005 | 1SV10N005 | 1SV11N005 |
|-----------|---------------|-----------|-----------|-----------|-----------|-----------|-----------|-----------|-----------|-----------|-----------|
| N Version | M -> | 1016L1834 | 1016L1844 | 1016L1854 | 1016L1864 | 1016L1874 | 1016L1884 | 1016L1894 | 1016L1904 | 1016L1914 | 1016L1924 |
| | T(IE1) -> | 1016L0014 | 1016L0024 | 1016L0034 | 1016L0044 | 1016L0054 | 1016L0064 | 1016L0074 | 1016L0084 | 1016L0094 | 1016L0104 |
| M -> | | 1016L1934 | 1016L1944 | 1016L1964 | 1016L1984 | 1016L2004 | 1016L2034 | 1016L2064 | 1016L2084 | 1016L2114 | 1016L2134 |
| | T(IE1-IE2) -> | 1016L0114 | 1016L0124 | 1016L0144 | 1016L0164 | 1016L0184 | 1016L0214 | 1016LA024 | 1016LA044 | 1016LA074 | 1016LA094 |
| T(IE3) -> | | 1016LC114 | 1016LC124 | 1016LC144 | 1016LC164 | 1016LC184 | 1016LC214 | 1016LC244 | 1016LC264 | 1016LC294 | 1016LC314 |
| | | 1016LC334 | 1016LC364 | | | | | | | | |
| M -> | | 1016L2154 | 1016L2184 | | | | | | | | |
| | T(IE2) -> | 1016LA114 | 1016LA144 | | | | | | | | |
| T(IE3) -> | | | | | | | | | | | |

Single Unit and Kit

| | | | | | | | | | | | | |
|----|---------------------|-----------|-----------|-----------|-----------|-----------|-----------|-----------|-----------|-----------|-----------|--|
| 10 | Sleeve A316 PN25 | 166443042 | 166443042 | 166443062 | 166443072 | 166443082 | 166443102 | 166443122 | 166443142 | 166443152 | 166443162 | |
| | | 166443182 | 166443202 | 166443232 | 166443262 | 166443302 | 166443342 | 166443392 | 166443422 | 166443472 | 166443502 | |
| | | 166443542 | 166443582 | | | | | | | | | |
| 11 | Shaft A316 PN25 | 165050042 | 165050042 | 165050062 | 165050072 | 165050082 | 165050102 | 165050122 | 165050142 | 165050152 | 165050162 | |
| | | 165050182 | 165050202 | 165050232 | 165050262 | 165050302 | 165050342 | 165050392 | 165050422 | 165050482 | 165050522 | |
| | | 165050552 | 165050602 | | | | | | | | | |
| 31 | Tie rods SVN kit | KL22ANY | KL22ANY | KL22ANZ | KL22ANO | KL22AN1 | KL22AN2 | KL22ACP | KL22AN4 | KL22AN5 | KL22AN6 | |
| | | KL22AN7 | KL22ACT | KL22APA | KL22APC | KL22APD | KL22APF | KL22APH | KL22APW | KL22APM | KL22APP | |
| | | KL22APR | KL22APS | | | | | | | | | |

Motor, Coupling, Motor adaptor

| Motor power kW > | 0,37 | 0,37 | 0,37 | 0,37 | 0,37 | 0,37 | 0,55 | 0,55 | 0,55 | 0,55 |
|---------------------|------|------|------|------|------|------|------|------|------|------|
| | 0,75 | 0,75 | 0,75 | 1,1 | 1,1 | 1,1 | 1,5 | 1,5 | 1,5 | 2,2 |
| | 2,2 | 2,2 | | | | | | | | |

| | | | | | | | |
|-----|-------------------------------|-----------|-----------|-----------|-----------|-----------|-----------|
| **1 | kW > | 0,37 | 0,55 | 0,75 | 1,1 | 1,5 | 2,2 |
| | Motor 2P, 1 -> | 107230020 | 107230040 | 107230100 | 107230120 | 107230180 | 50004HD00 |
| | Motor 2P, 3-,IE2 since 0.75kW | 107230060 | 107230080 | 107230150 | 107230500 | 107240000 | 107240500 |
| | Motor 2P, 3-,IE3 since 0.75kW | 107230060 | 107230080 | 107234000 | 107234010 | 107234020 | 50A01RD00 |
| 2 | Adaptor | 161470700 | 161470700 | 161470720 | 161470720 | 161470740 | 161470740 |
| 23 | Lifting bracket | - | - | - | - | - | - |
| 26 | Coupling | KL10ABC | KL10ABC | KL10ABD | KL10ABD | KL10ABE | KL10ABE |
| 27 | Coupling guard | KL33AAM | KL33AAM | KL33AAN | KL33AAN | KL33AAP | KL33AAP |

Wear Parts kit

| up to model (->) | -> 1SV10 | -> 1SV20 | -> 1SV27 | -> 1SV35 | -> 1SV38 | |
|------------------|------------|-----------|-----------|-----------|-----------|-----------|
| *34 | Wear parts | 1 bearing | 2 bearing | 3 bearing | 4 bearing | 5 bearing |
| | | KL35AEX | KL35AEY | KL35AEZ | KL35AEO | KL35AE1 |

Mechanical seal Kit : Mech seal D12 + sleeve OR

| | | | | |
|------|--------------|---------|---------|--|
| *20A | Materials -> | Q1BEGG | KL01AAD | Std -> Seal Q1BEGG - OR EPDM sleeve / Unbalanced |
| | | Q1Q1EGG | KL01AC7 | |
| | | Q1BVGG | KL01AAG | |
| | | Q1Q1VGG | KL01AC9 | |
| | | Q1CTGG | KL01ADB | |
| | | Q1Q1TGG | KL01ADD | |

Common, Single Unit and kit

| | | | |
|-----|-------------------------|-----------|-------------------|
| 3 | Base | 161431310 | -> 1-3-5 SV N-V-K |
| 4 | Plugs | EPDM | KL34AAK |
| | | FPM | KL34AAL |
| | | FEP | KL34AAM |
| 5 | Upper holder | - | |
| *9 | Impeller 1SV A316 | 150703602 | |
| 13 | Seal housing disc | 150102922 | |
| 14 | Pump body | 151302322 | -> 1-3SVN |
| 15 | Diffuser | 152803112 | |
| 16 | Last stage diffuser | 152803012 | |
| 17 | First stage box | 152802912 | |
| *21 | OR | EPDM | KL02AA1 |
| | | FPM | KL02AA2 |
| | | FEP | KL02AA3 |
| 24 | Motor flange | - | |
| 25 | Kit oval flange OR EPDM | - | |
| | Kit oval flange OR FPM | - | |
| 30 | Impellers retainer | KL41AAZ | |

* Recommended spare parts - Parti di ricambio consigliate

** Pièces détachées conseillées - Empfohlene Ersatzteile

** Motor spare parts: see motor lists - Parti di ricambio motore: vedi liste motore

** Pièces détachées Moteur : voir listes moteur - Motor-Ersatzteile: gem. Motorlisten

1-22SVN_5_Sept11_EdD

1SV N 4 Pole

| ELP 4 P, 3 ~ | | | | | | | | | | |
|--------------|------------|------------|------------|------------|------------|------------|------------|------------|------------|------------|
| N Version | 1SV02N0024 | 1SV05N0024 | 1SV08N0024 | 1SV11N0024 | 1SV15N0024 | 1SV19N0024 | 1SV22N0024 | 1SV27N0024 | 1SV30N0024 | 1SV34N0024 |
| T ~ > | 1016L2894 | 1016L2924 | 1016L2954 | 1016L2984 | 1016L3024 | 1016L3064 | 1016L3094 | 1016L3144 | 1016L3174 | 1016L3214 |
| | 1SV37N0024 | | | | | | | | | |
| T ~ > | 1016L3244 | | | | | | | | | |

Single Unit and Kit

| | | | | | | | | | | | |
|----|------------------|-----------|-----------|-----------|-----------|-----------|-----------|-----------|-----------|-----------|-----------|
| 10 | Sleeve A316 | 166443042 | 166443072 | 166443122 | 166443162 | 166443232 | 166443302 | 166443342 | 166443422 | 166443472 | 166443542 |
| | | 166443582 | | | | | | | | | |
| 11 | Shaft A316 | 165050042 | 165050072 | 165050122 | 165050162 | 165050232 | 165050302 | 165050342 | 165050422 | 165050482 | 165050552 |
| | | 165050602 | | | | | | | | | |
| 31 | Tie rods SVN kit | KL22ANY | KL22AN0 | KL22ACP | KL22AN6 | KL22APA | KL22APD | KL22APF | KL22APK | KL22APM | KL22APR |
| | | KL22APS | | | | | | | | | |

Motor, Coupling, Motor Adaptor

| Motor power kW> | 0,25 | 0,25 | 0,25 | 0,25 | 0,25 | 0,25 | 0,25 | 0,25 | 0,25 | 0,25 |
|-----------------|------|------|------|------|------|------|------|------|------|------|
| | 0,25 | | | | | | | | | |

| | | |
|-----|-----------------|------------------|
| **1 | kW > | 0.25 kW |
| | Motor 4P, 3 ~ > | 107230640 |
| 2 | Adaptor | 161470700 |
| 23 | Lifting bracket | - |
| 26 | Coupling | KL10ABC |
| 27 | Coupling guard | KL33AAM |

Wear Parts kit

| up to model (- >) | - > 1SV10 | - > 1SV20 | - > 1SV27 | - > 1SV35 | - > 1SV38 | |
|-------------------|------------|-----------|-----------|-----------|-----------|---------|
| | 1 bearing | 2 bearing | 3 bearing | 4 bearing | 5 bearing | |
| *34 | Wear parts | KL35AEX | KL35AEY | KL35AEZ | KL35AE0 | KL35AE1 |

Mechanical seal Kit : Mech seal D12 + sleeve OR

| | | | | |
|------|--------------|---------|---------|------------------------------|
| *20A | Materials -> | Q1BEGG | KL01AAD | Std -> Seal Q1BEGG - OR EPDM |
| | | Q1Q1EGG | KL01AC7 | |
| | | Q1BVGG | KL01AAG | |
| | | Q1Q1VGG | KL01AC9 | |
| | | Q1CTGG | KL01ADB | |
| | | Q1Q1TGG | KL01ADD | |

Common, Single Unit and kit

| | | | | |
|-----|---------------------|------|-----------|------------------|
| 3 | Base | | 161431310 | -> 1-3-5SV N-V-K |
| 4 | Plugs | EPDM | KL34AAK | |
| | | FPM | KL34AAL | |
| | | FEP | KL34AAM | |
| 5 | Upper holder | | - | |
| *9 | Impeller 1SV A316 | | 150703602 | |
| 13 | Seal housing disc | | 150102922 | |
| 14 | Pump body | | 151302322 | -> 1-3SVN |
| 15 | Diffuser | | 152803112 | |
| 16 | Last stage diffuser | | 152803012 | |
| 17 | First stage box | | 152802912 | |
| *21 | OR | EPDM | KL02AA1 | |
| | | FPM | KL02AA2 | |
| | | FEP | KL02AA3 | |
| 24 | Motor flange | | - | |
| 30 | Impellers retainer | | KL41AAZ | |

Parts 1-3SV with less impellers

-> both SV el.pumps 2 - 4 Pole

| | | |
|--|-------------------------------|-----------|
| | Impeller spacer | 162503412 |
| | Spacer in place of impeller | 162503832 |
| | Diffuser box empty | 162801612 |
| | Last stage diffuser box empty | 162801722 |

* Recommended spare parts - Parti di ricambio consigliate

* Pièces détachées conseillées - Empfohlene Ersatzteile

** Motor spare parts: see motor lists - Parti di ricambio motore: vedi liste motore

** Pièces détachées Moteur : voir listes moteur - Motor-Ersatzteile: gem. Motorlisten

3SV N 2 Pole (3SVND: motors IE3 fitted)

Production date >Sept 2011

| ELP 2 P | | 3SV02N003 | 3SV03N003 | 3SV04N003 | 3SV05N005 | 3SV06N005 | 3SV07N007 | 3SV08N007 | 3SV09N011 | 3SV10N011 | 3SV11N011 |
|---------------|---------------|-----------|-----------|-----------|-----------|-----------|-----------|-----------|-----------|-----------|-----------|
| N Version | M -> | 1016L2234 | 1016L2244 | 1016L2254 | 1016L2264 | 1016L2274 | 1016L2284 | 1016L2294 | 1016L2304 | 1016L2314 | 1016L2324 |
| | T(IE1-IE2) -> | 1016L0424 | 1016L0434 | 1016L0444 | 1016L0454 | 1016L0464 | 1016L0474 | 1016L0484 | 1016L0494 | 1016L0504 | 1016L0514 |
| T(IE1-IE3) -> | | 1016L0424 | 1016L0434 | 1016L0444 | 1016L0454 | 1016L0464 | 1016L0474 | 1016L0484 | 1016L0494 | 1016L0504 | 1016L0514 |
| | | 1016L0424 | 1016L0434 | 1016L0444 | 1016L0454 | 1016L0464 | 1016L0474 | 1016L0484 | 1016L0494 | 1016L0504 | 1016L0514 |
| M -> | | 3SV12N011 | 3SV13N015 | 3SV14N015 | 3SV16N015 | 3SV19N022 | 3SV21N022 | 3SV23N022 | 3SV25N022 | 3SV27N030 | 3SV29N030 |
| | | 1016L2334 | 1016L2344 | 1016L2354 | 1016L2374 | 1016L2404 | 1016L2424 | 1016L2444 | 1016L2464 | | |
| T(IE2) -> | | 1016L0524 | 1016LA194 | 1016LA204 | 1016LA224 | 1016LA254 | 1016LA274 | 1016LA294 | 1016LA314 | 1016LA334 | 1016LA354 |
| | | 1016L0524 | 1016LA194 | 1016LA204 | 1016LA224 | 1016LA254 | 1016LA274 | 1016LA294 | 1016LA314 | 1016LA334 | 1016LA354 |
| T(IE3) -> | | 1016LC524 | 1016LC534 | 1016LC544 | 1016LC564 | 1016LC594 | 1016LC614 | 1016LC634 | 1016LC654 | 1016LC674 | 1016LC694 |
| | | 1016LC524 | 1016LC534 | 1016LC544 | 1016LC564 | 1016LC594 | 1016LC614 | 1016LC634 | 1016LC654 | 1016LC674 | 1016LC694 |
| M -> | | 3SV31N030 | 3SV33N030 | | | | | | | | |
| | | 1016LA374 | 1016LA394 | | | | | | | | |
| T(IE2) -> | | 1016LA374 | 1016LA394 | | | | | | | | |
| | | 1016LC714 | 1016LC734 | | | | | | | | |
| T(IE3) -> | | 1016LC714 | 1016LC734 | | | | | | | | |
| | | 1016LC714 | 1016LC734 | | | | | | | | |

Single Unit and Kit

| | | | | | | | | | | | | |
|----|---------------------------|-----------|-----------|-----------|-----------|-----------|-----------|-----------|-----------|-----------|-----------|--|
| 10 | Sleeve A316 PN 25 | 166443042 | 166443042 | 166443062 | 166443072 | 166443082 | 166443102 | 166443122 | 166443142 | 166443152 | 166443162 | |
| | | 166443182 | 166443202 | 166443222 | 166443242 | 166443302 | 166443322 | 166443362 | 166443392 | 166443422 | 166443462 | |
| | | 166443482 | 166443522 | | | | | | | | | |
| 11 | Shaft A316 PN 25 | 165050042 | 165050042 | 165050062 | 165050072 | 165050082 | 165050102 | 165050122 | 165050142 | 165050152 | 165050162 | |
| | | 165050182 | 165050202 | 165050222 | 165050242 | 165050302 | 165050322 | 165050362 | 165050392 | 165050422 | 165050472 | |
| | | 165050502 | 165050542 | | | | | | | | | |
| 31 | Tie rods SVN kit PN 25 | KL22ANY | KL22ANY | KL22ANZ | KL22AN0 | KL22AN1 | KL22AN2 | KL22ACP | KL22AN4 | KL22AN5 | KL22AN6 | |
| | | KL22AN7 | KL22ACT | KL22AN9 | KL22APB | KL22APD | KL22APE | KL22APG | KL22APH | KL22APK | KL22APL | |
| | | KL22APN | KL22APQ | | | | | | | | | |

Motor, Coupling, Motor adaptor

| Motor power kW > | 0,37 | 0,37 | 0,37 | 0,55 | 0,55 | 0,75 | 0,75 | 1,1 | 1,1 | 1,1 |
|---------------------|------|------|------|------|------|------|------|-----|-----|-----|
| | 1,1 | 1,5 | 1,5 | 1,5 | 2,2 | 2,2 | 2,2 | 2,2 | 3,0 | 3,0 |
| | 3,0 | 3,0 | | | | | | | | |

| | | | | | | | | |
|-----|-------------------------------|-----------|-----------|-----------|-----------|-----------|-----------|-----------|
| **1 | kW > | 0,37 | 0,55 | 0,75 | 1,1 | 1,5 | 2,2 | 3,0 |
| | Motor 2P, 1 ~> | 107230020 | 107230040 | 107230100 | 107230120 | 107230180 | 50004HD00 | |
| | Motor 2P, 3~,IE2 since 0.75kW | 107230060 | 107230080 | 107230150 | 107230500 | 107240000 | 107240500 | 107241000 |
| | Motor 2P, 3~,IE3 since 0.75kW | 107230060 | 107230080 | 107234000 | 107234010 | 107234020 | 50A01RD00 | 50A02RF00 |
| 2 | Adaptor | 161470700 | 161470700 | 161470720 | 161470720 | 161470740 | 161470740 | 161470760 |
| 23 | Lifting bracket | - | - | - | - | - | - | - |
| 26 | Coupling | KL10ABC | KL10ABC | KL10ABD | KL10ABD | KL10ABE | KL10ABE | KL10ABF |
| 27 | Coupling guard | KL33AAM | KL33AAM | KL33AAN | KL33AAN | KL33AAP | KL33AAP | KL33AAQ |

Wear Parts kit

| up to model (->) | -> 3SV10 | -> 3SV20 | -> 3SV27 | -> 3SV35 | |
|------------------|------------|-----------|-----------|-----------|-----------|
| *34 | Wear parts | 1 bearing | 2 bearing | 3 bearing | 4 bearing |
| | | KL35AEX | KL35AEY | KL35AEZ | KL35AE0 |

Mechanical seal Kit : Mech seal D12 + sleeve OR

| | | | | |
|------|--------------|---------|---------|--|
| *20A | Materials -> | Q1BEGG | KL01AAD | Std -> Seal Q1BEGG - OR EPDM Sleeve / Unbalanced |
| | | Q1Q1EGG | KL01AC7 | |
| | | Q1BVGG | KL01AAG | |
| | | Q1Q1VGG | KL01AC9 | |
| | | Q1CTGG | KL01ADB | |
| | | Q1Q1TGG | KL01ADD | |

Common, Single Unit and kit

| | | | |
|-----|-------------------------|-----------|-------------------|
| 3 | Base | 161431310 | -> 1-3-5 SV N-V-K |
| 4 | Plugs | EPDM | KL34AAK |
| | | FPM | KL34AAL |
| | | FEP | KL34AAM |
| 5 | Upper holder | - | |
| *9 | Impeller 3SV A316 | 150703612 | |
| 13 | Seal housing disc | 150102922 | |
| 14 | Pump body | 151302322 | -> 1-3SV N |
| 15 | Diffuser | 152803112 | |
| 16 | Last stage diffuser | 152803012 | |
| 17 | First stage box | 152802912 | |
| *21 | OR | EPDM | KL02AA1 |
| | | FPM | KL02AA2 |
| | | FEP | KL02AA3 |
| 24 | Motor flange | - | |
| 25 | Kit oval flange OR EPDM | - | |
| | | - | |
| 30 | Impellers retainer | KL41AAZ | |

* Recommended spare parts - Parti di ricambio consigliate

** Pièces détachées conseillées - Empfohlene Ersatzteile

** Motor spare parts: see motor lists - Parti di ricambio motore: vedi liste motore

** Pièces détachées Moteur : voir listes moteur - Motor-Ersatzteile: gem. Motorlisten

1-22SVN_5_Sept11_EdD

3SV N 4 Pole

| | | | | | | | | | | |
|--------------------|------------|------------|------------|------------|------------|------------|------------|------------|------------|--|
| ELP 4 P, 3 ~ | | | | | | | | | | |
| N Version T ~ > | 3SV02N0024 | 3SV05N0024 | 3SV08N0024 | 3SV11N0024 | 3SV14N0024 | 3SV19N0024 | 3SV23N0024 | 3SV27N0034 | 3SV33N0034 | |
| | 1016L3304 | 1016L3334 | 1016L3364 | 1016L3394 | 1016L3424 | 1016L3474 | 1016L3514 | 1016L3554 | 1016L3614 | |

Single Unit and Kit

| | | | | | | | | | | |
|----|------------------|-----------|-----------|-----------|-----------|-----------|-----------|-----------|-----------|-----------|
| 10 | Sleeve A316 | 166443042 | 166443072 | 166443122 | 166443162 | 166443222 | 166443302 | 166443362 | 166443422 | 166443522 |
| 11 | Shaft A316 | 165050042 | 165050072 | 165050122 | 165050162 | 165050222 | 165050302 | 165050362 | 165050422 | 165050542 |
| 31 | Tie rods SVN kit | KL22ANY | KL22AN0 | KL22ACP | KL22AN6 | KL22AN9 | KL22APD | KL22APG | KL22APK | KL22APQ |

Motor, Coupling, Motor Adaptor

| | | | | | | | | | |
|-----------------|------|------|------|------|------|------|------|------|------|
| Motor power kW> | 0,25 | 0,25 | 0,25 | 0,25 | 0,25 | 0,25 | 0,25 | 0,37 | 0,37 |
|-----------------|------|------|------|------|------|------|------|------|------|

| | | | |
|-----|------------------|------------------|-----------|
| **1 | kW > | 0,25 kW | 0,37 kW |
| | Motor 4P , 3 ~ > | 107230640 | 107230700 |
| 2 | Adaptor | 161470700 | 161470700 |
| 23 | Lifting bracket | - | - |
| 27 | Coupling guard | KL33AAM | KL33AAM |
| 26 | Coupling | KL10ABC | KL10ABC |

Wear Parts kit

| | | | | | |
|------------------|------------|-----------|-----------|-----------|-----------|
| | | -> 3SV10 | -> 3SV20 | -> 3SV27 | -> 3SV35 |
| up to model (->) | | 1 bearing | 2 bearing | 3 bearing | 4 bearing |
| *34 | Wear parts | KL35AEX | KL35AEY | KL35AEZ | KL35AE0 |

Mechanical seal Kit : Mech seal D12 + sleeve OR

| | | | | |
|------|--------------|---------|---------|------------------------------|
| *20A | Materials -> | Q1BEGG | KL01AAD | Std -> Seal Q1BEGG - OR EPDM |
| | | Q1Q1EGG | KL01AC7 | |
| | | Q1BVGG | KL01AAG | |
| | | Q1Q1VGG | KL01AC9 | |
| | | Q1CTGG | KL01ADB | |
| | | Q1Q1TGG | KL01ADD | |

Common, Single Unit and kit

| | | | |
|-----|-----------------------|-----------|------------------|
| 3 | Base | 161431310 | -> 1-3-5SV N-V-K |
| 4 | Plugs | EPDM | KL34AAK |
| | | FPM | KL34AAL |
| | | FEP | KL34AAM |
| 5 | Upper holder | - | |
| *9 | Impeller SVF 3SV A316 | 150703612 | |
| 13 | Seal housing disc | 150102922 | |
| 14 | Pump body | 151302322 | -> 1-3SV N |
| 15 | Diffuser | 152803112 | |
| 16 | Last stage diffuser | 152803012 | |
| 17 | First stage box | 152802912 | |
| *21 | OR | EPDM | KL02AA1 |
| | | FPM | KL02AA2 |
| | | FEP | KL02AA3 |
| 24 | Motor flange | - | |
| 30 | Impellers retainer | KL41AAZ | |

Parts 1-3SV with less impellers

-> both SV el.pumps 2 - 4 Pole

| | | |
|--|-------------------------------|-----------|
| | Impeller spacer | 162503412 |
| | Spacer in place of impeller | 162503832 |
| | Diffuser box empty | 162801612 |
| | Last stage diffuser box empty | 162801722 |

* Recommended spare parts - Parti di ricambio consigliate

* Pièces détachées conseillées - Empfohlene Ersatzteile

** Motor spare parts: see motor lists - Parti di ricambio motore: vedi liste motore

** Pièces détachées Moteur : voir listes moteur - Motor-Ersatzteile: gem. Motorlisten

SSV N 2 Pole (5SVN/D: motors IE3 fitted)

Production date >Sept 2011

| ELP 2 P | | 5SV02N003 | 5SV03N005 | 5SV04N005 | 5SV05N007 | 5SV06N011 | 5SV07N011 | 5SV08N011 | 5SV09N015 | 5SV10N015 | 5SV11N015 |
|-----------|---------------|-----------|-----------|-----------|-----------|-----------|-----------|-----------|-----------|-----------|-----------|
| N Version | M -> | 1016L2514 | 1016L2524 | 1016L2534 | 1016L2544 | 1016L2554 | 1016L2564 | 1016L2574 | 1016L2584 | 1016L2594 | 1016L2604 |
| | T(IE1-IE2) -> | 1016L0794 | 1016L0804 | 1016L0814 | 1016L0824 | 1016L0834 | 1016L0844 | 1016L0854 | 1016LA444 | 1016LA454 | 1016LA464 |
| | T(IE1-IE3) -> | 1016L0794 | 1016L0804 | 1016L0814 | 1016LC824 | 1016LC834 | 1016LC844 | 1016LC854 | 1016LC864 | 1016LC874 | 1016LC884 |
| | | 5SV12N022 | 5SV13N022 | 5SV14N022 | 5SV15N022 | 5SV16N022 | 5SV18N030 | 5SV21N030 | 5SV23N040 | 5SV25N040 | 5SV28N040 |
| | M -> | 1016L2614 | 1016L2624 | 1016L2634 | 1016L2644 | 1016L2654 | | | | | |
| | T(IE2) -> | 1016LA474 | 1016LA484 | 1016LA494 | 1016LA504 | 1016LA514 | 1016LA534 | 1016LA564 | 1016L1004 | 1016L1024 | 1016L1054 |
| | T(IE3) -> | 1016LC894 | 1016LC904 | 1016LC914 | 1016LC924 | 1016LC934 | 1016LC954 | 1016LC984 | 1016LD004 | 1016LD024 | 1016LD054 |
| | | 5SV30N055 | 5SV33N055 | | | | | | | | |
| | M -> | | | | | | | | | | |
| | T(IE2) -> | 1016L1074 | 1016L1104 | | | | | | | | |
| T(IE3) -> | 1016LD074 | 1016LD104 | | | | | | | | | |

Single Unit and Kit

| | | | | | | | | | | | | |
|----|-------------------------|-----------|-----------|-----------|-----------|-----------|-----------|-----------|-----------|-----------|-----------|-----------|
| 10 | Sleeve A316 PN25 | 166443032 | 166443052 | 166443072 | 166443092 | 166443112 | 166443132 | 166443152 | 166443172 | 166443192 | 166443212 | |
| | | 166443232 | 166443252 | 166443272 | 166443292 | 166443312 | 166443332 | 166443352 | 166443372 | 166443392 | 166443412 | 166443432 |
| | | 166443592 | 166443652 | | | | | | | | | |
| 11 | Shaft A316 PN25 | 165050032 | 165050052 | 165050072 | 165050092 | 165050112 | 165050132 | 165050152 | 165050172 | 165050192 | 165050212 | |
| | | 165050232 | 165050252 | 165050272 | 165050292 | 165050312 | 165050332 | 165050412 | 165050452 | 165050492 | 165050552 | |
| | | 165050592 | 165050652 | | | | | | | | | |
| 31 | Tie rods SVN ki PN25 | KL22AP0 | KL22AP1 | KL22AN0 | KL22AP2 | KL22AP3 | KL22AP4 | KL22AN5 | KL22AP5 | KL22AP6 | KL22AP7 | |
| | | KL22APA | KL22AP8 | KL22AP9 | KL22AQA | KL22AQB | KL22AQC | KL22AQD | KL22AQE | KL22AQF | KL22AQG | |
| | | KL22AQH | KL22AQK | | | | | | | | | |

Motor, Coupling, Motor adaptor

| Motor power kW > | 0,37 | 0,37 | 0,55 | 0,55 | 0,75 | 1,1 | 1,1 | 1,5 | 1,5 | 1,5 |
|---------------------|------|------|------|------|------|-----|-----|-----|-----|-----|
| | 2,2 | 2,2 | 2,2 | 2,2 | 2,2 | 3,0 | 3,0 | 4,0 | 4,0 | 4,0 |
| | 5,5 | 5,5 | | | | | | | | |

| | | | | | | | | | | |
|-----|------------------------------|-----------|-----------|-----------|-----------|-----------|-----------|-----------|-----------|-----------|
| **1 | kW > | 0,37 | 0,55 | 0,75 | 1,1 | 1,5 | 2,2 | 3,0 | 4,0 | 5,5 |
| | Motor 2P, 1 -> | 107230020 | 107230040 | 107230100 | 107230120 | 107230180 | 50004HD00 | | | |
| | Motor 2P, 3-IE2 since 0.75kW | 107230060 | 107230080 | 107230150 | 107230500 | 107240000 | 107240500 | 107241000 | 50008VG00 | 50013VE00 |
| | Motor 2P, 3-IE3 since 0.75kW | 107230060 | 107230080 | 107234000 | 107234010 | 107234020 | 50A01RD00 | 50A02RF00 | 50A08VL00 | 50A13VE00 |
| 2 | Adaptor | 161470700 | 161470700 | 161470720 | 161470720 | 161470740 | 161470740 | 161470760 | 161470760 | 161470760 |
| 23 | Lifting bracket | - | - | - | - | - | - | - | - | 161441050 |
| 26 | Coupling | KL10ABC | KL10ABC | KL10ABD | KL10ABD | KL10ABE | KL10ABE | KL10ABF | KL10ABF | KL10ABY |
| 27 | Coupling guard | KL33AAM | KL33AAM | KL33AAN | KL33AAN | KL33AAP | KL33AAP | KL33AAQ | KL33AAQ | KL33AAQ |

Wear Parts kit

| up to model (->) | -> 5SV08 | -> 5SV16 | -> 5SV22 | -> 5SV28 | -> 5SV34 |
|------------------|------------|----------|----------|----------|----------|
| *34 | Wear parts | KL35AE2 | KL35AE3 | KL35AE4 | KL35AE5 |

Mechanical seal Kit : Mech seal D12 + sleeve OR

| | | | | |
|------|--------------|---------|---------|--|
| *20A | Materials -> | Q1BEGG | KL01AAD | Std -> Seal Q1BEGG - OR Sleeve EPDM / Unbalanced |
| | | Q1Q1EGG | KL01AC7 | |
| | | Q1BVGG | KL01AAG | |
| | | Q1Q1VGG | KL01AC9 | |
| | | Q1CTGG | KL01ADB | |
| | | Q1Q1TGG | KL01ADD | |

Common, Single Unit and kit

| | | | |
|-----|-------------------------|-----------|-------------------|
| 3 | Base | 161431310 | -> 1-3-5 SV N-V-K |
| 4 | Plugs | EPDM | KL34AAK |
| | | FPM | KL34AAL |
| | | FEP | KL34AAM |
| 5 | Upper holder | - | |
| *9 | Impeller 5SV A316 | 150703622 | |
| 13 | Seal housing disc | 150102922 | |
| 14 | Pump body | 151302402 | -> 5SV N |
| 15 | Diffuser | 152803122 | |
| 16 | Last stage diffuser | 152803022 | |
| 17 | First stage box | 152802922 | |
| *21 | OR | EPDM | KL02AA1 |
| | | FPM | KL02AA2 |
| | | FEP | KL02AA3 |
| 24 | Motor flange | 161050700 | 1-3-5SV 5,5 kW |
| 25 | Kit oval flange OR EPDM | - | |
| | Kit oval flange OR FPM | - | |
| 30 | Impellers retainer | KL41AAZ | |

* Recommended spare parts - Parti di ricambio consigliate

* Pièces détachées conseillées - Empfohlene Ersatzteile

** Motor spare parts: see motor lists - Parti di ricambio motore: vedi liste motore

** Pièces détachées Moteur : voir listes moteur - Motor-Ersatzteile: gem. Motorlisten

1-22SVN_5_Sept11_EdD

5SV N 4 Pole

| ELP 2 P | | | | | | | | | | |
|---------------|------------|------------|------------|------------|------------|------------|------------|------------|------------|------------|
| N Version | 5SV03N0024 | 5SV06N0024 | 5SV09N0024 | 5SV12N0024 | 5SV15N0034 | 5SV18N0034 | 5SV21N0034 | 5SV25N0054 | 5SV28N0054 | 5SV33N0074 |
| T(IE1-IE2) -> | 1016L3684 | 1016L3714 | 1016L3744 | 1016L3774 | 1016L3804 | 1016L3834 | 1016L3864 | 1016L3904 | 1016L3934 | 1016LB524 |

Single Unit and Kit

| | | | | | | | | | | | |
|----|------------------|-----------|-----------|-----------|-----------|-----------|-----------|-----------|-----------|-----------|-----------|
| 10 | Sleeve A316 | 166443052 | 166443112 | 166443172 | 166443232 | 166443292 | 166443352 | 166443412 | 166443492 | 166443552 | 166443652 |
| 11 | Shaft A316 | 165050052 | 165050112 | 165050172 | 165050232 | 165050292 | 165050352 | 165050412 | 165050492 | 165050552 | 165050652 |
| 31 | Tie rods SVN kit | KL22AP1 | KL22AP3 | KL22AP5 | KL22APA | KL22AQA | KL22AQC | KL22AQD | KL22AQF | KL22AQG | KL22AQK |

Motor, Coupling, Motor adaptor

| Motor power | 0,25 | 0,25 | 0,25 | 0,25 | 0,37 | 0,37 | 0,37 | 0,55 | 0,55 | 0,75 |
|--------------------|------|------------------|-----------|------------------|-----------|------|------|------|------|------|
| **1 kW > | | 0,25 kW | 0,37 kW | 0,55 kW | 0,75 kW | | | | | |
| Motor 4P, 3 ~> | | 107230640 | 107230700 | 107230760 | 107241520 | | | | | |
| 2 Adaptor | | 161470700 | 161470700 | 161470700 | 161470720 | | | | | |
| 23 Lifting bracket | | - | - | - | - | | | | | |
| 26 Coupling | | KL10ABC | KL10ABC | KL10ABC | KL10ABD | | | | | |
| 27 Coupling guard | | KL33AAM | KL33AAM | KL33AAM | KL33AAN | | | | | |

Wear Parts kit

| up to model (->) | -> 5SV08 | -> 5SV16 | -> 5SV22 | -> 5SV28 | -> 5SV34 |
|------------------|-----------|-----------|-----------|-----------|-----------|
| *34 Wear parts | 1 bearing | 2 bearing | 3 bearing | 4 bearing | 5 bearing |
| | KL35AE2 | KL35AE3 | KL35AE4 | KL35AE5 | KL35AE6 |

Mechanical seal Kit : Mech seal D12 + sleeve OR

| | | | | |
|------|--------------|----------------|---------|------------------------------|
| *20A | Materials -> | Q1BEGG | KL01AAD | Std -> Seal Q1BEGG - OR EPDM |
| | | Q1Q1EGG | KL01AC7 | |
| | | Q1BVGG | KL01AAG | |
| | | Q1Q1VGG | KL01AC9 | |
| | | Q1CTGG | KL01ADB | |
| | | Q1Q1TGG | KL01ADD | |

Common, Single Unit and kit

| | | | | |
|-----|---------------------|------|-----------|--------------|
| 3 | Base | | 161431310 | -> 1-3-5SV N |
| 4 | Plugs | EPDM | KL34AAK | |
| | | FPM | KL34AAL | |
| | | FEP | KL34AAM | |
| 5 | Upper holder | | - | |
| *9 | Impeller 5SV A316 | | 150703622 | |
| 13 | Seal housing disc | | 150102922 | |
| 14 | Pump body | | 151302402 | -> 5SVN |
| 15 | Diffuser | | 152803122 | |
| 16 | Last stage diffuser | | 152803022 | |
| 17 | First stage box | | 152802922 | |
| *21 | OR | EPDM | KL02AA1 | |
| | | FPM | KL02AA2 | |
| | | FEP | KL02AA3 | |
| 24 | Motor flange | | - | |
| 30 | Impellers retainer | | KL41AAZ | |

Parts 5SV with less impellers

-> both SV el.pumps 2 - 4 Pole

| | | |
|--|-------------------------------|-----------|
| | Impeller spacer | 162503422 |
| | Spacer in place of impeller | 162503842 |
| | Diffuser box empty | 162801622 |
| | Last stage diffuser box empty | 162801722 |

* Recommended spare parts - Parti di ricambio consigliate

* Pièces détachées conseillées - Empfohlene Ersatzteile

** Motor spare parts: see motor lists - Parti di ricambio motore: vedi liste motore

** Pièces détachées Moteur : voir listes moteur - Motor-Ersatzteile: gem. Motorlisten

1-22SVN_5_Sept11_EdD

10SV F 2 Pole (10SVF/D: motors IE3 fitted)

| ELP 2P | | 10SV01N007 | 10SV02N007 | 10SV03N011 | 10SV04N015 | 10SV05N022 | 10SV06N022 | 10SV07N030 | 10SV08N030 | 10SV09N040 | 10SV10N040 |
|-----------|-----------|-------------------|-------------------|-------------------|-------------------|-------------------|-------------------|-------------------|------------|------------|------------|
| N Version | M-> | 1016L2694 | 1016L2704 | 1016L2714 | 1016L2724 | 1016L2734 | 1016L2744 | | | | |
| | T(IE2) -> | 1016L1154 | 1016L1164 | 1016L1174 | 1016LA614 | 1016LA624 | 1016LA634 | 1016LA644 | 1016LA654 | 1016L1234 | 1016L1244 |
| T(IE3) -> | | 1016LD154 | 1016LD164 | 1016LD174 | 1016LD184 | 1016LD194 | 1016LD204 | 1016LD214 | 1016LD224 | 1016LD234 | 1016LD244 |
| | | 10SV11N040 | 10SV13N055 | 10SV15N055 | 10SV17N075 | 10SV18N075 | 10SV20N075 | 10SV21N110 | | | |
| M-> | | | | | | | | | | | |
| | T(IE2) -> | 1016L1254 | 1016L1274 | 1016L1294 | 1016L1314 | 1016L1324 | 1016L1344 | 1016L1354 | | | |
| T(IE3) -> | | 1016LD254 | 1016LD274 | 1016LD294 | 1016LD314 | 1016LD324 | 1016LD344 | 1016LD354 | | | |

Single Unit and Kit

| | | | | | | | | | | | |
|----|----------------------|-----------|------------|------------|------------|------------|------------|------------|-----------|-----------|-----------|
| 10 | Sleeve A316 PN 25 | 166444022 | 166444022 | 166444032 | 166444042 | 166444062 | 166444072 | 166444082 | 166444102 | 166444112 | 166444122 |
| 11 | Shaft A316 | 165051022 | 165051022 | 165051032 | 165051042 | 165051062 | 165051072 | 165051082 | 165051102 | 165051112 | 165051122 |
| 31 | Tie rods SVN Kit | 165051142 | 165051162B | 165051192B | 165051222B | 165051232B | 165051262B | 165051272B | | | |
| | | KL22AQU | KL22AQU | KL22AC4 | KL22AQW | KL22AQY | KL22AQZ | KL22AQ0 | KL22AQ2 | KL22AC9 | KL22AQ4 |
| | | KL22AQ6 | KL22AQ8 | KL22ARB | KL22ARE | KL22ARF | KL22ARK | KL22ARL | | | |

Motor, Coupling, Motor Adaptor

| Motor power kW > | 0,75 | 0,75 | 1,1 | 1,5 | 2,2 | 2,2 | 3,0 | 3,0 | 4,0 | 4,0 |
|---------------------|------|------|-----|-----|-----|-----|------|-----|-----|-----|
| | 4,0 | 5,5 | 5,5 | 7,5 | 7,5 | 7,5 | 11,0 | | | |

| **1 | kW -> | 0,75 | 1,1 | 1,5 | 2,2 | 3,0 | 4,0 | 5,5 | 7,5 | 11,0 |
|-----|--------------------------------|------------------|------------------|-----------|-----------|-----------|-----------|-----------|-----------|-----------|
| | Motor 2 P, 1- > | 107230100 | 107230120 | 107230180 | 50004HD00 | | | | | |
| | Motor 2P, 3-, IE2 since 0.75kW | 107230150 | 107230500 | 107240000 | 107240500 | 107241000 | 50008VG00 | 50013VE00 | 50017VB00 | 50019VE00 |
| | Motor 2P, 3-, IE3 since 0.75kW | 107234000 | 107234010 | 107234020 | 50A01RD00 | 50A02RF00 | 50A08VL00 | 50A13VE00 | 50A17VB00 | 50A19VE00 |
| 2 | Adaptor | 161470800 | 161470800 | 161470820 | 161470820 | 161470840 | 161470840 | 161470860 | 161470860 | 161470880 |
| 23 | Lifting bracket | - | - | - | - | - | - | 161441050 | 161441050 | 161441060 |
| 26 | Coupling | KL10ABG | KL10ABG | KL10ABH | KL10ABH | KL10ABK | KL10ABK | KL10ABZ | KL10ABZ | KL10AB0 |
| 27 | Coupling guard | KL33AAR | KL33AAR | KL33AAS | KL33AAS | KL33AAT | KL33AAT | KL33AAU | KL33AAU | KL33AAU |

Wear Parts Kit

| up to model (- >) | ->10SV09 | ->10SV16 | ->10SV21 |
|-------------------|----------|----------|----------|
| *34 Wear parts | KL35AE7 | KL35AE8 | KL35AE9 |

Mechanical seal Kit : Mech seal D16 + OR

| | | | | |
|------|-------------|----------------|---------|--|
| *20A | Materials-> | Q1BEGG | KL01AAE | Std -> Seal Q1BEGG - sleeve OR EPDM / Unbalanced : 10-15-22SV < / = 4 kW |
| | | Q1Q1EGG | KL01AC8 | |
| | | Q1BVGG | KL01AAH | |
| | | Q1Q1VGG | KL01ADA | |
| | | Q1CTGG | KL01ADC | |
| | | Q1Q1TGG | KL01ADE | |
| *20 | Materials-> | Q1BEGG | KL01AD7 | Std -> Seal Q1BEGG - upper holder OR EPDM / Balanced : 10-15-22SV = / > 5,5 kW |
| | | Q1Q1EGG | KL01AD3 | |
| | | Q1BVGG | KL01AD2 | |
| | | Q1Q1VGG | KL01AD4 | |
| | | Q1CTGG | KL01AD9 | |
| | | Q1Q1TGG | KL01AEA | |

Common, Single Unit and Kit

| | | | |
|-----|-------------------------|-----------|------------------------------------|
| 3 | Base | 161431330 | -> 10SV N - C |
| 4 | Plugs | EPDM | KL34AAK |
| | | FPM | KL34AAL |
| | | FEP | KL34AAM |
| 5 | Upper holder | - | Up to 4,0 kW included |
| | | 160103722 | Over 5,5 kW |
| | | 160103742 | Part with hole for tap |
| *9 | Impeller10 SV A316 | 150703632 | |
| 13 | Seal housing disc | 150102942 | Up to 4,0 kW included |
| | | 150102962 | Over 5,5 kW |
| 14 | Pump body | 151302452 | -> 10SVN PN 40 |
| 15 | Diffuser | 152803132 | |
| 16 | Last stage diffuser | 152803032 | |
| 17 | First stage box | 152802932 | |
| *21 | OR | EPDM | KL02AA4 |
| | | FPM | KL02AA5 |
| | | FEP | KL02AA6 |
| 24 | Motor flange | - | |
| 25 | Kit oval flange OR EPDM | - | |
| | | - | |
| 30 | Impellers retainer | KL41AA0 | Unbalanced : 10-15-22SV < / = 4 kW |
| 30 | Bush seal kit | KL41AA2 | Balanced : 10-15-22SV = / > 5,5 kW |

* Recommended spare parts - Parti di ricambio consigliate

* Pièces détachées conseillées - Empfohlene Ersatzteile

** Motor spare parts: see motor lists - Parti di ricambio motore: vedi liste motore

** Pièces détachées Moteur : voir listes moteur - Motor-Ersatzteile: gem. Motorlister

10SV N 4 Pole (10SVN/D 4P: motors IE3 fitted)

| ELP 4P, 3 ~ | | | | | | | | | |
|-------------------|-------------|-------------|-------------|-------------|-------------|-------------|-------------|-------------|-------------|
| Version N | 10SV04N0054 | 10SV06N0054 | 10SV08N0054 | 10SV10N0054 | 10SV13N0074 | 10SV15N0074 | 10SV17N0114 | 10SV19N0114 | 10SV21N0114 |
| T(IE1-IE2) -> | 1016L4064 | 1016L4084 | 1016L4104 | 1016L4124 | 1016LB594 | 1016LB614 | 1016L4194 | 1016L4214 | 1016L4234 |
| T(IE1-IE2-IE3) -> | 1016L4064 | 1016L4084 | 1016L4104 | 1016L4124 | 1016LB594 | 1016LB614 | 1016LG194 | 1016LG214 | 1016LG234 |

Single Unit and Kit

| | | | | | | | | | | |
|----|------------------|-----------|-----------|-----------|-----------|-----------|-----------|-----------|-----------|-----------|
| 10 | Sleeve A316 | 166444042 | 166444072 | 166444102 | 166444122 | 166444162 | 166444192 | 166444222 | 166444242 | 166444272 |
| 11 | Shaft A316 | 165051042 | 165051072 | 165051102 | 165051122 | 165051162 | 165051192 | 165051222 | 165051242 | 165051272 |
| 31 | Tie rods SVN Kit | KL22AQW | KL22AQZ | KL22AQ2 | KL22AQ4 | KL22AQ8 | KL22ARB | KL22ARE | KL22ARG | KL22ARL |

Motor, Coupling, Motor Adaptor

| Mot.power, kW > | 0,55 | 0,55 | 0,55 | 0,55 | 0,75 | 0,75 | 1,1 | 1,1 | 1,1 |
|-----------------|------|------|------|------|------|------|-----|-----|-----|
|-----------------|------|------|------|------|------|------|-----|-----|-----|

| | | | | |
|-----|-------------------------------|-----------|-----------|-----------|
| **1 | kW > | 0,55 | 0,75 | 1,1 |
| | Motor 4P, 3~,IE2 since 0.75kW | 107230760 | 107241520 | 50005RD00 |
| | Motor 4P, 3~,IE3 since 1.10kW | 107230760 | 107241520 | 50A05RD00 |
| 2 | Adaptor | 161470800 | 161470800 | 161470820 |
| 23 | Lifting bracket | - | - | - |
| 26 | Coupling | KL10ABG | KL10ABG | KL10ABH |
| 27 | Coupling guard | KL33AAR | KL33AAR | KL33AAS |

Wear Parts Kit

| up to model (- >) | ->10SV09 | ->10SV16 | ->10SV21 | |
|-------------------|------------|----------|----------|---------|
| *34 | Wear parts | KL35AE7 | KL35AE8 | KL35AE9 |

Mechanical seal Kit : Mech seal D16 + OR

| | | | | |
|------|-------------|---------|---------|--|
| *20A | Materials-> | Q1BEGG | KL01AAE | Std -> Seal Q1BEGG - sleeve OR EPDM / Unbalanced : 10-15-22SV < / = 4 kW |
| | | Q1Q1EGG | KL01AC8 | |
| | | Q1BVGG | KL01AAH | |
| | | Q1Q1VGG | KL01ADA | |
| | | Q1CTGG | KL01ADC | |
| | | Q1Q1TGG | KL01ADE | |

Common, Single Unit and Kit

| | | | |
|-----|---------------------|-----------|---------|
| 3 | Base | 161431330 | -> 10SV |
| 4 | Plugs | EPDM | KL34AAK |
| | | FPM | KL34AAL |
| | | FEP | KL34AAM |
| 5 | Upper holder | - | |
| *9 | Impeller10 SV A316 | 150703632 | |
| 13 | Seal housing disc | 150102942 | |
| 14 | Pump body | 151302452 | |
| 15 | Diffuser | 152803132 | |
| 16 | Last stage diffuser | 152803032 | |
| 17 | First stage box | 152802932 | |
| *21 | OR | EPDM | KL02AA4 |
| | | FPM | KL02AA5 |
| | | FEP | KL02AA6 |
| 24 | Motor flange | - | |
| 30 | Impellers retainer | KL41AA0 | |

Parts 10SV with less impellers

-> both SV el.pumps 2 - 4 Pole

| | | |
|--|-------------------------------|-----------|
| | Impeller spacer | 162503432 |
| | Spacer in place of impeller | 162503852 |
| | Diffuser box empty | 162801632 |
| | Last stage diffuser box empty | 162801752 |

* Recommended spare parts - Parti di ricambio consigliate

* Pièces détachées conseillées - Empfohlene Ersatzteile

** Motor spare parts: see motor lists - Parti di ricambio motore: vedi liste motore

** Pièces détachées Moteur : voir listes moteur - Motor-Ersatzteile: gem. Motorlisten

15SV F 2 Pole (15SVF/D: motors IE3 fitted)

| ELP 2P | | 15SV01N011 | 15SV02N022 | 15SV03N030 | 15SV04N040 | 15SV05N040 | 15SV06N055 | 15SV07N055 | 15SV08N075 | 15SV09N075 | 15SV10N110 |
|-----------|--|------------|------------|------------|------------|------------|------------|------------|------------|------------|------------|
| N Version | | 1016L2784 | 1016L2794 | | | | | | | | |
| M-> | | 1016L1404 | 1016LA704 | 1016LA714 | 1016L1434 | 1016L1444 | 1016L1454 | 1016L1464 | 1016L1474 | 1016L1484 | 1016L1494 |
| T(IE2) -> | | 1016LD404 | 1016LD414 | 1016LD424 | 1016LD434 | 1016LD444 | 1016LD454 | 1016LD464 | 1016LD474 | 1016LD484 | 1016LD494 |
| T(IE3) -> | | 15SV11N110 | 15SV13N110 | 15SV15N150 | 15SV17N150 | | | | | | |
| M-> | | | | | | | | | | | |
| T(IE2) -> | | 1016L1504 | 1016L1524 | 1016L1544 | 1016L1564 | | | | | | |
| T(IE3) -> | | 1016LD504 | 1016LD524 | 1016LD544 | 1016LD564 | | | | | | |

Single Unit and Kit

| | | | | | | | | | | | |
|----|----------------------|------------|------------|------------|------------|-----------|-----------|------------|------------|------------|------------|
| 10 | Sleeve A316 PN 25 | 166444032 | 166444032 | 166444052 | 166444072 | 166444092 | 166444112 | 166444132 | 166444152 | 166444172 | 166444192 |
| 11 | Shaft A316 | 166444212 | 166444252 | 166444292 | 166444332 | | | | | | |
| | | 165051032 | 165051032 | 165051052 | 165051072 | 165051092 | 16505112B | 165051132B | 165051152B | 165051172B | 165051192B |
| | | 165051212B | 165051252B | 165051292B | 165051332B | | | | | | |
| 31 | Tie rods SVN Kit | KL22AC4 | KL22AC4 | KL22AQX | KL22AQZ | KL22AQ1 | KL22AC9 | KL22AQ5 | KL22AQ7 | KL22AQ9 | KL22ARB |
| | | KL22ARD | KL22ARH | KL22ARM | KL22ARP | | | | | | |

Motor, Coupling, Motor Adaptor

| Motor power kW > | 1,1 | 2,2 | 3,0 | 4,0 | 4,0 | 5,5 | 5,5 | 7,5 | 7,5 | 11,0 |
|---------------------|------|------|------|------|-----|-----|-----|-----|-----|------|
| | 11,0 | 11,0 | 15,0 | 15,0 | | | | | | |

| **1 | kW -> | 1,1 | 2,2 | 3,0 | 4,0 | 5,5 | 7,5 | 11,0 | 15,0 |
|-----|--------------------------------|-----------|-----------|-----------|-----------|-----------|-----------|-----------|-----------|
| | Motor 2 P, 1- > | 107230120 | 50004HD00 | | | | | | |
| | Motor 2P, 3-, IE2 since 0.75kW | 107230500 | 107240500 | 107241000 | 50008VG00 | 50013VE00 | 50017VB00 | 50019VE00 | 50024VB00 |
| | Motor 2P, 3-, IE3 since 0.75kW | 107234010 | 50A01RD00 | 50A02RF00 | 50A08VL00 | 50A13VE00 | 50A17VB00 | 50A19VE00 | 50A24VB00 |
| 2 | Adaptor | 161470800 | 161470820 | 161470840 | 161470840 | 161470860 | 161470860 | 161470880 | 161470880 |
| 23 | Lifting bracket | - | - | - | - | 161441050 | 161441050 | 161441060 | 161441060 |
| 26 | Coupling | KL10ABG | KL10ABH | KL10ABK | KL10ABK | KL10ABZ | KL10ABZ | KL10AB0 | KL10AB0 |
| 27 | Coupling guard | KL33AAR | KL33AAS | KL33AAT | KL33AAT | KL33AAU | KL33AAU | KL33AAU | KL33AAU |

Wear Parts Kit

| up to model (- >) | ->15SV06 | ->15SV11 | ->15SV17 |
|-------------------|-----------|-----------|-----------|
| | 1 bearing | 2 bearing | 3 bearing |
| *34 Wear parts | KL35AFA | KL35AFB | KL35AFC |

Mechanical seal Kit : Mech seal D16 + OR

| | | | | |
|------|-------------|---------|---------|--|
| *20A | Materials-> | Q1BEGG | KL01AAE | Std -> Seal Q1BEGG - sleeve OR EPDM / Unbalanced : 10-15-22SV < / = 4 kW |
| | | Q1Q1EGG | KL01AC8 | |
| | | Q1BVGG | KL01AAH | |
| | | Q1Q1VGG | KL01ADA | |
| | | Q1CTGG | KL01ADC | |
| | | Q1Q1TGG | KL01ADE | |
| *20 | Materials-> | Q1BEGG | KL01AD7 | Std -> Seal Q1BEGG - upper holder OR EPDM / Balanced : 10-15-22SV = / > 5,5 kW |
| | | Q1Q1EGG | KL01AD3 | |
| | | Q1BVGG | KL01AD2 | |
| | | Q1Q1VGG | KL01AD4 | |
| | | Q1CTGG | KL01AD9 | |
| | | Q1Q1TGG | KL01AEA | |

Common, Single Unit and Kit

| | | | |
|-----|-------------------------|--------------------|------------------------------------|
| 3 | Base | 161431350 | -> 15-22SV |
| 4 | Plugs | EPDM FPM FEP | KL34AAK KL34AAL KL34AAM |
| 5 | Upper holder | - | Up to 4,0 kW included |
| | | 160103722 | Over 5,5 kW |
| | | 160103742 | Part with hole for tap |
| *9 | Impeller 15SV A316 | 150703642 | |
| 13 | Seal housing disc | 150102942 | Up to 4,0 kW included |
| | | 150102962 | Over 5,5 kW |
| 14 | Pump body | 151302602 | -> 15SVN DN40 |
| 15 | Diffuser | 152803152 | |
| 16 | Last stage diffuser | 152803052 | |
| 17 | First stage box | 152802952 | |
| *21 | OR | EPDM FPM FEP | KL02AA4 KL02AA5 KL02AA6 |
| 24 | Motor flange | - | |
| 25 | Kit oval flange OR EPDM | - | |
| | Kit oval flange OR FPM | - | |
| 30 | Impellers retainer | KL41AA0 | Unbalanced : 10-15-22SV < / = 4 kW |
| 30 | Bush seal kit | KL41AA2 | Balanced : 10-15-22SV = / > 5,5 kW |

* Recommended spare parts - Parti di ricambio consigliate

** Pièces détachées conseillées - Empfohlene Ersatzteile

** Motor spare parts: see motor lists - Parti di ricambio motore: vedi liste motore

** Pièces détachées Moteur : voir listes moteur - Motor-Ersatzteile: gem. Motorlister

1-22SVN_5_Sept11_EdD

15SV N 4 Pole (15SVN/D 4P: motors IE3 fitted)

| ELP 4P, 3 ~ | | | | | | | |
|-------------------|-------------|-------------|-------------|-------------|-------------|-------------|-------------|
| N Version | 15SV05N0054 | 15SV07N0074 | 15SV09N0114 | 15SV11N0114 | 15SV13N0154 | 15SV15N0154 | 15SV17N0224 |
| T(IE1-IE2) -> | 1016L4324 | 1016LB634 | 1016L4364 | 1016L4384 | 1016L4404 | 1016L4424 | 1016L4444 |
| T(IE1-IE2-IE3) -> | 1016L4324 | 1016LB634 | 1016LG364 | 1016LG384 | 1016LG404 | 1016LG424 | 1016LG444 |

Single Unit and Kit

| | | | | | | | | |
|----|------------------|-----------|-----------|-----------|-----------|-----------|------------|------------|
| 10 | Sleeve A316 | 166444032 | 166444032 | 166444052 | 166444072 | 166444092 | 166444112 | 166444132 |
| 11 | Shaft A316 | 165051032 | 165051032 | 165051052 | 165051072 | 165051092 | 165051112B | 165051132B |
| 31 | Tie rods SVN Kit | KL22AQ1 | KL22AQ5 | KL22AQ9 | KL22ARD | KL22ARH | KL22ARM | KL22ARP |

Motor, Coupling, Motor Adaptor

| Mot.power, kW > | 0,55 | 0,75 | 0,95 | 1,1 | 1,5 | 1,5 | 2,2 |
|-----------------|-------------------------------|-----------|-----------|-----------|-----------|-----------|-----|
| **1 | kW > | 0,55 | 0,75 | 1,1 | 1,5 | 2,2 | |
| | Motor 4P, 3-,IE2 since 0.75kW | 107230760 | 107241520 | 50005RD00 | 50006RD00 | 50010RD00 | |
| | Motor 4P, 3-,IE3 since 1.10kW | 107230760 | 107241520 | 50A05RD00 | 50A06RD00 | 50A10RD00 | |
| 2 | Adaptor | 161470800 | 161470800 | 161470820 | 161470820 | 161470840 | |
| 23 | Lifting bracket | - | - | - | - | - | |
| 26 | Coupling | KL10ABG | KL10ABG | KL10ABH | KL10ABH | KL10ABK | |
| 27 | Coupling guard | KL33AAR | KL33AAR | KL33AAS | KL33AAS | KL33AAT | |

Wear Parts Kit

| | ->15SV06 | ->15SV11 | ->15SV17 |
|-------------------|-----------|-----------|-----------|
| up to model (- >) | 1 bearing | 2 bearing | 3 bearing |
| *34 Wear parts | KL35AFA | KL35AFB | KL35AFC |

Mechanical seal Kit : Mech seal D16 + OR

| | | | | |
|------|-------------|---------|---------|--|
| *20A | Materials-> | Q1BEGG | KL01AAE | Std -> Seal Q1BEGG - sleeve OR EPDM / Unbalanced : 10-15-22SV < / = 4 kW |
| | | Q1Q1EGG | KL01AC8 | |
| | | Q1BVGG | KL01AAH | |
| | | Q1Q1VGG | KL01ADA | |
| | | Q1CTGG | KL01ADC | |
| | | Q1Q1TGG | KL01ADE | |

Common, Single Unit and Kit

| | | | |
|-----|---------------------|-----------|-------------|
| 3 | Base | 161431350 | -> 15-22SV |
| 4 | Plugs | EPDM | KL34AAK |
| | | FPM | KL34AAL |
| | | FEP | KL34AAM |
| 5 | Upper holder | - | |
| *9 | Impeller 15SV A316 | 150703642 | |
| 13 | Seal housing disc | 150102942 | |
| 14 | Pump body | 151302602 | -> 15-22SVN |
| 15 | Diffuser | 152803152 | |
| 16 | Last stage diffuser | 152803052 | |
| 17 | First stage box | 152802950 | |
| *21 | OR | EPDM | KL02AA4 |
| | | FPM | KL02AA5 |
| | | FEP | KL02AA6 |
| 24 | Motor flange | - | |
| 30 | Impellers retainer | KL41AA0 | |

Parts 15-22SV with less impellers

-> both SV el.pumps 2 - 4 Pole

| | | |
|--|-------------------------------|-----------|
| | Impeller spacer | 162503452 |
| | Spacer in place of impeller | 162503872 |
| | Diffuser box empty | 162801652 |
| | Last stage diffuser box empty | 162801752 |

* Recommended spare parts - Parti di ricambio consigliate

* Pièces détachées conseillées - Empfohlene Ersatzteile

** Motor spare parts: see motor lists - Parti di ricambio motore: vedi liste motore

** Pièces détachées Moteur : voir listes moteur - Motor-Ersatzteile: gem. Motorlisten

1-22SVN_5_Sept11_EdD

22SV F 2 Pole (22SVF/D: motors IE3 fitted)

| ELP 2P | | | | | | | | | | |
|-----------|------------|------------|------------|------------|------------|------------|------------|------------|------------|------------|
| N Version | 22SV01N011 | 22SV02N022 | 22SV03N030 | 22SV04N040 | 22SV05N055 | 22SV06N075 | 22SV07N075 | 22SV08N110 | 22SV09N110 | 22SV10N110 |
| M-> | 1016L2834 | 1016L2844 | | | | | | | | |
| T(IE2) -> | 1016L1614 | 1016LA764 | 1016LA774 | 1016L1644 | 1016L1654 | 1016L1664 | 1016L1674 | 1016L1684 | 1016L1694 | 1016L1704 |
| T(IE3) -> | 1016LD614 | 1016LD624 | 1016LD634 | 1016LD644 | 1016LD654 | 1016LD664 | 1016LD674 | 1016LD684 | 1016LD694 | 1016LD704 |
| | 22SV12N150 | 22SV14N150 | 22SV17N185 | | | | | | | |
| M-> | | | | | | | | | | |
| T(IE2) -> | 1016L1724 | 1016L1744 | 1016L1774 | | | | | | | |
| T(IE3) -> | 1016LD724 | 1016LD744 | 1016LD774 | | | | | | | |

Single Unit and Kit

| | | | | | | | | | | | |
|----|----------------------|-------------------------|-------------------------|-------------------------|-----------|------------|------------|------------|------------|------------|------------|
| 10 | Sleeve A316 PN 25 | 166444032 166444232 | 166444032 166444272 | 166444052 | 166444072 | 166444092 | 166444112 | 166444132 | 166444152 | 166444172 | 166444192 |
| 11 | Shaft A316 | 165051032 165051232B | 165051032 165051272B | 165051052 165051332B | 165051072 | 165051092B | 165051112B | 165051132B | 165051152B | 165051172B | 165051192B |
| 31 | Tie rods SVN Kit | KL22AC4 KL22ARF | KL22AC4 KL22ARL | KL22AQX KL22ARP | KL22AQZ | KL22AQ1 | KL22AC9 | KL22AQ5 | KL22AQ7 | KL22AQ9 | KL22ARB |

Motor, Coupling, Motor Adaptor

| Motor power kW > | 1,1 | 2,2 | 3,0 | 4,0 | 5,5 | 7,5 | 7,5 | 11,0 | 11,0 | 11,0 |
|---------------------|------|------|------|-----|-----|-----|-----|------|------|------|
| | 15,0 | 15,0 | 18,5 | | | | | | | |

| **1 | kW -> | 1,1 | 2,2 | 3,0 | 4,0 | 5,5 | 7,5 | 11,0 | 15,0 | 18,5 |
|-----|--------------------------------|-----------|-----------|-----------|-----------|-----------|-----------|-----------|-----------|-----------|
| | Motor 2 P, 1- > | 107230120 | 50004HD00 | | | | | | | |
| | Motor 2P, 3-, IE2 since 0.75kW | 107230500 | 107240500 | 107241000 | 50008VG00 | 50013VE00 | 50017VB00 | 50019VE00 | 50024VB00 | 50025VB00 |
| | Motor 2P, 3-, IE3 since 0.75kW | 107234010 | 50A01RD00 | 50A02RF00 | 50A08VL00 | 50A13VE00 | 50A17VB00 | 50A19VE00 | 50A24VB00 | 50A25VB00 |
| 2 | Adaptor | 161470800 | 161470820 | 161470840 | 161470840 | 161470860 | 161470860 | 161470880 | 161470880 | 161470880 |
| 23 | Lifting bracket | - | - | - | - | 161441050 | 161441050 | 161441060 | 161441060 | 161441060 |
| 26 | Coupling | KL10ABG | KL10ABH | KL10ABK | KL10ABK | KL10ABZ | KL10ABZ | KL10AB0 | KL10AB0 | KL10AB0 |
| 27 | Coupling guard | KL33AAR | KL33AAS | KL33AAT | KL33AAT | KL33AAU | KL33AAU | KL33AAU | KL33AAU | KL33AAU |

Wear Parts Kit

| up to model (- >) | ->22SV06 | ->22SV11 | ->22SV17 |
|-------------------|-----------|-----------|-----------|
| | 1 bearing | 2 bearing | 3 bearing |
| *34 Wear parts | KL35AFA | KL35AFB | KL35AFC |

Mechanical seal Kit : Mech seal D16 + OR

| | | | | |
|------|-------------|---------|---------|--|
| *20A | Materials-> | Q1BEGG | KL01AAE | Std -> Seal Q1BEGG - sleeve OR EPDM / Unbalanced : 10-15-22SV < / = 4 kW |
| | | Q1Q1EGG | KL01AC8 | |
| | | Q1BVGG | KL01AAH | |
| | | Q1Q1VGG | KL01ADA | |
| | | Q1CTGG | KL01ADC | |
| | | Q1Q1TGG | KL01ADE | |
| *20 | Materials-> | Q1BEGG | KL01AD7 | Std -> Seal Q1BEGG - upper holder OR EPDM / Balanced : 10-15-22SV = / > 5,5 kW |
| | | Q1Q1EGG | KL01AD3 | |
| | | Q1BVGG | KL01AD2 | |
| | | Q1Q1VGG | KL01AD4 | |
| | | Q1CTGG | KL01AD9 | |
| | | Q1Q1TGG | KL01AEA | |

Common, Single Unit and Kit

| | | | |
|-----|---|-----------------------------|--|
| 3 | Base | 161431350 | -> 15-22SV |
| 4 | Plugs | EPDM FPM FEP | KL34AAK KL34AAL KL34AAM |
| 5 | Upper holder | - 160103722 160103742 | Up to 4,0 kW included Over 5,5 kW Part with hole for tap |
| *9 | Impeller 22SV A316 | 150703652 | |
| 13 | Seal housing disc | 150102942 150102962 | Up to 4,0 kW included Over 5,5 kW |
| 14 | Pump body | 151302602 | -> 22SVN DN40 |
| 15 | Diffuser | 152803152 | |
| 16 | Last stage diffuser | 152803052 | |
| 17 | First stage box | 152802952 | |
| *21 | OR | EPDM FPM FEP | KL02AA4 KL02AA5 KL02AA6 |
| 24 | Motor flange | - | |
| 25 | Kit oval flange OR EPDM Kit oval flange OR FPM | - - | |
| 30 | Impellers retainer | KL41AA0 | Unbalanced : 10-15-22SV < / = 4 kW |
| 30 | Bush seal kit | KL41AA2 | Balanced : 10-15-22SV = / > 5,5 kW |

* Recommended spare parts - Parti di ricambio consigliate

* Pièces détachées conseillées - Empfohlene Ersatzteile

** Motor spare parts: see motor lists - Parti di ricambio motore: vedi liste motore

** Pièces détachées Moteur : voir listes moteur - Motor-Ersatzteile: gem. Motorlisten

22SV F 4 Pole (22SVF/D 4P: motors IE3 fitted)

| ELP 4P, 3 ~ | | | | | | | |
|---------------|-------------|-------------|-------------|-------------|-------------|-------------|-------------|
| N Version | 22SV04N0054 | 22SV06N0114 | 22SV08N0114 | 22SV10N0154 | 22SV12N0224 | 22SV14N0224 | 22SV17N0304 |
| T(IE1-IE2) -> | 1016L4524 | 1016L4544 | 1016L4564 | 1016L4584 | 1016L4604 | 1016L4624 | 1016L4654 |
| T(IE1-IE3) -> | 1016L4524 | 1016LG544 | 1016LG564 | 1016LG584 | 1016LG604 | 1016LG624 | 1016LG654 |

Single Unit and Kit

| | | | | | | | | |
|----|------------------|-----------|-----------|-----------|-----------|-----------|-----------|-----------|
| 10 | Sleeve A316 | 166444072 | 166444112 | 166444152 | 166444192 | 166444232 | 166444272 | 166444332 |
| 11 | Shaft A304 | 165051072 | 165051112 | 165051152 | 165051192 | 165051232 | 165051272 | 165051332 |
| 31 | Tie rods SVN Kit | KL22AQZ | KL22AC9 | KL22AQ7 | KL22ARB | KL22ARF | KL22ARL | KL22ARP |

Motor, Coupling, Motor Adaptor

| Mot.power, kW > | 0,55 | 1,1 | 1,5 | 1,5 | 2,2 | 2,2 | 3,0 |
|-----------------|------|-----|-----|-----|-----|-----|-----|
|-----------------|------|-----|-----|-----|-----|-----|-----|

| **1 | kW > | 0,55 | 1,1 | 1,5 | 2,2 | 3,0 |
|-----|-------------------------------|-----------|-----------|-----------|-----------|-----------|
| | Motor 4P, 3-,IE2 since 0.75kW | 107230760 | 50005RD00 | 50006RD00 | 50010RD00 | 50011RD00 |
| | Motor 4P, 3-,IE3 since 1.10kW | 107230760 | 50A05RD00 | 50A06RD00 | 50A10RD00 | 50A11RD00 |
| 2 | Adaptor | 161470800 | 161470820 | 161470820 | 161470840 | 161470840 |
| 23 | Lifting bracket | - | - | - | - | - |
| 26 | Coupling | KL10ABG | KL10ABH | KL10ABH | KL10ABK | KL10ABK |
| 27 | Coupling guard | KL33AAR | KL33AAS | KL33AAS | KL33AAT | KL33AAT |

Wear Parts Kit

| up to model (->) | ->22SV06 | ->22SV11 | ->22SV17 |
|------------------|----------|----------|----------|
| *34 Wear parts | KL35AFA | KL35AFB | KL35AFC |

Mechanical seal Kit : Mech seal D16 + OR

| | | | | |
|------|-------------|---------|---------|---|
| *20A | Materials-> | Q1BEGG | KL01AAE | Std -> Seal Q1BEGG - sleeve OR EPDM / Unbalanced : 10-15-22SV </ = 4 kW |
| | | Q1Q1EGG | KL01AC8 | |
| | | Q1BVGG | KL01AAH | |
| | | Q1Q1VGG | KL01ADA | |
| | | Q1CTGG | KL01ADC | |
| | | Q1Q1TGG | KL01ADE | |

Common, Single Unit and Kit

| | | | |
|-----|---------------------|-----------|-------------|
| 3 | Base | 161431350 | -> 15-22SV |
| 4 | Plugs | EPDM | KL34AAK |
| | | FPM | KL34AAL |
| | | FEP | KL34AAM |
| 5 | Upper holder | - | |
| *9 | Impeller 22SV A316 | 150703652 | |
| 13 | Seal housing disc | 150102942 | |
| 14 | Pump body | 151302602 | -> 15-22SVN |
| 15 | Diffuser | 152803152 | |
| 16 | Last stage diffuser | 152803052 | |
| 17 | First stage box | 152802952 | |
| *21 | OR | EPDM | KL02AA4 |
| | | FPM | KL02AA5 |
| | | FEP | KL02AA6 |
| 24 | Motor flange | - | |
| 30 | Impellers retainer | KL41AA0 | |

Parts 15-22SV with less impellers

-> both SV el.pumps 2 - 4 Pole

| | |
|-------------------------------|-----------|
| Impeller spacer | 162503452 |
| Spacer in place of impeller | 162503872 |
| Diffuser box empty | 162801652 |
| Last stage diffuser box empty | 162801752 |

* Recommended spare parts - Parti di ricambio consigliate

* Pièces détachées conseillées - Empfohlene Ersatzteile

** Motor spare parts: see motor lists - Parti di ricambio motore: vedi liste motore

** Pièces détachées Moteur : voir listes moteur - Motor-Ersatzteile: gem. Motorlisten

Specific components related to 1SV N-V-C-K 2 Pole (/D)

Production date >Sept 2011

| ELP 2 P | | | | | | | | | | |
|--|-----------|-----------|-----------|-----------|-----------|-----------|-----------|-----------|-----------|-----------|
| N Version | | | | | | | | | | |
| M -> | 1SV02N003 | 1SV03N003 | 1SV04N003 | 1SV05N003 | 1SV06N003 | 1SV07N003 | 1SV08N005 | 1SV09N005 | 1SV10N005 | 1SV11N005 |
| T -> | 1016L1834 | 1016L1844 | 1016L1854 | 1016L1864 | 1016L1874 | 1016L1884 | 1016L1894 | 1016L1904 | 1016L1914 | 1016L1924 |
| | 1016L0014 | 1016L0024 | 1016L0034 | 1016L0044 | 1016L0054 | 1016L0064 | 1016L0074 | 1016L0084 | 1016L0094 | 1016L0104 |
| | 1SV12N007 | 1SV13N007 | 1SV15N007 | 1SV17N011 | 1SV19N011 | 1SV22N011 | 1SV25N015 | 1SV27N015 | 1SV30N015 | 1SV32N022 |
| M -> | 1016L1934 | 1016L1944 | 1016L1964 | 1016L1984 | 1016L2004 | 1016L2034 | 1016L2064 | 1016L2084 | 1016L2114 | 1016L2134 |
| T -> | 1016L0114 | 1016L0124 | 1016L0144 | 1016L0164 | 1016L0184 | 1016L0214 | 1016LA024 | 1016LA044 | 1016LA074 | 1016LA094 |
| T/D -> | 1016LC114 | 1016LC124 | 1016LC144 | 1016LC164 | 1016LC184 | 1016LC214 | 1016LC244 | 1016LC264 | 1016LC294 | 1016LC314 |
| | 1SV34N022 | 1SV37N022 | | | | | | | | |
| M -> | 1016L2154 | 1016L2184 | | | | | | | | |
| T -> | 1016LA114 | 1016LA144 | | | | | | | | |
| T/D -> | 1016LC334 | 1016LC364 | | | | | | | | |
| V Version | | | | | | | | | | |
| | 1SV02V003 | 1SV03V003 | 1SV04V003 | 1SV05V003 | 1SV06V003 | 1SV07V003 | 1SV08V005 | 1SV09V005 | 1SV10V005 | 1SV11V005 |
| M -> | 1016L1835 | 1016L1845 | 1016L1855 | 1016L1865 | 1016L1875 | 1016L1885 | 1016L1895 | 1016L1905 | 1016L1915 | 1016L1925 |
| T -> | 1016L0015 | 1016L0025 | 1016L0035 | 1016L0045 | 1016L0055 | 1016L0065 | 1016L0075 | 1016L0085 | 1016L0095 | 1016L0105 |
| | 1SV12V007 | 1SV13V007 | 1SV15V007 | 1SV17V011 | 1SV19V011 | 1SV22V011 | 1SV25V015 | 1SV27V015 | 1SV30V015 | 1SV32V022 |
| M -> | 1016L1935 | 1016L1945 | 1016L1965 | 1016L1985 | 1016L2005 | 1016L2035 | 1016L2065 | 1016L2085 | 1016L2115 | 1016L2135 |
| T -> | 1016L0115 | 1016L0125 | 1016L0145 | 1016L0165 | 1016L0185 | 1016L0215 | 1016LA025 | 1016LA045 | 1016LA075 | 1016LA095 |
| T/D -> | 1016LC115 | 1016LC125 | 1016LC145 | 1016LC165 | 1016LC185 | 1016LC215 | 1016LC255 | 1016LC265 | 1016LC295 | 1016LC315 |
| | 1SV34V022 | 1SV37V022 | | | | | | | | |
| M -> | 1016L2155 | 1016L2185 | | | | | | | | |
| T -> | 1016LA115 | 1016LA145 | | | | | | | | |
| T/D -> | 1016LC335 | 1016LC365 | | | | | | | | |
| C Version | | | | | | | | | | |
| | 1SV02C003 | 1SV03C003 | 1SV04C003 | 1SV05C003 | 1SV06C003 | 1SV07C003 | 1SV08C005 | 1SV09C005 | 1SV10C005 | 1SV11C005 |
| M -> | 1016L183B | 1016L184B | 1016L185B | 1016L186B | 1016L187B | 1016L188B | 1016L189B | 1016L190B | 1016L191B | 1016L192B |
| T -> | 1016L001B | 1016L002B | 1016L003B | 1016L004B | 1016L005B | 1016L006B | 1016L007B | 1016L008B | 1016L009B | 1016L010B |
| | 1SV12C007 | 1SV13C007 | 1SV15C007 | 1SV17C011 | 1SV19C011 | 1SV22C011 | 1SV25C015 | 1SV27C015 | 1SV30C015 | 1SV32C022 |
| M -> | 1016L193B | 1016L194B | 1016L196B | 1016L198B | 1016L200B | 1016L203B | 1016L206B | 1016L208B | 1016L211B | 1016L213B |
| T -> | 1016L011B | 1016L012B | 1016L014B | 1016L016B | 1016L018B | 1016L021B | 1016LA02B | 1016LA04B | 1016LA07B | 1016LA09B |
| T/D -> | 1016LC11B | 1016LC12B | 1016LC14B | 1016LC16B | 1016LC18B | 1016LC21B | 1016LC25B | 1016LC26B | 1016LC29B | 1016LC31B |
| | 1SV34C022 | 1SV37C022 | | | | | | | | |
| M -> | 1016L215B | 1016L218B | | | | | | | | |
| T -> | 1016LA11B | 1016LA14B | | | | | | | | |
| T/D -> | 1016LC33B | 1016LC36B | | | | | | | | |
| K Version | | | | | | | | | | |
| | 1SV02K003 | 1SV03K003 | 1SV04K003 | 1SV05K003 | 1SV06K003 | 1SV07K003 | 1SV08K005 | 1SV09K005 | 1SV10K005 | 1SV11K005 |
| M -> | 1016L183C | 1016L184C | 1016L185C | 1016L186C | 1016L187C | 1016L188C | 1016L189C | 1016L190C | 1016L191C | 1016L192C |
| T -> | 1016L001C | 1016L002C | 1016L003C | 1016L004C | 1016L005C | 1016L006C | 1016L007C | 1016L008C | 1016L009C | 1016L010C |
| | 1SV12K007 | 1SV13K007 | 1SV15K007 | 1SV17K011 | 1SV19K011 | 1SV22K011 | 1SV25K015 | 1SV27K015 | 1SV30K015 | 1SV32K022 |
| M -> | 1016L193C | 1016L194C | 1016L196C | 1016L198C | 1016L200C | 1016L203C | 1016L206C | 1016L208C | 1016L211C | 1016L213C |
| T -> | 1016L011C | 1016L012C | 1016L014C | 1016L016C | 1016L018C | 1016L021C | 1016LA02C | 1016LA04C | 1016LA07C | 1016LA09C |
| T/D -> | 1016LC11C | 1016LC12C | 1016LC14C | 1016LC16C | 1016LC18C | 1016LC21C | 1016LC25C | 1016LC26C | 1016LC29C | 1016LC31C |
| | 1SV34K022 | 1SV37K022 | | | | | | | | |
| M -> | 1016L215C | 1016L218C | | | | | | | | |
| T -> | 1016LA11C | 1016LA14C | | | | | | | | |
| T/D -> | 1016LC33C | 1016LC36C | | | | | | | | |
| -> eSV T/D Pumps Mounting Motors IE3 since 0,75 kW | | | | | | | | | | |

Common, Single Unit and kit

| | | | |
|----|-----------|-----------|-------------------|
| 3 | Base | 161431310 | -> 1-3-5 SV N-V-K |
| | | 161431300 | -> 1-3-5SV C |
| 14 | Pump body | 151302322 | -> 1-3SVN |
| | | 151302352 | -> 1-3-5SV C |
| | | 151302362 | -> 1-3-5SV V-P |
| | | 151302362 | -> 1-3-5SV K |

Service kit

| | | | | | | | | | | | |
|---|---------------------|-----------|-----------|-----------|-----------|-----------|-----------|-----------|-----------|-----------|-----------|
| - | Pump stack 1SV EPDM | 102882014 | 102882024 | 102882034 | 102882044 | 102882054 | 102882064 | 102882074 | 102882084 | 102882094 | 102882104 |
| | | 102882114 | 102882124 | 102882144 | 102882164 | 102882184 | 102882214 | 102882244 | 102882264 | 102882294 | 102882314 |
| | | 102882334 | 102882364 | | | | | | | | |

1SV N 4 Pole

| ELP 4 P, 3 ~ | | | | | | | | | | |
|------------------|------------|------------|------------|------------|------------|------------|------------|------------|------------|------------|
| N Version | | | | | | | | | | |
| T -> | 1SV02N0024 | 1SV05N0024 | 1SV08N0024 | 1SV11N0024 | 1SV15N0024 | 1SV19N0024 | 1SV22N0024 | 1SV27N0024 | 1SV30N0024 | 1SV34N0024 |
| | 1016L2894 | 1016L2924 | 1016L2954 | 1016L2984 | 1016L3024 | 1016L3064 | 1016L3094 | 1016L3144 | 1016L3174 | 1016L3214 |
| | 1SV37N0024 | | | | | | | | | |
| T -> | 1016L3244 | | | | | | | | | |

Service kit

| | | | | | | | | | | | |
|---|---------------------|-----------|-----------|-----------|-----------|-----------|-----------|-----------|-----------|-----------|-----------|
| - | Pump stack 1SV EPDM | 102882014 | 102882044 | 102882074 | 102882104 | 102882144 | 102882184 | 102882214 | 102882264 | 102882294 | 102882334 |
| | | 102882364 | | | | | | | | | |

For common components pls see spare part lists 1-22SVN

* Recommended spare parts - Parti di ricambio consigliate

* Pièces détachées conseillées - Empfohlene Ersatzteile

1-22SVN_5_Sept11_EdD

Specific components related to 3SV N-V-C-K 2 Pole (/D)

| ELP 2 P | | | | | | | | | | |
|--|-----------|-----------|-----------|-----------|-----------|-----------|-----------|-----------|-----------|-----------|
| N Version | | | | | | | | | | |
| M -> | 3SV02N003 | 3SV03N003 | 3SV04N003 | 3SV05N005 | 3SV06N005 | 3SV07N007 | 3SV08N007 | 3SV09N011 | 3SV10N011 | 3SV11N011 |
| T -> | 1016L2234 | 1016L2244 | 1016L2254 | 1016L2264 | 1016L2274 | 1016L2284 | 1016L2294 | 1016L2304 | 1016L2314 | 1016L2324 |
| T - T/D -> | 1016L0424 | 1016L0434 | 1016L0444 | 1016L0454 | 1016L0464 | 1016L0474 | 1016L0484 | 1016L0494 | 1016L0504 | 1016L0514 |
| | 1016L0424 | 1016L0434 | 1016L0444 | 1016L0454 | 1016L0464 | 1016LC474 | 1016LC484 | 1016LC494 | 1016LC504 | 1016LC514 |
| | 3SV12N011 | 3SV13N015 | 3SV14N015 | 3SV16N015 | 3SV19N022 | 3SV21N022 | 3SV23N022 | 3SV25N022 | 3SV27N030 | 3SV29N030 |
| M -> | 1016L2334 | 1016L2344 | 1016L2354 | 1016L2374 | 1016L2404 | 1016L2424 | 1016L2444 | 1016L2464 | | |
| T -> | 1016L0524 | 1016LA194 | 1016LA204 | 1016LA224 | 1016LA254 | 1016LA274 | 1016LA294 | 1016LA314 | 1016LA334 | 1016LA354 |
| T/D -> | 1016LC524 | 1016LC534 | 1016LC544 | 1016LC564 | 1016LC594 | 1016LC614 | 1016LC634 | 1016LC654 | 1016LC674 | 1016LC694 |
| | 3SV31N030 | 3SV33N030 | | | | | | | | |
| M -> | | | | | | | | | | |
| T -> | 1016LA374 | 1016LA394 | | | | | | | | |
| T/D -> | 1016LC714 | 1016LC734 | | | | | | | | |
| V Version | | | | | | | | | | |
| M -> | 3SV02V003 | 3SV03V003 | 3SV04V003 | 3SV05V005 | 3SV06V005 | 3SV07V007 | 3SV08V007 | 3SV09V011 | 3SV10V011 | 3SV11V011 |
| T -> | 1016L2235 | 1016L2245 | 1016L2255 | 1016L2265 | 1016L2275 | 1016L2285 | 1016L2295 | 1016L2305 | 1016L2315 | 1016L2325 |
| T - T/D -> | 1016L0425 | 1016L0435 | 1016L0445 | 1016L0455 | 1016L0465 | 1016L0475 | 1016L0485 | 1016L0495 | 1016L0505 | 1016L0515 |
| | 1016L0425 | 1016L0435 | 1016L0445 | 1016L0455 | 1016L0465 | 1016LC475 | 1016LC485 | 1016LC495 | 1016LC505 | 1016LC515 |
| | 3SV12V011 | 3SV13V015 | 3SV14V015 | 3SV16V015 | 3SV19V022 | 3SV21V022 | 3SV23V022 | 3SV25V022 | 3SV27V030 | 3SV29V030 |
| M -> | 1016L2335 | 1016L2345 | 1016L2355 | 1016L2375 | 1016L2405 | 1016L2425 | 1016L2445 | 1016L2465 | | |
| T -> | 1016L0525 | 1016LA195 | 1016LA205 | 1016LA225 | 1016LA255 | 1016LA275 | 1016LA295 | 1016LA315 | 1016LA335 | 1016LA355 |
| T/D -> | 1016LC525 | 1016LC535 | 1016LC546 | 1016LC565 | 1016LC595 | 1016LC615 | 1016LC635 | 1016LC655 | 1016LC675 | 1016LC695 |
| | 3SV31V030 | 3SV33V030 | | | | | | | | |
| M -> | | | | | | | | | | |
| T -> | 1016LA375 | 1016LA395 | | | | | | | | |
| T/D -> | 1016LC715 | 1016LC735 | | | | | | | | |
| C Version | | | | | | | | | | |
| M -> | 3SV02C003 | 3SV03C003 | 3SV04C003 | 3SV05C005 | 3SV06C005 | 3SV07C007 | 3SV08C007 | 3SV09C011 | 3SV10C011 | 3SV11C011 |
| T -> | 1016L223B | 1016L224B | 1016L225B | 1016L226B | 1016L227B | 1016L228B | 1016L229B | 1016L230B | 1016L231B | 1016L232B |
| T - T/D -> | 1016L042B | 1016L043B | 1016L044B | 1016L045B | 1016L046B | 1016L047B | 1016L048B | 1016L049B | 1016L050B | 1016L051B |
| | 1016L042B | 1016L043B | 1016L044B | 1016L045B | 1016L046B | 1016LC47B | 1016LC48B | 1016LC49B | 1016LC50B | 1016LC51B |
| | 3SV12C011 | 3SV13C015 | 3SV14C015 | 3SV16C015 | 3SV19C022 | 3SV21C022 | 3SV23C022 | 3SV25C022 | 3SV27C030 | 3SV29C030 |
| M -> | 1016L233B | 1016L234B | 1016L235B | 1016L237B | 1016L240B | 1016L242B | 1016L244B | 1016L246B | | |
| T -> | 1016L052B | 1016LA19B | 1016LA20B | 1016LA22B | 1016LA25B | 1016LA27B | 1016LA29B | 1016LA31B | 1016LA33B | 1016LA35B |
| T/D -> | 1016LC52B | 1016LC53B | 1016LC54B | 1016LC56B | 1016LC59B | 1016LC61B | 1016LC63B | 1016LC65B | 1016LC67B | 1016LC69B |
| | 3SV31C030 | 3SV33C030 | | | | | | | | |
| M -> | | | | | | | | | | |
| T -> | 1016LA37B | 1016LA39B | | | | | | | | |
| T/D -> | 1016LC71B | 1016LC73B | | | | | | | | |
| K Version | | | | | | | | | | |
| M -> | 3SV02K003 | 3SV03K003 | 3SV04K003 | 3SV05K005 | 3SV06K005 | 3SV07K007 | 3SV08K007 | 3SV09K011 | 3SV10K011 | 3SV11K011 |
| T -> | 1016L223C | 1016L224C | 1016L225C | 1016L226C | 1016L227C | 1016L228C | 1016L229C | 1016L230C | 1016L231C | 1016L232C |
| T - T/D -> | 1016L042C | 1016L043C | 1016L044C | 1016L045C | 1016L046C | 1016L047C | 1016L048C | 1016L049C | 1016L050C | 1016L051C |
| | 1016L042C | 1016L043C | 1016L044C | 1016L045C | 1016L046C | 1016LC47C | 1016LC48C | 1016LC49C | 1016LC50C | 1016LC51C |
| | 3SV12K011 | 3SV13K015 | 3SV14K015 | 3SV16K015 | 3SV19K022 | 3SV21K022 | 3SV23K022 | 3SV25K022 | 3SV27K030 | 3SV29K030 |
| M -> | 1016L233C | 1016L234C | 1016L235C | 1016L237C | 1016L240C | 1016L242C | 1016L244C | 1016L246C | | |
| T -> | 1016L052C | 1016LA19C | 1016LA20C | 1016LA22C | 1016LA25C | 1016LA27C | 1016LA29C | 1016LA31C | 1016LA33C | 1016LA35C |
| T/D -> | 1016LC52C | 1016LC53C | 1016LC54C | 1016LC56C | 1016LC59C | 1016LC61C | 1016LC63C | 1016LC65C | 1016LC67C | 1016LC69C |
| | 3SV31K030 | 3SV33K030 | | | | | | | | |
| M -> | | | | | | | | | | |
| T -> | 1016LA37C | 1016LA39C | | | | | | | | |
| T/D -> | 1016LC71C | 1016LC73C | | | | | | | | |
| -> eSV T/D Pumps Mounting Motors IE3 since 0,75 kW | | | | | | | | | | |

Common, Single Unit and kit

| | | | |
|----|-----------|-----------|-------------------|
| 3 | Base | 161431310 | -> 1-3-5 SV N-V-K |
| | | 161431300 | -> 1-3-5 SV C |
| 14 | Pump body | 151302322 | -> 1-3SV N |
| | | 151302352 | -> 1-3SVC |
| | | 151302362 | -> 1-3SV V-P |
| | | 151302362 | -> 1-3SV K |

Service Kit

| | | | | | | | | | | | |
|---|---------------------|-----------|-----------|-----------|-----------|-----------|-----------|-----------|-----------|-----------|-----------|
| - | Pump stack 3SV EPDM | 102882414 | 102882424 | 102882434 | 102882444 | 102882454 | 102882464 | 102882474 | 102882484 | 102882494 | 102882504 |
| | | 102882514 | 102882524 | 102882534 | 102882554 | 102882584 | 102882604 | 102882624 | 102882644 | 102882664 | 102882684 |
| | | 102882704 | 102882724 | | | | | | | | |

3SV N 4 Pole

| ELP 4 P, 3 ~ | | | | | | | | | | |
|------------------|------------|------------|------------|------------|------------|------------|------------|------------|------------|--|
| N Version | | | | | | | | | | |
| T -> | 3SV02N0024 | 3SV05N0024 | 3SV08N0024 | 3SV11N0024 | 3SV14N0024 | 3SV19N0024 | 3SV23N0024 | 3SV27N0034 | 3SV33N0034 | |
| | 1016L3304 | 1016L3334 | 1016L3364 | 1016L3394 | 1016L3424 | 1016L3474 | 1016L3514 | 1016L3554 | 1016L3614 | |

Service Kit

| | | | | | | | | | | |
|---|---------------------|-----------|-----------|-----------|-----------|-----------|-----------|-----------|-----------|-----------|
| - | Pump stack 3SV EPDM | 102882414 | 102882444 | 102882474 | 102882504 | 102882534 | 102882584 | 102882624 | 102882664 | 102882724 |
|---|---------------------|-----------|-----------|-----------|-----------|-----------|-----------|-----------|-----------|-----------|

For common components pls see spare part lists 1-22SV N

* Recommended spare parts - Parti di ricambio consigliate

* Pièces détachées conseillées - Empfohlene Ersatzteile

Specific components related to 5SV N-V-C-K 2 Pole (/D)

Production date >Sept 2011

| ELP 2 P | | | | | | | | | | |
|--|-----------|-----------|-----------|-----------|-----------|-----------|-----------|-----------|-----------|-----------|
| N Version | | | | | | | | | | |
| M -> | 5SV02N003 | 5SV03N005 | 5SV04N005 | 5SV05N007 | 5SV06N011 | 5SV07N011 | 5SV08N011 | 5SV09N015 | 5SV10N015 | 5SV11N015 |
| T -> | 1016L2514 | 1016L2524 | 1016L2534 | 1016L2544 | 1016L2554 | 1016L2564 | 1016L2574 | 1016L2584 | 1016L2594 | 1016L2604 |
| T - T/D -> | 1016L0794 | 1016L0804 | 1016L0814 | 1016L0824 | 1016L0834 | 1016L0844 | 1016L0854 | 1016LA444 | 1016LA454 | 1016LA464 |
| M -> | 5SV12N022 | 5SV13N022 | 5SV14N022 | 5SV15N022 | 5SV16N022 | 5SV18N030 | 5SV21N030 | 5SV23N040 | 5SV25N040 | 5SV28N040 |
| T -> | 1016L2614 | 1016L2624 | 1016L2634 | 1016L2644 | 1016L2654 | | | | | |
| T/D -> | 1016LA474 | 1016LA484 | 1016LA494 | 1016LA504 | 1016LA514 | 1016LA534 | 1016LA564 | 1016L1004 | 1016L1024 | 1016L1054 |
| M -> | 5SV30N055 | 5SV33N055 | | | | | | | | |
| T -> | 1016L1074 | 1016L1104 | | | | | | | | |
| T/D -> | 1016LD074 | 1016LD104 | | | | | | | | |
| V Version | | | | | | | | | | |
| M -> | 5SV02V003 | 5SV03V005 | 5SV04V005 | 5SV05V007 | 5SV06V011 | 5SV07V011 | 5SV08V011 | 5SV09V015 | 5SV10V015 | 5SV11V015 |
| T -> | 1016L2515 | 1016L2525 | 1016L2535 | 1016L2545 | 1016L2555 | 1016L2565 | 1016L2575 | 1016L2585 | 1016L2595 | 1016L2605 |
| T - T/D -> | 1016L0795 | 1016L0805 | 1016L0815 | 1016L0825 | 1016L0835 | 1016L0845 | 1016L0855 | 1016LA445 | 1016LA455 | 1016LA465 |
| M -> | 5SV12V022 | 5SV13V022 | 5SV14V022 | 5SV15V022 | 5SV16V022 | 5SV18V030 | 5SV21V030 | 5SV23V040 | 5SV25V040 | 5SV28V040 |
| T -> | 1016L2615 | 1016L2625 | 1016L2635 | 1016L2645 | 1016L2655 | | | | | |
| T/D -> | 1016LA475 | 1016LA485 | 1016LA495 | 1016LA505 | 1016LA515 | 1016LA535 | 1016LA565 | 1016L1005 | 1016L1025 | 1016L1055 |
| M -> | 5SV30V055 | 5SV33V055 | | | | | | | | |
| T -> | 1016L1075 | 1016L1105 | | | | | | | | |
| T/D -> | 1016LD075 | 1016LD105 | | | | | | | | |
| C Version | | | | | | | | | | |
| M -> | 5SV02C003 | 5SV03C005 | 5SV04C005 | 5SV05C007 | 5SV06C011 | 5SV07C011 | 5SV08C011 | 5SV09C015 | 5SV10C015 | 5SV11C015 |
| T -> | 1016L251B | 1016L252B | 1016L253B | 1016L254B | 1016L255B | 1016L256B | 1016L257B | 1016L258B | 1016L259B | 1016L260B |
| T - T/D -> | 1016L079B | 1016L080B | 1016L081B | 1016L082B | 1016L083B | 1016L084B | 1016L085B | 1016LA44B | 1016LA45B | 1016LA46B |
| M -> | 5SV12C022 | 5SV13C022 | 5SV14C022 | 5SV15C022 | 5SV16C022 | 5SV18C030 | 5SV21C030 | 5SV23C040 | 5SV25C040 | 5SV28C040 |
| T -> | 1016L261B | 1016L262B | 1016L263B | 1016L264B | 1016L265B | | | | | |
| T/D -> | 1016LA47B | 1016LA48B | 1016LA49B | 1016LA50B | 1016LA51B | 1016LA53B | 1016LA56B | 1016L100B | 1016L102B | 1016L105B |
| M -> | 5SV30C055 | 5SV33C055 | | | | | | | | |
| T -> | 1016L107B | 1016L110B | | | | | | | | |
| T/D -> | 1016LD07B | 1016LD10B | | | | | | | | |
| K Version | | | | | | | | | | |
| M -> | 5SV02K003 | 5SV03K005 | 5SV04K005 | 5SV05K007 | 5SV06K011 | 5SV07K011 | 5SV08K011 | 5SV09K015 | 5SV10K015 | 5SV11K015 |
| T -> | 1016L251C | 1016L252C | 1016L253C | 1016L254C | 1016L255C | 1016L256C | 1016L257C | 1016L258C | 1016L259C | 1016L260C |
| T - T/D -> | 1016L079C | 1016L080C | 1016L081C | 1016L082C | 1016L083C | 1016L084C | 1016L085C | 1016LA44C | 1016LA45C | 1016LA46C |
| M -> | 5SV12K022 | 5SV13K022 | 5SV14K022 | 5SV15K022 | 5SV16K022 | 5SV18K030 | 5SV21K030 | 5SV23K040 | 5SV25K040 | 5SV28K040 |
| T -> | 1016L261C | 1016L262C | 1016L263C | 1016L264C | 1016L265C | | | | | |
| T/D -> | 1016LA47C | 1016LA48C | 1016LA49C | 1016LA50C | 1016LA51C | 1016LA53C | 1016LA56C | 1016L100C | 1016L102C | 1016L105C |
| M -> | 5SV30K055 | 5SV33K055 | | | | | | | | |
| T -> | 1016L107C | 1016L110C | | | | | | | | |
| T/D -> | 1016LD07C | 1016LD10C | | | | | | | | |
| -> eSV T/D Pumps Mounting Motors IE3 since 0,75 kW | | | | | | | | | | |

Common, Single Unit and kit

| | | | |
|----|-----------|-----------|-------------------|
| 3 | Base | 161431310 | -> 1-3-5 SV N-V-K |
| | | 161431300 | -> 1-3-5SV C |
| 14 | Pump body | 151302352 | -> 1-3-5 SV C |
| | | 151302362 | -> 1-3-5 SV V-P |
| | | 151302372 | -> 1-3-5 SV K |
| | | 151302402 | -> 5SV N |

Service Kit

| | | | | | | | | | | | |
|---|---------------------|-----------|-----------|-----------|-----------|-----------|-----------|-----------|-----------|-----------|-----------|
| - | Pump stack 5SV EPDM | 102882784 | 102882794 | 102882804 | 102882814 | 102882824 | 102882834 | 102882844 | 102882854 | 102882864 | 102882874 |
| | | 102882884 | 102882894 | 102882904 | 102882914 | 102882924 | 102882944 | 102882974 | 102882994 | 102883014 | 102883044 |
| | | 102883064 | 102883094 | | | | | | | | |

5SV N 4 Pole

| ELP 2 P | | | | | | | | | | |
|------------------|------------|------------|------------|------------|------------|------------|------------|------------|------------|------------|
| N Version | | | | | | | | | | |
| T -> | 5SV03N0024 | 5SV06N0024 | 5SV09N0024 | 5SV12N0024 | 5SV15N0034 | 5SV18N0034 | 5SV21N0034 | 5SV25N0054 | 5SV28N0054 | 5SV33N0074 |
| | 1016L3684 | 1016L3714 | 1016L3744 | 1016L3774 | 1016L3804 | 1016L3834 | 1016L3864 | 1016L3904 | 1016L3934 | 1016L3944 |

Service Kit

| | | | | | | | | | | | |
|---|---------------------|-----------|-----------|-----------|-----------|-----------|-----------|-----------|-----------|-----------|-----------|
| - | Pump stack 5SV EPDM | 102882794 | 102882824 | 102882854 | 102882884 | 102882914 | 102882944 | 102882974 | 102883014 | 102883044 | 102883094 |
|---|---------------------|-----------|-----------|-----------|-----------|-----------|-----------|-----------|-----------|-----------|-----------|

For common components pls see spare part lists 1-22SV N

* Recommended spare parts - Parti di ricambio consigliate
 * Pièces détachées conseillées - Empfohlene Ersatzteile

Specific components related to 10SV N-V-C-K 2 Pole (/D)

| ELP 2P | | | | | | | | | | |
|--|-------------------|-------------------|-------------------|-------------------|-------------------|-------------------|-------------------|-------------------|-------------------|-------------------|
| N Version | 10SV01N007 | 10SV02N007 | 10SV03N011 | 10SV04N015 | 10SV05N022 | 10SV06N022 | 10SV07N030 | 10SV08N030 | 10SV09N040 | 10SV10N040 |
| M-> | 1016L2694 | 1016L2704 | 1016L2714 | 1016L2724 | 1016L2734 | 1016L2744 | | | | |
| T-> | 1016L1154 | 1016L1164 | 1016L1174 | 1016LA614 | 1016LA624 | 1016LA634 | 1016LA644 | 1016LA654 | 1016L1234 | 1016L1244 |
| T/D-> | 1016LD154 | 1016LD164 | 1016LD174 | 1016LD184 | 1016LD194 | 1016LD204 | 1016LD214 | 1016LD224 | 1016LD234 | 1016LD244 |
| | 10SV11N040 | 10SV13N055 | 10SV15N055 | 10SV17N075 | 10SV18N075 | 10SV20N075 | 10SV21N110 | | | |
| M-> | | | | | | | | | | |
| T-> | 1016L1254 | 1016L1274 | 1016L1294 | 1016L1314 | 1016L1324 | 1016L1344 | 1016L1354 | | | |
| T/D-> | 1016LD254 | 1016LD274 | 1016LD294 | 1016LD314 | 1016LD324 | 1016LD344 | 1016LD354 | | | |
| V Version | 10SV01V007 | 10SV02V007 | 10SV03V011 | 10SV04V015 | 10SV05V022 | 10SV06V022 | 10SV07V030 | 10SV08V030 | 10SV09V040 | 10SV10V040 |
| M-> | 1016L2695 | 1016L2705 | 1016L2715 | 1016L2725 | 1016L2735 | 1016L2745 | | | | |
| T-> | 1016L1155 | 1016L1165 | 1016L1175 | 1016LA615 | 1016LA625 | 1016LA635 | 1016LA645 | 1016LA655 | 1016L1235 | 1016L1245 |
| T/D-> | 1016LD155 | 1016LD165 | 1016LD175 | 1016LD185 | 1016LD195 | 1016LD205 | 1016LD215 | 1016LD225 | 1016LD235 | 1016LD245 |
| | 10SV11V040 | 10SV13V055 | 10SV15V055 | 10SV17V075 | 10SV18V075 | 10SV20V075 | 10SV21V110 | | | |
| M-> | | | | | | | | | | |
| T-> | 1016L1255 | 1016L1275 | 1016L1295 | 1016L1315 | 1016L1325 | 1016L1345 | 1016L1355 | | | |
| T/D-> | 1016LD255 | 1016LD275 | 1016LD295 | 1016LD315 | 1016LD325 | 1016LD345 | 1016LD355 | | | |
| C Version | 10SV01C007 | 10SV02C007 | 10SV03C011 | 10SV04C015 | 10SV05C022 | 10SV06C022 | 10SV07C030 | 10SV08C030 | 10SV09C040 | 10SV10C040 |
| M-> | 1016L269B | 1016L270B | 1016L271B | 1016L272B | 1016L273B | 1016L274B | | | | |
| T-> | 1016L115B | 1016L116B | 1016L117B | 1016LA61B | 1016LA62B | 1016LA63B | 1016LA64B | 1016LA65B | 1016L123B | 1016L124B |
| T/D-> | 1016LD15B | 1016LD16B | 1016LD17B | 1016LD18B | 1016LD19B | 1016LD20B | 1016LD21B | 1016LD22B | 1016LD23B | 1016LD24B |
| | 10SV11C040 | 10SV13C055 | 10SV15C055 | 10SV17C075 | 10SV18C075 | 10SV20C075 | 10SV21C110 | | | |
| M-> | | | | | | | | | | |
| T-> | 1016L125B | 1016L127B | 1016L129B | 1016L131B | 1016L132B | 1016L134B | 1016L135B | | | |
| T/D-> | 1016LD25B | 1016LD27B | 1016LD29B | 1016LD31B | 1016LD32B | 1016LD34B | 1016LD35B | | | |
| K Version | 10SV01K007 | 10SV02K007 | 10SV03K011 | 10SV04K015 | 10SV05K022 | 10SV06K022 | 10SV07K030 | 10SV08K030 | 10SV09K040 | 10SV10K040 |
| M-> | 1016L269C | 1016L270C | 1016L271C | 1016L272C | 1016L273C | 1016L274C | | | | |
| T-> | 1016L115C | 1016L116C | 1016L117C | 1016LA61C | 1016LA62C | 1016LA63C | 1016LA64C | 1016LA65C | 1016L123C | 1016L124C |
| T/D-> | 1016LD15C | 1016LD16C | 1016LD17C | 1016LD18C | 1016LD19C | 1016LD20C | 1016LD21C | 1016LD22C | 1016LD23C | 1016LD24C |
| | 10SV11K040 | 10SV13K055 | 10SV15K055 | 10SV17K075 | 10SV18K075 | 10SV20K075 | 10SV21K110 | | | |
| M-> | | | | | | | | | | |
| T-> | 1016L125C | 1016L127C | 1016L129C | 1016L131C | 1016L132C | 1016L134C | 1016L135C | | | |
| T/D-> | 1016LD25C | 1016LD27C | 1016LD29C | 1016LD31C | 1016LD32C | 1016LD34C | 1016LD35C | | | |
| -> eSV T/D Pumps Mounting Motors IE3 since 0,75 kW | | | | | | | | | | |

Common, Single Unit and Kit

| | | | |
|----|-----------|-----------|-------------------|
| 3 | Base | 161431330 | -> 10SV N - C |
| | | 161431350 | -> 10SV V - P - K |
| 14 | Pump body | 151302452 | -> 10SVN PN 40 |
| | | 151302482 | -> 10SVC |
| | | 151302492 | -> 10SVV-P |
| | | 151302502 | -> 10SVK |

Service Kit

| | | | | | | | | | | | |
|---|----------------|-----------|-----------|-----------|-----------|-----------|-----------|-----------|-----------|-----------|-----------|
| - | Pump stack 10S | 102883144 | 102883154 | 102883164 | 102883174 | 102883184 | 102883194 | 102883204 | 102883224 | 102883244 | 102883264 |
| | EPDM | 102883284 | 102883334 | 102883374 | 102883414 | 102883434 | 102883474 | 102883494 | | | |

10SVN 4 Pole (/D)

| ELP 4P, 3 ~ | | | | | | | | | | |
|--|--------------------|--------------------|--------------------|--------------------|--------------------|--------------------|--------------------|--------------------|--------------------|--|
| Version N | 10SV04N0054 | 10SV06N0054 | 10SV08N0054 | 10SV10N0054 | 10SV13N0074 | 10SV15N0074 | 10SV17N0114 | 10SV19N0114 | 10SV21N0114 | |
| T-> | 1016L4064 | 1016L4084 | 1016L4104 | 1016L4124 | 1016LB594 | 1016LB614 | 1016L4194 | 1016L4214 | 1016L4234 | |
| T - T/D-> | 1016L4064 | 1016L4084 | 1016L4104 | 1016L4124 | 1016LB594 | 1016LB614 | 1016LG194 | 1016LG214 | 1016LG234 | |
| -> eSV T/D Pumps Mounting Motors IE3 since 1,10 kW | | | | | | | | | | |

Service Kit

| | | | | | | | | | | |
|---|----------------|-----------|-----------|-----------|-----------|-----|-----|-----|-----|-----|
| - | Pump stack 10S | 102883174 | 102883194 | 102883224 | 102883264 | TbD | TbD | TbD | TbD | TbD |
| | EPDM | | | | | | | | | |

For common components pls see spare part lists 1-22SVN

TbD: Part Number To be Defined

* Recommended spare parts - Parti di ricambio consigliate
 * Pièces détachées conseillées - Empfohlene Ersatzteile

Specific components related to 15SV N-V-C-K 2 Pole (/D)

| ELP 2P | | | | | | | | | | | |
|------------------|---|------------|------------|------------|------------|------------|------------|------------|------------|------------|------------|
| N Version | 15SV01N011 | 15SV02N022 | 15SV03N030 | 15SV04N040 | 15SV05N040 | 15SV06N055 | 15SV07N055 | 15SV08N075 | 15SV09N075 | 15SV10N110 | |
| | M-> | 1016L2784 | 1016L2794 | | | | | | | | |
| | T-> | 1016L1404 | 1016LA704 | 1016LA714 | 1016L1434 | 1016L1444 | 1016L1454 | 1016L1464 | 1016L1474 | 1016L1484 | 1016L1494 |
| | T/D-> | 1016LD404 | 1016LD414 | 1016LD424 | 1016LD434 | 1016LD444 | 1016LD454 | 1016LD464 | 1016LD474 | 1016LD484 | 1016LD494 |
| | | 15SV11N110 | 15SV13N110 | 15SV15N150 | 15SV17N150 | | | | | | |
| | M-> | | | | | | | | | | |
| | T-> | 1016L1504 | 1016L1524 | 1016L1544 | 1016L1564 | | | | | | |
| | T/D-> | 1016LD504 | 1016LD524 | 1016LD544 | 1016LD564 | | | | | | |
| | V Version | 15SV01V011 | 15SV02V022 | 15SV03V030 | 15SV04V040 | 15SV05V040 | 15SV06V055 | 15SV07V055 | 15SV08V075 | 15SV09V075 | 15SV10V110 |
| | M-> | 1016L2785 | 1016L2795 | | | | | | | | |
| T-> | 1016L1405 | 1016LA705 | 1016LA715 | 1016L1435 | 1016L1445 | 1016L1455 | 1016L1465 | 1016L1475 | 1016L1485 | 1016L1495 | |
| T/D-> | 1016LD405 | 1016LD415 | 1016LD425 | 1016LD435 | 1016LD445 | 1016LD455 | 1016LD465 | 1016LD475 | 1016LD485 | 1016LD495 | |
| | 15SV11V110 | 15SV13V110 | 15SV15V150 | 15SV17V150 | | | | | | | |
| M-> | | | | | | | | | | | |
| T-> | 1016L1505 | 1016L1525 | 1016L1545 | 1016L1565 | | | | | | | |
| T/D-> | 1016LD505 | 1016LD525 | 1016LD545 | 1016LD565 | | | | | | | |
| C Version | 15SV01C011 | 15SV02C022 | 15SV03C030 | 15SV04C040 | 15SV05C040 | 15SV06C055 | 15SV07C055 | 15SV08C075 | 15SV09C075 | 15SV10C110 | |
| M-> | 1016L278B | 1016L279B | | | | | | | | | |
| T-> | 1016L140B | 1016LA70B | 1016LA71B | 1016L143B | 1016L144B | 1016L145B | 1016L146B | 1016L147B | 1016L148B | 1016L149B | |
| T/D-> | 1016LD40B | 1016LD41B | 1016LD42B | 1016LD43B | 1016LD44B | 1016LD45B | 1016LD46B | 1016LD47B | 1016LD48B | 1016LD49B | |
| | 15SV11C110 | 15SV13C110 | 15SV15C150 | 15SV17C150 | | | | | | | |
| M-> | | | | | | | | | | | |
| T-> | 1016L150B | 1016L152B | 1016L154B | 1016L156B | | | | | | | |
| T/D-> | 1016LD50B | 1016LD52B | 1016LD54B | 1016LD56B | | | | | | | |
| K Version | 15SV01K011 | 15SV02K022 | 15SV03K030 | 15SV04K040 | 15SV05K040 | 15SV06K055 | 15SV07K055 | 15SV08K075 | 15SV09K075 | 15SV10K110 | |
| M-> | 1016L278C | 1016L279C | | | | | | | | | |
| T-> | 1016L140C | 1016LA70C | 1016LA71C | 1016L143C | 1016L144C | 1016L145C | 1016L146C | 1016L147C | 1016L148C | 1016L149C | |
| T/D-> | 1016LD40C | 1016LD41C | 1016LD42C | 1016LD43C | 1016LD44C | 1016LD45C | 1016LD46C | 1016LD47C | 1016LD48C | 1016LD49C | |
| | 15SV11K110 | 15SV13K110 | 15SV15K150 | 15SV17K150 | | | | | | | |
| M-> | | | | | | | | | | | |
| T-> | 1016L150C | 1016L152C | 1016L154C | 1016L156C | | | | | | | |
| T/D-> | 1016LD50C | 1016LD52C | 1016LD54C | 1016LD56C | | | | | | | |
| -> eSV T/D | Pumps Mounting Motors IE3 since 0,75 kW | | | | | | | | | | |

Common, Single Unit and Kit

| | | | |
|----|-----------|-----------|---------------|
| 14 | Pump body | 151302482 | -> 15SVC |
| | | 151302492 | -> 15SVV-P |
| | | 151302502 | -> 15SVK |
| | | 151302602 | -> 15SVN DN40 |

Service Kit

| | | | | | | | | | | | |
|---|-----------------|-----------|-----------|-----------|-----------|-----------|-----------|-----------|-----------|-----------|-----------|
| - | Pump stack 15SV | 102883584 | 102883594 | 102883604 | 102883614 | 102883634 | 102883664 | 102883684 | 102883704 | 102883724 | 102883744 |
| | EPDM | 102883764 | 102883804 | 102883844 | 102883884 | | | | | | |

10SVN 4 Pole (/D)

| ELP 4P, 3 ~ | | | | | | | | |
|------------------|-------------|---|-------------|-------------|-------------|-------------|-------------|-----------|
| N Version | 15SV05N0054 | 15SV07N0074 | 15SV09N0114 | 15SV11N0114 | 15SV13N0154 | 15SV15N0154 | 15SV17N0224 | |
| | T-> | 1016L4324 | 1016LB634 | 1016L4364 | 1016L4384 | 1016L4404 | 1016L4424 | 1016L4444 |
| | T - T/D-> | 1016L4324 | 1016LB634 | 1016LG364 | 1016LG384 | 1016LG404 | 1016LG424 | 1016LG444 |
| | -> eSV T/D | Pumps Mounting Motors IE3 since 1,10 kW | | | | | | |

Service Kit

| | | | | | | | | |
|---|-----------------|-----------|-----|-----|-----|-----|-----|-----|
| - | Pump stack 15SV | 102883634 | TbD | TbD | TbD | TbD | TbD | TbD |
| | EPDM | | | | | | | |

For common components pls see spare part lists 1-22SV N

TbD: Part Number To be Defined

* Recommended spare parts - Parti di ricambio consigliate

* Pièces détachées conseillées - Empfohlene Ersatzteile

1-22SVN_5_Sept11_EdC

Specific components related to

22SV N-V-C-K 2 Pole (/D)

| ELP 2P | | | | | | | | | | | |
|------------------|------------------|---|------------|------------|------------|------------|------------|------------|------------|------------|------------|
| N Version | 22SV01N011 | 22SV02N022 | 22SV03N030 | 22SV04N040 | 22SV05N055 | 22SV06N075 | 22SV07N075 | 22SV08N110 | 22SV09N110 | 22SV10N110 | |
| | M-> | 1016L2835 | 1016L2844 | | | | | | | | |
| | T-> | 1016L1614 | 1016LA764 | 1016LA774 | 1016L1644 | 1016L1654 | 1016L1664 | 1016L1674 | 1016L1684 | 1016L1694 | 1016L1704 |
| | T/D-> | 1016LD614 | 1016LD624 | 1016LD634 | 1016LD644 | 1016LD654 | 1016LD664 | 1016LD674 | 1016LD684 | 1016LD694 | 1016LD704 |
| | | 22SV12N150 | 22SV14N150 | 22SV17N185 | | | | | | | |
| | M-> | | | | | | | | | | |
| | T-> | 1016L1724 | 1016L1744 | 1016L1774 | | | | | | | |
| | T/D-> | 1016LD724 | 1016LD744 | 1016LD774 | | | | | | | |
| | V Version | 22SV01V011 | 22SV02V022 | 22SV03V030 | 22SV04V040 | 22SV05V055 | 22SV06V075 | 22SV07V075 | 22SV08V110 | 22SV09V110 | 22SV10V110 |
| | | M-> | 1016L2835 | 1016L2845 | | | | | | | |
| T-> | | 1016L1615 | 1016LA765 | 1016LA775 | 1016L1645 | 1016L1655 | 1016L1665 | 1016L1675 | 1016L1685 | 1016L1695 | 1016L1705 |
| T/D-> | | 1016LD615 | 1016LD625 | 1016LD635 | 1016LD645 | 1016LD655 | 1016LD665 | 1016LD675 | 1016LD685 | 1016LD695 | 1016LD705 |
| | | 22SV12V150 | 22SV14V150 | 22SV17V185 | | | | | | | |
| M-> | | | | | | | | | | | |
| T-> | | 1016L1725 | 1016L1745 | 1016L1775 | | | | | | | |
| T/D-> | | 1016LD725 | 1016LD745 | 1016LD775 | | | | | | | |
| C Version | | 22SV01C011 | 22SV02C022 | 22SV03C030 | 22SV04C040 | 22SV05C055 | 22SV06C075 | 22SV07C075 | 22SV08C110 | 22SV09C110 | 22SV10C110 |
| | | M-> | 1016L283B | 1016L284B | | | | | | | |
| | T-> | 1016L161B | 1016LA76B | 1016LA77B | 1016L164B | 1016L165B | 1016L166B | 1016L167B | 1016L168B | 1016L169B | 1016L170B |
| | T/D-> | 1016LD61B | 1016LD62B | 1016LD63B | 1016LD64B | 1016LD65B | 1016LD66B | 1016LD67B | 1016LD68B | 1016LD69B | 1016LD70B |
| | | 22SV12C150 | 22SV14C150 | 22SV17C185 | | | | | | | |
| | M-> | | | | | | | | | | |
| | T-> | 1016L172B | 1016L174B | 1016L177B | | | | | | | |
| | T/D-> | 1016LD72B | 1016LD74B | 1016LD77B | | | | | | | |
| | K Version | 22SV01K011 | 22SV02K022 | 22SV03K030 | 22SV04K040 | 22SV05K055 | 22SV06K075 | 22SV07K075 | 22SV08K110 | 22SV09K110 | 22SV10K110 |
| | | M-> | 1016L283C | 1016L284C | | | | | | | |
| T-> | | 1016L161C | 1016LA76C | 1016LA77C | 1016L164C | 1016L165C | 1016L166C | 1016L167C | 1016L168C | 1016L169C | 1016L170C |
| T/D-> | | 1016LD61C | 1016LD62C | 1016LD63C | 1016LD64C | 1016LD65C | 1016LD66C | 1016LD67C | 1016LD68C | 1016LD69C | 1016LD70C |
| | | 22SV12K150 | 22SV14K150 | 22SV17K185 | | | | | | | |
| M-> | | | | | | | | | | | |
| T-> | | 1016L172C | 1016L174C | 1016L177C | | | | | | | |
| T/D-> | | 1016LD72C | 1016LD74C | 1016LD77C | | | | | | | |
| -> eSV T/D | | Pumps Mounting Motors IE3 since 0,75 kW | | | | | | | | | |

Common, Single Unit and Kit

| | | | |
|----|-----------|-----------|---------------|
| 14 | Pump body | 151302482 | -> 22SVC |
| | | 151302492 | -> 22SVV-P |
| | | 151302502 | -> 22SVK |
| | | 151302602 | -> 22SVN DN40 |

Service Kit

| | | | | | | | | | | | |
|---|-----------------|-----------|-----------|-----------|-----------|-----------|-----------|-----------|-----------|-----------|-----------|
| - | Pump stack 22SV | 102883974 | 102883984 | 102883994 | 102884014 | 102884044 | 102884064 | 102884084 | 102884104 | 102884124 | 102884144 |
| | EPDM | 102884184 | 102884224 | 102884284 | | | | | | | |

22SVN 4 Pole (/D)

| ELP 4P, 3 ~ | | | | | | | | |
|------------------|---|-------------|-------------|-------------|-------------|-------------|-------------|-----------|
| N Version | 22SV04N0054 | 22SV06N0114 | 22SV08N0114 | 22SV10N0154 | 22SV12N0224 | 22SV14N0224 | 22SV17N0304 | |
| | T-> | 1016L4524 | 1016L4544 | 1016L4564 | 1016L4584 | 1016L4604 | 1016L4624 | 1016L4654 |
| | T - T/D-> | 1016L4524 | 1016LG544 | 1016LG564 | 1016LG584 | 1016LG604 | 1016LG624 | 1016LG654 |
| -> eSV T/D | Pumps Mounting Motors IE3 since 1,10 kW | | | | | | | |

Service Kit

| | | | | | | | | |
|---|-----------------|-----------|-----|-----------|-----------|-----------|-----|-----|
| - | Pump stack 22SV | 102884014 | TbD | 102884094 | 102884134 | 102884174 | TbD | TbD |
| | EPDM | | | | | | | |

For common components pls see spare part lists 1-22SVN

TbD: Part Number To be Defined

* Recommended spare parts - Parti di ricambio consigliate

* Pièces détachées conseillées - Empfohlene Ersatzteile