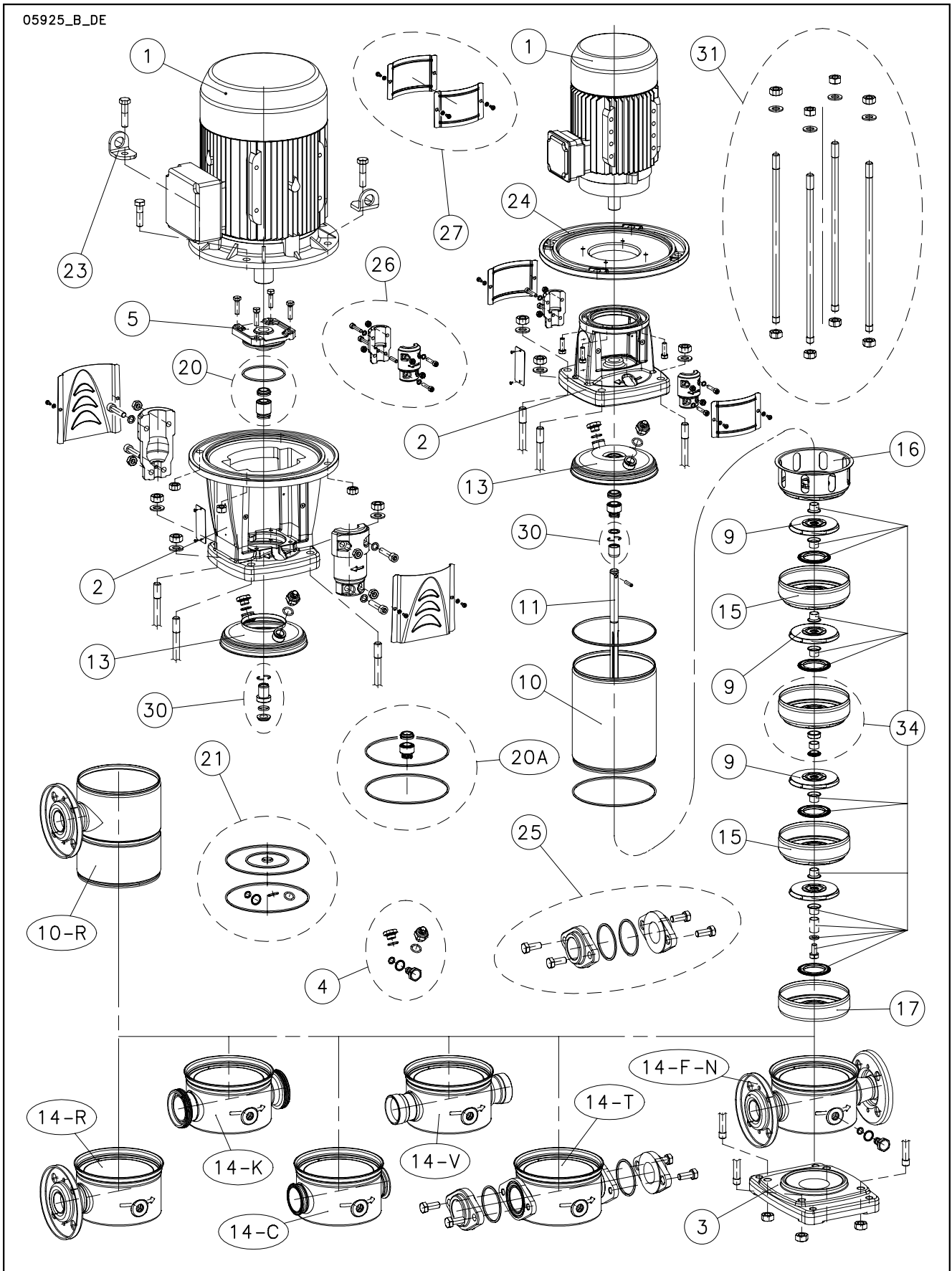


## 1, 3, 5, 10, 15, 22SV



Lowara and Vogel Pumpen are a trademark of Xylem Inc. or one of its subsidiaries. Goulds is a registered trademark of Goulds Pumps, Inc. and is used under license.

N.	Descrizione It	Description en	Description fr	Beschreibung de	Descripción es	Descrição pt
1	Motore	Motor	Moteur	Motor	Motor	Motor
2	Lanterna	Adaptor	Lanterne	Motorlanterne	Adaptador	Adaptador
3	Base	Basement	Base	Untersatz	Base	Base
4	Tappi	Plugs	Bouchons	Stopfen	Tapones	Tampões
5	Portatenuta superiore	Upper holder	Disque supérieure	Oberer dichtungsdeckel	Disco superior	Disco superior
9	Girante	Impeller	Roue	Laufrad	Rodete	Impulsor
10	Camicia	Sleeve	Chemise	Gehäuse	Camisa	Camisa
11	Albero	Shaft	Arbre	Welle	Árbol	Veio
13	Disco porta tenuta	Seal housing disc	Disque de garniture	Dichtungsdeckel	Disco de alojamiento sello	Disco porta-vedante
14	Corpo pompa	Pump body	Corps de pompe	Pumpengehäuse	Caja bomba	Corpo da bomba
15	Diffusore	Diffuser	Diffuseur	Diffusor	Difusor	Difusor
16	Diffusore finale	Last stage diffuser	Diffuseur dernier étage	Enddiffusor	Difusor final	Difusor final
17	Scatola stadio iniziale	Initial stage box	Box premier étage	Erste Stufe Diffusor	Caja etapa inicial	Carcaça primeira célula
20	Kit tenuta mecc. + OR	Mechanical seal + OR kit	Kit garniture mec. + joints toriques	Gleitringdichtung + O-Ring [Satz]	Kit sello mec. + junta tórica	Kit vedante mec. + OR
21	Kit guarnizioni OR	O ring kit	Kit joints toriques	Dichtungssatz	Kit juntas tóricas	Kit guarnições OR
23	Staffa sollevamento	Lifting bracket	Support de levage	Hebeösen	Soporte de elevación	Suporte de suspensão
24	Flangia motore	Motor flange	Bride moteur	Motorflansch	Brida motor	Flange motor
25	Kit controflangia ovale	O val counterflange kit	Kit contrebride ovale	Gegenflansch oval [Satz]	Kit contrafrida oval	Kit contraflange oval
26	Kit coppia di semigiunti	Pair of half coupling kit	Kit paire de demi-manchons	Kupplung [Satz]	Kit par de semijuntas	Kit par de semi-juntas
27	Kit protezione giunto	Coupling guard kit	Kit protection manchon	Kupplungsschutz [Satz]	Kit protección junta	Kit protecção junta
30	Kit bussola tenuta	Bush seal kit	Kit douille garniture	Gleitringdichtungsarretierung und mitnehmer	Kit casquillo sello	kit bucha vedante
31	Kit tiranti	Tie rods kit	Kit tirants	Zugstangen [Satz]	Kit tirantes	Kit tirantes
34	Kit parti di usura	Wear parts kit	Kit parties d'usure	Verschleißteile [Satz]	Kit piezas de desgaste	Kit peças desgastáveis
N.	Beschrijving nl	Περιγραφή el	Açıklama tr	Kuvaus fi	Описание ru	Opis pl
1	Motor	Πλήρης κινητήρας	Motor	Moottori	Двигатель	Silnik
2	Lantaarnstuk	Μπρακέτο	Adaptör	Sovitin	Крестовина	Piasta
3	Pompvoet	Βάση	Kaide	Perusta	Основание	Podstawa
4	Pluggen	Σετ ταπών	Tapalar	Tulpat	Пробки	Zatyczki
5	Bovenste plaat	Ανώτερος δίσκος	Üst disk	Ylempi levy	Верхний держатель дисков	Tarcza górna
9	Waaier	στροφέιο	Pompa rotoru	Juoksupyörä	рабочее колесо	Wirnik
10	Mantel	Κέλυφος	Gömlük	Muhvi	Муфта	Plaszcz
11	As	Άξονας	Mil	Akseli	Вал	Wał
13	Dichtingssteenplaat	Δίσκος μηχανικού στυποθλιπτή	Sızdırmazlık elemanı disk	Tiivsteen kannatuslevy	Пластина держателя прокладки	Tarcza uszczelki
14	Pomphuis	Σώμα αντλίας	Pompa gövdesi	Pumpun runko	Корпус насоса	Korpus pompy
15	Diffusor	Πτερύγιο εκτροπής	Difüzör	Diffusori	Диффузор	Dyfuzor
16	Diffusor laatste trap	Τελευταίο πτερύγιο εκτροπής	Son difüzör	Loppuvaiheen diffusori	Конечный диффузор	Dyfuzor końcowy
17	Kast eerste trap	Πρώτο πτερύγιο εκτροπής	İlk kademe kutusu	Ensivaiheen laatikko	Коробка начальной стадии	Skrzynka początkowego stadium
20	Set mech. asafdichting + O-ring	Μηχανικός στυποθλιπτής και ροδέλες στεγανοποίησης	Mekanik salmastra kiti + O-Ring	Mek. tiiviste + O-rengassarja	Комплект мех. прокладки + OR	Zestaw uszcz. mech. + OR
21	Set O-ringafdichtingen	Σετ ροδέλες στεγανοποίησης	O-Ring kiti	O-rengassarja	Комплект кольцевых прокладок OR	Zestaw uszczeliek OR
23	Hijz steun	Άρση αγκύλη	Dirsek Kaldırma	Nosto ylätuki	Подъемные кронштейн	Podnoszenia wspornik
24	Motorflens	Μπρακέτο κινητήρα	Motor flanş	Moottorin laippa	Фланец двигателя	Kolnierz silnika
25	Set ovale flenzen	Σετ Οβάλ φλάντζα	Oval flanş kiti	Soikeiden vastalajpojen sarja	Комплект Овальный фланец	Zestaw Kolnierz owalnych
26	Set koppelingshefften	Σετ σταθερού συνδέσμου	Çift yanım manşon kiti	Liitisarja	Комплект пары полумуфт	Zestaw pary półzłączy
27	Set koppelingsbescherming	Καλύμματα προστασίας σταθερού συνδέσμου	Manşon koruma kiti	Liitoksen suojuussarja	Комплект защиты муфт	Zestaw ochrony złączy
30	Set afdichtingsbus	Σετ κουζινέτου μηχανικού στυποθλιπτή	Sızdırmazlık elemanı burcu kiti	Holkki ja tiiviste	Комплект втулки уплотнения	Zestaw busoli uszczel.
31	Set trekstangen	Σετ ράβδων σύνδεσης	Gergi çubuğu kiti	Vetotankosarja	Комплект тяг	Zestaw napinaczy
34	Set slijtonderdelen	Σετ δακτυλίων τριβής	Aşınma parçaları kiti	Kulumisiosien sarja	Комплект изнашиваемых частей	Zestaw części podl. zużyciu

## 1SV N 2 Pole

Production date > Sept 2010

ELP 2 P		1SV02N003	1SV03N003	1SV04N003	1SV05N003	1SV06N003	1SV07N003	1SV08N005	1SV09N005	1SV10N005	1SV11N005
N Version	M ~>	1016L1834	1016L1844	1016L1854	1016L1864	1016L1874	1016L1884	1016L1894	1016L1904	1016L1914	1016L1924
	T ~>	1016L0014	1016L0024	1016L0034	1016L0044	1016L0054	1016L0064	1016L0074	1016L0084	1016L0094	1016L0104
M ~>	M ~>	1016L1934	1016L1944	1016L1964	1016L1984	1016L2004	1016L2034	1016L2064	1016L2084	1016L2114	1016L2134
	T ~>	1016L0114	1016L0124	1016L0144	1016L0164	1016L0184	1016L0214	1016L0244	1016L0264	1016L0294	1016L0314
M ~>	M ~>	1016L2154	1016L2184								
	T ~>	1016L0334	1016L0364								

### Single Unit and Kit

10	Sleeve A316 PN25	166443042	166443042	166443062	166443072	166443082	166443102	166443122	166443142	166443152	166443162
		166443182	166443202	166443232	166443262	166443302	166443342	166443392	166443422	166443472	166443502
11	Shaft A316 PN25	165050042	165050042	165050062	165050072	165050082	165050102	165050122	165050142	165050152	165050162
		165050182	165050202	165050232	165050262	165050302	165050342	165050392	165050422	165050482	165050522
		165050552	165050602								
31	Tie rods SVN kit	KL22ANY	KL22ANY	KL22ANZ	KL22AN0	KL22AN1	KL22AN2	KL22ACP	KL22AN4	KL22AN5	KL22AN6
		KL22AN7	KL22ACT	KL22APA	KL22APC	KL22APD	KL22APF	KL22APH	KL22APW	KL22APM	KL22APP
		KL22APR	KL22APS								

### Motor, Coupling, Motor adaptor

Motor power kW >	0,37	0,37	0,37	0,37	0,37	0,37	0,55	0,55	0,55	0,55
		0,75	0,75	0,75	1,1	1,1	1,1	1,5	1,5	1,5
	2,2	2,2								

**1	kW >	0,37	0,55	0,75	1,1	1,5	2,2
Motor 2P, 1 ~>		107230020	107230040	107230100	107230120	107230180	50004HD00
	Motor 2P, 3 ~>	107230060	107230080	107230150	107230500	50000RD00	50001RD00
2	Adaptor	161470700	161470700	161470720	161470720	161470740	161470740
23	Lifting bracket	-	-	-	-	-	-
26	Coupling	KL10ABC	KL10ABC	KL10ABD	KL10ABD	KL10ABE	KL10ABE
27	Coupling guard	KL33AAM	KL33AAM	KL33AAN	KL33AAN	KL33AAP	KL33AAP

### Wear Parts kit

up to model (->)	-> 1SV10	-> 1SV20	-> 1SV27	-> 1SV35	-> 1SV38	
*34	Wear parts	KL35AEX	KL35AEY	KL35AEZ	KL35AE0	KL35AE1

### Mechanical seal Kit : Mech seal D12 + sleeve OR

*20A	Materials ->	Q1BEGG	KL01AAD	Std -> Seal Q1BEGG - OR EPDM sleeve / Unbalanced		
		Q1Q1EGG	KL01AC7			
		Q1BVGG	KL01AAG			
		Q1Q1VGG	KL01AC9			
		Q1CTGG	KL01ADB			
		Q1Q1TGG	KL01ADD			

### Common, Single Unit and kit

3	Base	161431310	-> 1-3-5 SV N-V-K
4	Plugs	EPDM	KL34AAK
		FPM	KL34AAL
		FEP	KL34AAM
5	Upper holder	-	
*9	Impeller 1SV A316	150703602	
13	Seal housing disc	150102922	
14	Pump body	151302322	-> 1-3SVN
15	Diffuser	152803112	
16	Last stage diffuser	152803012	
17	First stage box	152802912	
*21	OR	EPDM	KL02AA1
		FPM	KL02AA2
		FEP	KL02AA3
24	Motor flange	-	
25	Kit oval flange OR EPDM	-	
	Kit oval flange OR FPM	-	
30	Impellers retainer	KL41AAZ	

\* Recommended spare parts - Parti di ricambio consigliate

\* Pièces détachées conseillées - Empfohlene Ersatzteile

\*\* Motor spare parts: see motor lists - Parti di ricambio motore: vedi liste motore

\*\* Pièces détachées Moteur : voir listes moteur - Motor-Ersatzteile: gem. Motorlisten

1-22SVN\_5\_Sept10\_EdF

## 1SV N 4 Pole

ELP 4 P, 3 ~		1SV02F0024	1SV05F0024	1SV08F0024	1SV11F0024	1SV15F0024	1SV19F0024	1SV22F0024	1SV27F0024	1SV30F0024	1SV34F0024
N Version	T ~ >	1016L2894	1016L2924	1016L2954	1016L2984	1016L3024	1016L3064	1016L3094	1016L3144	1016L3174	1016L3214
	T ~ >	1016L3244									

### Single Unit and Kit

10	Sleeve A316	166443042	166443072	166443122	166443162	166443232	166443302	166443342	166443422	166443472	166443542
		166443582									
11	Shaft A316	165050042	165050072	165050122	165050162	165050232	165050302	165050342	165050422	165050482	165050552
		165050602									
31	Tie rods SVN kit	KL22ANY	KL22AN0	KL22ACP	KL22AN6	KL22APA	KL22APD	KL22APF	KL22APK	KL22APM	KL22APR
		KL22APS									

### Motor, Coupling, Motor Adaptor

Motor power kW >	0,25	0,25	0,25	0,25	0,25	0,25	0,25	0,25	0,25	0,25
	0,25									

**1	kW >	0.25 kW
	Motor 4P, 3 ~ >	107230640
2	Adaptor	161470700
23	Lifting bracket	-
26	Coupling	KL10ABC
27	Coupling guard	KL33AAM

### Wear Parts kit

up to model (- >)	- > 1SV10	- > 1SV20	- > 1SV27	- > 1SV35	- > 1SV38	
	1 bearing	2 bearing	3 bearing	4 bearing	5 bearing	
*34	Wear parts	KL35AEX	KL35AEY	KL35AEZ	KL35AE0	KL35AE1

### Mechanical seal Kit : Mech seal D12 + sleeve OR

*20A	Materials ->	Q1BEGG	KL01AAD	Std -> Seal Q1BEGG - OR EPDM
		Q1Q1EGG	KL01AC7	
		Q1BVGG	KL01AAG	
		Q1Q1VGG	KL01AC9	
		Q1CTGG	KL01ADB	
		Q1Q1TGG	KL01ADD	

### Common, Single Unit and kit

3	Base	161431310	-> 1-3-5SV N-V-K
4	Plugs	EPDM	KL34AAK
		FPM	KL34AAL
		FEP	KL34AAM
5	Upper holder	-	
*9	Impeller 1SV A316	150703602	
13	Seal housing disc	150102922	
14	Pump body	151302322	-> 1-3SVN
15	Diffuser	152803112	
16	Last stage diffuser	152803012	
17	First stage box	152802912	
*21	OR	EPDM	KL02AA1
		FPM	KL02AA2
		FEP	KL02AA3
24	Motor flange	-	
30	Impellers retainer	KL41AAZ	

### Parts 1-3SV with less impellers

-> both SV el.pumps 2 - 4 Pole

	Spacer in place of impeller	162503832
	Diffuser box empty	162801612
	Last stage diffuser box empty	162801722

\* Recommended spare parts - Parti di ricambio consigliate

\* Pièces détachées conseillées - Empfohlene Ersatzteile

\*\* Motor spare parts: see motor lists - Parti di ricambio motore: vedi liste motore

\*\* Pièces détachées Moteur : voir listes moteur - Motor-Ersatzteile: gem. Motorlisten

## 3SV N 2 Pole

Production date > Sept 2010

ELP 2 P		3SV02N003	3SV03N003	3SV04N003	3SV05N005	3SV06N005	3SV07N007	3SV08N007	3SV09N011	3SV10N011	3SV11N011
N Version	M ~>	1016L2234	1016L2244	1016L2254	1016L2264	1016L2274	1016L2284	1016L2294	1016L2304	1016L2314	1016L2324
	T ~>	1016L0424	1016L0434	1016L0444	1016L0454	1016L0464	1016L0474	1016L0484	1016L0494	1016L0504	1016L0514
M ~>	M ~>	3SV12N011	3SV13N015	3SV14N015	3SV16N015	3SV19N022	3SV21N022	3SV23N022	3SV25N022	3SV27N030	3SV29N030
	T ~>	1016L2334	1016L2344	1016L2354	1016L2374	1016L2404	1016L2424	1016L2444	1016L2464		
M ~>	T ~>	1016L0524	1016L0534	1016L0544	1016L0564	1016L0594	1016L0614	1016L0634	1016L0654	1016L0674	1016L0694
		3SV31N030	3SV33N030								
M ~>											
T ~>		1016L0714	1016L0734								

### Single Unit and Kit

10	Sleeve A316 PN 25	166443042	166443042	166443062	166443072	166443082	166443102	166443122	166443142	166443152	166443162
		166443182	166443202	166443222	166443242	166443302	166443322	166443362	166443392	166443422	166443462
11	Shaft A316 PN 25	165050042	165050042	165050062	165050072	165050082	165050102	165050122	165050142	165050152	165050162
		165050182	165050202	165050222	165050242	165050302	165050322	165050362	165050392	165050422	165050472
		165050502	165050542								
31	Tie rods SVN kit PN 25	KL22ANY	KL22ANY	KL22ANZ	KL22AN0	KL22AN1	KL22AN2	KL22ACP	KL22AN4	KL22AN5	KL22AN6
		KL22AN7	KL22ACT	KL22AN9	KL22APB	KL22APD	KL22APE	KL22APG	KL22APH	KL22APK	KL22APL
		KL22APN	KL22APQ								

### Motor, Coupling, Motor adaptor

Motor power kW >	0,37	0,37	0,37	0,55	0,55	0,75	0,75	1,1	1,1	1,1
	1,1	1,5	1,5	1,5	2,2	2,2	2,2	2,2	3,0	3,0
	3,0	3,0								

**1	kW >	0,37	0,55	0,75	1,1	1,5	2,2	3,0
	Motor 2P, 1 ~>	107230020	107230040	107230100	107230120	107230180	50004HD00	
	Motor 2P, 3 ~>	107230060	107230080	107230150	107230500	50000RD00	50001RD00	50002RF00
2	Adaptor	161470700	161470700	161470720	161470720	161470740	161470740	161470760
23	Lifting bracket	-	-	-	-	-	-	-
26	Coupling	KL10ABC	KL10ABC	KL10ABD	KL10ABD	KL10ABE	KL10ABE	KL10ABF
27	Coupling guard	KL33AAM	KL33AAM	KL33AAN	KL33AAN	KL33AAP	KL33AAP	KL33AAQ

### Wear Parts kit

up to model (->)	-> 3SV10	-> 3SV20	-> 3SV27	-> 3SV35	
*34	Wear parts	KL35AEX	KL35AEY	KL35AEZ	KL35AE0

### Mechanical seal Kit : Mech seal D12 + sleeve OR

*20A	Materials ->	Q1BEGG	KL01AAD	Std -> Seal Q1BEGG - OR EPDM Sleeve / Unbalanced
		Q1Q1EGG	KL01AC7	
		Q1BVGG	KL01AAG	
		Q1Q1VGG	KL01AC9	
		Q1CTGG	KL01ADB	
		Q1Q1TGG	KL01ADD	

### Common, Single Unit and kit

3	Base	161431310	-> 1-3-5 SV N-V-K
4	Plugs	EPDM	KL34AAK
		FPM	KL34AAL
		FEP	KL34AAM
5	Upper holder	-	
*9	Impeller 3SV A316	150703612	
13	Seal housing disc	150102922	
14	Pump body	151302322	-> 1-3SV N
15	Diffuser	152803112	
16	Last stage diffuser	152803012	
17	First stage box	152802912	
*21	OR	EPDM	KL02AA1
		FPM	KL02AA2
		FEP	KL02AA3
24	Motor flange	-	
25	Kit oval flange OR EPDM	-	
	Kit oval flange OR FPM	-	
30	Impellers retainer	KL41AAZ	

\* Recommended spare parts - Parti di ricambio consigliate

\* Pièces détachées conseillées - Empfohlene Ersatzteile

\*\* Motor spare parts: see motor lists - Parti di ricambio motore: vedi liste motore

\*\* Pièces détachées Moteur : voir listes moteur - Motor-Ersatzteile: gem. Motorlisten

1-22SVN\_5\_Sept10\_Edf

## 3SV N 4 Pole

ELP 4 P, 3 ~									
N Version	3SV02N0024	3SV05N0024	3SV08N0024	3SV11N0024	3SV14N0024	3SV19N0024	3SV23N0024	3SV27N0034	3SV33N0034
T ~ >	1016L3304	1016L3334	1016L3364	1016L3394	1016L3424	1016L3474	1016L3514	1016L3554	1016L3614

### Single Unit and Kit

10	Sleeve A316	166443042	166443072	166443122	166443162	166443222	166443302	166443362	166443422	166443522
11	Shaft A316	165050042	165050072	165050122	165050162	165050222	165050302	165050362	165050422	165050542
31	Tie rods SVN kit	KL22ANY	KL22AN0	KL22ACP	KL22AN6	KL22AN9	KL22APD	KL22APG	KL22APK	KL22APQ

### Motor, Coupling, Motor Adaptor

Motor power kW>	0,25	0,25	0,25	0,25	0,25	0,25	0,25	0,37	0,37
-----------------	------	------	------	------	------	------	------	------	------

**1	kW >	0,25 kW	0,37 kW
	Motor 4P , 3 ~ >	107230640	107230700
2	Adaptor	161470700	161470700
23	Lifting bracket	-	-
27	Coupling guard	KL33AAM	KL33AAM
26	Coupling	KL10ABC	KL10ABC

### Wear Parts kit

up to model (- >)	- > 3SV10	- > 3SV20	- > 3SV27	- > 3SV35	
*34	Wear parts	KL35AEX	KL35AEY	KL35AEZ	KL35AE0

### Mechanical seal Kit : Mech seal D12 + sleeve OR

*20A	Materials ->	Q1BEGG	KL01AAD	Std -> Seal Q1BEGG - OR EPDM
		Q1Q1EGG	KL01AC7	
		Q1BVGG	KL01AAG	
		Q1Q1VGG	KL01AC9	
		Q1CTGG	KL01ADB	
		Q1Q1TGG	KL01ADD	

### Common, Single Unit and kit

3	Base	161431310	-> 1-3-5SV N-V-K
4	Plugs	EPDM	KL34AAK
		FPM	KL34AAL
		FEP	KL34AAM
5	Upper holder	-	
*9	Impeller SVF 3SV A316	150703612	
13	Seal housing disc	150102922	
14	Pump body	151302322	-> 1-3SV N
15	Diffuser	152803112	
16	Last stage diffuser	152803012	
17	First stage box	152802912	
*21	OR	EPDM	KL02AA1
		FPM	KL02AA2
		FEP	KL02AA3
24	Motor flange	-	
30	Impellers retainer	KL41AAZ	

### Parts 1-3SV with less impellers

-> both SV el.pumps 2 - 4 Pole

	Spacer in place of impeller	162503832
	Diffuser box empty	162801612
	Last stage diffuser box empty	162801722

\* Recommended spare parts - Parti di ricambio consigliate

\* Pièces détachées conseillées - Empfohlene Ersatzteile

\*\* Motor spare parts: see motor lists - Parti di ricambio motore: vedi liste motore

\*\* Pièces détachées Moteur : voir listes moteur - Motor-Ersatzteile: gem. Motorlisten

## SSV N 2 Pole

Production date > Sept 2010

ELP 2 P		5SV02N003	5SV03N005	5SV04N005	5SV05N007	5SV06N011	5SV07N011	5SV08N011	5SV09N015	5SV10N015	5SV11N015
N Version	M ~ >	1016L2514	1016L2524	1016L2534	1016L2544	1016L2554	1016L2564	1016L2574	1016L2584	1016L2594	1016L2604
	T ~ >	1016L0794	1016L0804	1016L0814	1016L0824	1016L0834	1016L0844	1016L0854	1016L0864	1016L0874	1016L0884
M ~ >	M ~ >	1016L2614	1016L2624	1016L2634	1016L2644	1016L2654					
	T ~ >	1016L0894	1016L0904	1016L0914	1016L0924	1016L0934	1016L0954	1016L0984	1016L1004	1016L1024	1016L1054
M ~ >	M ~ >	1016L1074	1016L1104								
	T ~ >										

### Single Unit and Kit

10	Sleeve A316 PN25	166443032	166443052	166443072	166443092	166443112	166443132	166443152	166443172	166443192	166443212
		166443232	166443252	166443272	166443292	166443312	166443352	166443412	166443452	166443492	166443552
11	Shaft A316 PN25	165050032	165050052	165050072	165050092	165050112	165050132	165050152	165050172	165050192	165050212
		165050232	165050252	165050272	165050292	165050312	165050352	165050412	165050452	165050492	165050552
		165050592	165050652								
31	Tie rods SVN kit PN25	KL22AP0	KL22AP1	KL22AN0	KL22AP2	KL22AP3	KL22AP4	KL22AN5	KL22AP5	KL22AP6	KL22AP7
		KL22APA	KL22AP8	KL22AP9	KL22AQA	KL22AQB	KL22AQC	KL22AQD	KL22AQE	KL22AQF	KL22AQG
		KL22AQH	KL22AQK								

### Motor, Coupling, Motor adaptor

Motor power kW >	0,37	0,37	0,55	0,55	0,75	1,1	1,1	1,5	1,5	1,5
	2,2	2,2	2,2	2,2	2,2	3,0	3,0	4,0	4,0	4,0
	5,5	5,5								

**1	kW >	0,37	0,55	0,75	1,1	1,5	2,2	3,0	4,0	5,5
	Motor 2P, 1 ~ >	107230020	107230040	107230100	107230120	107230180	50004HD00			
	Motor 2P, 3 ~ >	107230060	107230080	107230150	107230500	50000RD00	50001RD00	50002RF00	50008VG00	50013VE00
2	Adaptor	161470700	161470720	161470720	161470720	161470740	161470740	161470760	161470760	161470760
23	Lifting bracket	-	-	-	-	-	-	-	-	161441050
26	Coupling	KL10ABC	KL10ABC	KL10ABD	KL10ABD	KL10ABE	KL10ABE	KL10ABF	KL10ABF	KL10ABY
27	Coupling guard	KL33AAM	KL33AAM	KL33AAN	KL33AAN	KL33AAP	KL33AAP	KL33AAQ	KL33AAQ	KL33AAQ

### Wear Parts kit

up to model (- >)	- > 5SV08	- > 5SV16	- > 5SV22	- > 5SV28	- > 5SV34	
*34	Wear parts	1 bearing KL35AE2	2 bearing KL35AE3	3 bearing KL35AE4	4 bearing KL35AE5	5 bearing KL35AE6

### Mechanical seal Kit : Mech seal D12 + sleeve OR

*20A	Materials - >	Q1BEGG	KL01AAD	Std -> Seal Q1BEGG - OR Sleeve EPDM / Unbalanced
		Q1Q1EGG	KL01AC7	
		Q1BVGG	KL01AAG	
		Q1Q1VGG	KL01AC9	
		Q1CTGG	KL01ADB	
		Q1Q1TGG	KL01ADD	

### Common, Single Unit and kit

3	Base	161431310	-> 1-3-5 SV N-V-K
4	Plugs	EPDM	KL34AAK
		FPM	KL34AAL
		FEP	KL34AAM
5	Upper holder	-	
*9	Impeller 5SV A316	150703622	
13	Seal housing disc	150102922	
14	Pump body	151302402	-> 5SV N
15	Diffuser	152803122	
16	Last stage diffuser	152803022	
17	First stage box	152802922	
*21	OR	EPDM	KL02AA1
		FPM	KL02AA2
		FEP	KL02AA3
24	Motor flange	161050700	1-3-5SV 5,5 kW
25	Kit oval flange OR EPDM	-	
	Kit oval flange OR FPM	-	
30	Impellers retainer	KL41AAZ	

\* Recommended spare parts - Parti di ricambio consigliate

\* Pièces détachées conseillées - Empfohlene Ersatzteile

\*\* Motor spare parts: see motor lists - Parti di ricambio motore: vedi liste motore

\*\* Pièces détachées Moteur : voir listes moteur - Motor-Ersatzteile: gem. Motorlisten

1-22SVN\_5\_Sept10\_Edf

## SSV N 4 Pole

Production date >Sept 2010

ELP 2 P										
N Version	5SV03N0024	5SV06N0024	5SV09N0024	5SV12N0024	5SV15N0034	5SV18N0034	5SV21N0034	5SV25N0054	5SV28N0054	5SV33N0074
T ~ >	1016L3684	1016L3714	1016L3744	1016L3774	1016L3804	1016L3834	1016L3864	1016L3904	1016L3934	1016L3984

### Single Unit and Kit

10	Sleeve A316	166443052	166443112	166443172	166443232	166443292	166443352	166443412	166443492	166443552	166443652
11	Shaft A316	165050052	165050112	165050172	165050232	165050292	165050352	165050412	165050492	165050552	165050652
31	Tie rods SVN kit	KL22AP1	KL22AP3	KL22AP5	KL22APA	KL22AQA	KL22AQC	KL22AQD	KL22AQF	KL22AQG	KL22AQK

### Motor, Coupling, Motor adaptor

Motor power	0,25	0,25	0,25	0,25	0,37	0,37	0,37	0,55	0,55	0,75
**1	kW >		0,25 kW	0,37 kW	0,55 kW	0,75 kW				
	Motor 4P, 3 ~ >		<b>107230640</b>	107230700	<b>107230760</b>	107230820				
2	Adaptor		161470700	161470700	161470700	161470720				
23	Lifting bracket		-	-	-	-				
26	Coupling		KL10ABC	KL10ABC	KL10ABC	KL10ABD				
27	Coupling guard		KL33AAM	KL33AAM	KL33AAM	KL33AAN				

### Wear Parts kit

up to model (- >)	- > 5SV08	- > 5SV16	- > 5SV22	- > 5SV28	- > 5SV34	
*34	Wear parts	KL35AE2	KL35AE3	KL35AE4	KL35AE5	KL35AE6

### Mechanical seal Kit : Mech seal D12 + sleeve OR

*20A	Materials ->	<b>Q1BEGG</b>	KL01AAD	Std -> Seal Q1BEGG - OR EPDM
		<b>Q1Q1EGG</b>	KL01AC7	
		<b>Q1BVGG</b>	KL01AAG	
		<b>Q1Q1VGG</b>	KL01AC9	
		<b>Q1CTGG</b>	KL01ADB	
		<b>Q1Q1TGG</b>	KL01ADD	

### Common, Single Unit and kit

3	Base		161431310	-> 1-3-5SV N
4	Plugs	EPDM	KL34AAK	
		FPM	KL34AAL	
		FEP	KL34AAM	
5	Upper holder		-	
*9	Impeller 5SV A316		150703622	
13	Seal housing disc		150102922	
14	Pump body		151302402	-> 5SVN
15	Diffuser		152803122	
16	Last stage diffuser		152803022	
17	First stage box		152802922	
*21	OR	EPDM	KL02AA1	
		FPM	KL02AA2	
		FEP	KL02AA3	
24	Motor flange		-	
30	Impellers retainer		KL41AAZ	

### Parts 5SV with less impellers

-> both SV el.pumps 2 - 4 Pole

	Spacer in place of impeller	162503842
	Diffuser box empty	162801622
	Last stage diffuser box empty	162801722

\* Recommended spare parts - Parti di ricambio consigliate

\*\* Pièces détachées conseillées - Empfohlene Ersatzteile

\*\* Motor spare parts: see motor lists - Parti di ricambio motore: vedi liste motore

\*\* Pièces détachées Moteur : voir listes moteur - Motor-Ersatzteile: gem. Motorlisten

1-22SVN\_5\_Sept10\_EdF



## 10SV N 2 Pole

ELP 2P		10SV01N007	10SV02N007	10SV03N011	10SV04N015	10SV05N022	10SV06N022	10SV07N030	10SV08N030	10SV09N040	10SV10N040
N Version	M->	1016L2694	1016L2704	1016L2714	1016L2724	1016L2734	1016L2744				
	T->	1016L1154	1016L1164	1016L1174	1016L1184	1016L1194	1016L1204	1016L1214	1016L1224	1016L1234	1016L1244
		10SV11N040	10SV13N055	10SV15N055	10SV17N075	10SV18N075	10SV20N075	10SV21N110			
M->											
	T->	1016L1254	1016L1274	1016L1294	1016L1314	1016L1324	1016L1344	1016L1354			

### Single Unit and Kit

10	Sleeve A316 PN 25	166444022	166444022	166444032	166444042	166444062	166444072	166444082	166444102	166444112	166444122
		166444142	166444162	166444192	166444222	166444232	166444262	166444272			
11	Shaft A316	165051022	165051022	165051032	165051042	165051062	165051072	165051082	165051102	165051112	165051122
		165051142	165051162B	165051192B	165051222B	165051232B	165051262B	165051272B			
31	Tie rods SVN Kit	KL22AAQ	KL22AAQ	KL22AC4	KL22AQW	KL22AQY	KL22AQZ	KL22AQ0	KL22AQ2	KL22AC9	KL22AQ4
		KL22AA6	KL22AA8	KL22ARB	KL22ARE	KL22ARF	KL22ARK	KL22ARL			

### Motor, Coupling, Motor Adaptor

Motor power kW >	0,75	0,75	1,1	1,5	2,2	2,2	3,0	3,0	4,0	4,0
	4,0	5,5	5,5	7,5	7,5	7,5	11,0			

**1	kW ->	0,75	1,1	1,5	2,2	3,0	4,0	5,5	7,5	11,0
	Motor 2 P, 1 ->	107230100	107230120	107230180	50004HD00					
	Motor 2 P, 3 ->	107230150	107230500	50000RD00	50001RD00	50002RF00	50008VG00	50013VE00	50017VB00	50019VE00
2	Adaptor	161470800	161470800	161470820	161470820	161470840	161470840	161470860	161470860	161470880
23	Lifting bracket	-	-	-	-	-	-	161441050	161441050	161441060
26	Coupling	KL10ABG	KL10ABG	KL10ABH	KL10ABH	KL10ABK	KL10ABK	KL10ABZ	KL10ABZ	KL10AB0
27	Coupling guard	KL33AAR	KL33AAR	KL33AAS	KL33AAS	KL33AAT	KL33AAT	KL33AAU	KL33AAU	KL33AAU

### Wear Parts Kit

up to model (->)	->10SV09	->10SV16	->10SV21	
*34	Wear parts	KL35AE7	KL35AE8	KL35AE9

### Mechanical seal Kit : Mech seal D16 + OR

*20A	Materials->	Q1BEGG	KL01AAE	Std -> Seal Q1BEGG - sleeve OR EPDM / Unbalanced : 10-15-22SV < / = 4 kW
		Q1Q1EGG	KL01AC8	
		Q1BVGG	KL01AAH	
		Q1Q1VGG	KL01ADA	
		Q1CTGG	KL01ADC	
		Q1Q1TGG	KL01ADE	
*20	Materials->	Q1BEGG	KL01AD7	Std -> Seal Q1BEGG - upper holder OR EPDM / Balanced : 10-15-22SV = / > 5,5 kW
		Q1Q1EGG	KL01AD3	
		Q1BVGG	KL01AD2	
		Q1Q1VGG	KL01AD4	
		Q1CTGG	KL01AD9	
		Q1Q1TGG	KL01AEA	

### Common, Single Unit and Kit

3	Base	161431330	-> 10SV N - C
4	Plugs	EPDM	KL34AAK
		FPM	KL34AAL
		FEP	KL34AAM
5	Upper holder	-	Up to 4,0 kW included
		160103722	Over 5,5 kW
		160103742	Part with hole for tap
*9	Impeller10 SV A316	150703632	
13	Seal housing disc	150102942	Up to 4,0 kW included
		150102962	Over 5,5 kW
14	Pump body	151302452	-> 10SVN PN 40
15	Diffuser	152803132	
16	Last stage diffuser	152803032	
17	First stage box	152802932	
*21	OR	EPDM	KL02AA4
		FPM	KL02AA5
		FEP	KL02AA6
24	Motor flange	-	
25	Kit oval flange OR EPDM	-	
		-	
30	Impellers retainer	KL41AA0	Unbalanced : 10-15-22SV < / = 4 kW
30	Bush seal kit	KL41AA2	Balanced : 10-15-22SV = / > 5,5 kW

\* Recommended spare parts - Parti di ricambio consigliate

\* Pièces détachées conseillées - Emprohene Ersatzteile

\*\* Motor spare parts: see motor lists - Parti di ricambio motore: vedi liste motore

\*\* Pièces détachées Moteur : voir listes moteur - Motor-Ersatzteile: gem. Motorlisten

## 10SVN 4 Pole

ELP 4P, 3 ~									
Version N	10SV04N0054	10SV06N0054	10SV08N0054	10SV10N0054	10SV13N0074	10SV15N0074	10SV17N0114	10SV19N0114	10SV21N0114
T ~>	1016L4064	1016L4084	1016L4104	1016L4124	1016L4154	1016L4174	1016L4194	1016L4214	1016L4234

### Single Unit and Kit

10	Sleeve A316	166444042	166444072	166444102	166444122	166444162	166444192	166444222	166444242	166444272
11	Shaft A316	165051042	165051072	165051102	165051122	165051162	165051192	165051222	165051242	165051272
31	Tie rods SVN Kit	KL22AQW	KL22AQZ	KL22AQ2	KL22AQ4	KL22AQ8	KL22ARB	KL22ARE	KL22ARG	KL22ARL

### Motor, Coupling, Motor Adaptor

Mot.power, kW >	0,55	0,55	0,55	0,55	0,75	0,75	1,1	1,1	1,1
**1 kW >	0,55	0,75	1,1						
Motor 4P ->	107230760	107230820	50005RD00						
2 Adaptor	161470800	161470800	161470820						
23 Lifting bracket	-	-	-						
26 Coupling	KL10ABG	KL10ABG	KL10ABH						
27 Coupling guard	KL33AAR	KL33AAR	KL33AAS						

### Wear Parts Kit

	->10SV09	->10SV16	->10SV21
up to model (- >)	1 bearing	2 bearing	3 bearing
*34 Wear parts	KL35AE7	KL35AE8	KL35AE9

### Mechanical seal Kit : Mech seal D16 + OR

*20A	Materials->	Q1BEGG	KL01AAE	Std -> Seal Q1BEGG - sleeve OR EPDM / Unbalanced : 10-15-22SV < / = 4 kW
		Q1Q1EGG	KL01AC8	
		Q1BVGG	KL01AAH	
		Q1Q1VGG	KL01ADA	
		Q1CTGG	KL01ADC	
		Q1Q1TGG	KL01ADE	

### Common, Single Unit and Kit

3	Base	161431330	-> 10SV
4	Plugs	EPDM	KL34AAK
		FPM	KL34AAL
		FEP	KL34AAM
5	Upper holder	-	
*9	Impeller10 SV A316	150703632	
13	Seal housing disc	150102942	
14	Pump body	151302452	
15	Diffuser	152803132	
16	Last stage diffuser	152803032	
17	First stage box	152802932	
*21	OR	EPDM	KL02AA4
		FPM	KL02AA5
		FEP	KL02AA6
24	Motor flange	-	
30	Impellers retainer	KL41AA0	

### Parts 10SV with less impellers

-> both SV el.pumps 2 - 4 Pole

	Spacer in place of impeller	162503852
	Diffuser box empty	162801632
	Last stage diffuser box empty	162801752

\* Recommended spare parts - Parti di ricambio consigliate

\* Pièces détachées conseillées - Empfohlene Ersatzteile

\*\* Motor spare parts: see motor lists - Parti di ricambio motore: vedi liste motore

\*\* Pièces détachées Moteur : voir listes moteur - Motor-Ersatzteile: gem. Motorlisten

## 15SV N 2 Pole

ELP 2P										
N Version	15SV01N011	15SV02N022	15SV03N030	15SV04N040	15SV05N040	15SV06N055	15SV07N055	15SV08N075	15SV09N075	15SV10N110
M ->	1016L2784	1016L2794								
T ->	1016L1404	1016L1414	1016L1424	1016L1434	1016L1444	1016L1454	1016L1464	1016L1474	1016L1484	1016L1494
	15SV11N110	15SV13N110	15SV15N150	15SV17N150						
M ->										
T ->	1016L1504	1016L1524	1016L1544	1016L1564						

### Single Unit and Kit

10	Sleeve A316 PN 25	166444032 166444212	166444032 166444252	166444052 166444292	166444072 166444332	166444092	166444112	166444132	166444152	166444172	166444192
11	Shaft A316	165051032 165051212B	165051032 165051252B	165051052 165051292B	165051072 165051332B	165051092	16505112B	165051132B	165051152B	165051172B	165051192B
31	Tie rods SVN Kit	KL22AC4 KL22ARD	KL22AC4 KL22ARH	KL22AQX KL22ARM	KL22AQZ KL22ARP	KL22AQ1	KL22AC9	KL22AQ5	KL22AQ7	KL22AQ9	KL22ARB

### Motor, Coupling, Motor Adaptor

Motor power kW >	1,1	2,2	3,0	4,0	4,0	5,5	5,5	7,5	7,5	11,0
	11,0	11,0	15,0	15,0						

**1	kW ->	1,1	2,2	3,0	4,0	5,5	7,5	11,0	15,0
	Motor 2 P, 1 ->	107230120	50004HD00						
	Motor 2 P, 3 ->	107230500	50001RD00	50002RF00	50008VG00	50013VE00	50017VB00	50019VE00	50024VB00
2	Adaptor	161470800	161470820	161470840	161470840	161470860	161470860	161470880	161470880
23	Lifting bracket	-	-	-	-	161441050	161441050	161441060	161441060
26	Coupling	KL10ABG	KL10ABH	KL10ABK	KL10ABK	KL10ABZ	KL10ABZ	KL10AB0	KL10AB0
27	Coupling guard	KL33AAR	KL33AAS	KL33AAT	KL33AAT	KL33AAU	KL33AAU	KL33AAU	KL33AAU

### Wear Parts Kit

up to model (->)	->15SV06	->15SV11	->15SV17	
*34	Wear parts	KL35AFA	KL35AFB	KL35AFC

### Mechanical seal Kit : Mech seal D16 + OR

*20A	Materials->	Q1BEGG Q1Q1EGG Q1BVGG Q1Q1VGG Q1CTGG Q1Q1TGG	KL01AAE KL01AC8 KL01AAH KL01ADA KL01ADC KL01ADE	Std -> Seal Q1BEGG - sleeve OR EPDM / Unbalanced : 10-15-22SV < / = 4 kW
*20	Materials->	Q1BEGG Q1Q1EGG Q1BVGG Q1Q1VGG Q1CTGG Q1Q1TGG	KL01AD7 KL01AD3 KL01AD2 KL01AD4 KL01AD9 KL01AEA	Std -> Seal Q1BEGG - upper holder OR EPDM / Balanced : 10-15-22SV = / > 5,5 kW

### Common, Single Unit and Kit

3	Base		161431350	-> 15-22SV
4	Plugs	EPDM FPM FEP	KL34AAK KL34AAL KL34AAM	
5	Upper holder		- 160103722 160103742	Up to 4,0 kW included Over 5,5 kW Part with hole for tap
*9	Impeller 15SV A316		150703642	
13	Seal housing disc		150102942 150102962	Up to 4,0 kW included Over 5,5 kW
14	Pump body		151302602	-> 15SVN DN40
15	Diffuser		152803152	
16	Last stage diffuser		152803052	
17	First stage box		152802952	
*21	OR	EPDM FPM FEP	KL02AA4 KL02AA5 KL02AA6	
24	Motor flange		-	
25	Kit oval flange OR EPDM Kit oval flange OR FPM		- -	
30	Impellers retainer		KL41AA0	Unbalanced : 10-15-22SV < / = 4 kW
30	Bush seal kit		KL41AA2	Balanced : 10-15-22SV = / > 5,5 kW

\* Recommended spare parts - Parti di ricambio consigliate

\* Pièces détachées conseillées - Empfohlene Ersatzteile

\*\* Motor spare parts: see motor lists - Parti di ricambio motore: vedi liste motore

\*\* Pièces détachées Moteur : voir listes moteur - Motor-Ersatzteile: gem. Motorlisten

## 15SVN 4 Pole

ELP 4P, 3 ~							
N Version	15SV05N0054	15SV07N0074	15SV09N0114	15SV11N0114	15SV13N0154	15SV15N0154	15SV17N0224
T ~>	1016L4324	1016L4344	1016L4364	1016L4384	1016L4404	1016L4424	1016L4444

### Single Unit and Kit

10	Sleeve A316	166444032	166444032	166444052	166444072	166444092	166444112	166444132
11	Shaft A316	165051032	165051032	165051052	165051072	165051092	165051112B	165051132B
31	Tie rods SVN Kit	KL22AQ1	KL22AQ5	KL22AQ9	KL22ARD	KL22ARH	KL22ARM	KL22ARP

### Motor, Coupling, Motor Adaptor

Mot.power, kW >	0,55	0,75	0,95	1,1	1,5	1,5	2,2
-----------------	------	------	------	-----	-----	-----	-----

**1	kw >	0,55	0,75	1,1	1,5	2,2
	Motor 4P ->	107230760	107230820	50005RD00	50006RD00	50010RD00
2	Adaptor	161470800	161470800	161470820	161470820	161470840
23	Lifting bracket	-	-	-	-	-
26	Coupling	KL10ABG	KL10ABG	KL10ABH	KL10ABH	KL10ABK
27	Coupling guard	KL33AAR	KL33AAR	KL33AAS	KL33AAS	KL33AAT

### Wear Parts Kit

up to model (->)	->15SV06	->15SV11	->15SV17
	1 bearing	2 bearing	3 bearing
*34   Wear parts	KL35AFA	KL35AFB	KL35AFC

### Mechanical seal Kit : Mech seal D16 + OR

*20A	Materials->	Q1BEGG	KL01AAE	Std -> Seal Q1BEGG - sleeve OR EPDM / Unbalanced : 10-15-22SV < / = 4 kW
		Q1Q1EGG	KL01AC8	
		Q1BVGG	KL01AAH	
		Q1Q1VGG	KL01ADA	
		Q1CTGG	KL01ADC	
		Q1Q1TGG	KL01ADE	

### Common, Single Unit and Kit

3	Base		161431350	-> 15-22SV
4	Plugs	EPDM	KL34AAK	
		FPM	KL34AAL	
		FEP	KL34AAM	
5	Upper holder		-	
*9	Impeller 15SV A316		150703642	
13	Seal housing disc		150102942	
14	Pump body		151302602	-> 15-22SVN
15	Diffuser		152803152	
16	Last stage diffuser		152803052	
17	First stage box		152802950	
*21	OR	EPDM	KL02AA4	
		FPM	KL02AA5	
		FEP	KL02AA6	
24	Motor flange		-	
30	Impellers retainer		KL41AA0	

### Parts 15-22SV with less impellers

-> both SV el.pumps 2 - 4 Pole

	Spacer in place of impeller	162503872
	Diffuser box empty	162801652
	Last stage diffuser box empty	162801752

\* Recommended spare parts - Parti di ricambio consigliate

\* Pièces détachées conseillées - Empfohlene Ersatzteile

\*\* Motor spare parts: see motor lists - Parti di ricambio motore: vedi liste motore

\*\* Pièces détachées Moteur : voir listes moteur - Motor-Ersatzteile: gem. Motorlisten

1-22SVN\_5\_Sept10\_EdF

## 22SV N 2 Pole

ELP 2P		22SV01N011	22SV02N022	22SV03N030	22SV04N040	22SV05N055	22SV06N075	22SV07N075	22SV08N110	22SV09N110	22SV10N110
N Version	M ~>	1016L2834	1016L2844								
	T ~>	1016L1614	1016L1624	1016L1634	1016L1644	1016L1654	1016L1664	1016L1674	1016L1684	1016L1694	1016L1704
		22SV12N150	22SV14N150	22SV17N185							
	M ~>										
	T ~>	1016L1724	1016L1744	1016L1774							

### Single Unit and Kit

10	Sleeve A316 PN 25	166444032 166444232	166444032 166444272	166444052 166444332	166444072	166444092	166444112	166444132	166444152	166444172	166444192
11	Shaft A316	165051032 165051232B	165051032 165051272B	165051052 165051332B	165051072	165051092B	165051112B	165051132B	165051152B	165051172B	165051192B
31	Tie rods SVN Kit	KL22AC4 KL22ARF	KL22AC4 KL22ARL	KL22AQX KL22ARP	KL22AQZ	KL22AQ1	KL22AC9	KL22AQ5	KL22AQ7	KL22AQ9	KL22ARB

### Motor, Coupling, Motor Adaptor

Motor power kW >	1,1	2,2	3,0	4,0	5,5	7,5	7,5	11,0	11,0	11,0
**1 kW ->	1,1	2,2	3,0	4,0	5,5	7,5	7,5	11,0	15,0	18,5
Motor 2 P, 1- >	107230120	50004HD00								
Motor 2 P, 3 ->	107230500	50001RD00	50002RF00	50008VG00	50013VE00	50017VB00	50019VE00	50024VB00	50025VB00	
2 Adaptor	161470800	161470820	161470840	161470840	161470860	161470860	161470880	161470880	161470880	
23 Lifting bracket	-	-	-	-	161441050	161441050	161441060	161441060	161441060	
26 Coupling	KL10ABG	KL10ABH	KL10ABK	KL10ABK	KL10ABZ	KL10ABZ	KL10ABO	KL10ABO	KL10ABO	
27 Coupling guard	KL33AAR	KL33AAS	KL33AAT	KL33AAT	KL33AAU	KL33AAU	KL33AAU	KL33AAU	KL33AAU	

### Wear Parts Kit

up to model (- >)	->22SV06	->22SV11	->22SV17
*34 Wear parts	1 bearing KL35AFA	2 bearing KL35AFB	3 bearing KL35AFC

### Mechanical seal Kit : Mech seal D16 + OR

*20A	Materials->	Q1BEGG Q1Q1EGG Q1BVGG Q1Q1VGG Q1CTGG Q1Q1TGG	KL01AAE KL01AC8 KL01AAH KL01ADA KL01ADC KL01ADE	Std -> Seal Q1BEGG - sleeve OR EPDM / Unbalanced : 10-15-22SV < / = 4 kW
*20	Materials->	Q1BEGG Q1Q1EGG Q1BVGG Q1Q1VGG Q1CTGG Q1Q1TGG	KL01AD7 KL01AD3 KL01AD2 KL01AD4 KL01AD9 KL01AEA	Std -> Seal Q1BEGG - upper holder OR EPDM / Balanced : 10-15-22SV = / > 5,5 kW

### Common, Single Unit and Kit

3	Base	161431350	-> 15-22SV
4	Plugs	EPDM FPM FEP	KL34AAK KL34AAL KL34AAM
5	Upper holder	- 160103722 160103742	Up to 4,0 kW included Over 5,5 kW Part with hole for tap
*9	Impeller 22SV A316	150703652	
13	Seal housing disc	150102942 150102962	Up to 4,0 kW included Over 5,5 kW
14	Pump body	151302602	-> 22SVN DN40
15	Diffuser	152803152	
16	Last stage diffuser	152803052	
17	First stage box	152802952	
*21	OR	EPDM FPM FEP	KL02AA4 KL02AA5 KL02AA6
24	Motor flange	-	
25	Kit oval flange OR EPDM Kit oval flange OR FPM	- -	
30	Impellers retainer	KL41AA0	Unbalanced : 10-15-22SV < / = 4 kW
30	Bush seal kit	KL41AA2	Balanced : 10-15-22SV = / > 5,5 kW

\* Recommended spare parts - Parti di ricambio consigliate

\* Pièces détachées conseillées - Empfohlene Ersatzteile

\*\* Motor spare parts: see motor lists - Parti di ricambio motore: vedi liste motore

\*\* Pièces détachées Moteur : voir listes moteur - Motor-Ersatzteile: gem. Motorlisten

## 22SVN 4 Pole

ELP 4P, 3 ~							
N Version	22SV04N0054	22SV06N0114	22SV08N0114	22SV10N0154	22SV12N0224	22SV14N0224	22SV17N0304
T ~>	1016L4524	1016L4544	1016L4564	1016L4584	1016L4604	1016L4624	1016L4654

### Single Unit and Kit

10	Sleeve A316	166444072	166444112	166444152	166444192	166444232	166444272	166444332
11	Shaft A304	165051072	165051112	165051152	165051192	165051232	165051272	165051332
31	Tie rods SVN Kit	KL22AQZ	KL22AC9	KL22AQ7	KL22ARB	KL22ARF	KL22ARL	KL22ARP

### Motor, Coupling, Motor Adaptor

Mot.power, kW >	0,55	1,1	1,5	1,5	2,2	2,2	3,0
-----------------	------	-----	-----	-----	-----	-----	-----

**1	kw >	0,55	1,1	1,5	2,2	3,0
	Motor 4P ->	107230760	50005RD00	50006RD00	50010RD00	50011RD00
2	Adaptor	161470800	161470820	161470820	161470840	161470840
23	Lifting bracket	-	-	-	-	-
26	Coupling	KL10ABG	KL10ABH	KL10ABH	KL10ABK	KL10ABK
27	Coupling guard	KL33AAR	KL33AAS	KL33AAS	KL33AAU	KL33AAU

### Wear Parts Kit

		->22SV06	->22SV11	->22SV17
up to model (->)		1 bearing	2 bearing	3 bearing
*34	Wear parts	KL35AFA	KL35AFB	KL35AFC

### Mechanical seal Kit : Mech seal D16 + OR

*20A	Materials->	Q1BEGG	KL01AAE	Std -> Seal Q1BEGG - sleeve OR EPDM / Unbalanced : 10-15-22SV </ = 4 kW
		Q1Q1EGG	KL01AC8	
		Q1BVGG	KL01AAH	
		Q1Q1VGG	KL01ADA	
		Q1CTGG	KL01ADC	
		Q1Q1TGG	KL01ADE	

### Common, Single Unit and Kit

3	Base	161431350	-> 15-22SV
4	Plugs	EPDM	KL34AAK
		FPM	KL34AAL
		FEP	KL34AAM
5	Upper holder	-	
*9	Impeller 22SV A316	150703652	
13	Seal housing disc	150102942	
14	Pump body	151302602	-> 15-22SVN
15	Diffuser	152803152	
16	Last stage diffuser	152803052	
17	First stage box	152802952	
*21	OR	EPDM	KL02AA4
		FPM	KL02AA5
		FEP	KL02AA6
24	Motor flange	-	
30	Impellers retainer	KL41AA0	

### Parts 15-22SV with less impellers

-> both SV el.pumps 2 - 4 Pole

	Spacer in place of impeller	162503872
	Diffuser box empty	162801652
	Last stage diffuser box empty	162801752

\* Recommended spare parts - Parti di ricambio consigliate

\* Pièces détachées conseillées - Emptohlene Ersatzteile

\*\* Motor spare parts: see motor lists - Parti di ricambio motore: vedi liste motore

\*\* Pièces détachées Moteur : voir listes moteur - Motor-Ersatzteile: gem. Motorlisten

Specific components related to 1SV N-V-C-K 2 Pole

ELP 2 P		1SV02N003	1SV03N003	1SV04N003	1SV05N003	1SV06N003	1SV07N003	1SV08N005	1SV09N005	1SV10N005	1SV11N005	
N Version	M ~ >	1016L1834	1016L1844	1016L1854	1016L1864	1016L1874	1016L1884	1016L1894	1016L1904	1016L1914	1016L1924	
	T ~ >	1016L0014	1016L0024	1016L0034	1016L0044	1016L0054	1016L0064	1016L0074	1016L0084	1016L0094	1016L0104	
	M ~ >		1SV12N007	1SV13N007	1SV15N007	1SV17N011	1SV19N011	1SV22N011	1SV25N015	1SV27N015	1SV30N015	1SV32N022
		M ~ >	1016L1934	1016L1944	1016L1964	1016L1984	1016L2004	1016L2034	1016L2064	1016L2084	1016L2114	1016L2134
		T ~ >	1016L0114	1016L0124	1016L0144	1016L0164	1016L0184	1016L0214	1016L0244	1016L0264	1016L0294	1016L0314
			1SV34N022	1SV37N022								
	M ~ >	1016L2154	1016L2184									
	T ~ >	1016L0334	1016L0364									
	V Version	M ~ >	1SV02V003	1SV03V003	1SV04V003	1SV05V003	1SV06V003	1SV07V003	1SV08V005	1SV09V005	1SV10V005	1SV11V005
		M ~ >	1016L1835	1016L1845	1016L1855	1016L1865	1016L1875	1016L1885	1016L1895	1016L1905	1016L1915	1016L1925
		T ~ >	1016L0015	1016L0025	1016L0035	1016L0045	1016L0055	1016L0065	1016L0075	1016L0085	1016L0095	1016L0105
		M ~ >		1SV12V007	1SV13V007	1SV15V007	1SV17V011	1SV19V011	1SV22V011	1SV25V015	1SV27V015	1SV30V015
M ~ >			1016L1935	1016L1945	1016L1965	1016L1985	1016L2005	1016L2035	1016L2065	1016L2085	1016L2115	1016L2135
T ~ >			1016L0115	1016L0125	1016L0145	1016L0165	1016L0185	1016L0215	1016L0245	1016L0265	1016L0295	1016L0315
			1SV34V022	1SV37V022								
M ~ >		1016L2155	1016L2185									
T ~ >		1016L0335	1016L0365									
C Version		M ~ >	1SV02C003	1SV03C003	1SV04C003	1SV05C003	1SV06C003	1SV07C003	1SV08C005	1SV09C005	1SV10C005	1SV11C005
		M ~ >	1016L183B	1016L184B	1016L185B	1016L186B	1016L187B	1016L188B	1016L189B	1016L190B	1016L191B	1016L192B
		T ~ >	1016L001B	1016L002B	1016L003B	1016L004B	1016L005B	1016L006B	1016L007B	1016L008B	1016L009B	1016L010B
	M ~ >		1SV12C007	1SV13C007	1SV15C007	1SV17C011	1SV19C011	1SV22C011	1SV25C015	1SV27C015	1SV30C015	1SV32C022
		M ~ >	1016L193B	1016L194B	1016L196B	1016L198B	1016L200B	1016L203B	1016L206B	1016L208B	1016L211B	1016L213B
		T ~ >	1016L011B	1016L012B	1016L014B	1016L016B	1016L018B	1016L021B	1016L024B	1016L026B	1016L029B	1016L031B
			1SV34C022	1SV37C022								
	M ~ >	1016L215B	1016L218B									
	T ~ >	1016L033B	1016L036B									
	K Version	M ~ >	1SV02K003	1SV03K003	1SV04K003	1SV05K003	1SV06K003	1SV07K003	1SV08K005	1SV09K005	1SV10K005	1SV11K005
		M ~ >	1016L183C	1016L184C	1016L185C	1016L186C	1016L187C	1016L188C	1016L189C	1016L190C	1016L191C	1016L192C
		T ~ >	1016L001C	1016L002C	1016L003C	1016L004C	1016L005C	1016L006C	1016L007C	1016L008C	1016L009C	1016L010C
M ~ >			1SV12K007	1SV13K007	1SV15K007	1SV17K011	1SV19K011	1SV22K011	1SV25K015	1SV27K015	1SV30K015	1SV32K022
		M ~ >	1016L193C	1016L194C	1016L196C	1016L198C	1016L200C	1016L203C	1016L206C	1016L208C	1016L211C	1016L213C
		T ~ >	1016L011C	1016L012C	1016L014C	1016L016C	1016L018C	1016L021C	1016L024C	1016L026C	1016L029C	1016L031C
			1SV34K022	1SV37K022								
M ~ >		1016L215C	1016L218C									
T ~ >		1016L033C	1016L036C									

Common, Single Unit and kit

3	Base	161431310	-> 1-3-5 SV N-V-K
		161431300	-> 1-3-5SV C
14	Pump body	151302322	-> 1-3SVN
		151302352	-> 1-3-5SV C
		151302362	-> 1-3-5SV V-P
		151302362	-> 1-3-5SV K

Service kit

-	Pump stack 1SVN EPDM	102882014	102882024	102882034	102882044	102882054	102882064	102882074	102882084	102882094	102882104
		102882114	102882124	102882144	102882164	102882184	102882214	102882244	102882264	102882294	102882314
		102882334	102882364								

1SV N 4 Pole

ELP 4 P, 3 ~		1SV02N004	1SV05N004	1SV08N004	1SV11N004	1SV15N004	1SV19N004	1SV22N004	1SV27N004	1SV30N004	1SV34N004
N Version	T ~ >	1016L2894	1016L2924	1016L2954	1016L2984	1016L3024	1016L3064	1016L3094	1016L3144	1016L3174	1016L3214
		1SV37N004									
T ~ >		1016L3244									

Service kit

-	Pump stack 1SVN EPDM	102882014	102882044	102882074	102882104	102882144	102882184	102882214	102882264	102882294	102882334
		102882364									

For common components pls see spare part lists 1-22SV N 2 pole

\* Recommended spare parts - Parti di ricambio consigliate

\* Pièces détachées conseillées - Empfohlene Ersatzteile

\*\* Motor spare parts: see motor lists - Parti di ricambio motore: vedi liste motore

\*\* Pièces détachées Moteur : voir listes moteur - Motor-Ersatzteile: gem. Motorlisten

Specific components related to **3SV N-V-C-K 2 Pole**

ELP 2 P											
N Version	M ~ >	3SV02N003	3SV03N003	3SV04N003	3SV05N005	3SV06N005	3SV07N007	3SV08N007	3SV09N011	3SV10N011	3SV11N011
	T ~ >	1016L2234	1016L2244	1016L2254	1016L2264	1016L2274	1016L2284	1016L2294	1016L2304	1016L2314	1016L2324
		1016L0424	1016L0434	1016L0444	1016L0454	1016L0464	1016L0474	1016L0484	1016L0494	1016L0504	1016L0514
		3SV12N011	3SV13N015	3SV14N015	3SV16N015	3SV19N022	3SV21N022	3SV23N022	3SV25N022	3SV27N030	3SV29N030
	M ~ >	1016L2334	1016L2344	1016L2354	1016L2374	1016L2404	1016L2424	1016L2444	1016L2464		
	T ~ >	1016L0524	1016L0534	1016L0544	1016L0564	1016L0594	1016L0614	1016L0634	1016L0654	1016L0674	1016L0694
		3SV31N030	3SV33N030								
	M ~ >										
	T ~ >	1016L0714	1016L0734								
	V Version	M ~ >	3SV02V003	3SV03V003	3SV04V003	3SV05V005	3SV06V005	3SV07V007	3SV08V007	3SV09V011	3SV10V011
T ~ >		1016L2235	1016L2245	1016L2255	1016L2265	1016L2275	1016L2285	1016L2295	1016L2305	1016L2315	1016L2325
		1016L0425	1016L0435	1016L0445	1016L0455	1016L0465	1016L0475	1016L0485	1016L0495	1016L0505	1016L0515
		3SV12V011	3SV13V015	3SV14V015	3SV16V015	3SV19V022	3SV21V022	3SV23V022	3SV25V022	3SV27V030	3SV29V030
M ~ >		1016L2335	1016L2345	1016L2355	1016L2375	1016L2405	1016L2425	1016L2445	1016L2465		
T ~ >		1016L0525	1016L0535	1016L0545	1016L0565	1016L0595	1016L0615	1016L0635	1016L0655	1016L0675	1016L0695
		3SV31V030	3SV33V030								
M ~ >											
T ~ >		1016L0715	1016L0735								
C Version		M ~ >	3SV02C003	3SV03C003	3SV04C003	3SV05C005	3SV06C005	3SV07C007	3SV08C007	3SV09C011	3SV10C011
	T ~ >	1016L223B	1016L224B	1016L225B	1016L226B	1016L227B	1016L228B	1016L229B	1016L230B	1016L231B	1016L232B
		1016L042B	1016L043B	1016L044B	1016L045B	1016L046B	1016L047B	1016L048B	1016L049B	1016L050B	1016L051B
		3SV12C011	3SV13C015	3SV14C015	3SV16C015	3SV19C022	3SV21C022	3SV23C022	3SV25C022	3SV27C030	3SV29C030
	M ~ >	1016L233B	1016L234B	1016L235B	1016L237B	1016L240B	1016L242B	1016L244B	1016L246B		
	T ~ >	1016L052B	1016L053B	1016L054B	1016L056B	1016L059B	1016L061B	1016L063B	1016L065B	1016L067B	1016L069B
		3SV31C030	3SV33C030								
	M ~ >										
	T ~ >	1016L071B	1016L073B								
	K Version	M ~ >	3SV02K003	3SV03K003	3SV04K003	3SV05K005	3SV06K005	3SV07K007	3SV08K007	3SV09K011	3SV10K011
T ~ >		1016L223C	1016L224C	1016L225C	1016L226C	1016L227C	1016L228C	1016L229C	1016L230C	1016L231C	1016L232C
		1016L042C	1016L043C	1016L044C	1016L045C	1016L046C	1016L047C	1016L048C	1016L049C	1016L050C	1016L051C
		3SV12K011	3SV13K015	3SV14K015	3SV16K015	3SV19K022	3SV21K022	3SV23K022	3SV25K022	3SV27K030	3SV29K030
M ~ >		1016L233C	1016L234C	1016L235C	1016L237C	1016L240C	1016L242C	1016L244C	1016L246C		
T ~ >		1016L052C	1016L053C	1016L054C	1016L056C	1016L059C	1016L061C	1016L063C	1016L065C	1016L067C	1016L069C
		3SV31K030	3SV33K030								
M ~ >											
T ~ >		1016L071C	1016L073C								

Common, Single Unit and kit

3	Base	161431310	-> 1-3-5 SV N-V-K
		161431300	-> 1-3-5 SV C
14	Pump body	151302322	-> 1-3SV N
		151302352	-> 1-3SVC
		151302362	-> 1-3SV V-P
		151302362	-> 1-3SV K

Service Kit

-	Pump stack 3SVN EPDM	102882414	102882424	102882434	102882444	102882454	102882464	102882474	102882484	102882494	102882504
		102882514	102882524	102882534	102882554	102882584	102882604	102882624	102882644	102882664	102882684
		102882704	102882724								

3SV N 4 Pole

ELP 4 P, 3 ~										
N Version	M ~ >	3SV02N0024	3SV05N0024	3SV08N0024	3SV11N0024	3SV14N0024	3SV19N0024	3SV23N0024	3SV27N0034	3SV33N0034
	T ~ >	1016L3304	1016L3334	1016L3364	1016L3394	1016L3424	1016L3474	1016L3514	1016L3554	1016L3614

Service Kit

-	Pump stack 3SVN EPDM	102882414	102882444	102882474	102882504	102882534	102882584	102882624	102882664	102882724
---	----------------------	-----------	-----------	-----------	-----------	-----------	-----------	-----------	-----------	-----------

For common components pls see spare part lists 1-22SV N 2 pole

\* Recommended spare parts - Parti di ricambio consigliate

\*\* Pièces détachées conseillées - Empfohlene Ersatzteile

\*\* Motor spare parts: see motor lists - Parti di ricambio motore: vedi liste motore

\*\* Pièces détachées Moteur : voir listes moteur - Motor-Ersatzteile: gem. Motorlisten



Specific components related to **5SV N-V-C-K 2 Pole**

ELP 2 P		5SV02N003	5SV03N005	5SV04N005	5SV05N007	5SV06N011	5SV07N011	5SV08N011	5SV09N015	5SV10N015	5SV11N015
N Version	M ~ >	1016L2514	1016L2524	1016L2534	1016L2544	1016L2554	1016L2564	1016L2574	1016L2584	1016L2594	1016L2604
	T ~ >	1016L0794	1016L0804	1016L0814	1016L0824	1016L0834	1016L0844	1016L0854	1016L0864	1016L0874	1016L0884
		<b>5SV12N022</b>	<b>5SV13N022</b>	<b>5SV14N022</b>	<b>5SV15N022</b>	<b>5SV16N022</b>	<b>5SV18N030</b>	<b>5SV21N030</b>	<b>5SV23N040</b>	<b>5SV25N040</b>	<b>5SV28N040</b>
	M ~ >	1016L2614	1016L2624	1016L2634	1016L2644	1016L2654					
	T ~ >	1016L0894	1016L0904	1016L0914	1016L0924	1016L0934	1016L0954	1016L0984	1016L1004	1016L1024	1016L1054
		<b>5SV30N055</b>	<b>5SV33N055</b>								
	M ~ >										
	T ~ >	1016L1074	1016L1104								
V Version	M ~ >	<b>5SV02V003</b>	<b>5SV03V005</b>	<b>5SV04V005</b>	<b>5SV05V007</b>	<b>5SV06V011</b>	<b>5SV07V011</b>	<b>5SV08V011</b>	<b>5SV09V015</b>	<b>5SV10V015</b>	<b>5SV11V015</b>
	M ~ >	1016L2515	1016L2525	1016L2535	1016L2545	1016L2555	1016L2565	1016L2575	1016L2585	1016L2595	1016L2605
	T ~ >	1016L0795	1016L0805	1016L0815	1016L0825	1016L0835	1016L0845	1016L0855	1016L0865	1016L0875	1016L0885
		<b>5SV12V022</b>	<b>5SV13V022</b>	<b>5SV14V022</b>	<b>5SV15V022</b>	<b>5SV16V022</b>	<b>5SV18V030</b>	<b>5SV21V030</b>	<b>5SV23V040</b>	<b>5SV25V040</b>	<b>5SV28V040</b>
	M ~ >	1016L2615	1016L2625	1016L2635	1016L2645	1016L2655					
	T ~ >	1016L0895	1016L0905	1016L0915	1016L0925	1016L0935	1016L0955	1016L0985	1016L1005	1016L1025	1016L1055
		<b>5SV30V055</b>	<b>5SV33V055</b>								
	M ~ >										
	T ~ >	1016L1075	1016L1105								
C Version	M ~ >	<b>5SV02C003</b>	<b>5SV03C005</b>	<b>5SV04C005</b>	<b>5SV05C007</b>	<b>5SV06C011</b>	<b>5SV07C011</b>	<b>5SV08C011</b>	<b>5SV09C015</b>	<b>5SV10C015</b>	<b>5SV11C015</b>
	M ~ >	1016L251B	1016L252B	1016L253B	1016L254B	1016L255B	1016L256B	1016L257B	1016L258B	1016L259B	1016L260B
	T ~ >	1016L079B	1016L080B	1016L081B	1016L082B	1016L083B	1016L084B	1016L085B	1016L086B	1016L087B	1016L088B
		<b>5SV12C022</b>	<b>5SV13C022</b>	<b>5SV14C022</b>	<b>5SV15C022</b>	<b>5SV16C022</b>	<b>5SV18C030</b>	<b>5SV21C030</b>	<b>5SV23C040</b>	<b>5SV25C040</b>	<b>5SV28C040</b>
	M ~ >	1016L261B	1016L262B	1016L263B	1016L264B	1016L265B					
	T ~ >	1016L089B	1016L090B	1016L091B	1016L092B	1016L093B	1016L095B	1016L098B	1016L100B	1016L102B	1016L105B
		<b>5SV30C055</b>	<b>5SV33C055</b>								
	M ~ >										
	T ~ >	1016L107B	1016L110B								
K Version	M ~ >	<b>5SV02K003</b>	<b>5SV03K005</b>	<b>5SV04K005</b>	<b>5SV05K007</b>	<b>5SV06K011</b>	<b>5SV07K011</b>	<b>5SV08K011</b>	<b>5SV09K015</b>	<b>5SV10K015</b>	<b>5SV11K015</b>
	M ~ >	1016L251C	1016L252C	1016L253C	1016L254C	1016L255C	1016L256C	1016L257C	1016L258C	1016L259C	1016L260C
	T ~ >	1016L079C	1016L080C	1016L081C	1016L082C	1016L083C	1016L084C	1016L085C	1016L086C	1016L087C	1016L088C
		<b>5SV12K022</b>	<b>5SV13K022</b>	<b>5SV14K022</b>	<b>5SV15K022</b>	<b>5SV16K022</b>	<b>5SV18K030</b>	<b>5SV21K030</b>	<b>5SV23K040</b>	<b>5SV25K040</b>	<b>5SV28K040</b>
	M ~ >	1016L261C	1016L262C	1016L263C	1016L264C	1016L265C					
	T ~ >	1016L089C	1016L090C	1016L091C	1016L092C	1016L093C	1016L095C	1016L098C	1016L100C	1016L102C	1016L105C
		<b>5SV30K055</b>	<b>5SV33K055</b>								
	M ~ >										
	T ~ >	1016L107C	1016L110C								

Common, Single Unit and kit

3	Base	161431310	-> 1-3-5 SV N-V-K
		161431300	-> 1-3-5SV C
14	Pump body	151302352	-> 1-3-5 SV C
		151302362	-> 1-3-5 SV V-P
		151302372	-> 1-3-5 SV K
		151302402	-> 5SV N

Service Kit

-	Pump stack 5SVN EPDM	102882784	102882794	102882804	102882814	102882824	102882834	102882844	102882854	102882864	102882874
		102882884	102882894	102882904	102882914	102882924	102882944	102882974	102882994	102883014	102883044
		102883064	102883094								

5SV N 4 Pole

ELP 2 P		5SV03N004	5SV06N004	5SV09N004	5SV12N004	5SV15N004	5SV18N004	5SV21N004	5SV25N004	5SV28N004	5SV33N004
N Version	T ~ >	1016L3684	1016L3714	1016L3744	1016L3774	1016L3804	1016L3834	1016L3864	1016L3904	1016L3934	1016L3984

Service Kit

-	Pump stack 5SVN EPDM	102882794	102882824	102882854	102882884	102882914	102882944	102882974	102883014	102883044	102883094
---	----------------------	-----------	-----------	-----------	-----------	-----------	-----------	-----------	-----------	-----------	-----------

For common components pls see spare part lists 1-22SV N 2 pole

\* Recommended spare parts - Parti di ricambio consigliate

\*\* Pièces détachées conseillées - Empfohlene Ersatzteile

\*\* Motor spare parts: see motor lists - Parti di ricambio motore: vedi liste motore

\*\* Pièces détachées Moteur : voir listes moteur - Motor-Ersatzteile: gem. Motorlisten

Specific components related to 10SV N-V-C-K 2 Pole

ELP 2P											
<b>N Version</b>		<b>10SV01N007</b>	<b>10SV02N007</b>	<b>10SV03N011</b>	<b>10SV04N015</b>	<b>10SV05N022</b>	<b>10SV06N022</b>	<b>10SV07N030</b>	<b>10SV08N030</b>	<b>10SV09N040</b>	<b>10SV10N040</b>
	M->	1016L2694	1016L2704	1016L2714	1016L2724	1016L2734	1016L2744				
	T->	1016L1154	1016L1164	1016L1174	1016L1184	1016L1194	1016L1204	1016L1214	1016L1224	1016L1234	1016L1244
		<b>10SV11N040</b>	<b>10SV13N055</b>	<b>10SV15N055</b>	<b>10SV17N075</b>	<b>10SV18N075</b>	<b>10SV20N075</b>	<b>10SV21N110</b>			
	M->										
<b>V Version</b>		<b>10SV01V007</b>	<b>10SV02V007</b>	<b>10SV03V011</b>	<b>10SV04V015</b>	<b>10SV05V022</b>	<b>10SV06V022</b>	<b>10SV07V030</b>	<b>10SV08V030</b>	<b>10SV09V040</b>	<b>10SV10V040</b>
	M->	1016L2695	1016L2705	1016L2715	1016L2725	1016L2735	1016L2745				
	T->	1016L1155	1016L1165	1016L1175	1016L1185	1016L1195	1016L1205	1016L1215	1016L1225	1016L1235	1016L1245
		<b>10SV11V040</b>	<b>10SV13V055</b>	<b>10SV15V055</b>	<b>10SV17V075</b>	<b>10SV18V075</b>	<b>10SV20V075</b>	<b>10SV21V110</b>			
	M->										
<b>C Version</b>		<b>10SV01C007</b>	<b>10SV02C007</b>	<b>10SV03C011</b>	<b>10SV04C015</b>	<b>10SV05C022</b>	<b>10SV06C022</b>	<b>10SV07C030</b>	<b>10SV08C030</b>	<b>10SV09C040</b>	<b>10SV10C040</b>
	M->	1016L269B	1016L270B	1016L271B	1016L272B	1016L273B	1016L274B				
	T->	1016L115B	1016L116B	1016L117B	1016L118B	1016L119B	1016L120B	1016L121B	1016L122B	1016L123B	1016L124B
		<b>10SV11C040</b>	<b>10SV13C055</b>	<b>10SV15C055</b>	<b>10SV17C075</b>	<b>10SV18C075</b>	<b>10SV20C075</b>	<b>10SV21C110</b>			
	M->										
<b>K Version</b>		<b>10SV01K007</b>	<b>10SV02K007</b>	<b>10SV03K011</b>	<b>10SV04K015</b>	<b>10SV05K022</b>	<b>10SV06K022</b>	<b>10SV07K030</b>	<b>10SV08K030</b>	<b>10SV09K040</b>	<b>10SV10K040</b>
	M->	1016L269C	1016L270C	1016L271C	1016L272C	1016L273C	1016L274C				
	T->	1016L115C	1016L116C	1016L117C	1016L118C	1016L119C	1016L120C	1016L121C	1016L122C	1016L123C	1016L124C
		<b>10SV11K040</b>	<b>10SV13K055</b>	<b>10SV15K055</b>	<b>10SV17K075</b>	<b>10SV18K075</b>	<b>10SV20K075</b>	<b>10SV21K110</b>			
	M->										
	1016L125B	1016L127B	1016L129B	1016L131B	1016L132B	1016L134B	1016L135B				
	1016L125C	1016L127C	1016L129C	1016L131C	1016L132C	1016L134C	1016L135C				

Common, Single Unit and Kit

3	Base	161431330	-> 10SV N - C
		161431350	-> 10SV V - P - K
14	Pump body	151302452	-> 10SVN PN 40
		151302482	-> 10SVC
		151302492	-> 10SVV-P
		151302502	-> 10SVK

Service Kit

-	Pump stack 10SV	102883144	102883154	102883164	102883174	102883184	102883194	102883204	102883224	102883244	102883264
	EPDM	102883284	102883334	102883374	102883414	102883434	102883474	102883494			

10SVN 4 Pole

ELP 4P, 3 ~										
<b>Version N</b>		<b>10SV04N04</b>	<b>10SV06N04</b>	<b>10SV08N04</b>	<b>10SV10N04</b>	<b>10SV13N04</b>	<b>10SV15N04</b>	<b>10SV17N04</b>	<b>10SV19N04</b>	<b>10SV21N04</b>
	T->	1016L4064	1016L4084	1016L4104	1016L4124	1016L4154	1016L4174	1016L4194	1016L4214	1016L4234

Service Kit

-	Pump stack 10SV	102883174	102883194	102883224	102883264	TbD	TbD	TbD	TbD	TbD
	EPDM									

For common components pls see spare part lists 1-22SV N 2 pole

TbD: Part Number To be Defined

\* Recommended spare parts - Parti di ricambio consigliate  
\* Pièces détachées conseillées - Ermpfohlene ersatzteile

\*\* Motor spare parts: see motor lists - Parti di ricambio motore: vedi liste motore

\*\* Pièces détachées Moteur : voir listes moteur - Motor-Ersatzteile: gem. Motorlisten

Specific components related to 15SV N-V-C-K 2 Pole

ELP 2P											
N Version	15SV01N011	15SV02N022	15SV03N030	15SV04N040	15SV05N040	15SV06N055	15SV07N055	15SV08N075	15SV09N075	15SV10N110	
	M~>	1016L2784	1016L2794								
	T ~>	1016L1404	1016L1414	1016L1424	1016L1434	1016L1444	1016L1454	1016L1464	1016L1474	1016L1484	1016L1494
		15SV11N110	15SV13N110	15SV15N150	15SV17N150						
	M~>										
	T ~>	1016L1504	1016L1524	1016L1544	1016L1564						
V Version	15SV01V011	15SV02V022	15SV03V030	15SV04V040	15SV05V040	15SV06V055	15SV07V055	15SV08V075	15SV09V075	15SV10V110	
	M~>	1016L2785	1016L2795								
	T ~>	1016L1405	1016L1415	1016L1425	1016L1435	1016L1445	1016L1455	1016L1465	1016L1475	1016L1485	1016L1495
		15SV11V110	15SV13V110	15SV15V150	15SV17V150						
	M~>										
	T ~>	1016L1505	1016L1525	1016L1545	1016L1565						
C Version	15SV01C011	15SV02C022	15SV03C030	15SV04C040	15SV05C040	15SV06C055	15SV07C055	15SV08C075	15SV09C075	15SV10C110	
	M~>	1016L278B	1016L279B								
	T ~>	1016L140B	1016L141B	1016L142B	1016L143B	1016L144B	1016L145B	1016L146B	1016L147B	1016L148B	1016L149B
		15SV11C110	15SV13C110	15SV15C150	15SV17C150						
	M~>										
	T ~>	1016L150B	1016L152B	1016L154B	1016L156B						
K Version	15SV01K011	15SV02K022	15SV03K030	15SV04K040	15SV05K040	15SV06K055	15SV07K055	15SV08K075	15SV09K075	15SV10K110	
	M~>	1016L278C	1016L279C								
	T ~>	1016L140C	1016L141C	1016L142C	1016L143C	1016L144C	1016L145C	1016L146C	1016L147C	1016L148C	1016L149C
		15SV11K110	15SV13K110	15SV15K150	15SV17K150						
	M~>										
	T ~>	1016L150C	1016L152C	1016L154C	1016L156C						

Common, Single Unit and Kit

14	Pump body	151302482	-> 15SVC
		151302492	-> 15SVV-P
		151302502	-> 15SVK
		151302602	-> 15SVN DN40

Service Kit

-	Pump stack 15SVN EPDM	102883584	102883594	102883604	102883614	102883634	102883664	102883684	102883704	102883724	102883744
---	-----------------------	-----------	-----------	-----------	-----------	-----------	-----------	-----------	-----------	-----------	-----------

15SVN 4 Pole

ELP 4P, 3 ~							
N Version	15SV05F04	15SV07F04	15SV09F04	15SV11F04	15SV13F04	15SV15F04	15SV17F04
	T ~>	1016L4324	1016L4344	1016L4364	1016L4384	1016L4404	1016L4444

Service Kit

-	Pump stack 15SVN EPDM	102883634	TbD	TbD	TbD	TbD	TbD	TbD
---	-----------------------	-----------	-----	-----	-----	-----	-----	-----

For common components pls see spare part lists 1-22SV N 2 pole

TbD: Part Number To be Defined

\* Recommended spare parts - Parti di ricambio consigliate

\* Pièces détachées conseillées - Empfohlene Ersatzteile

\*\* Motor spare parts: see motor lists - Parti di ricambio motore: vedi liste motore

\*\* Pièces détachées Moteur : voir listes moteur - Motor-Ersatzteile: gem. Motorlisten

Specific components related to **22SV N-V-C-K 2 Pole**

ELP 2P		22SV01N011	22SV02N022	22SV03N030	22SV04N040	22SV05N055	22SV06N075	22SV07N075	22SV08N110	22SV09N110	22SV10N110
N Version	M ~>	1016L2834	1016L2844								
	T ~>	1016L1614	1016L1624	1016L1634	1016L1644	1016L1654	1016L1664	1016L1674	1016L1684	1016L1694	1016L1704
		<b>22SV12N150</b>	<b>22SV14N150</b>	<b>22SV17N185</b>							
V Version	M ~>	1016L2835	1016L2845								
	T ~>	1016L1615	1016L1625	1016L1635	1016L1645	1016L1655	1016L1665	1016L1675	1016L1685	1016L1695	1016L1705
		<b>22SV12V150</b>	<b>22SV14V150</b>	<b>22SV17V185</b>							
C Version	M ~>	1016L283B	1016L284B								
	T ~>	1016L161B	1016L162B	1016L163B	1016L164B	1016L165B	1016L166B	1016L167B	1016L168B	1016L169B	1016L170B
		<b>22SV12C150</b>	<b>22SV14C150</b>	<b>22SV17C185</b>							
K Version	M ~>	1016L283C	1016L284C								
	T ~>	1016L161C	1016L162C	1016L163C	1016L164C	1016L165C	1016L166C	1016L167C	1016L168C	1016L169C	1016L170C
		<b>22SV12K150</b>	<b>22SV14K150</b>	<b>22SV17K185</b>							

**Common, Single Unit and Kit**

14	Pump body	151302482	-> 22SVC
		151302492	-> 22SVV-P
		151302502	-> 22SVK
		151302602	-> 22SVN DN40

**Service Kit**

-	Pump stack 22S	102883974	102883984	102883994	102884014	102884044	102884064	102884084	102884104	102884124	102884144
	EPDM	102884184	102884224	102884284							

**22SVN 4 Pole**

ELP 4P, 3 ~		22SV04N04	22SV06N04	22SV08N04	22SV10N04	22SV12N04	22SV14N04	22SV17N04
N Version								
T ~>		1016L4524	1016L4544	1016L4564	1016L4584	1016L4604	1016L4624	1016L4654

**Service Kit**

-	Pump stack 22S	102884014	TbD	102884094	102884134	102884174	TbD	TbD
	EPDM							

For common components pls see spare part lists 1-22SV N 2 pole

TbD: Part Number To be Defined

\* Recommended spare parts - Parti di ricambio consigliate  
 \* Pièces détachées conseillées - Empfohlene Ersatzteile  
 \*\* Motor spare parts: see motor lists - Parti di ricambio motore: vedi liste motore  
 \*\* Pièces détachées Moteur : voir listes moteur - Motor-Ersatzteile: gem. Motorlisten