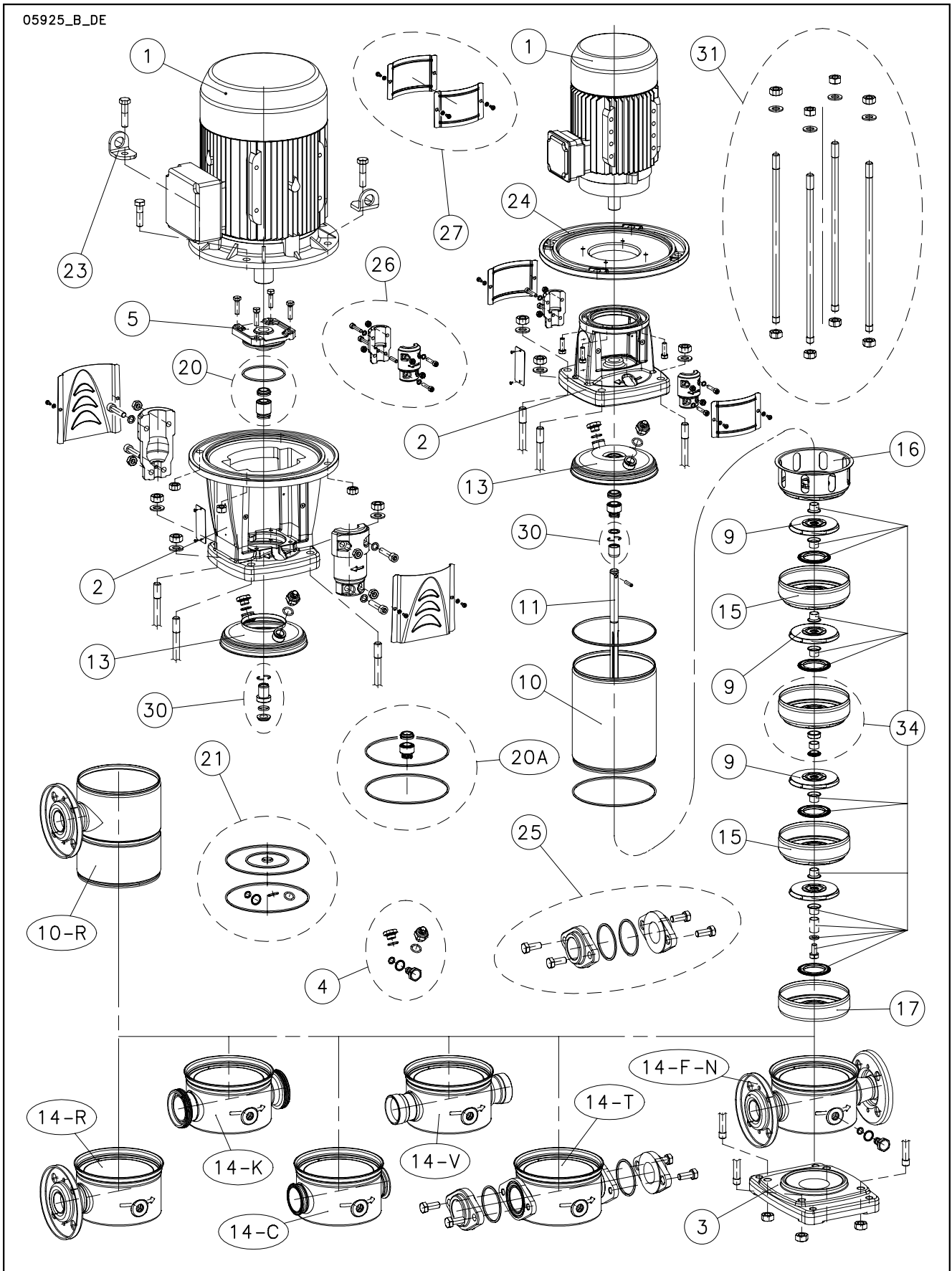


1, 3, 5, 10, 15, 22SV



Lowara and Vogel Pumpen are a trademark of Xylem Inc. or one of its subsidiaries. Goulds is a registered trademark of Goulds Pumps, Inc. and is used under license.

N.	Descrizione It	Description en	Description fr	Beschreibung de	Descripción es	Descrição pt
1	Motore	Motor	Moteur	Motor	Motor	Motor
2	Lanterna	Adaptor	Lanterne	Motorlanterne	Adaptador	Adaptador
3	Base	Basement	Base	Untersatz	Base	Base
4	Tappi	Plugs	Bouchons	Stopfen	Tapones	Tampões
5	Portatenuta superiore	Upper holder	Disque supérieure	Oberer dichtungsdeckel	Disco superior	Disco superior
9	Girante	Impeller	Roue	Laufrad	Rodete	Impulsor
10	Camicia	Sleeve	Chemise	Gehäuse	Camisa	Camisa
11	Albero	Shaft	Arbre	Welle	Árbol	Veio
13	Disco porta tenuta	Seal housing disc	Disque de garniture	Dichtungsdeckel	Disco de alojamiento sello	Disco porta-vedante
14	Corpo pompa	Pump body	Corps de pompe	Pumpengehäuse	Caja bomba	Corpo da bomba
15	Diffusore	Diffuser	Diffuseur	Diffusor	Difusor	Difusor
16	Diffusore finale	Last stage diffuser	Diffuseur dernier étage	Enddiffusor	Difusor final	Difusor final
17	Scatola stadio iniziale	Initial stage box	Box premier étage	Erste Stufe Diffusor	Caja etapa inicial	Carcaça primeira célula
20	Kit tenuta mecc. + OR	Mechanical seal + OR kit	Kit garniture mec. + joints toriques	Gleitringdichtung + O-Ring [Satz]	Kit sello mec. + junta tórica	Kit vedante mec. + OR
21	Kit guarnizioni OR	O ring kit	Kit joints toriques	Dichtungssatz	Kit juntas tóricas	Kit guarnições OR
23	Staffa sollevamento	Lifting bracket	Support de levage	Hebeösen	Soporte de elevación	Suporte de suspensão
24	Flangia motore	Motor flange	Bride moteur	Motorflansch	Brida motor	Flange motor
25	Kit controflangia ovale	O val counterflange kit	Kit contrebride ovale	Gegenflansch oval [Satz]	Kit contrabrida oval	Kit contraflange oval
26	Kit coppia di semigiunti	Pair of half coupling kit	Kit paire de demi-manchons	Kupplung [Satz]	Kit par de semijuntas	Kit par de semi-juntas
27	Kit protezione giunto	Coupling guard kit	Kit protection manchon	Kupplungsschutz [Satz]	Kit protección junta	Kit protecção junta
30	Kit bussola tenuta	Bush seal kit	Kit douille garniture	Gleitringdichtungsarretierung und mitnehmer	Kit casquillo sello	kit bucha vedante
31	Kit tiranti	Tie rods kit	Kit tirants	Zugstangen [Satz]	Kit tirantes	Kit tirantes
34	Kit parti di usura	Wear parts kit	Kit parties d'usure	Verschleißteile [Satz]	Kit piezas de desgaste	Kit peças desgastáveis
N.	Beschrijving nl	Περιγραφή el	Açıklama tr	Kuvaus fi	Описание ru	Opis pl
1	Motor	Πλήρης κινητήρας	Motor	Moottori	Двигатель	Silnik
2	Lantaarnstuk	Μπρακέτο	Adaptör	Sovitin	Крестовина	Piasta
3	Pompvoet	Βάση	Kaide	Perusta	Основание	Podstawa
4	Pluggen	Σετ ταπών	Tapalar	Tulpat	Пробки	Zatyczki
5	Bovenste plaat	Ανώτερος Δίσκος	Üst disk	Ylempi levy	Верхний держатель дисков	Tarcza górna
9	Waaier	στροφέιο	Pompa rotoru	Juoksupyöriä	рабочее колесо	Wirnik
10	Mantel	Κέλυφος	Gömlük	Muhvi	Муфта	Plaszcz
11	As	Άξονας	Mil	Akseli	Вал	Wał
13	Dichtingssteenplaat	Δίσκος μηχανικού στυπιοθλίπτη	Sızdırmazlık elemanı disk	Tiivisteenn kannatuslevy	Пластина держателя прокладки	Tarcza uszczelki
14	Pomphuis	Σώμα αντλίας	Pompa gövdesi	Pumpun runko	Корпус насоса	Korpus pompy
15	Diffusor	Πτερύγιο εκτροπής	Difüzör	Diffusori	Диффузор	Dyfuzor
16	Diffusor laatste trap	Τελευταίο πτερύγιο εκτροπής	Son difüzör	Loppuvaiheen diffusori	Конечный диффузор	Dyfuzor końcowy
17	Kast eerste trap	Πρώτο πτερύγιο εκτροπής	İlk kademe kutusu	Ensivaiheen laatikko	Коробка начальной стадии	Skrzynka początkowego stadium
20	Set mech. asafdichting + O-ring	Μηχανικός στυπιοθλίπτης και ροδέλες στεγανοποίησης	Mekanik salmastra kiti + O-Ring	Mek. tiiviste + O-rengassarja	Комплект мех. прокладки + OR	Zestaw uszcz. mech. + OR
21	Set O-ringafdichtingen	Σετ ροδέλες στεγανοποίησης	O-Ring kiti	O-rengassarja	Комплект кольцевых прокладок OR	Zestaw uszczeliek OR
23	Hijz steun	Άρση αγκύλη	Dirsek Kaldırma	Nosto ylätuki	Подъемные кронштейн	Podnoszenia wspornik
24	Motorflens	Μπρακέτο κινητήρα	Motor flanş	Moottorin laippa	Фланец двигателя	Kolnierz silnika
25	Set ovale flenzen	Σετ Οβάλ φλάντζα	Oval flanş kiti	Soikeiden vastalaipprojen sarja	Комплект Овальный фланец	Zestaw Kolnierz owalnych
26	Set koppelingshefften	Σετ σταθερού συνδέσμου	Çift yanım manşon kiti	Liitinsarja	Комплект пары полумуфт	Zestaw pary półzłączy
27	Set koppelingsbescherming	Καλύμματα προστασίας σταθερού συνδέσμου	Manşon koruma kiti	Liitoksen suojuussarja	Комплект защиты муфт	Zestaw ochrony złączy
30	Set afdichtingsbus	Σετ κουζινέτου μηχανικού στυπιοθλίπτη	Sızdırmazlık elemanı burcu kiti	Holkki ja tiiviste	Комплект втулки уплотнения	Zestaw busoli uszczel.
31	Set trekstangen	Σετ ράβδων σύνδεσης	Gergi çubuğu kiti	Vetotankosarja	Комплект тяг	Zestaw napinaczy
34	Set slijtonderdelen	Σετ δακτυλίων τριβής	Aşınma parçaları kiti	Kulumisiosien sarja	Комплект изнашиваемых частей	Zestaw części podl. zużyciu

1SV NL 2 Pole (1SVNL/D: motors IE3 fitted)

ELP 2 P		1SV02NL003	1SV03NL003	1SV04NL003	1SV05NL003	1SV06NL003	1SV07NL003	1SV08NL005	1SV09NL005	1SV10NL005	1SV11NL005
N Version	M ->	1016L183G	1016L184G	1016L185G	1016L186G	1016L187G	1016L188G	1016L189G	1016L190G	1016L191G	1016L192G
	T(IE1) ->	1016L001G	1016L002G	1016L003G	1016L004G	1016L005G	1016L006G	1016L007G	1016L008G	1016L009G	1016L010G
M ->		1SV12NL007	1SV13NL007	1SV15NL007	1SV17NL011	1SV19NL011	1SV22NL011	1SV25NL015	1SV27NL015	1SV30NL015	1SV32NL022
	T(IE2) ->	1016L193G	1016L194G	1016L196G	1016L198G	1016L200G	1016L203G	1016L206G	1016L208G	1016L211G	1016L213G
T(IE2) ->		1016L011G	1016L012G	1016L014G	1016L016G	1016L018G	1016L021G	1016L024G	1016L026G	1016L029G	1016L031G
		1016L011G	1016L012G	1016L014G	1016L016G	1016L018G	1016L021G	1016LA02G	1016LA04G	1016LA07G	1016LA1G
T(IE3) ->		1016LC11G	1016LC12G	1016LC14G	1016LC16G	1016LC18G	1016LC21G	1016LC24G	1016LC26G	1016LC29G	1016LC31G
		1SV34NL022	1SV37NL022								
M ->		1016L215G									
	T(IE2) ->	1016L033G									
T(IE3) ->		1016LA11G									
		1016LC33G									

Single Unit and Kit

10	Sleeve A316 PN25	166443042	166443062	166443072	166443082	166443102	166443122	166443142	166443152	166443162	166443182
		166443202	166443232	166443262	166443302	166443342	166443392	166443422	166443472	166443502	166443542
11	Shaft A316 PN25	165050042	165050062	165050072	165050082	165050102	165050122	165050142	165050152	165050162	165050182
		165050202	165050232	165050262	165050302	165050342	165050392	165050422	165050482	165050522	165050552
		165050602									
31	Tie rods SVN kit	KL22ANY	KL22ANZ	KL22AN0	KL22AN1	KL22AN2	KL22ACP	KL22AN4	KL22AN5	KL22AN6	KL22AN7
		KL22ACT	KL22APA	KL22APC	KL22APD	KL22APF	KL22APH	KL22APW	KL22APM	KL22APP	KL22APR
		KL22APS									

Motor, Coupling, Motor adaptor

Motor power kW >	0,37	0,37	0,37	0,37	0,37	0,55	0,55	0,55	0,55	0,75
		0,75	0,75	1,1	1,1	1,1	1,5	1,5	1,5	2,2
	2,2	2,2								

**1	kW >	0,37	0,55	0,75	1,1	1,5	2,2
	Motor 2P, 1 ~>	107230020	107230040	107230100	107230120	107230180	50004HD00
	Motor 2P, 3~IE2 since 0,75kW>	107230060	107230080	107230150	107230500	50000RD00	50001RD00
		107230060	107230080	107230150	107230500	107240000	107240500
	Motor 2P, 3~IE3 since 0,75kW>	107230060	107230080	107234000	107234010	107234020	50A01RD00
2	Adaptor	161470700	161470700	161470720	161470720	161470740	161470740
23	Lifting bracket	-	-	-	-	-	-
26	Coupling	KL10ABC	KL10ABC	KL10ABD	KL10ABD	KL10ABE	KL10ABE
27	Coupling guard	KL33AAM	KL33AAM	KL33AAN	KL33AAN	KL33AAP	KL33AAP

Wear Parts kit

up to model (->)	-> 1SV10	-> 1SV20	-> 1SV27	-> 1SV35	-> 1SV38
*34 Wear parts	1 bearing	2 bearing	3 bearing	4 bearing	5 bearing
	KL35AEX	KL35AEY	KL35AEZ	KL35AE0	KL35AE1

Mechanical seal Kit : Mech seal D12 + sleeve OR

*20A	Materials ->	Q1BEGG	KL01AAD	Std -> Seal Q1BEGG - OR EPDM sleeve / Unbalanced
		Q1Q1EGG	KL01AC7	
		Q1BVGG	KL01AAG	
		Q1Q1VGG	KL01AC9	
		Q1CTGG	KL01ADB	
		Q1Q1TGG	KL01ADD	

Common, Single Unit and kit

3	Base	161431310	-> 1-3-5 SV N-V-K
4	Plugs	EPDM	KL34AAK
		FPM	KL34AAL
		FEP	KL34AAM
5	Upper holder	-	
*9	Impeller 1SV A316	150703602	
	First impeller 3SV A316	150703612	
13	Seal housing disc	150102922	
14	Pump body	151302322	-> 1-3SVN
15	Diffuser	152803112	
16	Last stage diffuser	152803012	
17	First stage box	152802912	
*21	OR	EPDM	KL02AA1
		FPM	KL02AA2
		FEP	KL02AA3
24	Motor flange	-	
25	Kit oval flange OR EPDM	-	
	Kit oval flange OR FPM	-	
30	Impellers retainer	KL41AAZ	

* Recommended spare parts - Parti di ricambio consigliate

* Pièces détachées conseillées - Empfohlene Ersatzteile

** Motor spare parts: see motor lists - Parti di ricambio motore: vedi liste motore

** Pièces détachées Moteur : voir listes moteur - Motor-Ersatzteile: gem. Motorlisten

3SVNL 2 Pole (3SVNL/D: motors IE3 fitted)

ELP 2 P										
N Version	3SV02NL003	3SV03NL003	3SV04NL003	3SV05NL005	3SV06NL005	3SV07NL007	3SV08NL007	3SV09NL011	3SV10NL011	3SV11NL011
M ~>	1016L223G	1016L224G	1016L225G	1016L226G	1016L227G	1016L228G	1016L229G	1016L230G	1016L231G	1016L232G
T(IE1-IE2) ~>	1016L042G	1016L043G	1016L044G	1016L045G	1016L046G	1016L047G	1016L048G	1016L049G	1016L050G	1016L051G
	1016L042G	1016L043G	1016L044G	1016L045G	1016L046G	1016L047G	1016L048G	1016L049G	1016L050G	1016L051G
	1016L042G	1016L043G	1016L044G	1016L045G	1016L046G	1016L047G	1016L048G	1016L049G	1016L050G	1016L051G
	1016L042G	1016L043G	1016L044G	1016L045G	1016L046G	1016L047G	1016L048G	1016L049G	1016L050G	1016L051G
T(IE2-IE3) ~>	3SV12NL011	3SV13NL015	3SV14NL015	3SV16NL015	3SV19NL022	3SV21NL022	3SV23NL022	3SV25NL022	3SV27NL030	3SV29NL030
T(IE2) ~>	1016L233G	1016L234G	1016L235G	1016L237G	1016L240G	1016L242G	1016L244G	1016L246G		
T(IE3) ~>	1016L052G	1016L053G	1016L054G	1016L056G	1016L059G	1016L061G	1016L063G	1016L065G	1016L067G	1016L069G
	1016L052G	1016LA19G	1016LA20G	1016LA22G	1016LA25G	1016LA27G	1016LA29G	1016LA31G	1016LA33G	1016LA35G
	1016LC52G	1016LC53G	1016LC54G	1016LC56G	1016LC59G	1016LC61G	1016LC63G	1016LC65G	1016LC67G	1016LC69G
	3SV31NL030	3SV33NL030								
M ~>										
T(IE2) ~>	1016L071G									
	1016LA37G									
T(IE3) ~>	1016LC71G									

Single Unit and Kit

10	Sleeve A316 PN 25	166443042	166443062	166443072	166443082	166443102	166443122	166443142	166443152	166443162	166443182	
		166443202	166443222	166443242	166443302	166443322	166443362	166443392	166443422	166443462	166443482	
		166443522										
11	Shaft A316 PN 25	165050042	165050062	165050072	165050082	165050102	165050122	165050142	165050152	165050162	165050182	
		165050202	165050222	165050242	165050302	165050322	165050362	165050392	165050422	165050472	165050502	
		165050542										
31	Tie rods SVN kit PN 25	KL22ANY	KL22ANZ	KL22ANO	KL22AN1	KL22AN2	KL22ACP	KL22AN4	KL22AN5	KL22AN6	KL22AN7	
		KL22ACT	KL22AN9	KL22APB	KL22APD	KL22APE	KL22APG	KL22APH	KL22APK	KL22APL	KL22APN	
		KL22APQ										

Motor, Coupling, Motor adaptor

Motor power kW >	0,37	0,37	0,55	0,55	0,75	0,75	1,1	1,1	1,1	1,1
	1,5	1,5	1,5	2,2	2,2	2,2	2,2	3,0	3,0	3,0
	3,0	3,0								

**1	kW >	0,37	0,55	0,75	1,1	1,5	2,2	3,0		
	Motor 2P, 1 ~>	107230020	107230040	107230100	107230120	107230180	50004HD00			
	Motor 2P, 3-IE2 since 0,75kW>	107230060	107230080	107230150	107230500	50000RD00	50001RD00	50002RF00		
		107230060	107230080	107230150	107230500	107240000	107240500	107241000		
	Motor 2P, 3-IE3 since 0,75kW>	107230060	107230080	107234000	107234010	107234020	50A01RD00	50A02RF00		
2	Adaptor	161470700	161470700	161470720	161470720	161470740	161470740	161470760		
23	Lifting bracket	-	-	-	-	-	-	-		
26	Coupling	KL10ABC	KL10ABC	KL10ABD	KL10ABD	KL10ABE	KL10ABE	KL10ABF		
27	Coupling guard	KL33AAM	KL33AAM	KL33AAN	KL33AAN	KL33AAP	KL33AAP	KL33AAQ		

Wear Parts kit

up to model (->)	-> 3SV10	-> 3SV20	-> 3SV27	-> 3SV35	
*34	Wear parts	KL35AEX	KL35AEY	KL35AEZ	KL35AE0

Mechanical seal Kit : Mech seal D12 + sleeve OR

*20A	Materials ->	Q1BEGG	KL01AAD	Std -> Seal Q1BEGG - OR EPDM Sleeve / Unbalanced
		Q1Q1EGG	KL01AC7	
		Q1BVGG	KL01AAG	
		Q1Q1VGG	KL01AC9	
		Q1CTGG	KL01ADB	
		Q1Q1TGG	KL01ADD	

Common, Single Unit and kit

3	Base	161431310	-> 1-3-5 SV N-V-K
4	Plugs	EPDM	KL34AAK
		FPM	KL34AAL
		FEP	KL34AAM
5	Upper holder	-	
*9	Impeller 3SV A316	150703612	
	First impeller 5SV A316	150703622	
13	Seal housing disc	150102922	
14	Pump body	151302322	-> 1-3SV N
15	Diffuser	152803112	
16	Last stage diffuser	152803012	
17	First stage box	152803302	Low NPSH stage
*21	OR	EPDM	KL02AA1
		FPM	KL02AA2
		FEP	KL02AA3
24	Motor flange	-	
25	Kit oval flange OR EPDM	-	
	Kit oval flange OR FPM	-	
30	Impellers retainer	KL41AAZ	

* Recommended spare parts - Parti di ricambio consigliate

* Pièces détachées conseillées - Empfohlene Ersatzteile

** Motor spare parts: see motor lists - Parti di ricambio motore: vedi liste motore

** Pièces détachées Moteur : voir listes moteur - Motor-Ersatzteile: gem. Motorlisten

5SVNL 2 Pole (5SVNL/D: motors IE3 fitted)

ELP 2 P		5SV02NL007	5SV03NL007	5SV04NL007	5SV05NL011	5SV06NL011	5SV07NL015	5SV08NL015	5SV09NL015	5SV10NL015	5SV11NL022
N Version	M ->	1016L251G	1016L252G	1016L253G	1016L254G	1016L255G	1016L256G	1016L257G	1016L258G	1016L259G	1016L260G
	T(IE1-IE2) ->	1016L079G	1016L080G	1016L081G	1016L082G	1016L083G	1016L084G	1016L085G	1016LA44G	1016LA45G	1016LA46G
T(IE1-IE3) ->		1016L079G	1016L080G	1016L081G	1016LC82G	1016LC83G	1016LC84G	1016LC85G	1016LC86G	1016LC87G	1016LC88G
		5SV12NL022	5SV13NL022	5SV14NL022	5SV15NL022	5SV16NL030	5SV18NL030	5SV21NL030	5SV23NL040	5SV25NL040	5SV28NL040
M ->		1016L261G	1016L262G	1016L263G	1016L264G						
	T(IE2) ->	1016L089G	1016L090G	1016L091G	1016L092G	1016L093G	1016L095G	1016L098G	1016L100G	1016L102G	1016L105G
T(IE3) ->		1016LA47G	1016LA48G	1016LA49G	1016LA50G	1016LA51G	1016LA53G	1016LA56G	1016L100G	1016L102G	1016L105G
		1016LC89G	1016LC90G	1016LC91G	1016LC92G	1016LC93G	1016LC95G	1016LC98G	1016LD00G	1016LD02G	1016LD05G
		5SV30NL055	5SV33NL055								
M ->											
T(IE2) ->		1016L107G									
T(IE3) ->		1016LD07G									

Single Unit and Kit

10	Sleeve A316 PN25	166443052	166443072	166443092	166443112	166443132	166443152	166443172	166443192	166443212	166443232	
		166443252	166443272	166443292	166443312	166443352	166443412	166443452	166443492	166443552	166443592	
		166443652										
11	Shaft A316 PN25	165050052	165050072	165050092	165050112	165050132	165050152	165050172	165050192	165050212	165050232	
		165050252	165050272	165050292	165050312	165050352	165050412	165050452	165050492	165050552	165050592	
		165050652										
31	Tie rods SVN kit PN25	KL22AP1	KL22AN0	KL22AP2	KL22AP3	KL22AP4	KL22AN5	KL22AP5	KL22AP6	KL22AP7	KL22APA	
		KL22AP8	KL22AP9	KL22AQA	KL22AQB	KL22AQC	KL22AQD	KL22AQE	KL22AQF	KL22AQG	KL22AQH	
		KL22AQQ										

Motor, Coupling, Motor adaptor

Motor power kW >	0,75	0,75	0,75	1,1	1,1	1,5	1,5	1,5	1,5	2,2
	2,2	2,2	2,2	2,2	3,0	3,0	3,0	4,0	4,0	4,0
	5,5	5,5								

**1	kW >	0,37	0,55	0,75	1,1	1,5	2,2	3,0	4,0	5,5
	Motor 2P, 1 ->	107230020	107230040	107230100	107230120	107230180	50004HD00			
	Motor 2P,3-IE2 since 0,75kW>	107230060	107230080	107230150	107230500	50000RD00	50001RD00	50002RF00	50008VG00	50013VE00
		107230060	107230080	107230150	107230500	107240000	107240500	107241000	50008VG00	50013VE00
	Motor 2P,3-IE3 since 0,75kW>	107230060	107230080	107234000	107234010	107234020	50A01RD00	50A02RF00	50A08VL00	50A13VE00
2	Adaptor	161470700	161470700	161470720	161470710	161470740	161470740	161470760	161470760	161470760
23	Lifting bracket	-	-	-	-	-	-	-	-	161441050
26	Coupling	KL10ABC	KL10ABC	KL10ABD	KL10ABD	KL10ABE	KL10ABE	KL10ABF	KL10ABF	KL10ABY
27	Coupling guard	KL33AAM	KL33AAM	KL33AAN	KL33AAN	KL33AAP	KL33AAP	KL33AAQ	KL33AAQ	KL33AAQ

Wear Parts kit

up to model (->)	-> 5SV08	-> 5SV16	-> 5SV22	-> 5SV28	-> 5SV34		
	1 bearing	2 bearing	3 bearing	4 bearing	5 bearing		
*34	Wear parts	KL35AE2	KL35AE3	KL35AE4	KL35AE5	KL35AE6	
	First spacer 5SV A316	162503912	162503912	162503912	162503912	162503912	Low NPSH spacer

Mechanical seal Kit : Mech seal D12 + sleeve OR

*20A	Materials ->	Q1BEGG	KL01AAD	Std -> Seal Q1BEGG - OR Sleeve EPDM / Unbalanced
		Q1Q1EGG	KL01AC7	
		Q1BVG	KL01AAG	
		Q1Q1VGG	KL01AC9	
		Q1CTGG	KL01ADB	
		Q1Q1TGG	KL01ADD	

Common, Single Unit and kit

3	Base	161431310	-> 1-3-5 SV N-V-K
4	Plugs	EPDM	KL34AAK
		FPM	KL34AAL
		FEP	KL34AAM
5	Upper holder	-	
*9	Impeller 5SV A316	150703622	
	First impeller 5SV A316	150703712	Low NPSH impeller
13	Seal housing disc	150102922	
14	Pump body	151302402	-> 5SV N
15	Diffuser	152803122	
16	Last stage diffuser	152803022	
17	First stage box	152803312	Low NPSH stage
*21	OR	EPDM	KL02AA1
		FPM	KL02AA2
		FEP	KL02AA3
24	Motor flange	161050700	1-3-5SV 5,5 kW
25	Kit oval flange OR EPDM	-	
	Kit oval flange OR FPM	-	
30	Impellers retainer	KL41AAZ	

* Recommended spare parts - Parti di ricambio consigliate

* Pièces détachées conseillées - Empfohlene Ersatzteile

** Motor spare parts: see motor lists - Parti di ricambio motore: vedi liste motore

** Pièces détachées Moteur : voir listes moteur - Motor-Ersatzteile: gem. Motorlisten

10SVNL 2 Pole (10SVNL/D: motors IE3 fitted)

ELP 2P										
N Version	10SV01NL015	10SV02NL015	10SV03NL015	10SV04NL022	10SV05NL022	10SV06NL030	10SV07NL030	10SV08NL030	10SV09NL040	10SV10NL040
M->	1016L269G	1016L270G	1016L271G	1016L272G	1016L273G					
T(IE2) ->	1016L115G	1016L116G	1016L117G	1016L118G	1016L119G	1016L120G	1016L121G	1016L122G	1016L123G	1016L124G
	1016L115G	1016L116G	1016L117G	1016LA61G	1016LA62G	1016LA63G	1016LA64G	1016LA65G	1016L123G	1016L124G
T(IE3) ->	1016LD15G	1016LD16G	1016LD17G	1016LD18G	1016LD19G	1016LD20G	1016LD21G	1016LD22G	1016LD23G	1016LD24G
	10SV11NL055	10SV13NL055	10SV15NL055	10SV17NL075	10SV18NL075	10SV20NL075	10SV21NL110			
M->										
T(IE2) ->	1016L125G	1016L127G	1016L129G	1016L131G	1016L132G	1016L134G				
T(IE3) ->	1016LD25G	1016LD27G	1016LD29G	1016LD31G	1016LD32G	1016LD34G				

Single Unit and Kit

10 Sleeve A316	166444032	166444042	166444062	166444072	166444082	166444102	166444112	166444122	166444142	166444162
PN 25	166444192	166444222	166444232	166444262	166444272					
11 Shaft A316	165051032	165051042	165051062	165051072	165051082	165051102	165051112	165051122	165051142	165051162B
	165051192B	165051222B	165051232B	165051262B	165051272B					
31 Tie rods SVN Kit	KL22AC4	KL22AQW	KL22AQY	KL22AQZ	KL22AQ0	KL22AQ2	KL22AC9	KL22AQ4	KL22AQ6	KL22AQ8
	KL22ARB	KL22ARE	KL22ARF	KL22ARK	KL22ARL					

Motor, Coupling, Motor Adaptor

Motor power	1,5	1,5	1,5	2,2	2,2	3,0	3,0	4,0	4,0	4,0
kW >	5,5	5,5	5,5	7,5	7,5	7,5	11,0			

**1 kW ->	1,5	2,2	3,0	4,0	5,5	7,5	11,0
Motor 2P, 1 - >	107230180	50004HD00					
Motor 2P,3-IE2 since 0,75kW>	50000RD00	50001RD00	50002RF00	50008VG00	50013VE00	50A17VB00	50019VE00
	107240000	107240500	107241000	50008VG00	50013VE00	50017VB00	50019VE00
Motor 2P,3-IE3 since 0,75kW>	107234020	50A01RD00	50A02RF00	50A08VL00	50A13VE00	50A17VB00	50A19VE00
2 Adaptor	161470820	161470820	161470840	161470840	161470860	161470860	161470880
23 Lifting bracket	-	-	-	-	161441050	161441050	161441060
26 Coupling	KL10ABH	KL10ABH	KL10ABK	KL10ABK	KL10ABZ	KL10ABZ	KL10AB0
27 Coupling guard	KL33AAS	KL33AAS	KL33AAT	KL33AAT	KL33AAU	KL33AAU	KL33AAU

Wear Parts Kit

up to model (- >)	->10SV09	->10SV16	->10SV21
*34 Wear parts	KL35AE7	KL35AE8	KL35AE9
First spacer 10SV A316	162503922	162503922	162503922
Impeller spacer 10SV A316	162503952	162503952	162503952

Mechanical seal Kit : Mech seal D16 + OR

*20 Materials->	Q1BEGG	KL01AAE	Std -> Seal Q1BEGG - sleeve OR EPDM / Unbalanced : 10-15-22SV < / = 4 kW
	Q1Q1EGG	KL01AC8	
	Q1BVGG	KL01AAH	
	Q1Q1VGG	KL01ADA	
	Q1CTGG	KL01ADC	
	Q1Q1TGG	KL01ADE	
*20 Materials->	Q1BEGG	KL01AD7	Std -> Seal Q1BEGG - upper holder OR EPDM / Balanced : 10-15-22SV = / > 5,5 kW
	Q1Q1EGG	KL01AD3	
	Q1BVGG	KL01AD2	
	Q1Q1VGG	KL01AD4	
	Q1CTGG	KL01AD9	
	Q1Q1TGG	KL01AEA	

Common, Single Unit and Kit

3 Base	161431330	-> 10SV N - C
4 Plugs	EPDM	KL34AAK
	FPM	KL34AAL
	FEP	KL34AAM
5 Upper holder	-	Up to 4,0 kW included
	160103722	Over 5,5 kW
	160103742	Part with hole for tap
*9 Impeller10 SV A316	150703632	
First impeller 15SV A316	150703642	
13 Seal housing disc	150102942	Up to 4,0 kW included
	150102962	Over 5,5 kW
14 Pump body	151302452	-> 10SVN PN 40
15 Diffuser carbon bush	152803132	
16 Last stage diffuser	152803032	
17 First stage box	152803322	Low NPSH stage
*21 OR	EPDM	KL02AA4
	FPM	KL02AA5
	FEP	KL02AA6
24 Motor flange	-	
25 Kit oval flange OR EPDM	-	
Kit oval flange OR FPM	-	
30 Impellers retainer	KL41AA0	Unbalanced : 10-15-22SV < / = 4 kW
30 Bush seal kit	KL41AA2	Balanced : 10-15-22SV = / > 5,5 kW

* Recommended spare parts - Parti di ricambio consigliate

* Pièces détachées conseillées - Empfohlene Ersatzteile

** Motor spare parts: see motor lists - Parti di ricambio motore: vedi liste motore

** Pièces détachées Moteur : voir listes moteur - Motor-Ersatzteile: gem. Motorliste

15SVNL 2 Pole (15SVNL/D: motors IE3 fitted)

ELP 2P		15SV01NL03	15SV02NL03	15SV03NL04	15SV04NL04	15SV05NL05	15SV06NL05	15SV07NL07	15SV08NL07	15SV09NL11	15SV10NL11
N Version	M->										
	T(IE2) ->	1016L140G	1016L141G	1016L142G	1016L143G	1016L144G	1016L145G	1016L146G	1016L147G	1016L148G	1016L149G
T(IE3) ->		1016L140G	1016LA70G	1016LA71G	1016L143G	1016L144G	1016L145G	1016L146G	1016L147G	1016L148G	1016L149G
		1016LD40G	1016LD41G	1016LD42G	1016LD43G	1016LD44G	1016LD45G	1016LD46G	1016LD47G	1016LD48G	1016LD49G
	M->	15SV11NL11	15SV13NL11	15SV15NL15	15SV17NL15						
T(IE2) ->		1016L150G	1016L152G	1016L154G							
	T(IE3) ->	1016LD50G	1016LD52G	1016LD54G							

Single Unit and Kit

10	Sleeve A316 PN 25	166444032	166444052	166444072	166444092	166444112	166444132	166444152	166444172	166444192	166444212
11	Shaft A316	165051032	165051052	165051072	165051092	165051122B	165051132B	165051152B	165051172B	165051192B	165051212B
		165051252B	165051292B	165051332B							
31	Tie rods SVN Kit	KL22AC4	KL22AQX	KL22AQZ	KL22AQ1	KL22AC9	KL22AQ5	KL22AQ7	KL22AQ9	KL22ARB	KL22ARD
		KL22ARH	KL22ARM	KL22ARP							

Motor, Coupling, Motor Adaptor

Motor power kW >	3,0	3,0	4,0	4,0	5,5	5,5	7,5	7,5	11,0	11,0
	11,0	11,0	15,0	15,0						

**1	kW ->	1,1	2,2	3,0	4,0	5,5	7,5	11,0	15,0
	Motor 2P, 1 ->								
	Motor 2P, 3-IE2 since 0,75kW>	50000RD00	50001RD00	50002RF00	50008VG00	50013VE00	50A17VB00	50A19VE00	50A24VB00
		107240000	107240500	107241000	50008VG00	50013VE00	50017VB00	50019VE00	50024VB00
	Motor 2P, 3-IE3 since 0,75kW>	107234010	50A01RD00	50A02RF00	50A08VL00	50A13VE00	50A17VB00	50A19VE00	50A24VB00
2	Adaptor	161470720	161470820	161470840	161470840	161470860	161470860	161470880	161470880
23	Lifting bracket	-	-	-	-	161441050	161441050	161441060	161441060
26	Coupling	KL10ABD	KL10ABH	KL10ABK	KL10ABK	KL10ABZ	KL10ABZ	KL10AB0	KL10AB0
27	Coupling guard	KL33AAN	KL33AAS	KL33AAT	KL33AAT	KL33AAU	KL33AAU	KL33AAU	KL33AAU

Wear Parts Kit

up to model (->)	->15SV06	->15SV11	->15SV17		
	1 bearing	2 bearing	3 bearing		
*34	Wear parts	KL35AFA	KL35AFB	KL35AFC	
	First spacer 15-22SV A316	162503932	162503932	162503932	Low NPSH spacer
	Impeller spacer 15-22SV A316	162503962	162503962	162503962	Low NPSH spacer
	Impeller screw A316	002617895	002617895	002617895	Screw M10X30 A4-70 Hex

Mechanical seal Kit : Mech seal D16 + OR

*20A	Materials->	Q1BEGG	KL01AAE	Std -> Seal Q1BEGG - sleeve OR EPDM / Unbalanced : 10-15-22SV < / = 4 kW
		Q1Q1EGG	KL01AC8	
		Q1BVGG	KL01AAH	
		Q1Q1VGG	KL01ADA	
		Q1CTGG	KL01ADC	
		Q1Q1TGG	KL01ADE	
*20	Materials->	Q1BEGG	KL01AD7	Std -> Seal Q1BEGG - upper holder OR EPDM / Balanced : 10-15-22SV = / > 5,5 kW
		Q1Q1EGG	KL01AD3	
		Q1BVGG	KL01AD2	
		Q1Q1VGG	KL01AD4	
		Q1CTGG	KL01AD9	
		Q1Q1TGG	KL01AEA	

Common, Single Unit and Kit

3	Base	161431350	-> 15-22SV
4	Plugs	EPDM	KL34AAK
		FPM	KL34AAL
		FEP	KL34AAM
5	Upper holder	-	Up to 4,0 kW included
		160103722	Over 5,5 kW
		160103742	Part with hole for tap
*9	Impeller 15SV A316	150703642	
	First impeller 15-22SV A316	150703722	Low NPSH impeller
13	Seal housing disc	150102942	Up to 4,0 kW included
		150102962	Over 5,5 kW
14	Pump body	151302602	-> 15SVNL DN40
15	Diffuser	152803152	
16	Last stage diffuser	152803052	
17	First stage box	152803332	Low NPSH stage
*21	OR	EPDM	KL02AA4
		FPM	KL02AA5
		FEP	KL02AA6
24	Motor flange	-	
25	Kit oval flange OR EPDM	-	
		-	
30	Impellers retainer	KL41AA0	Unbalanced : 10-15-22SV < / = 4 kW
30	Bush seal kit	KL41AA2	Balanced : 10-15-22SV = / > 5,5 kW

* Recommended spare parts - Parti di ricambio consigliate

* Pièces détachées conseillées - Empfohlene Ersatzteile

** Motor spare parts: see motor lists - Parti di ricambio motore: vedi liste motore

** Pièces détachées Moteur : voir listes moteur - Motor-Ersatzteile: gem. Motorlister

22SVNL 2 Pole (22SVNL/D: motors IE3 fitted)

ELP 2P		22SV01NL03	22SV02NL03	22SV03NL04	22SV04NL05	22SV05NL05	22SV06NL07	22SV07NL11	22SV08NL11	22SV09NL11	22SV10NL11
N Version	M->	1016L161G	1016L162G	1016L163G	1016L164G	1016L165G	1016L166G	1016L167G	1016L168G	1016L169G	1016L170G
T(IE2) ->		1016LA75G	1016LA76G	1016LA77G	1016L164G	1016L165G	1016L166G	1016L167G	1016L168G	1016L169G	1016L170G
T(IE3) ->		1016LD61G	1016LD62G	1016LD63G	1016LD64G	1016LD65G	1016LD66G	1016LD67G	1016LD68G	1016LD69G	1016LD70G
		22SV12NL15	22SV14NL15	22SV17NL185							
M->											
T(IE2) ->		1016L172G	1016L174G	1016L177G							
T(IE3) ->		1016LD72G	1016LD74G	1016LD77G							

Single Unit and Kit

10	Sleeve A316 PN 25	166444032 166444272	166444052 166444332	166444072	166444092	166444112	166444132	166444152	166444172	166444192	166444232
11	Shaft A316	165051032 165051272B	165051052 165051332B	165051072	165051092B	165051112B	165051132B	165051152B	165051172B	165051192B	165051232B
31	Tie rods SVN Kit	KL22AC4 KL22ARL	KL22AQX KL22ARP	KL22AQZ	KL22AQ1	KL22AC9	KL22AQ5	KL22AQ7	KL22AQ9	KL22ARB	KL22ARF

Motor, Coupling, Motor Adaptor

Motor power kW >	3,0	3,0	4,0	5,5	5,5	7,5	11,0	11,0	11,0	11,0
	15,0	15,0	18,5							

**1	kW ->	3,0	4,0	5,5	7,5	11,0	15,0	18,5
	Motor 2 P, 1~>							
	Motor 2P,3-IE2 since 0,75kW>	50002RF00	50008VG00	50013VE00	50A17VB00	50A19VE00	50A24VB00	50025VB00
		107241000	50008VG00	50013VE00	50A17VB00	50A19VE00	50A24VB00	50025VB00
	Motor 2P,3-IE3 since 0,75kW>	50A02RF00	50A08VL00	50A13VE00	50A17VB00	50A19VE00	50A24VB00	50A25VB00
2	Adaptor	161470840	161470840	161470860	161470860	161470880	161470880	161470880
23	Lifting bracket	-	-	161441050	161441050	161441060	161441060	161441060
26	Coupling	KL10ABK	KL10ABK	KL10ABZ	KL10ABZ	KL10AB0	KL10AB0	KL10AB0
27	Coupling guard	KL33AAT	KL33AAU	KL33AAU	KL33AAU	KL33AAU	KL33AAU	KL33AAU

Wear Parts Kit

up to model (->)	->22SV06	->22SV11	->22SV17	
	1 bearing	2 bearing	3 bearing	
*34 Wear parts	KL35AFA	KL35AFB	KL35AFC	
First spacer 15-22SV A316	162503932	162503932	162503932	Low NPSH spacer
Impeller spacer 15-22SV A316	162503962	162503962	162503962	Low NPSH spacer
Impeller screw A316	002617895	002617895	002617895	Screw M10X30 A4-70 Hex

Mechanical seal Kit : Mech seal D16 + OR

*20A	Materials->	Q1BEGG	KL01AAE	Std -> Seal Q1BEGG - sleeve OR EPDM / Unbalanced : 10-15-22SV < / = 4 kW
		Q1Q1EGG	KL01AC8	
		Q1BVGG	KL01AAH	
		Q1Q1VGG	KL01ADA	
		Q1CTGG	KL01ADC	
		Q1Q1TGG	KL01ADE	
*20	Materials->	Q1BEGG	KL01AD7	Std -> Seal Q1BEGG - upper holder OR EPDM / Balanced : 10-15-22SV = / > 5,5 kW
		Q1Q1EGG	KL01AD3	
		Q1BVGG	KL01AD2	
		Q1Q1VGG	KL01AD4	
		Q1CTGG	KL01AD9	
		Q1Q1TGG	KL01AEA	

Common, Single Unit and Kit

3	Base	161431350	-> 15-22SV
4	Plugs	EPDM FPM FEP	KL34AAK KL34AAL KL34AAM
5	Upper holder	- 160103722 160103742	Up to 4,0 kW included Over 5,5 kW Part with hole for tap
*9	Impeller 22SV A316	150703652	
	First impeller 15-22SV A316	150703722	Low NPSH impeller
13	Seal housing disc	150102942 150102962	Up to 4,0 kW included Over 5,5 kW
14	Pump body	151302602	-> 22SVNL DN40
15	Diffuser	152803152	
16	Last stage diffuser	152803052	
17	First stage box	152803332	Low NPSH stage
*21	OR	EPDM FPM FEP	KL02AA4 KL02AA5 KL02AA6
24	Motor flange	-	
25	Kit oval flange OR EPDM Kit oval flange OR FPM	- -	
30	Impellers retainer	KL41AA0	Unbalanced : 10-15-22SV < / = 4 kW
30	Bush seal kit	KL41AA2	Balanced : 10-15-22SV = / > 5,5 kW

* Recommended spare parts - Parti di ricambio consigliate

* Pièces détachées conseillées - Empfohlene Ersatzteile

** Motor spare parts: see motor lists - Parti di ricambio motore: vedi liste motore

** Pièces détachées Moteur : voir listes moteur - Motor-Ersatzteile: gem. Motorlister