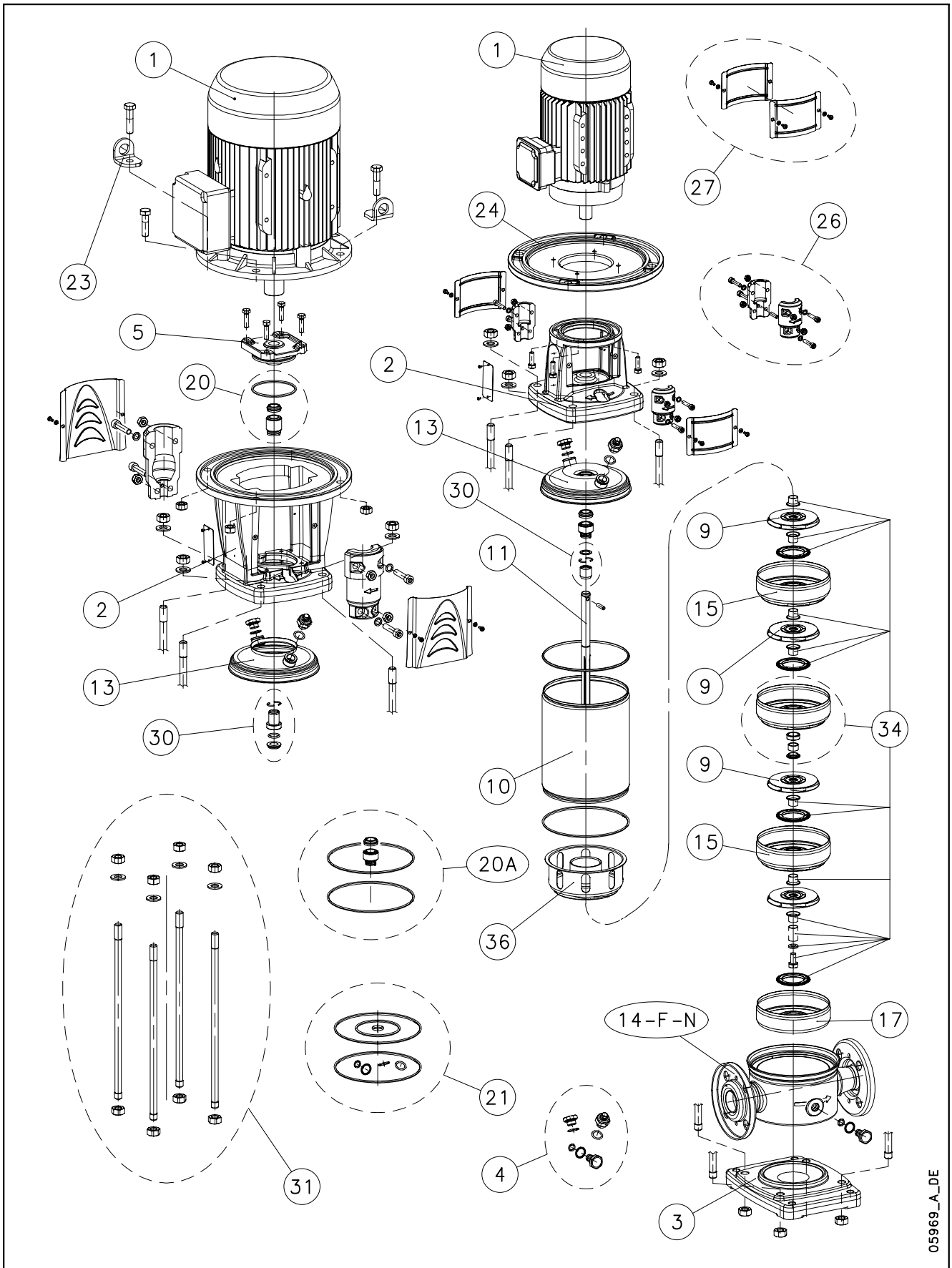


1, 3, 5, 10, 15, 22 SV.H (150°C)



05969_A_DE

Lowara, Vogel Pumpen are trademarks of Xylem Inc. or one of its subsidiaries. Goulds is a registered trademark of Goulds Pumps, Inc. and is used under license.

N.	Descrizione It	Description en	Description fr	Beschreibung de	Descripción es	Descrição pt
	1-22SV..H (150 °C)					
1	Motore	Motor	Moteur	Motor	Motor	Motor
2	Lanterna	Adaptor	Lanterne	Motorlaterne	Adaptador	Adaptador
3	Base	Basement	Base	Untersatz	Base	Base
4	Tappi	Plugs	Bouchons	Stopfen	Tapones	Tampões
5	Portatenuta superiore	Upper holder	Disque supérieure	Oberer dichtungsdeckel	Disco superior	Disco superior
9	Girante	Impeller	Roue	Laufrad	Rodete	Impulsor
10	Camicia	Sleeve	Chemise	Gehäuse	Camisa	Camisa
11	Albero	Shaft	Arbre	Welle	Árbol	Veio
13	Disco porta tenuta	Seal housing disc	Disque de garniture	Dichtungssdeckel	Disco de alojamiento sello	Disco porta-vedante
14	Corpo pompa	Pump body	Corps de pompe	Pumpengehäuse	Caja bomba	Corpo da bomba
15	Diffusore	Diffuser	Diffuseur	Diffusor	Difusor	Difusor
17	Scatola stadio iniziale	Initial stage box	Box premier étage	Erste Stufe Diffusor	Caja etapa inicial	Carcaça primeira célula
20 - 20A	Kit tenuta mecc. + OR	Mechanical seal + OR kit	Kit garniture mec. + joints toriques	Gleitringdichtung + O-Ring [Satz]	Kit sello mec. + junta tórica	Kit vedante mec. + OR
21	Kit guarnizioni OR	O ring kit	Kit joints toriques	Dichtungssatz	Kit juntas tóricas	Kit guarnições OR
23	Staffa sollevamento	Lifting bracket	Support de levage	Hebeösen	Soporte de elevación	Suporte de suspensão
24	Flangia motore	Motor flange	Bride moteur	Motorflansch	Brida motor	Flange motor
26	Kit coppia di semigiunti	Pair of half coupling kit	Kit paire de demi-manchons	Kupplung [Satz]	Kit par de semijuntas	Kit par de semi-juntas
27	Kit protezione giunto	Coupling guard kit	Kit protection manchon	Kupplungsschutz [Satz]	Kit protección junta	Kit protecção junta
30	Kit bussola tenuta	Bush seal kit	Kit douille garniture	Gleitringdichtungsarretierung und mitnehmer	Kit casquillo sello	kit bucha vedante
31	Kit tiranti	Tie rods kit	Kit tirants	Zugstangen [Satz]	Kit tirantes	Kit tirantes
34	Kit parti di usura	Wear parts kit	Kit parties d'usure	Verschleißteile [Satz]	Kit piezas de desgaste	Kit peças desgastáveis
36	Diffusore finale HT	Final diffuser HT	Diffuseur dernier étage HT	Enddiffusor HT	Difusor final HT	Difusor final HT
HT	Alta Temperatura	High Temperature	Haute Température	Hochtemperatur	Altas Temperaturas	Temperatura Elevada
N.	Beschrijving nl	Περιγραφή el	Açıklama tr	Kuvaus fi	Описание ru	Opis pl
	1-22SV..H (150 °C)					
1	Motor	Πλήρης κινητήρας	Motor	Moottori	Двигатель	Silnik
2	Lantaarnstuk	Μπρακέτο	Adaptör	Sovitin	Крестовина	Piasta
3	Pompvoet	Βάση	Kaide	Perusta	Основание	Podstawa
4	Pluggen	Σετ ταπών	Tapalar	Tulpat	Пробки	Zatyczki
5	Bovenste plaat	Ανώτερος Δίσκος	Üst disk	Ylempi levy	Верхний держатель дисков	Tarcza górna
9	Waaier	στροφέιο	Pompa rotoru	Juoksupyöriä	рабочее колесо	Wirnik
10	Mantel	Κέλυφος	Gömlek	Muhvi	Муфта	Plaszcz
11	As	Άξονας	Mil	Akseli	Вал	Wal
13	Dichtingssteunplaat	Δίσκος μηχανικού στυπιοθλίπτη	Sızdırmazlık elemanı disk	Tiivsteen kannatuslevy	Пластина держателя прокладки	Tarcza uszczelki
14	Pomphuis	Σώμα αντλίας	Pompa gövdesi	Pumpun runko	Корпус насоса	Korpus pompy
15	Diffusor	Πτερύγιο εκτροπής	Difüzör	Diffusori	Диффузор	Dyfuzor
17	Kast eerste trap	Πρώτο πτερύγιο εκτροπής	İlk kademe kutusu	Ensivaiheen laatikko	Коробка начальной стадии	Skrzynka początkowego stadium
20-20A	Set mech. asafdichting + O-ring	Μηχανικός στυπιοθλίπτης και ροδέλες στεγανοποίησης	Mekanik salmastra kiti + O-Ring	Mek. tiiviste + O-rengassarja	Комплект мех.прокладки + OR	Zestaw uszcz. mech. + OR
21	Set O-ringafdichtingen	Σετ ροδέλες στεγανοποίησης	O-Ring kiti	O-rengassarja	Комплект кольцевых прокладок OR	Zestaw uszczelki OR
23	Hijs steun	Άρση αγκύλη	Dirsek Kaldırma	Nosto ylätuki	Подъемные кронштейн	Podnoszenia wspornik
24	Motorflens	Μπρακέτο κινητήρα	Motor flanşı	Moottorin laippa	Фланец двигателя	Końierz silnika
26	Set koppelingshelften	Σετ σταθερού συνδέσμου	Çift yarım manşon kiti	Liitinsarja	Комплект пары полумуфт	Zestaw pary półzłączy
27	Set koppelingsbescherming	Καλύμματα προστασίας σταθερού συνδέσμου	Manşon koruma kiti	Liitoksen suojustarja	Комплект защиты муфт	Zestaw ochrony złączy
30	Set afdichtingsbus	Σετ κουζινέτου μηχανικού στυπιοθλίπτη	Sızdırmazlık elemanı burcu kiti	Holkki ja tiiviste	Комплект втулки уплотнения	Zestaw busoli uszczel.
31	Set trekstangen	Σετ ράβδων σύνδεσης	Gergi çubuğu kiti	Vetotankosarja	Комплект тяг	Zestaw napinaczy
34	Set slijtonderdelen	Σετ δακτυλίων τριβής	Aşınma parçaları kiti	Kulumisiosien sarja	Комплект изнашиваемых частей	Zestaw części podl. zużyciu
36	Diffusor laatste trap HT	Τελευταίο πτερύγιο εκτροπής HT	Son difüzör HT	Loppuvaiheen diffusori HT	Конечный диффузор HT	Dyfuzor końcowy HT
HT	Hoge Temperaturen	Υψηλής θερμοκρασίας	Yüksek isi	Korkea lämpötila	Высокая температура	Wysokiej Temperatury

1SV NH 2 Pole (1SVNH/D: motors IE3 fitted)

Production date >June 2012

ELP 2 P										
N Version	1SV02NH003	1SV03NH003	1SV04NH003	1SV05NH003	1SV06NH003	1SV07NH003	1SV08NH005	1SV09NH005	1SV10NH005	1SV11NH005
M ->	1016L183J	1016L184J	1016L185J	1016L186J	1016L187J	1016L188J	1016L189J	1016L190J	1016L191J	1016L192J
T(IE1) ->	1016L001J	1016L002J	1016L003J	1016L004J	1016L005J	1016L006J	1016L007J	1016L008J	1016L009J	1016L010J
	1SV12NH007	1SV13NH007	1SV15NH007	1SV17NH011	1SV19NH011	1SV22NH011	1SV25NH015	1SV27NH015	1SV30NH015	1SV32NH022
M ->	1016L193J	1016L194J	1016L196J	1016L198J	1016L200J	1016L203J	1016L206J	1016L208J	1016L211J	1016L213J
T(IE2) ->	1016L011J	1016L012J	1016L014J	1016L016J	1016L018J	1016L021J	1016L024J	1016L026J	1016L029J	1016L031J
	1016L011J	1016L012J	1016L014J	1016L016J	1016L018J	1016L021J	1016L024J	1016L026J	1016L029J	1016L031J
T(IE3) ->	1016LC11J	1016LC12J	1016LC14J	1016LC16J	1016LC18J	1016LC21J	1016LC24J	1016LC26J	1016LC29J	1016LC31J
	1SV34NH022	1SV37NH022								
M ->	1016L215J	1016L218J								
T(IE2) ->	1016L033J	1016L036J								
	1016LA11J	1016LA14J								
T(IE3) ->	1016LC33J	1016LC36J								

Single Unit and Kit

10	Sleeve A316 PN25	166443042	166443062	166443072	166443082	166443102	166443122	166443142	166443152	166443162	166443182
		166443202	166443222	166443242	166443282	166443312	166443362	166443402	166443442	166443482	166443522
		166443552	166443602								
11	Shaft A316 PN25	165050042B	165050062B	165050072B	165050082B	165050102B	165050122B	165050142B	165050152B	165050162B	165050182B
		165050202B	165050222B	165050242B	165050282B	165050312B	165050362B	165050402B	165050442B	165050482B	165050522B
		165050552B	165050602B								
31	Tie rods SVN kit	KL22ANY	KL22ANZ	KL22AN0	KL22AN1	KL22AN2	KL22ACP	KL22AN4	KL22AN5	KL22AN6	KL22AN7
		KL22ACT	KL22AN9	KL22APB	KL22ACW	KL22AQB	KL22APG	KL22APV	KL22APW	KL22APN	KL22APS
		KL22AQQ	KL22APY								

Motor, Coupling, Motor adaptor

Motor power kW >	0,37	0,37	0,37	0,37	0,37	0,37	0,55	0,55	0,55	0,55
	0,75	0,75	0,75	1,1	1,1	1,1	1,5	1,5	1,5	2,2
	2,2	2,2								

**1	kW >	0,37	0,55	0,75	1,1	1,5	2,2
	Motor 2P, 1 ->	107230020	107230040	107230100	107230120	107230180	50004HD00
	Motor 2P, 3- IE2 since 0,75kW >	107230060	107230080	107230150	107230500	50000RD00	50001RD00
		107230060	107230080	107230150	107230500	107240000	107240500
	Motor 2P, 3- IE3 since 0,75kW >	107230060	107230080	107234000	107234010	107234020	50A01RD00
2	Adaptor	161470700	161470700	161470720	161470720	161470740	161470740
23	Lifting bracket	-	-	-	-	-	-
26	Coupling	KL10ABC	KL10ABC	KL10ABD	KL10ABD	KL10ABE	KL10ABE
27	Coupling guard	KL33AAM	KL33AAM	KL33AAN	KL33AAN	KL33AAP	KL33AAP

Wear Parts kit

up to model (->)	-> 1SV10	-> 1SV20	-> 1SV27	-> 1SV35	-> 1SV38
*34	1 bearing	2 bearing	3 bearing	4 bearing	5 bearing
Wear parts	KL35AEX	KL35AEY	KL35AEZ	KL35AE0	KL35AE1

Mech seal Kit : Seal + sleeve OR

*20A	Materials ->	Q1AEGG	KL01AES	Mech seal std Balanced HT D12 + OR HT
		Q1AVGG	KL01AET	
		Q1Q1VGG	KL01AED	

Common, Single Unit and kit

3	Base	161431310	-> 1-3-5SV
4	Plugs	EPDM HT	KL34AAX
5	Upper holder	-	Kit common with 1-22SV...B
*9	Impeller 1SV A304	150703602	
13	Seal housing disc	150102922	
14	Pump body	151302322	-> 1-3SVN
15	Diffuser	152803112	
17	First stage box	152802912	
*21	OR	EPDM HT	KL02AB5
24	Motor flange	-	
30	Bush seal kit EPDM HT	KL41AA4	
36	Final diffuser HT	152803352	

* Recommended spare parts - Parti di ricambio consigliate

* Pièces détachées conseillées - Empfohlene Ersatzteile

** Motor spare parts: see motor lists - Parti di ricambio motore: vedi liste motore

** Pièces détachées Moteur : voir listes moteur - Motor-Ersatzteile: gem. Motorlisten

1-22SVNH_5_June12_EdB

5SV NH 2 Pole (5SVNH/D: motors IE3 fitted)

ELP 2 P										
N Version	5SV02NH003	5SV03NH005	5SV04NH005	5SV05NH007	5SV06NH011	5SV07NH011	5SV08NH011	5SV09NH015	5SV10NH015	5SV11NH015
M ~>	1016L251J	1016L252J	1016L253J	1016L254J	1016L255J	1016L256J	1016L257J	1016L258J	1016L259J	1016L260J
T(IE1) ~>	1016L079J	1016L080J	1016L081J	1016L082J	1016L083J	1016L084J	1016L085J	1016L086J	1016L087J	1016L088J
	1016L079J	1016L080J	1016L081J	1016L082J	1016L083J	1016L084J	1016L085J	1016LA44J	1016LA45J	1016LA46J
T(IE3) ~>	1016L079J	1016L080J	1016L081J	1016LC82J	1016LC83J	1016LC84J	1016LC85J	1016LC86J	1016LC87J	1016LC88J
	5SV12NH022	5SV13NH022	5SV14NH022	5SV15NH022	5SV16NH022	5SV18NH030	5SV21NH030	5SV23NH040	5SV25NH040	5SV28NH040
M ~>	1016L261J	1016L262J	1016L263J	1016L264J	1016L265J					
T(IE2) ~>	1016L089J	1016L090J	1016L091J	1016L092J	1016L093J	1016L095J	1016L098J	1016L100J	1016L102J	1016L105J
	1016LA47J	1016LA48J	1016LA49J	1016LA50J	1016LA51J	1016LA53J	1016LA56J	1016L100J	1016L102J	1016L105J
T(IE3) ~>	1016LC89J	1016LC90J	1016LC91J	1016LC92J	1016LC93J	1016LC95J	1016LC98J	1016LD00J	1016LD02J	1016LD05J
	5SV30NH055									
M ~>										
T(IE2) ~>	1016L107J									
T(IE3) ~>	1016LD07J									

Single Unit and Kit

10	Sleeve A316 PN25	166443052	166443072	166443082	166443112	166443132	166443152	166443172	166443192	166443212	166443212	
		166443242	166443272	166443292	166443312	166443322	166443372	166443432	166443472	166443512	166443562	
		162503612										
11	Shaft A316 PN25	165050052B	165050072B	165050082B	165050112B	165050132B	165050152B	165050172B	165050192B	165050212B	165050232B	
		165050242B	165050272B	165050292B	165050312B	165050322B	165050372B	165050432B	165050472B	165050512B	165050562B	
		165050612B										
31	Tie rods SVN kit PN25	KL22AP1	KL22AN0	KL22AN1	KL22AP3	KL22AP4	KL22AN5	KL22AP5	KL22AP6	KL22AP7	KL22APA	
		KL22APB	KL22AP9	KL22AQA	KL22AQB	KL22APE	KL22AQM	KL22AQN	KL22APM	KL22AQP	KL22APX	
		KL22AQS										

Motor, Coupling, Motor adaptor

Motor power kW >	0,37	0,55	0,55	0,75	1,1	1,1	1,1	1,5	1,5	1,5
2,2		2,2	2,2	2,2	2,2	3,0	3,0	4,0	4,0	4,0
5,5										

**1	kW >	0,37	0,55	0,75	1,1	1,5	2,2	3,0	4,0	5,5
	Motor 2P, 1 ~>	107230020	107230040	107230100	107230120	107230180	50004HD00			
	Motor 2P,3- IE2 since 0,75kW ~>	107230060	107230080	107230150	107230500	50000RD00	50001RD00	50002RF00	50008VG00	50013VE00
		107230060	107230080	107230150	107230500	107240000	107240500	107241000	50008VG00	50013VE00
	Motor 2P,3- IE3 since 0,75kW ~>	107230060	107230080	107234000	107234010	107234020	50A01RD00	50A02RF00	50A08VL00	50A13VE00
2	Adaptor	161470700	161470700	161470720	161470720	161470740	161470740	161470760	161470760	161470760
23	Lifting bracket	-	-	-	-	-	-	-	-	161441050
26	Coupling	KL10ABC	KL10ABC	KL10ABD	KL10ABD	KL10ABE	KL10ABE	KL10ABF	KL10ABF	KL10ABY
27	Coupling guard	KL33AAM	KL33AAM	KL33AAN	KL33AAN	KL33AAP	KL33AAP	KL33AAQ	KL33AAQ	KL33AAQ

Wear Parts kit

up to model (->)	-> 5SV08	-> 5SV16	-> 5SV22	-> 5SV28	-> 5SV34	
*34	Wear parts	KL35AE2	KL35AE3	KL35AE4	KL35AE5	KL35AE6

Mech seal Kit : Seal + sleeve OR

*20A	Materials ->	Q1AEGG	KL01AES	Mech seal std Balanced HT D12 + OR HT
		Q1AVGG	KL01AET	
		Q1Q1VGG	KL01AED	

3	Base	161431310	-> 1-3-5SV
4	Plugs	EPDM HT KL34AAX	Kit common with 1-22SV...B
5	Upper holder	-	
*9	Impeller 5SV A304	150703622	
13	Seal housing disc	150102922	
14	Pump body	151302402	-> 5SVN
15	Diffuser	152803122	
17	First stage box	152802922	
*21	OR	EPDM HT KL02AB5	
24	Motor flange	161050700	1-3-5SV 5,5 kW
30	Bush seal kit EPDM HT	KL41AA4	
36	Final diffuser HT	152803352	

* Recommended spare parts - Parti di ricambio consigliate

* Pièces détachées conseillées - Empfohlene Ersatzteile

** Motor spare parts: see motor lists - Parti di ricambio motore: vedi liste motore

** Pièces détachées Moteur : voir listes moteur - Motor-Ersatzteile: gem. Motorlisten

1-22SVNH_5_June12_EdB

10SV NH 2 Pole (10SVNH/D: motors IE3 fitted)

ELP 2P											
N Version	M ->	10SV01NH00	10SV02NH00	10SV03NH01	10SV04NH01	10SV05NH02	10SV06NH02	10SV07NH03	10SV08NH03	10SV09NH04	10SV10NH04
	T(IE2) ->	1016L269J	1016L270J	1016L271J	1016L272J	1016L273J	1016L274J				
		1016L115J	1016L116J	1016L117J	1016LA61J	1016L119J	1016L120J	1016LD121J	1016L122J	1016L123J	1016L124J
		1016L115J	1016L116J	1016L117J	1016LA61J	1016LA62J	1016LA63J	1016LA64J	1016LA65J	1016L123J	1016L124J
	T(IE3) ->	1016LD15J	1016LD16J	1016LD17J	1016LD18J	1016LD19J	1016LD20J	1016LD21J	1016LD22J	1016LD23J	1016LD24J
		10SV11NH04	10SV13NH05	10SV15NH05	10SV17NH07	10SV18NH07	10SV20NH075				
	M->										
	T(IE2) ->	1016L125J	1016L127J	1016L129J	1016LD31J	1016LD32J	1016LD34J				
	T(IE3) ->	1016LD25J	1016LD27J	1016LD29J	1016LD31J	1016LD32J	1016LD34J				

Single Unit and Kit

10	Sleeve A316 PN 25	166444022	166444022	166444032	166444042	166444062	166444072	166444082	166444102	166444112	166444122
11	Shaft A316	165051022B	165051022B	165051032B	165051042B	165051062B	165051072B	165051082B	165051102B	165051112B	165051122B
31	Tie rods SVN Kit	165051142B	165051162B	165051192B	165051222B	165051232B	165051262B				
		KL22AQU	KL22AQU	KL22AC4	KL22AQW	KL22AQY	KL22AQZ	KL22AQ0	KL22AQ2	KL22AC9	KL22AQ4
		KL22AQ6	KL22AQ8	KL22ARB	KL22ARE	KL22ARF	KL22ARK				

Motor, Coupling, Motor Adaptor

Motor power kW >	0,75	0,75	1,1	1,5	2,2	2,2	3,0	3,0	4,0	4,0
	4,0	5,5	5,5	7,5	7,5	7,5				

**1	kW ->	0,75	1,1	1,5	2,2	3,0	4,0	5,5	7,5
	Motor 2P, 1 ~>	107230100	107230120	107230180	50004HD00				
	Motor 2P,3~ IE2 since 0,75kW >	107230150	107230500	50000RD00	50001RD00	50002RF00	50008VG00	50013VE00	50A17VB00
		107230150	107230500	107240000	107240500	107241000	50008VG00	50013VE00	50017VB00
	Motor 2P,3~ IE3 since 0,75kW >	107234000	107234010	107234020	50A01RD00	50A02RF00	50A08VL00	50A13VE00	50A17VB00
2	Adaptor	161470800	161470800	161470820	161470820	161470840	161470840	161470860	161470860
23	Lifting bracket	-	-	-	-	-	-	161441050	161441050
26	Coupling	KL10ABG	KL10ABG	KL10ABH	KL10ABH	KL10ABK	KL10ABK	KL10ABZ	KL10ABZ
27	Coupling guard	KL33AAR	KL33AAR	KL33AAS	KL33AAS	KL33AAT	KL33AAT	KL33AAU	KL33AAU

Wear Parts Kit

up to model (->)	->10SV09	->10SV16	->10SV20
*34 Wear parts	1 bearing	2 bearing	3 bearing
	KL35AE7	KL35AE8	KL35AE9

Mechanical seal Kit : Mech seal D16 + OR

*20A	Materials->	Q1AEGG	KL01AEU	Std -> Seal Q1AEGG - sleeve OR EPDM HT / Balanced : 10-15-22SV < / = 4 kW
		Q1AVGG	KL01AEV	
		Q1Q1VGG	KL01AE4	
*20	Materials->	Q1AEGG	KL01AE5	Std -> Seal Q1AEGG - upper holder OR EPDM HT / Balanced : 10-15-22SV = / > 5,5 kW
		Q1AVGG	KL01AE6	
		Q1Q1VGG	KL01AD4	

Common, Single Unit and Kit

3	Base	161431330	-> 10SV
4	Plugs	EPDM HT	KL34AAX
5	Upper holder	-	Up to 4,0 kW included
		160103722	Equal / Over 5,5 kW
		160103742	Part with hole for tap
*9	Impeller10 SV A304	150703632	
13	Seal housing disc	150102942	Up to 4,0 kW included
		150102962	Equal / Over 5,5 kW
14	Pump body	151302452	
15	Diffuser carbon bush	152803132	
17	First stage box	152802932	
*21	OR	EPDM HT	KL02AB6
24	Motor flange	-	
30	Bush seal kit EPDM HT	KL41AA6	
36	Final diffuser	152803362	

* Recommended spare parts - Parti di ricambio consigliate

* Pieces detachées conseillées - Empfohlene Ersatzteile

** Motor spare parts: see motor lists - Parti di ricambio motore: vedi liste motore

** Pièces détachées Moteur : voir listes moteur - Motor-Ersatzteile: gem. Motorlisten

15SV NH 2 Pole (15SVNH/D: motors IE3 fitted)

ELP 2P		5SV01NH011	15SV02NH022	15SV03NH030	15SV04NH040	15SV05NH040	15SV06NH055	15SV07NH055	15SV08NH073	15SV09NH073	15SV10NH11
N Version	M->	1016L278J	1016L279J								
	T(IE2) ->	1016L140J	1016L141J	1016L142J	1016L143J	1016L144J	1016L145J	1016L146J	1016L147J	1016L148J	1016L149J
		1016L140J	1016LA70J	1016LA71J	1016L143J	1016L144J	1016L145J	1016L146J	1016L147J	1016L148J	1016L149J
	T(IE3) ->	1016LD40J	1016LD41J	1016LD42J	1016LD43J	1016LD44J	1016LD45J	1016LD46J	1016LD47J	1016LD48J	1016LD49J
		15SV11NH110	15SV13NH110	15SV15NH150							
	M->										
	T(IE2) ->	1016L150J	1016L152J	1016L154J							
	T(IE3) ->	1016LD50J	1016LD52J	1016LD54J							

Single Unit and Kit

10	Sleeve A316 PN 25	166444032	166444032	166444052	166444072	166444092	166444112	166444132	166444152	166444172	166444192
11	Shaft A316	165051032B	165051032B	165051052B	165051072B	165051092B	165051112B	165051132B	165051152B	165051172B	165051192B
		165051212B	165051252B	165051292B							
31	Tie rods SVN Kit	KL22AC4	KL22AC4	KL22AQX	KL22AQZ	KL22AQ1	KL22AC9	KL22AQ5	KL22AQ7	KL22AQ9	KL22ARB
		KL22ARD	KL22ARH	KL22ARM							

Motor, Coupling, Motor Adaptor

Motor power kW >	1,1	2,2	3,0	4,0	4,0	5,5	5,5	7,5	7,5	11,0
	11,0	11,0	15,0							

**1	kW ->	1,1	2,2	3,0	4,0	5,5	7,5	11,0	15,0
	Motor 2P, 1 ~ >	107230120	50004HD00						
	Motor 2P,3- IE2 since 0,75kW >	50000RD00	50001RD00	50002RF00	50008VG00	50013VE00	50A17VB00	50A19VE00	50A24VB00
		107230500	107240500	107241000	50008VG00	50013VE00	50A17VB00	50A19VE00	50A24VB00
	Motor 2P,3- IE3 since 0,75kW >	107234010	50A01RD00	50A02RF00	50A08VL00	50A13VE00	50A17VB00	50A19VE00	50A24VB00
2	Adaptor	161470800	161470820	161470840	161470840	161470860	161470860	161470880	161470880
23	Lifting bracket	-	-	-	-	161441050	161441050	161441060	161441060
26	Coupling	KL10ABG	KL10ABH	KL10ABK	KL10ABK	KL10ABZ	KL10ABZ	KL10AB0	KL10AB0
27	Coupling guard	KL33AAR	KL33AAS	KL33AAT	KL33AAT	KL33AAU	KL33AAU	KL33AAU	KL33AAU

Wear Parts Kit

	->15SV06	->15SV11	->15SV15
up to model (- >)	1 bearing	2 bearing	3 bearing
*34 Wear parts	KL35AFA	KL35AFB	KL35AFC

Mechanical seal Kit : Mech seal D16 + OR

*20A	Materials->	Q1AEGG	KL01AEU	Std -> Seal Q1AEGG - sleeve OR EPDM HT / Balanced : 10-15-22SV < / = 4 kW
		Q1AVGG	KL01AEV	
		Q1Q1VGG	KL01AE4	
*20	Materials->	Q1AEGG	KL01AE5	Std -> Seal Q1AEGG - upper holder OR EPDM HT / Balanced : 10-15-22SV = / > 5,5 kW
		Q1AVGG	KL01AE6	
		Q1Q1VGG	KL01AD4	

Common, Single Unit and Kit

3	Base	161431350	-> 15-22SV
4	Plugs	EPDM HT	KL34AAX
5	Upper holder	-	Up to 4,0 kW included
		160103722	Over 5,5 kW
		160103742	Part with hole for tap
*9	Impeller 15SV A316	150703642	
13	Seal housing disc	150102942	Up to 4,0 kW included
		150102962	Over 5,5 kW
14	Pump body	151302602	-> 15SVN DN40
15	Diffuser	152803152	
17	First stage box	152802952	
*21	OR	EPDM HT	KL02AB6
24	Motor flange	-	
30	Bush seal kit EPDM HT	KL41AA6	
36	Final diffuser	152803372	

* Recommended spare parts - Parti di ricambio consigliate

* Pièces détachées conseillées - Empfohlene Ersatzteile

** Motor spare parts: see motor lists - Parti di ricambio motore: vedi liste motore

** Pièces détachées Moteur : voir listes moteur - Motor-Ersatzteile: gem. Motorlisten

22SV NH 2 Pole (22SVNH/D: motors IE3 fitted)

ELP 2P		22SV01NH01	22SV02NH02	22SV03NH03	22SV04NH04	22SV05NH05	22SV06NH07	22SV07NH07	22SV08NH11	22SV09NH11	22SV10NH11
N Version	M->	1016L283J	1016L284J								
	T(IE2) ->	1016L161J	1016L162J	1016L163J	1016L164J	1016L165J	1016LD66J	1016LD67J	1016LD68J	1016LD69J	1016LD70J
	T(IE3) ->	1016L161J	1016LA76J	1016LA77J	1016L164J	1016L165J	1016LD66J	1016LD67J	1016LD68J	1016LD69J	1016LD70J
		1016LD61J	1016LD62J	1016LD63J	1016LD64J	1016LD65J	1016LD66J	1016LD67J	1016LD68J	1016LD69J	1016LD70J
		22SV12NH15	22SV14NH15	22SV17NH18							
	M->										
	T(IE2) ->	1016L172J	1016L174J	1016L177J							
	T(IE3) ->	1016LD72J	1016LD74J	1016LD77J							

Single Unit and Kit

10	Sleeve A316 PN 25	166444032	166444032	166444052	166444072	166444092	166444112	166444132	166444152	166444172	166444192
		166444232	166444272	166444332							
11	Shaft A316	165051032B	165051032B	165051052B	165051072B	165051092B	165051122B	165051132B	165051152B	165051172B	165051192B
		165051232B	165051272B	165051332B							
31	Tie rods SVN Kit	KL22AC4	KL22AC4	KL22AQX	KL22AQZ	KL22AQ1	KL22AC9	KL22AQ5	KL22AQ7	KL22AQ9	KL22ARB
		KL22ARF	KL22ARL	KL22ARP							

Motor, Coupling, Motor Adaptor

Motor power kW >	1,1	2,2	3,0	4,0	5,5	7,5	7,5	11,0	11,0	11,0
	15,0	15,0								

**1	kW ->	1,1	2,2	3,0	4,0	5,5	7,5	11,0	15,0	18,5
	Motor 2P, 1 ~>	107230120	50004HD00							
	Motor 2P,3~ IE2 since 0,75kW >	107230500	50001RD00	50002RF00	50008VG00	50013VE00	50A17VB00	50A19VE00	50A24VB00	50A25VB00
		107230500	107240500	107241000	50008VG00	50013VE00	50017VB00	50019VE00	50024VB00	50025VB00
	Motor 2P,3~ IE3 since 0,75kW >	107234010	50A01RD00	50A02RF00	50A08VL00	50A13VE00	50A17VB00	50A19VE00	50A24VB00	50A25VB00
2	Adaptor	161470800	161470820	161470840	161470840	161470860	161470860	161470880	161470880	161470880
23	Lifting bracket	-	-	-	-	161441050	161441050	161441060	161441060	161441060
26	Coupling	KL10ABG	KL10ABH	KL10ABK	KL10ABK	KL10ABZ	KL10ABZ	KL10AB0	KL10AB0	KL10AB0
27	Coupling guard	KL33AAR	KL33AAS	KL33AAT	KL33AAU	KL33AAU	KL33AAU	KL33AAU	KL33AAU	KL33AAU

Wear Parts Kit

	->22SV06	->22SV11	->22SV14
up to model (->)	1 bearing	2 bearing	3 bearing
*34 Wear parts	KL35AFA	KL35AFB	KL35AFC

Mechanical seal Kit : Mech seal D16 + OR

*20A	Materials->	Q1AEGG	KL01AEU	Std -> Seal Q1AEGG - sleeve OR EPDM HT / Balanced : 10-15-22SV < / = 4 kW
		Q1AVGG	KL01AEV	
		Q1Q1VGG	KL01AE4	
*20	Materials->	Q1AEGG	KL01AE5	Std -> Seal Q1AEGG - upper holder OR EPDM HT / Balanced : 10-15-22SV = / > 5,5 kW
		Q1AVGG	KL01AE6	
		Q1Q1VGG	KL01AD4	

Common, Single Unit and Kit

3	Base	161431350	-> 15-22SV
4	Plugs	EPDM HT KL34AAX	
5	Upper holder	-	Up to 4,0 kW included
		160103722	Equal / Over 5,5 kW
		160103742	Part with hole for tap
*9	Impeller 22SV A316	150703652	
13	Seal housing disc	150102942	Up to 4,0 kW included
		150102962	Equal / Over 5,5 kW
14	Pump body	151302602	-> 22SVN DN40
15	Diffuser	152803152	
17	First stage box	152802952	
*21	OR	EPDM HT KL02AB6	
24	Motor flange	-	
30	Bush seal kit EPDM HT	KL41AA6	
36	Final diffuser	152803372	

* Recommended spare parts - Parti di ricambio consigliate

* Pièces détachées conseillées - Empfohlene Ersatzteile

** Motor spare parts: see motor lists - Parti di ricambio motore: vedi liste motore

** Pièces détachées Moteur : voir listes moteur - Motor-Ersatzteile: gem. Motorlisten

1-22SVNH_5_June12_EdB