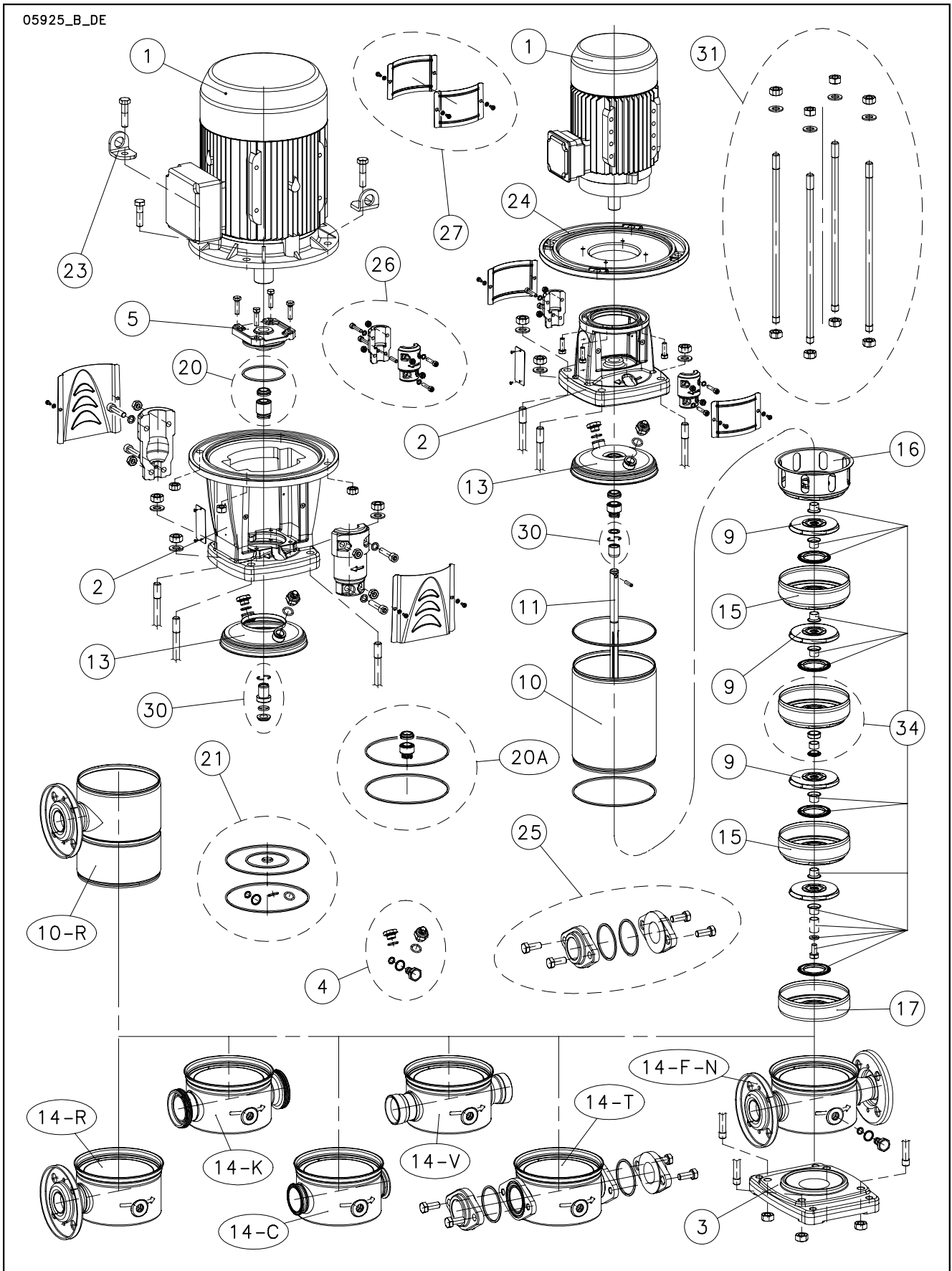


1, 3, 5, 10, 15, 22SV



Lowara and Vogel Pumpen are a trademark of Xylem Inc. or one of its subsidiaries. Goulds is a registered trademark of Goulds Pumps, Inc. and is used under license.

N.	Descrizione it	Description en	Description fr	Beschreibung de	Descripción es	Descrição pt
1	Motore	Motor	Moteur	Motor	Motor	Motor
2	Lanterna	Adaptor	Lanterne	Motorlampe	Adaptador	Adaptador
3	Base	Basement	Base	Untersatz	Base	Base
4	Tappi	Plugs	Bouchons	Stopfen	Tapones	Tapões
5	Portatenuta superiore	Upper holder	Disque supérieure	Oberer dichtungsdeckel	Disco superior	Disco superior
9	Giante	Impeller	Roue	Laufrad	Rodete	Impulsor
10	Camida	Sleeve	Chemise	Gehäuse	Camisa	Camisa
11	Albero	Shaft	Arbre	Welle	Árbol	Veio
13	Disco porta tenuta	Seal housing disc	Disque de garniture	Dichtungsdeckel	Disco de alojamiento sello	Disco porta-vedante
14	Corpo pompa	Pump body	Corps de pompe	Pumpengehäuse	Caja bomba	Corpo da bomba
15	Diffusore	Diffuser	Diffuseur	Diffusor	Diffusor	Diffusor
16	Diffusore finale	Last stage diffuser	Diffuseur dernier étage	Enddiffusor	Diffusor final	Diffusor final
17	Scatola stadio iniziale	Initial stage box	Box premier étage	Erste Stufe Diffusor	Caja etapa initial	Carcaça primeira célula
20	Kit tenuta mecc. + OR	Mechanical seal + OR kit	Kit garniture mec. + joints toriques	Gletringdichtung + O-Ring [Satz]	Kit sello mec. + junta tórica	Kit vedante mec. + OR
21	Kit guarnizioni OR	O ring kit	Kit joints toriques	Dichtungssatz	Kit juntas tóricas	Kit guarnições OR
23	Staffa sollevamento	Lifting bracket	Support de levage	Hebeösen	Soporte de elevación	Soporte de suspensão
24	Flangia motore	Motor flange	Bride moteur	Motorflansch	Brida motor	Flange motor
25	Kit contraflangia ovale	O val counterflange kit	Kit contrebride ovale	Gegenflansch oval [Satz]	Kit contrabrida oval	Kit contraflange oval
26	Kit coppia di semigiunti	Pair of half coupling kit	Kit paire de demi-manchons	Kupplung [Satz]	Kit par de semijuntas	Kit par de semi-juntas
27	Kit protezione giunto	Coupling guard kit	Kit protection manchon	Kupplungsschutz [Satz]	Kit protección junta	Kit protecção junta
30	Kit bussola tenuta	Bush seal kit	Kit douille garniture	Gletringdichtungsreiterung und mitnehmer	Kit casquillo sello	kit bucha vedante
31	Kit tiranti	Tie rods kit	Kit tirants	Zugstangen [Satz]	Kit tirantes	Kit tirantes
34	Kit parti di usura	Wear parts kit	Kit parties d'usure	Verschleißteile [Satz]	Kit piezas de desgaste	Kit peças desgastáveis
N.	Beschrijving nl	Περιγραφή el	Açıklama tr	Kuvaus fi	Описание ru	Opis pl
1	Motor	Πλήρης κινητήρας	Motor	Moottori	Двигатель	Silnik
2	Lantaarnstuk	Μπαράκιτο	Adaptör	Sovitin	Крестовина	Plasta
3	Pompoet	Βάση	Kaide	Perusta	Основание	Podstawa
4	Pluggen	Σετ ταπών	Tapalar	Tulpat	Пробки	Zatyczki
5	Bovenste plaat	Ανώτερος Δίσκος	Üst disk	Ylempi levy	Верхний держатель дисков	Tarcza górna
9	Waaier	στροφέο	Pompa rotoru	Juoksupyörä	рабочее колесо	Wirnik
10	Mantel	Κάλυψος	Gömlük	Muhvi	Муфта	Piaszcz
11	As	Άξονας	Mill	Akseli	Вал	Wał
13	Dichtingssteunplaat	Δίσκος μηχανικού στυλοθήλιτη	Sızdırmazlık elemanı disk	Tiivisteen kamatuslevy	Пластина держателя прокладки	Tarcza uszczelki
14	Pomphuis	Σώμα αντλίας	Pompa gövdesi	Pumpun runko	Корпус насоса	Korpus pompy
15	Diffusor	Περίθωο εκτροπής	Diffüzör	Diffusori	Диффузор	Dyfuzyor
16	Diffusor laatste trap	Τελευταίο περίθωο εκτροπής	Son diffüzör	Loppuvaiheen diffuusori	Конечный диффузор	Dyfuzyor końcowy
17	Kaast eerste trap	Πρώτο περίθωο εκτροπής	İlk kademe kutusu	Ensivaiheen laatikko	Коробка начальной стадии	Skryznka początkowego stadium
20	Set mech. asafidchtig + O-ring	Μηχανικός στυλοθήλιτης και ροδέας στεγανοποίησης	Mekanik salmastra kiti + O-Ring	Mek. tiiviste + O-rengassarja	Комплект мех. прокладки + OR	Zestaw uszcz. mech. + OR
21	Set O-ringafdichtingen	Σετ ροδέας στεγανοποίησης	O-Ring kiti	O-rengassarja	Комплект кольцевых прокладок OR	Zestaw uszczeliek OR
23	Hjls steun	Άρη ανάλη	Dirsek kaldırma	Nosto ylätuki	Подъемные кронштейн	Podnoszenia wspornik
24	Motorflans	Μπαράκιτο κινητήρα	Motor flansı	Moottorin laippa	Фланец двигателя	Kolnierz silnika
25	Set ovale fiensen	Σετ οβάλ φλάντζα	Oval flanç kiti	Sokkeiden vastalajppojen sarja	Комплек Овальный фланец	Zestaw Kolnierz owalnych
26	Set koppelingshelften	Σετ σταθερού συνδέσμου	Çift yarım manşon kiti	Liitinsarja	Комплект пары полушфрт	Zestaw paru półzłączy
27	Set koppelingsbescherming	Καλύμματα προστασίας σταθερού συνδέσμου	Manşon koruma kiti	Litoksen suojaussarja	Комплект защиты шфрт	Zestaw ochronny złącza
30	Set afdichtingsbus	Σετ κοιλνέιου μηχανικού στυλοθήλιτη	Sızdırmazlık elemanı burcu kiti	Holkki ja tiiviste	Комплек втулки уплотнения	Zestaw busoli uszczel.
31	Set trekstangen	Σετ τρεκστάνγ	Gergi cubuğu kiti	Vetotankosarja	Комплек тяг	Zestaw napinaczy
34	Set slijtonderdelen	Σετ δακτυλίων-τριβής	Aşınma parçaları kiti	Kulumisiosien sarja	Комплек изнашиваемых частей	Zestaw części podl. zużyciu

1SVFL 2 Pole

Production date > June 2012

ELP 2 P		1SV03FL003	1SV04FL003	1SV05FL003	1SV06FL003	1SV07FL003	1SV08FL005	1SV09FL005	1SV10FL005	1SV11FL005	1SV12FL007
F Version	M ~>	1016L184F	1016L185F	1016L186F	1016L187F	1016L188F	1016L189F	1016L190F	1016L191F	1016L192F	1016L193F
	T ~>	1016L002F	1016L003F	1016L004F	1016L005F	1016L006F	1016L007F	1016L008F	1016L009F	1016L010F	1016L011F
		1SV13FL007	1SV15FL007	1SV17FL011	1SV19FL011	1SV22FL011	1SV25FL015	1SV27FL015	1SV30FL015	1SV32FL022	1SV34FL022
	M ~>	1016L194F	1016L196F	1016L198F	1016L200F	1016L203F	1016L206F	1016L208F	1016L211F	1016L213F	1016L215F
	T ~>	1016LC12F	1016LC14F	1016LC16F	1016LC18F	1016LC21F	1016LC24F	1016L011F	1016L021F	1016L031F	1016L033F
		1SV37FL022									
	M ~>	1016L218F									
	T ~>	1016L036F									

Single Unit and Kit

10	Sleeve F-T	166443040 166443200 166443580	166443060 166443230	166443070 166443260	166443080 166443300	166443100 166443340	166443120 166443390	166443140 166443420	166443150 166443470	166443160 166443500	166443180 166443540
11	Shaft A304	165050040 165050200 165050600	165050060 165050230	165050070 165050260	165050080 165050300	165050100 165050340	165050120 165050390	165050140 165050420	165050150 165050480	165050160 165050520	165050180 165050550
31	Tie rods SVF kit	KL22AK5 KL22ABT KL22ALZ	KL22AK6 KL22ALH	KL22AK7 KL22ALL	KL22AK8 KL22ALM	KL22AK9 KL22ALP	KL22ABP KL22ALR	KL22ALB KL22ALS	KL22ALC KL22ALU	KL22ALD KL22ALW	KL22ALE KL22ALY

Motor, Coupling, Motor adaptor

Motor power kW >	0,37	0,37	0,37	0,37	0,37	0,55	0,55	0,55	0,55	0,75
	0,75	0,75	1,1	1,1	1,1	1,5	1,5	1,5	2,2	2,2
	2,2									

**1	kW >	0,37	0,55	0,75	1,1	1,5	2,2
	Motor 2P, 1 ~>	107230020	107230040	107230100	107230120	107230180	50004HD00
	Motor 2P, 3 ~>	107230060	107230080	107234000	107234010	107234020	50001RD00
23	Lifting bracket	-	-	-	-	-	-
2	Adaptor	161470700	161470700	161470720	161470720	161470740	161470740
23	Lifting bracket	-	-	-	-	-	-
26	Coupling	KL10ABC	KL10ABC	KL10ABD	KL10ABD	KL10ABE	KL10ABE
27	Coupling guard	KL33AAM	KL33AAM	KL33AAN	KL33AAN	KL33AAP	KL33AAP

Wear Parts kit

	-> 1SV10	-> 1SV20	-> 1SV27	-> 1SV35	-> 1SV38
up to model (->)	1 bearing	2 bearing	3 bearing	4 bearing	5 bearing
*34 Wear parts	KL35AEE	KL35AEF	KL35AEG	KL35AEH	KL35AEK

Mechanical seal Kit : Mech seal D12 + sleeve OR

*20A	Materials ->	Q1BEGG	KL01AAD	Std -> Seal Q1BEGG - OR EPDM
		Q1Q1EGG	KL01AC7	
		Q1BVGG	KL01AAG	
		Q1Q1VGG	KL01AC9	
		Q1CTGG	KL01ADB	
		Q1Q1TGG	KL01ADD	

Common, Single Unit and kit

3	Base	161431310	-> 1-3-5SVF
4	Plugs	EPDM	KL34AAT
		FPM	KL34AAL
		FEP	KL34AAM
5	Upper holder	-	
*9	Impeller 1SV A304	150703600	
	First impeller 3SV A316	150703612	
13	Seal housing disc	150102920	
14	Pump body	151302320	-> 1-3SVF
15	Diffuser	152803110	
16	Last stage diffuser	152803010	
17	First stage box	152802910	
*21	OR	EPDM	KL02AA1
		FPM	KL02AA2
		FEP	KL02AA3
24	Motor flange	-	
25	Kit oval flange OR EPDM	-	
	Kit oval flange OR FPM	-	
30	Impellers retainer	KL41AAX	

* Recommended spare parts - Parti di ricambio consigliate

* Pièces détachées conseillées - Empfohlene Ersatzteile

** Motor spare parts: see motor lists - Parti di ricambio motore: vedi liste motore

** Pièces détachées Moteur : voir listes moteur - Motor-Ersatzteile: gem. Motorlisten

1-22SVFL_5_June12_EdA

3SVFL 2 Pole

Production date > June 2012

ELP 2 P		3SV03FL003	3SV04FL003	3SV05FL005	3SV06FL005	3SV07FL007	3SV08FL007	3SV09FL011	3SV10FL011	3SV11FL011	3SV12FL011
F Version	M ~ >	1016L224F	1016L225F	1016L226F	1016L227F	1016L228F	1016L229F	1016L230F	1016L231F	1016L232F	1016L233F
	T ~ >	1016L043F	1016L044F	1016L045F	1016L046F	1016L047F	1016L048F	1016L049F	1016L050F	1016L051F	1016L052F
M ~ >		1016L234F	1016L235F	1016L237F	1016L240F	1016L242F	1016L244F	1016L246F			
	T ~ >	1016LC53F	1016LC54F	1016LC56F	1016L059F	1016L061F	1016L063F	1016L065F	1016L067F	1016L069F	1016L071F
M ~ >		3SV33FL030									
T ~ >		1016L073F									

Single Unit and Kit

10	Sleeve F-T	166443040	166443060	166443070	166443080	166443100	166443120	166443140	166443150	166443160	166443180
		166443200	166443220	166443240	166443300	166443320	166443360	166443390	166443420	166443460	166443480
		166443520									
11	Shaft A304	165050040	165050060	165050070	165050080	165050100	165050120	165050140	165050150	165050160	165050180
		165050200	165050220	165050240	165050300	165050320	165050360	165050390	165050420	165050470	165050500
		165050540									
31	Tie rods SVF kit	KL22AK5	KL22AK6	KL22AK7	KL22AK8	KL22AK9	KL22ABP	KL22ALB	KL22ALC	KL22ALD	KL22ALE
		KL22ABT	KL22ALG	KL22ALK	KL22ALM	KL22ALN	KL22ALQ	KL22ALR	KL22ALS	KL22ALT	KL22ALV
		KL22ALX									

Motor, Coupling, Motor adaptor

Motor power kW >	0,37	0,37	0,55	0,55	0,75	0,75	1,1	1,1	1,1	1,1
	1,5	1,5	1,5	2,2	2,2	2,2	2,2	3,0	3,0	3,0
	3,0									

**1	kW >	0,37	0,55	0,75	1,1	1,5	2,2	3,0
	Motor 2P, 1 ~ >	107230020	107230040	107230100	107230120	107230180	50004HD00	
	Motor 2P, 3 ~ >	107230060	107230080	107234000	107234010	107234020	50001RD00	50002RF00
2	Adaptor	161470700	161470700	161470720	161470720	161470740	161470740	161470760
23	Lifting bracket	-	-	-	-	-	-	-
26	Coupling	KL10ABC	KL10ABC	KL10ABD	KL10ABD	KL10ABE	KL10ABE	KL10ABF
27	Coupling guard	KL33AAM	KL33AAM	KL33AAN	KL33AAN	KL33AAP	KL33AAP	KL33AAQ

Wear Parts kit

	- > 3SV10	- > 3SV20	- > 3SV27	- > 3SV35
up to model (- >)	1 bearing	2 bearing	3 bearing	4 bearing
*34 Wear parts	KL35AEE	KL35AEF	KL35AEG	KL35AEH

Mechanical seal Kit : Mech seal D12 + sleeve OR

*20A	Materials ->	Q1BEGG	KL01AAD	Std -> Seal Q1BEGG - OR EPDM
		Q1Q1EGG	KL01AC7	
		Q1BVGG	KL01AAG	
		Q1Q1VGG	KL01AC9	
		Q1CTGG	KL01ADB	
		Q1Q1TGG	KL01ADD	

Common, Single Unit and kit

3	Base	161431310	-> 1-3-5SVF-R
4	Plugs	EPDM FPM FEP	KL34AAT KL34AAL KL34AAM
5	Upper holder	-	
*9	Impeller 3SV A304	150703610	
	First impeller 5SV A316	150703622	
13	Seal housing disc	150102920	
14	Pump body	151302320	
15	Diffuser	152803110	
16	Last stage diffuser	152803010	
17	First stage box	152803302	Low NPSH stage
*21	OR	EPDM FPM FEP	KL02AA1 KL02AA2 KL02AA3
24	Motor flange	-	
25	Kit oval flange OR EPDM	-	
	Kit oval flange OR FPM	-	
30	Impellers retainer	KL41AAX	

* Recommended spare parts - Parti di ricambio consigliate

* Pièces détachées conseillées - Empfohlene Ersatzteile

** Motor spare parts: see motor lists - Parti di ricambio motore: vedi liste motore

** Pièces détachées Moteur : voir listes moteur - Motor-Ersatzteile: gem. Motorlisten

5SVFL 2 Pole

ELP 2 P		5SV03FL007	5SV04FL007	5SV05FL007	5SV06FL011	5SV07FL011	5SV08FL011	5SV09FL015	5SV10FL015	5SV11FL015	5SV12FL022
F Version	M ~>	1016L252F	1016L253F	1016L254F	1016L255F	1016L256F	1016L257F	1016L258F	1016L259F	1016L260F	1016L261F
	T ~>	1016LC80F	1016LC81F	1016LC82F	1016LC83F	1016LC84F	1016LC85F	1016LC86F	1016LC87F	1016LC88F	1016L089F
M ~>	M ~>	5SV13FL022	5SV14FL022	5SV15FL022	5SV16FL022	5SV18FL030	5SV21FL030	5SV23FL040	5SV25FL040	5SV28FL040	5SV30FL055
	T ~>	1016L262F	1016L263F	1016L264F	1016L265F						
M ~>	M ~>	1016L090F	1016L091F	1016L092F	1016L093F	1016L095F	1016L098F	1016L100F	1016L102F	1016L105F	1016L107F
	T ~>	5SV33FL055									
	M ~>										
	T ~>	1016L110F									

Single Unit and Kit

10	Sleeve F-T	166443050	166443070	166443090	166443110	166443130	166443150	166443170	166443190	166443210	166443230	
		166443250	166443270	166443290	166443310	166443350	166443410	166443450	166443490	166443550	166443590	
		166443650										
11	Shaft A304	165050050	165050070	165050090	165050110	165050130	165050150	165050170	165050190	165050210	165050230	
		165050250	165050270	165050290	165050310	165050350	165050410	165050450	165050490	165050550	165050590	
		165050650										
31	Tie rods SVF kit	KL22AL8	KL22AK7	KL22AL9	KL22AMA	KL22AMB	KL22ALC	KL22AMC	KL22AMD	KL22AME	KL22ALH	
		KL22AMF	KL22AMG	KL22AMH	KL22AMK	KL22AML	KL22AMM	KL22AMN	KL22AMP	KL22AMQ	KL22AMR	
		KL22AMS										

Motor, Coupling, Motor adaptor

Motor power kW >	0,75	0,75	0,75	1,1	1,1	1,5	1,5	1,5	2,2	2,2
	2,2	2,2	2,2	3,0	3,0	4,0	4,0	4,0	5,5	
	5,5									

**1	kW >	0,75	1,1	1,5	2,2	3,0	4,0	5,5
	Motor 2P, 1 ~>	107230100	107230120	107230180	50004HD00			
	Motor 2P, 3 ~>	107234000	107234010	107234020	50001RD00	50002RF00	50008VG00	50013VE00
2	Adaptor	161470720	161470720	161470740	161470740	161470760	161470760	161470760
23	Lifting bracket	-	-	-	-	-	-	161441050
26	Coupling	KL10ABD	KL10ABD	KL10ABE	KL10ABE	KL10ABF	KL10ABF	KL10ABY
27	Coupling guard	KL33AAN	KL33AAN	KL33AAP	KL33AAP	KL33AAQ	KL33AAQ	KL33AAQ

Wear Parts kit

	-> 5SV08	-> 5SV16	-> 5SV22	-> 5SV28	-> 5SV34	
up to model (->)	1 bearing	2 bearing	3 bearing	4 bearing	5 bearing	
*34 Wear parts	KL35AEL	KL35AEM	KL35AEN	KL35AEP	KL35AEQ	
First spacer 5SV A316	162503912	162503912	162503912	162503912	162503912	Low NPSH spacer

Mechanical seal Kit : Mech seal D12 + sleeve OR

*20A	Materials ->	Q1BEGG	KL01AAD	Std -> Seal Q1BEGG - OR EPDM
		Q1Q1EGG	KL01AC7	
		Q1BVGG	KL01AAG	
		Q1Q1VGG	KL01AC9	
		Q1CTGG	KL01ADB	
		Q1Q1TGG	KL01ADD	

Common, Single Unit and kit

3	Base	161431310	-> 1-3-5SVF-R
4	Plugs	EPDM	KL34AAT
		FPM	KL34AAL
		FEP	KL34AAM
5	Upper holder	-	
*9	Impeller 5SV A304	150703620	
	First impeller 5SV A316	150703712	Low NPSH impeller
13	Seal housing disc	150102920	
14	Pump body	151302400	-> 5SVF
15	Diffuser	152803120	
16	Last stage diffuser	152803020	
17	First stage box	152803312	Low NPSH stage
*21	OR	EPDM	KL02AA1
		FPM	KL02AA2
		FEP	KL02AA3
24	Motor flange	161050700	1-3-5SV 5,5 kW
25	Kit oval flange OR EPDM	-	
	Kit oval flange OR FPM	-	
30	Impellers retainer	KL41AAX	

* Recommended spare parts - Parti di ricambio consigliate

* Pièces détachées conseillées - Empfohlene Ersatzteile

** Motor spare parts: see motor lists - Parti di ricambio motore: vedi liste motore

** Pièces détachées Moteur : voir listes moteur - Motor-Ersatzteile: gem. Motorlisten

10SVFL 2 Pole

ELP 2P		10SV03FL015	10SV04FL022	10SV05FL022	10SV06FL030	10SV07FL030	10SV08FL030	10SV09FL040	10SV10FL040	10SV11FL055	10SV13FL055
F Version	M->	1016L271F	1016L272F	1016L273F	1016L274F						
	T->	1016LD17F	1016LD18F	1016L119F	1016L120F	1016LD121F	1016L122F	1016L123F	1016L124F	1016L125F	1016L127F
		10SV15FL055	10SV17FL075	10SV18FL075	10SV20FL075	10SV21FL110					
	M->										
	T->	1016L129F	1016L131F	1016L132F	1016L134F	1016L135F					

Single Unit and Kit

10	Sleeve F-T	166444030	166444040	166444060	166444070	166444080	166444100	166444110	166444120	166444140	166444160
		166444190	166444220	166444230	166444260	166444270					
11	Shaft A304	165051030	165051040	165051060	165051070	165051080	165051100	165051110	165051120	165051140	165051160B
		165051190B	165051220B	165051230B	165051260B	165051270B					
31	Tie rods SVF Kit	KL22AB4	KL22AM4	KL22AM6	KL22AM7	KL22AM8	KL22ANA	KL22AB9	KL22ANC	KL22ANE	KL22ANG
		KL22ANL	KL22ANP	KL22ANQ	KL22ANT	KL22ANU					

Motor, Coupling, Motor Adaptor

Motor power kW >	1,5	2,2	2,2	3,0	3,0	3,0	4,0	4,0	5,5	5,5
	5,5	7,5	7,5	7,5	11,0					

**1	kW ->	1,5	2,2	3,0	4,0	5,5	7,5	11,0
	Motor 2 P, 1 ->	107230180	50004HD00					
	Motor 2 P, 3 ->	107234020	50001RD00	50002RF00	50008VG00	50013VE00	50017VB00	50019VE00
2	Adaptor	161470820	161470820	161470840	161470840	161470860	161470860	161470880
23	Lifting bracket	-	-	-	-	161441050	161441050	161441060
26	Coupling	KL10ABH	KL10ABH	KL10ABK	KL10ABK	KL10ABZ	KL10ABZ	KL10AB0
27	Coupling guard	KL33AAS	KL33AAS	KL33AAT	KL33AAT	KL33AAU	KL33AAU	KL33AAU

Wear Parts Kit

	->10SV09	->10SV16	->10SV21	
up to model (->)	1 bearing	2 bearing	3 bearing	
*34 Wear parts	KL35AER	KL35AES	KL35AET	
First spacer 10SV A316	162503922	162503922	162503922	Low NPSH spacer
Impeller spacer 10SV A316	162503952	162503952	162503952	Low NPSH spacer

Mechanical seal Kit : Mech seal D16 + OR

*20A	Materials->	Q1BEGG	KL01AAE	Std -> Seal Q1BEGG - sleeve OR EPDM / Unbalanced : 10-15-22SV < / = 4 kW
		Q1Q1EGG	KL01AC8	
		Q1BVGG	KL01AAH	
		Q1Q1VGG	KL01ADA	
		Q1CTGG	KL01ADC	
		Q1Q1TGG	KL01ADE	
*20	Materials->	Q1BEGG	KL01AD7	Std -> Seal Q1BEGG - upper holder OR EPDM / Balanced : 10-15-22SV = / > 5,5 kW
		Q1Q1EGG	KL01AD3	
		Q1BVGG	KL01AD2	
		Q1Q1VGG	KL01AD4	
		Q1CTGG	KL01AD9	
		Q1Q1TGG	KL01AEA	

Common, Single Unit and Kit

3	Base	161431330	-> 10SV
4	Plugs	EPDM	KL34AAT
		FPM	KL34AAL
		FEP	KL34AAM
5	Upper holder	-	Up to 4,0 kW included
		160103710	Over 5,5 kW
		160103730	Part with hole for tap
*9	Impeller10 SV A304	150703630	
	First impeller 15SV A316	150703642	
13	Seal housing disc	150102940	Up to 4,0 kW included
		150102960	Over 5,5 kW
14	Pump body	151302450	
15	Diffuser	152803130	
16	Last stage diffuser	152803030	
17	First stage box	152803322	Low NPSH stage
*21	OR	EPDM	KL02AA4
		FPM	KL02AA5
		FEP	KL02AA6
24	Motor flange	-	
25	Kit oval flange OR EPDM	-	
	Kit oval flange OR FPM	-	
30	Impellers retainer	KL41AAY	Unbalanced : 10-15-22SV < / = 4 kW
30	Bush seal kit	KL41AA1	Balanced : 10-15-22SV = / > 5,5 kW

* Recommended spare parts - Parti di ricambio consigliate

* Pièces détachées conseillées - Empfohlene Ersatzteile

** Motor spare parts: see motor lists - Parti di ricambio motore: vedi liste motore

** Pièces détachées Moteur : voir listes moteur - Motor-Ersatzteile: gem. Motorlisten

Production date > June 2012

15SVFL 2 Pole

ELP 2P		15SV02FL030	15SV03FL040	15SV04FL040	15SV05FL055	15SV06FL055	15SV07FL075	15SV08FL075	15SV09FL110	15SV10FL110	15SV11FL110
F Version	M~>										
	T~>	1016L141F	1016L142F	1016L143F	1016L144F	1016L145F	1016L146F	1016L147F	1016L148F	1016L149F	1016L150F
	M~>	15SV13FL110	15SV15FL150	15SV17FL150							
	T~>	1016L152F	1016L154F	1016L156F							

Single Unit and Kit

10	Sleeve F - T	166444030	166444050	166444070	166444090	166444110	166444130	166444150	166444170	166444190	166444210
		166444250	166444290	166444330							
11	Shaft A304	165051030	165051050	165051070	165051090	16505110B	165051130B	165051150B	165051170B	165051190B	165051210B
		165051250B	165051290B	165051330B							
31	Tie rods SVF Kit	KL22AB4	KL22AM5	KL22AM7	KL22AM9	KL22AB9	KL22AND	KL22ANF	KL22ANH	KL22ANL	KL22ANN
		KL22ANS	KL22ANW	KL22ANX							

Motor, Coupling, Motor Adaptor

Motor power kW >	3,0	4,0	4,0	5,5	5,5	7,5	7,5	11,0	11,0	11,0
	11,0	15,0	15,0							

**1	kW ->	3,0	4,0	5,5	7,5	11,0	15,0
	Motor 2 P, 1~>						
	Motor 2 P, 3 ->	50002RF00	50008VG00	50013VE00	50017VB00	50019VE00	50024VB00
2	Adaptor	161470840	161470840	161470860	161470860	161470880	161470880
23	Lifting bracket	-	-	161441050	161441050	161441060	161441060
26	Coupling	KL10ABK	KL10ABK	KL10ABZ	KL10ABZ	KL10AB0	KL10AB0
27	Coupling guard	KL33AAT	KL33AAT	KL33AAU	KL33AAU	KL33AAU	KL33AAU

Wear Parts Kit

up to model (->)	->15SV06	->15SV11	->15SV17		
*34	Wear parts	1 bearing	2 bearing	3 bearing	
		KL35AEU	KL35AEV	KL35AEW	
	First spacer 15-22SV A316	162503932	162503932	162503932	Low NPSH spacer
	Impeller spacer 15-22SV A316	162503962	162503962	162503962	Low NPSH spacer
	Impeller screw A316	002617895	002617895	002617895	Screw M10X30 A4-70 Hex

Mechanical seal Kit : Mech seal D16 + OR

*20A	Materials->	Q1BEGG	KL01AAE	Std -> Seal Q1BEGG - sleeve OR EPDM / Unbalanced : 10-15-22SV < / = 4 kW
		Q1Q1EGG	KL01AC8	
		Q1BVGG	KL01AAH	
		Q1Q1VGG	KL01ADA	
		Q1CTGG	KL01ADC	
		Q1Q1TGG	KL01ADE	
*20	Materials->	Q1BEGG	KL01AD7	Std -> Seal Q1BEGG - upper holder OR EPDM / Balanced : 10-15-22SV = / > 5,5 kW
		Q1Q1EGG	KL01AD3	
		Q1BVGG	KL01AD2	
		Q1Q1VGG	KL01AD4	
		Q1CTGG	KL01AD9	
		Q1Q1TGG	KL01AEA	

Common, Single Unit and Kit

3	Base	161431350	-> 15-22SV
4	Plugs	EPDM	KL34AAT
		FPM	KL34AAL
		FEP	KL34AAM
5	Upper holder	-	Up to 4,0 kW included
		160103710	Over 5,5 kW
		160103730	Part with hole for tap
*9	Impeller 15SV A304	150703640	
	First impeller 15-22SV A316	150703722	Low NPSH impeller
13	Seal housing disc	150102940	Up to 4,0 kW included
		150102960	Over 5,5 kW
14	Pump body	151302600	
15	Diffuser	152803150	
16	Last stage diffuser	152803050	
17	First stage box	152803332	Low NPSH stage
*21	OR	EPDM	KL02AA4
		FPM	KL02AA5
		FEP	KL02AA6
24	Motor flange	-	
25	Kit oval flange OR EPDM	-	
	Kit oval flange OR FPM	-	
30	Impellers retainer	KL41AA1	Unbalanced : 10-15-22SV < / = 4 kW
30	Bush seal kit	KL41AA1	Balanced : 10-15-22SV = / > 5,5 kW

* Recommended spare parts - Parti di ricambio consigliate

* Pièces détachées conseillées - Empfohlene Ersatzteile

** Motor spare parts: see motor lists - Parti di ricambio motore: vedi liste motore

** Pièces détachées Moteur : voir listes moteur - Motor-Ersatzteile: gem. Motorlisten

1-22SVFL 5 June12 EDA

Production date > June 2012

22SVFL 2 Pole

ELP 2P		22SV02FL030	22SV03FL040	22SV04FL055	22SV05FL055	22SV06FL075	22SV07FL110	22SV08FL110	22SV09FL110	22SV10FL110	22SV12FL150
F Version	M ~>										
	T ~>	1016L162F	1016L163F	1016L164F	1016L165F	1016L166F	1016L167F	1016L168F	1016L169F	1016L170F	1016L172F
		22SV14FL150	22SV17FL185								
	M ~>										
	T ~>	1016L174F	1016L177F								

Single Unit and Kit

10	Sleeve F-T	166444030 166444270	166444050 166444330	166444070	166444090	166444110	166444130	166444150	166444170	166444190	166444230
11	Shaft A304	165051030 165051270B	165051050 165051330B	165051070	165051090B	165051110B	165051130B	165051150B	165051170B	165051190B	165051230B
31	Tie rods SVF Kit	KL22AB4 KL22ANU	KL22AM5 KL22ANX	KL22AM7	KL22AM9	KL22AB9	KL22AND	KL22ANF	KL22ANH	KL22ANL	KL22ANQ

Motor, Coupling, Motor Adaptor

Motor power kW >	3,0	4,0	5,5	5,5	7,5	11,0	11,0	11,0	11,0	15,0
	15,0	18,5								

**1 kW ->	3,0	4,0	5,5	7,5	11,0	15,0	18,5
Motor 2 P, 1~>							
Motor 2 P, 3~>	50002RF00	50008VG00	50013VE00	50017VB00	50019VE00	50024VB00	50025VB00
2 Adaptor	161470840	161470840	161470860	161470860	161470880	161470880	161470880
23 Lifting bracket	-	-	161441050	161441050	161441060	161441060	161441060
26 Coupling	KL10ABK	KL10ABK	KL10ABZ	KL10ABZ	KL10AB0	KL10AB0	KL10AB0
27 Coupling guard	KL33AAT	KL33AAU	KL33AAU	KL33AAU	KL33AAU	KL33AAU	KL33AAU

Wear Parts Kit

	->22SV06	->22SV11	->22SV17	
up to model (->)	1 bearing	2 bearing	3 bearing	
*34 Wear parts	KL35AEU	KL35AEV	KL35AEW	
First spacer 15-22SV A316	162503932	162503932	162503932	Low NPSH spacer
Impeller spacer 15-22SV A316	162503962	162503962	162503962	Low NPSH spacer
Impeller screw A316	002617895	002617895	002617895	Screw M10X30 A4-70 Hex

Mechanical seal Kit : Mech seal D16 + OR

*20A	Materials->	Q1BEGG Q1Q1EGG Q1BVGG Q1Q1VGG Q1CTGG Q1Q1TGG	KL01AAE KL01AC8 KL01AAH KL01ADA KL01ADC KL01ADE	Std -> Seal Q1BEGG - sleeve OR EPDM / Unbalanced : 10-15-22SV < / = 4 kW
*20	Materials->	Q1BEGG Q1Q1EGG Q1BVGG Q1Q1VGG Q1CTGG Q1Q1TGG	KL01AD7 KL01AD3 KL01AD2 KL01AD4 KL01AD9 KL01AEA	Std -> Seal Q1BEGG - upper holder OR EPDM / Balanced : 10-15-22SV = / > 5,5 kW

Common, Single Unit and Kit

3	Base	161431350	-> 15-22SV
4	Plugs	EPDM FPM FEP	KL34AAT KL34AAL KL34AAM
5	Upper holder	- 160103710 160103730	Up to 4,0 kW included Over 5,5 kW Part with hole for tap
*9	Impeller 22SV A304	150703650	
	First impeller 15-22SV A316	150703722	Low NPSH impeller
13	Seal housing disc	150102940 150102960	Up to 4,0 kW included Over 5,5 kW
14	Pump body	151302600	
15	Diffuser	152803150	
16	Last stage diffuser	152803050	
17	First stage box	152803332	Low NPSH stage
*21	OR	EPDM FPM FEP	KL02AA4 KL02AA5 KL02AA6
24	Motor flange	-	
25	Kit oval flange OR EPDM	-	
	Kit oval flange OR FPM	-	
30	Impellers retainer	KL41AAY	Unbalanced : 10-15-22SV < / = 4 kW
30	Bush seal kit	KL41AA1	Balanced : 10-15-22SV = / > 5,5 kW

* Recommended spare parts - Parti di ricambio consigliate

* Pièces détachées conseillées - Empfohlene Ersatzteile

** Motor spare parts: see motor lists - Parti di ricambio motore: vedi liste motore

** Pièces détachées Moteur : voir listes moteur - Motor-Ersatzteile: gem. Motorlisten

1-22SVFL 5 June12 EdA