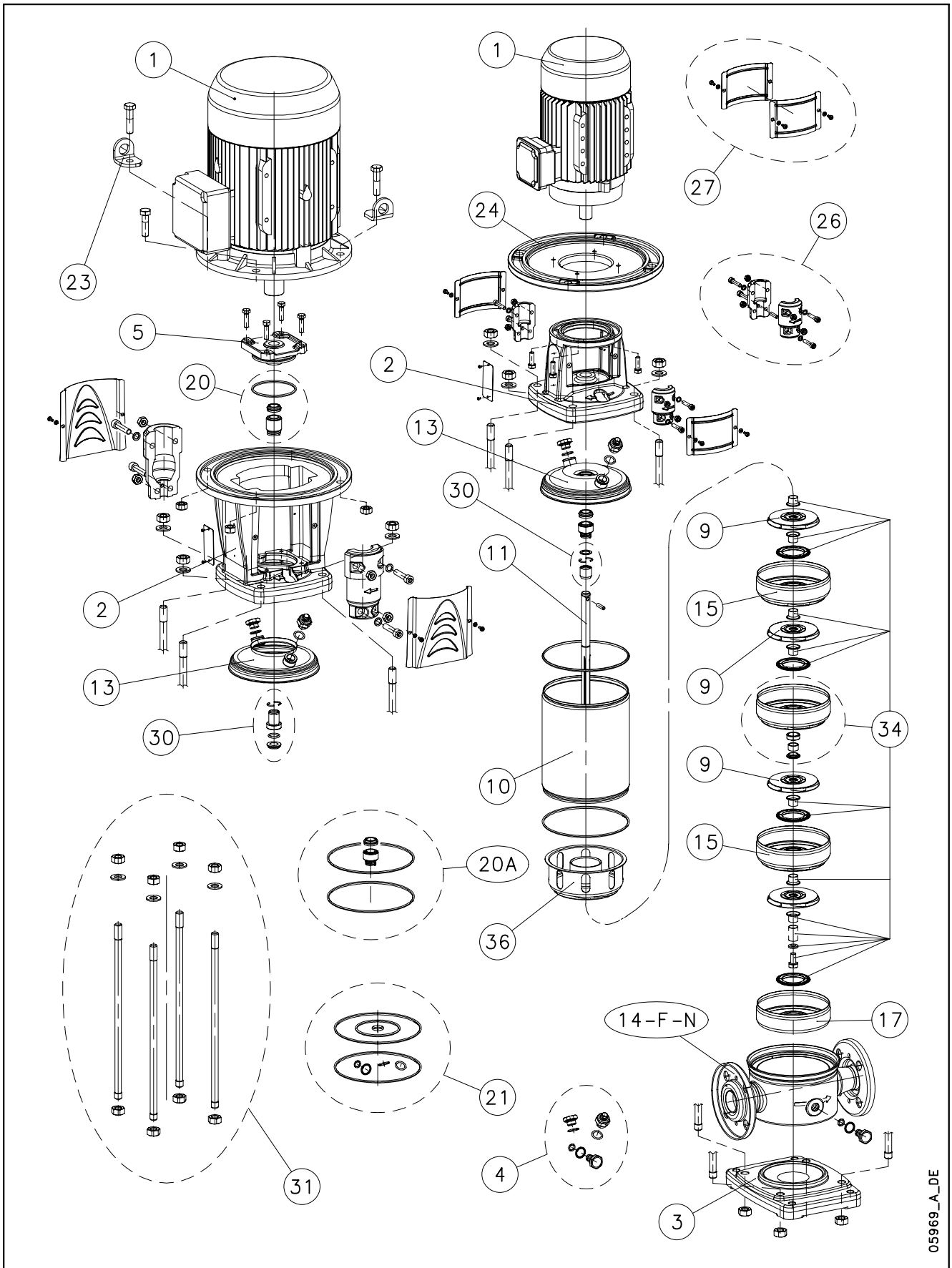


## 1, 3, 5, 10, 15, 22 SV.H (150°C)



05969\_A\_DE

Lowara, Vogel Pumpen are trademarks of Xylem Inc. or one of its subsidiaries. Goulds is a registered trademark of Goulds Pumps, Inc. and is used under license.

N.	Descrizione It	Description en	Description fr	Beschreibung de	Descripción es	Descrição pt
	1-22SV..H (150 °C)					
1	Motore	Motor	Moteur	Motor	Motor	Motor
2	Lanterna	Adaptor	Lanterne	Motorlaterne	Adaptador	Adaptador
3	Base	Basement	Base	Untersatz	Base	Base
4	Tappi	Plugs	Bouchons	Stopfen	Tapones	Tampões
5	Portatenuta superiore	Upper holder	Disque supérieure	Oberer dichtungsdeckel	Disco superior	Disco superior
9	Girante	Impeller	Roue	Laufrad	Rodete	Impulsor
10	Camicia	Sleeve	Chemise	Gehäuse	Camisa	Camisa
11	Albero	Shaft	Arbre	Welle	Árbol	Veio
13	Disco porta tenuta	Seal housing disc	Disque de garniture	Dichtungsdeckel	Disco de alojamiento sello	Disco porta-vedante
14	Corpo pompa	Pump body	Corps de pompe	Pumpengehäuse	Caja bomba	Corpo da bomba
15	Diffusore	Diffuser	Diffuseur	Diffusor	Difusor	Difusor
17	Scatola stadio iniziale	Initial stage box	Box premier étage	Erste Stufe Diffusor	Caja etapa inicial	Carcaça primeira célula
20 - 20A	Kit tenuta mecc. + OR	Mechanical seal + OR kit	Kit garniture mec. + joints toriques	Gleitringdichtung + O-Ring [Satz]	Kit sello mec. + junta tórica	Kit vedante mec. + OR
21	Kit guarnizioni OR	O ring kit	Kit joints toriques	Dichtungssatz	Kit juntas tóricas	Kit guarnições OR
23	Staffa sollevamento	Lifting bracket	Support de levage	Hebeösen	Soporte de elevación	Suporte de suspensão
24	Flangia motore	Motor flange	Bride moteur	Motorflansch	Brida motor	Flange motor
26	Kit coppia di semigiunti	Pair of half coupling kit	Kit paire de demi-manchons	Kupplung [Satz]	Kit par de semijuntas	Kit par de semi-juntas
27	Kit protezione giunto	Coupling guard kit	Kit protection manchon	Kupplungsschutz [Satz]	Kit protección junta	Kit protecção junta
30	Kit bussola tenuta	Bush seal kit	Kit douille garniture	Gleitringdichtungsarretierung und mitnehmer	Kit casquillo sello	kit bucha vedante
31	Kit tiranti	Tie rods kit	Kit tirants	Zugstangen [Satz]	Kit tirantes	Kit tirantes
34	Kit parti di usura	Wear parts kit	Kit parties d'usure	Verschleißteile [Satz]	Kit piezas de desgaste	Kit peças desgastáveis
36	Diffusore finale HT	Final diffuser HT	Diffuseur dernier étage HT	Enddiffusor HT	Difusor final HT	Difusor final HT
HT	Alta Temperatura	High Temperature	Haute Température	Hochtemperatur	Altas Temperaturas	Temperatura Elevada
N.	Beschrijving nl	Περιγραφή el	Açıklama tr	Kuvaus fi	Описание ru	Opis pl
	1-22SV..H (150 °C)					
1	Motor	Πλήρης κινητήρας	Motor	Moottori	Двигатель	Silnik
2	Lantaarnstuk	Μπρακέτο	Adaptör	Sovitin	Крестовина	Piasta
3	Pompvoet	Βάση	Kaide	Perusta	Основание	Podstawa
4	Pluggen	Σετ ταπών	Tapalar	Tulpat	Пробки	Zatyczki
5	Bovenste plaat	Ανώτερος Δίσκος	Üst disk	Ylempi levy	Верхний держатель дисков	Tarcza górna
9	Waaier	στροφέιο	Pompa rotoru	Juoksupyörä	рабочее колесо	Wirnik
10	Mantel	Κέλυφος	Gömlek	Muhvi	Муфта	Plaszcz
11	As	Άξονας	Mil	Akseli	Вал	Wal
13	Dichtingssteunplaat	Δίσκος μηχανικού στυπιοθλίπτη	Sızdırmazlık elemanı disk	Tiivisteenn kannatuslevy	Пластина держателя прокладки	Tarcza uszczelki
14	Pomphuis	Σώμα αντλίας	Pompa gövdesi	Pumpun runko	Корпус насоса	Korpus pompy
15	Diffusor	Πτερύγιο εκτροπής	Difüzör	Diffusori	Диффузор	Dyfuzor
17	Kast eerste trap	Πρώτο πτερύγιο εκτροπής	İlk kademe kutusu	Ensivaiheen laatikko	Коробка начальной стадии	Skrzynka początkowego stadium
20-20A	Set mech. asafdichting + O-ring	Μηχανικός στυπιοθλίπτης και ροδέλες στεγανοποίησης	Mekanik salmastra kiti + O-Ring	Mek. tiiviste + O-rengassarja	Комплект мех.прокладки + OR	Zestaw uszcz. mech. + OR
21	Set O-ringafdichtingen	Σετ ροδέλες στεγανοποίησης	O-Ring kiti	O-rengassarja	Комплект кольцевых прокладок OR	Zestaw uszczelki OR
23	Hijs steun	Άρση αγκύλη	Dirsek Kaldırma	Nosto ylätuki	Подъемные кронштейн	Podnoszenia wspornik
24	Motorflens	Μπρακέτο κινητήρα	Motor flanşı	Moottorin laippa	Фланец двигателя	Końierz silnika
26	Set koppelingshelften	Σετ σταθερού συνδέσμου	Çift yarım manşon kiti	Liitinsarja	Комплект пары полумуфт	Zestaw pary półzłączy
27	Set koppelingsbescherming	Καλύμματα προστασίας σταθερού συνδέσμου	Manşon koruma kiti	Liitoksen suojuussarja	Комплект защиты муфт	Zestaw ochrony złączy
30	Set afdichtingsbus	Σετ κουζινέτου μηχανικού στυπιοθλίπτη	Sızdırmazlık elemanı burcu kiti	Holkki ja tiiviste	Комплект втулки уплотнения	Zestaw busoli uszczel.
31	Set trekstangen	Σετ ράβδων σύνδεσης	Gergi çubuğu kiti	Vetotankosarja	Комплект тяг	Zestaw napinaczy
34	Set slijtonderdelen	Σετ δακτυλίων τριβής	Aşınma parçaları kiti	Kulumisiosien sarja	Комплект изнашиваемых частей	Zestaw części podl. zużyciu
36	Diffusor laatste trap HT	Τελευταίο πτερύγιο εκτροπής HT	Son difüzör HT	Loppuvaiheen diffusori HT	Конечный диффузор HT	Dyfuzor końcowy HT
HT	Hoge Temperaturen	Υψηλής θερμοκρασίας	Yüksek isi	Korkea lämpötila	Высокая температура	Wysokiej Temperatury

## 1SV FH 2 Pole

Production date > June 2012

ELP 2 P		1SV02FH003	1SV03FH003	1SV04FH003	1SV05FH003	1SV06FH003	1SV07FH003	1SV08FH005	1SV09FH005	1SV10FH005	1SV11FH005
F Version	M ~>	1016L183H	1016L184H	1016L185H	1016L186H	1016L187H	1016L188H	1016L189H	1016L190H	1016L191H	1016L192H
	T ~>	1016L001H	1016L002H	1016L003H	1016L004H	1016L005H	1016L006H	1016L007H	1016L008H	1016L009H	1016L010H
M ~>	M ~>	1016L193H	1016L194H	1016L196H	1016L198H	1016L200H	1016L203H	1016L206H	1016L208H	1016L211H	1016L213H
	T ~>	1016LC11H	1016LC12H	1016LC14H	1016LC16H	1016LC18H	1016LC21H	1016LC24H	1016L011H	1016L021H	1016L031H
M ~>	M ~>	1016L215H	1016L218H								
	T ~>	1016L033H	1016L036H								

### Single Unit and Kit

10	Sleeve A304	166443040	166443060	166443070	166443080	166443100	166443120	166443140	166443150	166443160	166443180	
		166443200	166443220	166443240	166443280	166443310	166443360	166443400	166443440	166443480	166443520	
		166443550	166443600									
11	Shaft A304	165050040B	165050060B	165050070B	165050080B	165050100B	165050120B	165050140B	165050150B	165050160B	165050180B	
		165050200B	165050220B	165050240B	165050280B	165050310B	165050360B	165050400B	165050440B	165050480B	165050520B	
		165050550B	165050600B									
31	Tie rods SVF kit	KL22AK5	KL22AK6	KL22AK7	KL22AK8	KL22AK9	KL22ABP	KL22ALB	KL22ALC	KL22ALD	KL22ALE	
		KL22ABT	KL22ALG	KL22ALK	KL22ABW	KL22AMK	KL22ALQ	KL22AL2	KL22AL3	KL22ALV	KL22ALX	
		KL22AMQ	KL22AL5									

### Motor, Coupling, Motor adaptor

Motor power kW >	0,37	0,37	0,37	0,37	0,37	0,37	0,55	0,55	0,55	0,55
	0,75	0,75	0,75	1,1	1,1	1,1	1,5	1,5	1,5	2,2
	2,2	2,2								

**1	kW >	0,37	0,55	0,75	1,1	1,5	2,2
	Motor 2P, 1 ~>	107230020	107230040	107230100	107230120	107230180	50004HD00
	Motor 2P, 3 ~>	107230060	107230080	107234000	107234010	107234020	50001RD00
2	Adaptor	161470700	161470700	161470720	161470720	161470740	161470740
23	Lifting bracket	-	-	-	-	-	-
26	Coupling	KL10ABC	KL10ABC	KL10ABD	KL10ABD	KL10ABE	KL10ABE
27	Coupling guard	KL33AAM	KL33AAM	KL33AAN	KL33AAN	KL33AAP	KL33AAP

### Wear Parts kit

	-> 1SV10	-> 1SV20	-> 1SV27	-> 1SV35	-> 1SV38
up to model (->)	1 bearing	2 bearing	3 bearing	4 bearing	5 bearing
*34 Wear parts	KL35AEE	KL35AEF	KL35AEG	KL35AEH	KL35AEK

### Mech seal Kit : Seal + sleeve OR

*20A	Materials ->	Q1AEGG	KL01AES	Mech seal std Balanced HT D12 + OR HT
		Q1AVGG	KL01AET	
		Q1Q1VGG	KL01AED	

### Common, Single Unit and kit

3	Base	161431310	-> 1-3-5SVF
4	Plugs	EPDM HT	KL34AAX
		FPM	KL34AAL
5	Upper holder	-	
*9	Impeller 1SV A304	150703600	
13	Seal housing disc	150102920	
14	Pump body	151302320	-> 1-3SVF
15	Diffuser	152803110	
17	First stage box	152802910	
*21	OR	EPDM HT	KL02AB5
		FPM	KL02AA2
24	Motor flange	-	
30	Bush seal kit EPDM HT	KL41AA4	
		KL41AA5	
36	Final diffuser HT	152803352	

\* Recommended spare parts - Parti di ricambio consigliate

\* Pièces détachées conseillées - Empfohlene Ersatzteile

\*\* Motor spare parts: see motor lists - Parti di ricambio motore: vedi liste motore

\*\* Pièces détachées Moteur : voir listes moteur - Motor-Ersatzteile: gem. Motorlisten

1-22SVFH\_5\_June12\_Eda

## 3SV FH 2 Pole

ELP 2 P		3SV02FH003	3SV03FH003	3SV04FH003	3SV05FH005	3SV06FH005	3SV07FH007	3SV08FH007	3SV09FH011	3SV10FH011	3SV11FH011
F Version	M ~>	1016L223H	1016L224H	1016L225H	1016L226H	1016L227H	1016L228H	1016L229H	1016L230H	1016L231H	1016L232H
	T ~>	1016L042H	1016L043H	1016L044H	1016L045H	1016L046H	1016L047H	1016L048H	1016L049H	1016L050H	1016L051H
M ~>	M ~>	1016L233H	1016L234H	1016L235H	1016L237H	1016L240H	1016L242H	1016L244H	1016L246H		
	T ~>	1016LC52H	1016LC53H	1016LC54H	1016LC56H	1016L059H	1016L061H	1016L063H	1016L065H	1016L067H	1016L069H
M ~>	M ~>	3SV31FH030									
	T ~>	1016L071H									

### Single Unit and Kit

10	Sleeve A304	166443060 166443200 166443500	166443060 166443220	166443070 166443230	166443080 166443260	166443100 166443310	166443120 166443340	166443140 166443380	166443150 166443400	166443160 166443440	166443180 166443470
11	Shaft A304	165050060B 165050200B 165050500B	165050060B 165050220B	165050070B 165050230B	165050080B 165050260B	165050100B 165050310B	165050120B 165050340B	165050140B 165050380B	165050150B 165050400B	165050160B 165050440B	165050180B 165050470B
31	Tie rods SVF k	KL22AK6 KL22ABT KL22ALW	KL22AK6 KL22ALG	KL22AK7 KL22ALH	KL22AK8 KL22ALL	KL22AK9 KL22AMK	KL22ABP KL22ALP	KL22ALB KL22AL1	KL22ALC KL22AL2	KL22ALD KL22AL3	KL22ALE KL22ALU

### Motor, Coupling, Motor adaptor

Motor power kW >	0,37	0,37	0,37	0,55	0,55	0,75	0,75	1,1	1,1	1,1
	1,1	1,5	1,5	1,5	2,2	2,2	2,2	2,2	3,0	3,0
	3,0									

**1	kw >	0,37	0,55	0,75	1,1	1,5	2,2	3,0
	Motor 2P, 1 ~>	107230020	107230040	107230100	107230120	107230180	50004HD00	
	Motor 2P, 3 ~>	107230060	107230080	107234000	107234010	107234020	50001RD00	50002RF00
2	Adaptor	161470700	161470700	161470720	161470720	161470740	161470740	161470760
23	Lifting bracket	-	-	-	-	-	-	-
26	Coupling	KL10ABC	KL10ABC	KL10ABD	KL10ABD	KL10ABE	KL10ABE	KL10ABF
27	Coupling guard	KL33AAM	KL33AAM	KL33AAN	KL33AAN	KL33AAP	KL33AAP	KL33AAQ

### Wear Parts kit

	- > 3SV10	- > 3SV20	- > 3SV27	- > 3SV31
up to model (- >)	1 bearing	2 bearing	3 bearing	4 bearing
*34 Wear parts	KL35AEE	KL35AEF	KL35AEG	KL35AEH

### Mech seal Kit : Seal + sleeve OR

*20A	Materials ->	Q1AEGG	KL01AES	Mech seal std Balanced HT D12 + OR HT
		Q1AVGG	KL01AET	
		Q1Q1VGG	KL01AED	

### Common, Single Unit and kit

3	Base	161431310	-> 1-3-5SVF-R
4	Plugs	EPDM HT	KL34AAX
		FPM	KL34AAL
5	Upper holder	-	
*9	Impeller 3SV A304	150703610	
13	Seal housing disc	150102920	
14	Pump body	151302320	
15	Diffuser	152803110	
17	First stage box	152802910	
*21	OR	EPDM HT	KL02AB5
		FPM	KL02AA2
24	Motor flange	-	
30	Bush seal kit EPDM HT	KL41AA3	
		KL41AA5	
36	Final diffuser HT	152803352	

\* Recommended spare parts - Parti di ricambio consigliate

\* Pièces détachées conseillées - Empfohlene Ersatzteile

\*\* Motor spare parts: see motor lists - Parti di ricambio motore: vedi liste motore

\*\* Pièces détachées Moteur : voir listes moteur - Motor-Ersatzteile: gem. Motorlisten

## 5SV FH 2 Pole

ELP 2 P		5SV02FH003	5SV03FH005	5SV04FH005	5SV05FH007	5SV06FH011	5SV07FH011	5SV08FH011	5SV09FH015	5SV10FH015	5SV11FH015
F Version	M ~>	1016L251H	1016L252H	1016L253H	1016L254H	1016L255H	1016L256H	1016L257H	1016L258H	1016L259H	1016L260H
	T ~>	1016L079H	1016L080H	1016L081H	1016LC82H	1016LC83H	1016LC84H	1016LC85H	1016LC86H	1016LC87H	1016LC88H
		<b>5SV12FH022</b>	<b>5SV13FH022</b>	<b>5SV14FH022</b>	<b>5SV15FH022</b>	<b>5SV16FH022</b>	<b>5SV18FH030</b>	<b>5SV21FH030</b>	<b>5SV23FH040</b>	<b>5SV25FH040</b>	<b>5SV28FH040</b>
M ~>		1016L261H	1016L262H	1016L263H	1016L264H	1016L265H					
T ~>		1016L089H	1016L090H	1016L091H	1016L092H	1016L093H	1016L095H	1016L098H	1016L100H	1016L102H	1016L105H
		<b>5SV30FH055</b>									
M ~>											
T ~>		1016L107H									

### Single Unit and Kit

10	Sleeve A304	166443050	166443070	166443080	166443110	166443130	166443150	166443170	166443190	166443210	166443230	
		166443240	166443270	166443290	166443310	166443320	166443370	166443430	166443470	166443510	166443560	
		162503610										
11	Shaft A304	165050050B	165050070B	165050080B	165050110B	165050130B	165050150B	165050170B	165050190B	165050210B	165050230B	
		165050240B	165050270B	165050290B	165050310B	165050320B	165050370B	165050430B	165050470B	165050510B	165050560B	
		165050610B										
31	Tie rods SV	KL22AL8	KL22AK7	KL22AK8	KL22AMA	KL22AMB	KL22ALC	KL22AMC	KL22AMD	KL22AME	KL22ALH	
		KL22ALK	KL22AMG	KL22AMH	KL22AMK	KL22ALN	KL22AMU	KL22AMV	KL22ALU	KL22AMW	KL22AL4	
		KL22AM0										

### Motor, Coupling, Motor adaptor

Motor power kW >	0,37	0,55	0,55	0,75	1,1	1,1	1,1	1,5	1,5	1,5
	2,2	2,2	2,2	2,2	2,2	3,0	3,0	4,0	4,0	4,0
	5,5									

**1	kW >	0,37	0,55	0,75	1,1	1,5	2,2	3,0	4,0	5,5
	Motor 2P, 1 ~>	<b>107230020</b>	107230040	<b>107230100</b>	107230120	<b>107230180</b>	50004HD00			
	Motor 2P, 3 ~>	<b>107230060</b>	107230080	<b>107234000</b>	107234010	<b>107234020</b>	50001RD00	<b>50002RF00</b>	50008VG00	50013VE00
2	Adaptor	161470700	161470700	161470720	161470720	161470740	161470740	161470760	161470760	161470760
23	Lifting bracket	-	-	-	-	-	-	-	-	161441050
26	Coupling	KL10ABC	KL10ABC	KL10ABD	KL10ABD	KL10ABE	KL10ABE	KL10ABF	KL10ABF	KL10ABY
27	Coupling guard	KL33AAM	KL33AAM	KL33AAN	KL33AAN	KL33AAP	KL33AAP	KL33AAQ	KL33AAQ	KL33AAQ

### Wear Parts kit

up to model (->)	-> 5SV08	-> 5SV16	-> 5SV22	-> 5SV28	-> 5SV30	
*34	Wear parts	1 bearing	2 bearing	3 bearing	4 bearing	5 bearing
		KL35AEL	KL35AEM	KL35AEN	KL35AEP	KL35AEQ

### Mech seal Kit : Seal + sleeve OR

*20A	Materials ->	<b>Q1AEGG</b>	KL01AES	Mech seal std Balanced HT D12 + OR HT
		<b>Q1AVGG</b>	KL01AET	
		<b>Q1Q1VGG</b>	KL01AED	

### Common, Single Unit and kit

3	Base	161431310	-> 1-3-5SVF-R	
4	Plugs	EPDM HT	KL34AAX	Kit common with 1-22SV...B
		FPM	KL34AAL	
5	Upper holder	-		
*9	Impeller 5SV A304	150703620		
13	Seal housing disc	150102920		
14	Pump body	151302400	-> 5SVF	
15	Diffuser	152803120		
17	First stage box	152802920		
*21	OR	EPDM HT	KL02AB5	
		FPM	KL02AA2	
24	Motor flange	161050700	1-3-5SV 5,5 kW	
30	Bush seal kit EPDM HT	KL41AA3		
	Bush seal kit FPM	KL41AA5		
36	Final diffuser HT	152803352		

\* Recommended spare parts - Parti di ricambio consigliate

\* Pièces détachées conseillées - Empfohlene Ersatzteile

\*\* Motor spare parts: see motor lists - Parti di ricambio motore: vedi liste motore

\*\* Pièces détachées Moteur : voir listes moteur - Motor-Ersatzteile: gem. Motorlisten

## 10SVFH 2 Pole

ELP 2P										
F Version	10SV01FH007	10SV02FH007	10SV03FH011	10SV04FH015	10SV05FH022	10SV06FH022	10SV07FH030	10SV08FH030	10SV09FH040	10SV10FH040
M->	1016L269H	1016L270H	1016L271H	1016L272H	1016L273H	1016L274H				
T->	1016LD15H	1016LD16H	1016LD17H	1016LD18H	1016L119H	1016L120H	1016LD121H	1016L122H	1016L123H	1016L124H
	<b>10SV11FH040</b>	<b>10SV13FH055</b>	<b>10SV15FH055</b>	<b>10SV17FH075</b>	<b>10SV18FH075</b>	<b>10SV20FH075</b>				
M->										
T->	1016L125H	1016L127H	1016L129H	1016L131H	1016L132H	1016L134H				

### Single Unit and Kit

10	Sleeve F-T	166444020	166444020	166444030	166444040	166444060	166444070	166444080	166444100	166444110	166444120
		166444140	166444160	166444190	166444220	166444230	166444260				
11	Shaft A304	165051020B	165051020B	165051030B	165051040B	165051060B	165051070B	165051080B	165051100B	165051110B	165051120B
		165051140B	165051160B	165051190B	165051220B	165051230B	165051260B				
31	Tie rods SVF	KL22AM2	KL22AM2	KL22AB4	KL22AM4	KL22AM6	KL22AM7	KL22AM8	KL22ANA	KL22AB9	KL22ANC
		KL22ANE	KL22ANG	KL22ANL	KL22ANP	KL22ANQ	KL22ANT				

### Motor, Coupling, Motor Adaptor

Motor power kW >	0,75	0,75	1,1	1,5	2,2	2,2	3,0	3,0	4,0	4,0
	<b>4,0</b>	5,5	5,5	<b>7,5</b>	<b>7,5</b>	<b>7,5</b>				

**1	kW ->	<b>0,75</b>	<b>1,1</b>	<b>1,5</b>	<b>2,2</b>	<b>3,0</b>	<b>4,0</b>	<b>5,5</b>	<b>7,5</b>
	Motor 2 P, 1~>	<b>107230100</b>	<b>107230120</b>	107230180	50004HD00				
	Motor 2 P, 3->	<b>107234000</b>	107234010	<b>107234020</b>	50001RD00	<b>50002RF00</b>	50008VG00	50013VE00	50017VB00
2	Adaptor	161470800	161470800	161470820	161470820	161470840	161470840	161470860	161470860
23	Lifting bracket	-	-	-	-	-	-	161441050	161441050
26	Coupling	KL10ABG	KL10ABG	KL10ABH	KL10ABH	KL10ABK	KL10ABK	KL10ABZ	KL10ABZ
27	Coupling guard	KL33AAR	KL33AAR	KL33AAS	KL33AAS	KL33AAT	KL33AAT	KL33AAU	KL33AAU

### Wear Parts Kit

up to model (->)	->10SV09	->10SV16	->10SV20
	1 bearing	2 bearing	3 bearing
*34 Wear parts	KL35AER	KL35AES	KL35AET

### Mechanical seal Kit : Mech seal D16 + OR

*20	Materials->	<b>Q1AEGG</b>	KL01AEU	Std -> Seal Q1AEGG - sleeve OR EPDM HT / Balanced : 10-15-22SV < / = 4 kW
		<b>Q1AVGG</b>	KL01AEV	
		<b>Q1Q1VGG</b>	KL01AE4	
*20	Materials->	<b>Q1AEGG</b>	KL01AE5	Std -> Seal Q1AEGG - upper holder OR EPDM HT / Balanced : 10-15-22SV = / > 5,5 kW
		<b>Q1AVGG</b>	KL01AE6	
		<b>Q1Q1VGG</b>	KL01AD4	

### Common, Single Unit and Kit

3	Base	161431330	-> 10SV
4	Plugs	EPDM HT	KL34AAX
		FPM	KL34AAL
5	Upper holder	-	Up to 4,0 kW included
		160103710	Equal / Over 5,5 kW
		160103730	Part with hole for tap
*9	Impeller10 SV A304	150703630	
13	Seal housing disc	150102940	Up to 4,0 kW included
		150102960	Equal / Over 5,5 kW
14	Pump body	151302450	
15	Diffuser	152803130	
17	First stage box	152802930	
*21	OR	EPDM HT	KL02AB6
		FPM	KL02AA5
24	Motor flange	-	
30	Bush seal kit EPDM HT	KL41AA6	
	Bush seal kit FPM	KL41AA7	
36	Final diffuser	152803362	

\* Recommended spare parts - Parti di ricambio consigliate

\* Pièces détachées conseillées - Empfohlene Ersatzteile

\*\* Motor spare parts: see motor lists - Parti di ricambio motore: vedi liste motore

\*\* Pièces détachées Moteur : voir listes moteur - Motor-Ersatzteile: gem. Motorlisten

## 15SVFH 2 Pole

ELP 2P		15SV01FH01	15SV02FH02	15SV03FH03	15SV04FH04	15SV05FH04	15SV06FH05	15SV07FH05	15SV08FH07	15SV09FH07	15SV10FH10
F Version	M->	1016L278H	1016L279H								
	T->	1016LD40H	1016L141H	1016L142H	1016L143H	1016L144H	1016L145H	1016L146H	1016L147H	1016L148H	1016L149H
		15SV11FH10	15SV13FH10	15SV15FH10							
	M->										
	T->	1016L150H	1016L152H	1016L154H							

### Single Unit and Kit

10	Sleeve F - T	166444030	166444030	166444050	166444070	166444090	166444110	166444130	166444150	166444170	166444190
		166444210	166444250	166444290							
11	Shaft A304	165051030B	165051030B	165051050B	165051070B	165051090B	165051110B	165051130B	165051150B	165051170B	165051190B
		165051210B	165051250B	165051290B							
31	Tie rods SVF Kit	KL22AB4	KL22AB4	KL22AM5	KL22AM7	KL22AM9	KL22AB9	KL22AND	KL22ANF	KL22ANH	KL22ANL
		KL22ANN	KL22ANS	KL22ANW							

### Motor, Coupling, Motor Adaptor

Motor power	1,1	2,2	3,0	4,0	4,0	5,5	5,5	7,5	7,5	11,0
kW >	11,0	11,0	15,0							

**1	kW ->	1,1	2,2	3,0	4,0	5,5	7,5	11,0	15,0
	Motor 2 P, 1~>	107230120	50004HD00						
	Motor 2 P, 3->	107234010	50001RD00	50002RF00	50008VG00	50013VE00	50017VB00	50019VE00	50024VB00
2	Adaptor	161470800	161470820	161470840	161470840	161470860	161470860	161470880	161470880
23	Lifting bracket	-	-	-	-	161441050	161441050	161441060	161441060
26	Coupling	KL10ABG	KL10ABH	KL10ABK	KL10ABK	KL10ABZ	KL10ABZ	KL10AB0	KL10AB0
27	Coupling guard	KL33AAR	KL33AAS	KL33AAT	KL33AAT	KL33AAU	KL33AAU	KL33AAU	KL33AAU

### Wear Parts Kit

up to model (->)	->15SV06	->15SV11	->15SV15	
*34	Wear parts	1 bearing	2 bearing	3 bearing
		KL35AEU	KL35AEV	KL35AEW

### Mechanical seal Kit : Mech seal D16 + OR

*20A	Materials->	Q1AEGG	KL01AEU	Std -> Seal Q1AEGG - sleeve OR EPDM HT / Balanced : 10-15-22SV < / = 4 kW
		Q1AVGG	KL01AEV	
		Q1Q1VGG	KL01AE4	
*20	Materials->	Q1AEGG	KL01AE5	Std -> Seal Q1AEGG - upper holder OR EPDM HT / Balanced : 10-15-22SV = / > 5,5 kW
		Q1AVGG	KL01AE6	
		Q1Q1VGG	KL01AD4	

### Common, Single Unit and Kit

3	Base	161431350	-> 15-22SV
4	Plugs	EPDM HT	KL34AAX
		FPM	KL34AAL
5	Upper holder	-	Up to 4,0 kW included
		160103710	Equal / Over 5,5 kW
		160103730	Part with hole for tap
*9	Impeller 15SV A304	150703640	
13	Seal housing disc	150102940	Up to 4,0 kW included
		150102960	Equal / Over 5,5 kW
14	Pump body	151302600	
15	Diffuser	152803150	
17	First stage box	152802950	
*21	OR	EPDM HT	KL02AB6
		FPM	KL02AA5
24	Motor flange	-	
30	Bush seal kit EPDM HT	KL41AA6	
	Bush seal kit FPM	KL41AA7	
36	Final diffuser	152803372	

\* Recommended spare parts - Parti di ricambio consigliate

\* Pièces détachées conseillées - Empfohlene Ersatzteile

\*\* Motor spare parts: see motor lists - Parti di ricambio motore: vedi liste motore

\*\* Pièces détachées Moteur : voir listes moteur - Motor-Ersatzteile: gem. Motorlisten

## 22SVFH 2 Pole

ELP 2P		22SV01FH011	22SV02FH022	22SV03FH030	22SV04FH040	22SV05FH055	22SV06FH075	22SV07FH075	22SV08FH110	22SV09FH110	22SV10FH110
F Version	M->	1016L283H	1016L284H								
	T->	1016LD61H	1016L162H	1016L163H	1016L164H	1016L165H	1016L166H	1016L167H	1016L168H	1016L169H	1016L170H
		<b>22SV12FH150</b>	<b>22SV14FH150</b>								
	M->										
	T->	1016L172H	1016L174H								

### Single Unit and Kit

10	Sleeve F-T	166444030	166444030	166444050	166444070	166444090	166444110	166444130	166444150	166444170	166444190
		166444230	166444270								
11	Shaft A304	165051030B	165051030B	165051050B	165051070B	165051090B	165051110B	165051130B	165051150B	165051170B	165051190B
		165051230B	165051270B								
31	Tie rods SVF Kit	KL22AB4	KL22AB4	KL22AM5	KL22AM7	KL22AM9	KL22AB9	KL22AND	KL22ANF	KL22ANH	KL22ANL
		KL22ANQ	KL22ANU								

### Motor, Coupling, Motor Adaptor

Motor power kW >	1,1	2,2	3,0	4,0	5,5	7,5	7,5	11,0	11,0	11,0
	15,0	15,0								

**1 kW ->	1,1	2,2	3,0	4,0	5,5	7,5	11,0	15,0
Motor 2 P, 1~>	<b>107230120</b>	50004HD00						
Motor 2 P, 3->	<b>107234010</b>	50001RD00	<b>50002RF00</b>	50008VG00	50013VE00	50017VB00	50019VE00	50024VB00
2 Adaptor	161470800	161470820	161470840	161470840	161470860	161470860	161470880	161470880
23 Lifting bracket	-	-	-	-	161441050	161441050	161441060	161441060
26 Coupling	KL10ABG	KL10ABH	KL10ABK	KL10ABK	KL10ABZ	KL10ABZ	KL10ABO	KL10ABO
27 Coupling guard	KL33AAR	KL33AAS	KL33AAT	KL33AAU	KL33AAU	KL33AAU	KL33AAU	KL33AAU

### Wear Parts Kit

	->22SV06	->22SV11	->22SV15
up to model (->)	1 bearing	2 bearing	3 bearing
*34 Wear parts	KL35AEU	KL35AEV	KL35AEW

### Mechanical seal Kit : Mech seal D16 + OR

*20	Materials->	<b>Q1AEGG</b>	KL01AEU	Std -> Seal Q1AEGG - sleeve OR EPDM HT / Balanced : 10-15-22SV < / = 4 kW
		<b>Q1AVGG</b>	KL01AEV	
		<b>Q1Q1VGG</b>	KL01AE4	
*20	Materials->	<b>Q1AEGG</b>	KL01AE5	Std -> Seal Q1AEGG - upper holder OR EPDM HT / Balanced : 10-15-22SV = / > 5,5 kW
		<b>Q1AVGG</b>	KL01AE6	
		<b>Q1Q1VGG</b>	KL01AD4	

### Common, Single Unit and Kit

3	Base	161431350	-> 15-22SV
4	Plugs	EPDM HT	KL34AAX
		FPM	KL34AAL
5	Upper holder	-	Up to 4,0 kW included
		160103710	Equal / Over 5,5 kW
		160103730	Part with hole for tap
*9	Impeller 22SV A304	150703650	
13	Seal housing disc	150102940	Up to 4,0 kW included
		150102960	Equal / Over 5,5 kW
14	Pump body	151302600	
15	Diffuser	152803150	
17	First stage box	152802950	
*21	OR	EPDM HT	KL02AB6
		FPM	KL02AA5
24	Motor flange	-	
30	Bush seal kit EPDM HT	KL41AA6	
	Bush seal kit FPM	KL41AA7	
36	Final diffuser	152803372	

\* Recommended spare parts - Parti di ricambio consigliate

\* Pièces détachées conseillées - Empfohlene Ersatzteile

\*\* Motor spare parts: see motor lists - Parti di ricambio motore: vedi liste motore

\*\* Pièces détachées Moteur : voir listes moteur - Motor-Ersatzteile: gem. Motorlisten